



US00D610310S

(12) **United States Design Patent**
Helenowski

(10) **Patent No.:** **US D610,310 S**
(45) **Date of Patent:** **** Feb. 16, 2010**

(54) **COSMETIC HOLDER**

(76) Inventor: **Jacek Helenowski**, 4300 W. North Ave.,
Stone Park, IL (US) 60165

(**) Term: **14 Years**

(21) Appl. No.: **29/316,243**

(22) Filed: **Sep. 5, 2009**

Related U.S. Application Data

(62) Division of application No. 29/310,472, filed on Aug.
20, 2008, now Pat. No. Des. 602,637.

(51) **LOC (9) Cl.** **28-03**

(52) **U.S. Cl.** **D28/76**

(58) **Field of Classification Search** D28/64.3,
D28/73, 76, 85-90, 77; 132/314, 317, 318,
132/320; 206/385, 581, 823

See application file for complete search history.

(56) **References Cited**

U.S. PATENT DOCUMENTS

1,496,575 A	6/1924	Hanna
1,742,958 A	1/1930	Kaufman
1,875,650 A	9/1932	Pemberton et al.
2,094,006 A	9/1937	O'Moore-Farrell
2,185,149 A	12/1939	Hallbauer
2,258,542 A	10/1941	Cressaty
2,269,750 A	1/1942	Baird
2,494,375 A	1/1950	Bates et al.
2,512,476 A	6/1950	Birnkrant et al.
2,651,709 A	9/1953	Ross et al.
2,678,995 A	5/1954	Miller
2,779,344 A	1/1957	Hemmings et al.
3,163,364 A	12/1964	Ritter et al.
3,619,596 A	11/1971	Jackson
3,714,411 A	1/1973	Waters et al.
3,937,320 A	2/1976	Chao et al.
D243,124 S	1/1977	Horowitz
4,126,145 A	11/1978	Boyd
D276,471 S	11/1984	Lo
4,888,667 A	12/1989	Hwang
4,905,128 A	2/1990	Caires

D311,260 S *	10/1990	Hasert	D28/85
5,025,354 A	6/1991	Kondo		
5,034,658 A	7/1991	Hiering et al.		
5,036,441 A	7/1991	Herron		
5,178,478 A	1/1993	Ryder		
D354,373 S	1/1995	Khoury		
D386,828 S	11/1997	Pullman		
5,688,037 A	11/1997	Chen		
5,860,755 A	1/1999	Bunk		
D413,184 S *	8/1999	Cooper	D28/64.3
5,983,905 A	11/1999	Patching		
D424,244 S	5/2000	Gerbron		
6,224,236 B1	5/2001	Shu		
D467,039 S	12/2002	Fuller		
D468,059 S	12/2002	Fuller		
D471,324 S	3/2003	Kalin		
D473,974 S	4/2003	Fuller		
D480,513 S	10/2003	Fuller		

(Continued)

Primary Examiner—Jennifer Rivard

(74) *Attorney, Agent, or Firm*—Susan L. Lukasik

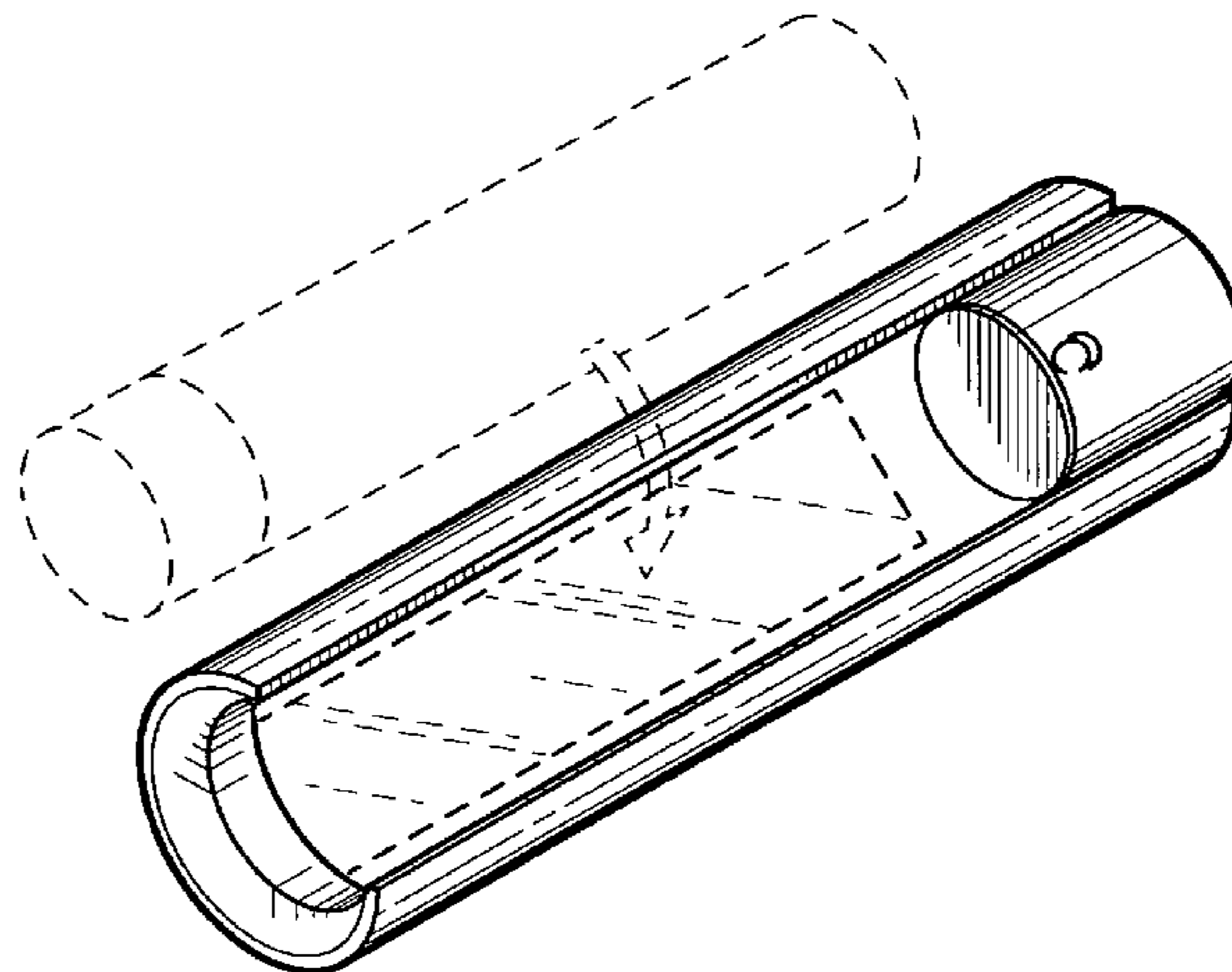
(57) **CLAIM**

I claim the ornamental design for a cosmetic holder, as shown
and described.

DESCRIPTION

FIG. 1 is a perspective view of a embodiment of an ornamen-
tal design for a cosmetic holder;
FIG. 2 is a right side elevation view thereof;
FIG. 3 is a top plan view thereof;
FIG. 4 is a bottom plan view thereof;
FIG. 5 is a rear elevation view thereof; and,
FIG. 6 is a left side elevation thereof.
The broken lines showing in FIG. 1 through FIG. 4 and FIG.
6 are presented for illustrative purposes only and form no part
of the claimed design.

1 Claim, 1 Drawing Sheet



US D610,310 S

Page 2

U.S. PATENT DOCUMENTS							
				6,991,345	B2	1/2006	Helenowski
				7,270,440	B2	9/2007	Levy et al.
D492,448	S *	6/2004	Gatti D28/85	D565,248	S	3/2008	Squirewell
6,789,972	B2	9/2004	Nadel	2002/0002758	A1	1/2002	Stura et al.
D505,519	S	5/2005	Korba				

* cited by examiner

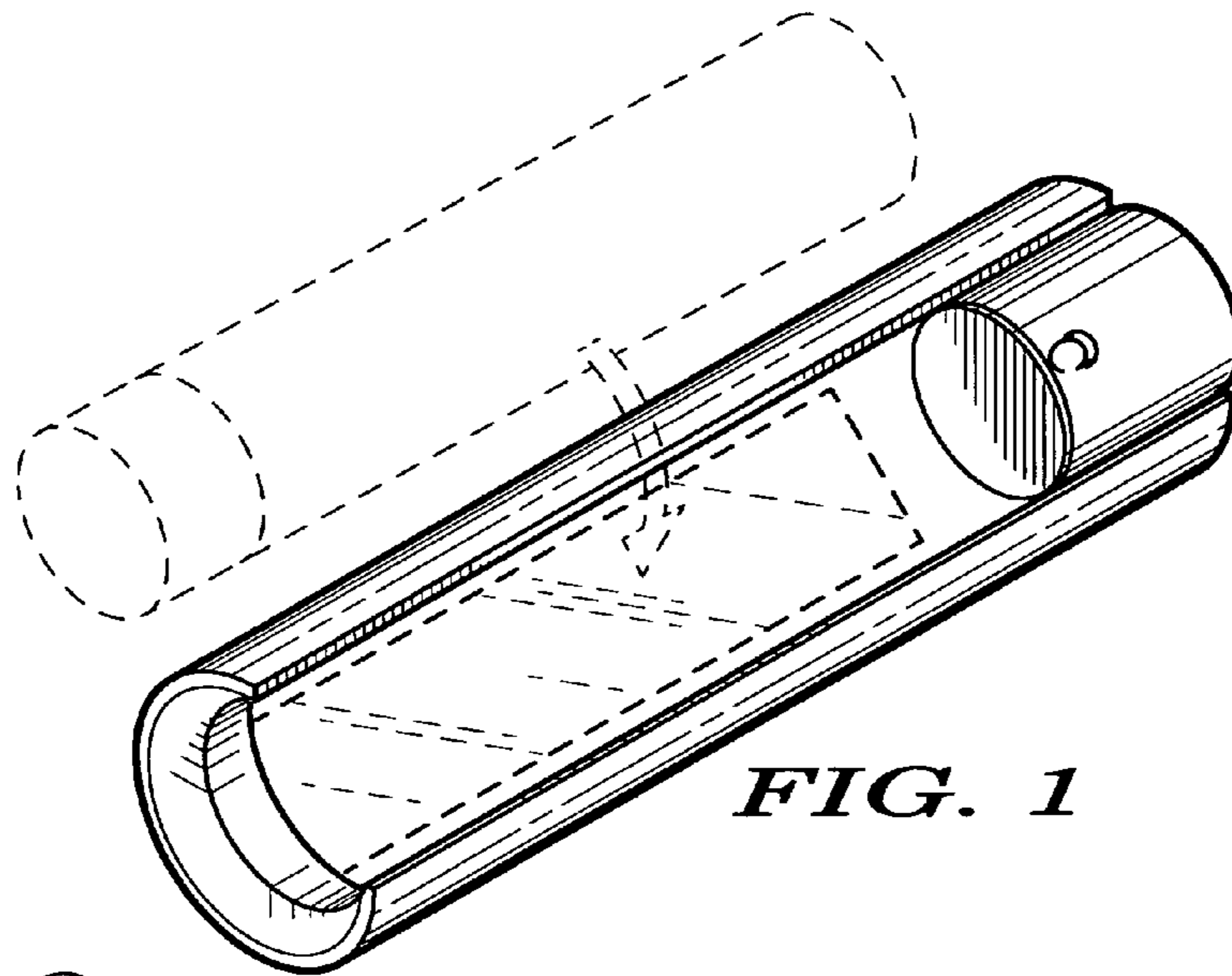


FIG. 1

FIG. 3

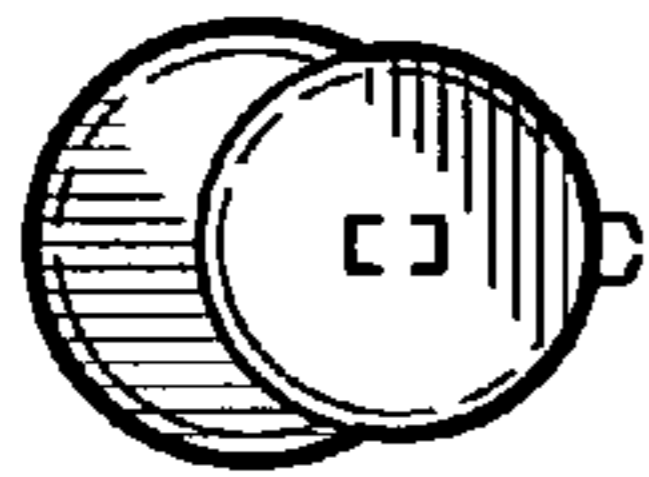


FIG. 2

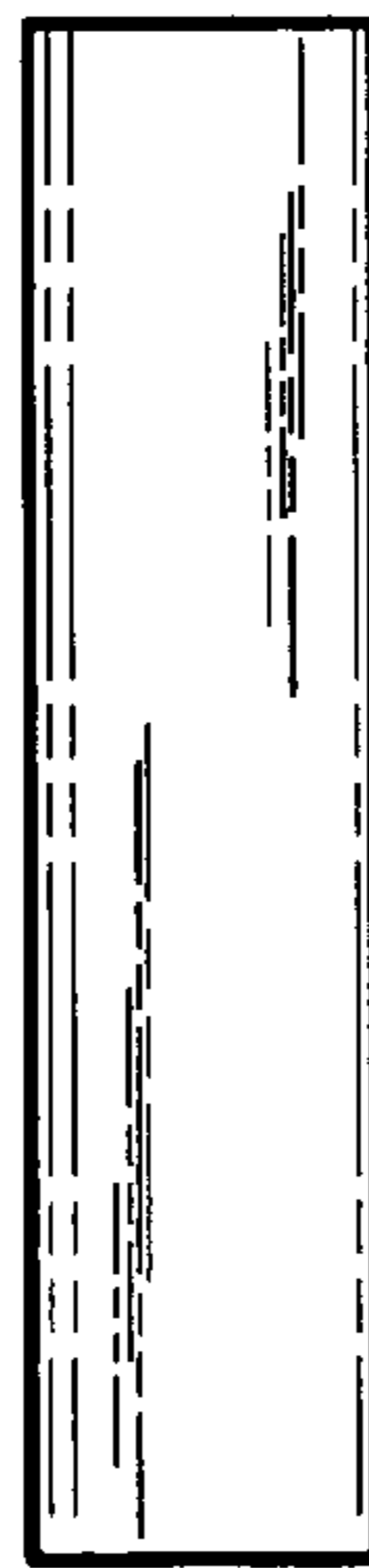


FIG. 5

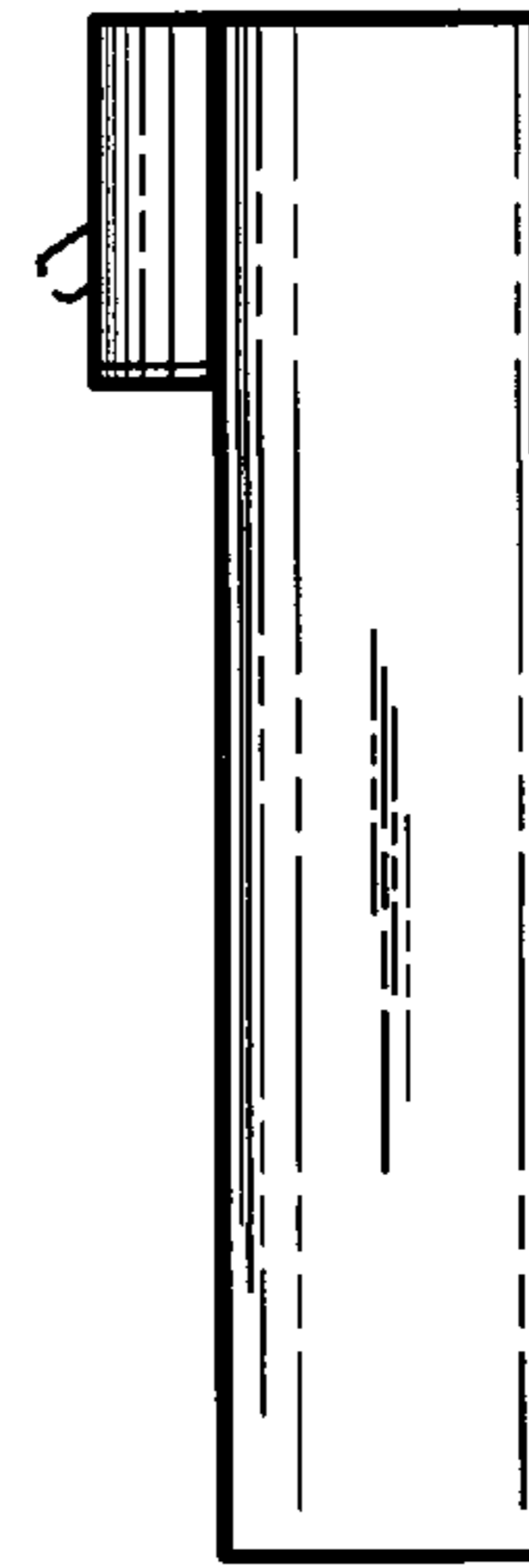


FIG. 6

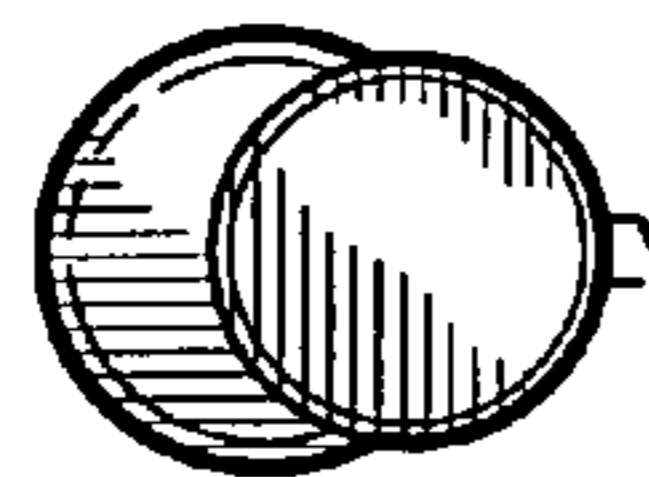


FIG. 4