



US00D610309S

(12) **United States Design Patent**
Nishizawa

(10) **Patent No.:** **US D610,309 S**
(45) **Date of Patent:** **** Feb. 16, 2010**

(54) **ELECTRIC SHAVER**

(75) Inventor: **Tsuyoshi Nishizawa**, Yokohama (JP)

(73) Assignee: **Panasonic Electric Works Co., Ltd.**,
Osaka (JP)

(**) Term: **14 Years**

(21) Appl. No.: **29/338,845**

(22) Filed: **Jun. 19, 2009**

(30) **Foreign Application Priority Data**

Dec. 19, 2008 (JP) 2008-032399

(51) **LOC (9) Cl.** **28-03**

(52) **U.S. Cl.** **D28/54**

(58) **Field of Classification Search** D28/44,
D28/44.1, 49-54; 30/32, 34.05, 34.1-34.2,
30/43-43.92, 44-45, 47-50, 537; 606/131,
606/133

See application file for complete search history.

(56) **References Cited**

U.S. PATENT DOCUMENTS

D407,532 S *	3/1999	Jacobs	D28/51
D511,398 S *	11/2005	Nishizawa	D28/49
D511,590 S *	11/2005	Nishizawa	D28/49
D514,254 S *	1/2006	Nishizawa	D28/49
D514,745 S *	2/2006	Nishizawa	D28/49
D537,205 S *	2/2007	Seki et al.	D28/49
D572,408 S *	7/2008	Nishizawa	D28/49
2004/0010919 A1	1/2004	Shiba et al.		
2006/0150421 A1	7/2006	Sato et al.		
2007/0022607 A1	2/2007	Takeuchi et al.		
2007/0245565 A1	10/2007	Sato et al.		

2009/0172948 A1 7/2009 Kitamura

FOREIGN PATENT DOCUMENTS

JP 2009-18058 1/2009

OTHER PUBLICATIONS

U.S. Appl. No. 29/338,843 to Nishizawa, filed Jun. 19, 2009.
English language Abstract of JP 2009-18058, Jan. 29, 2009.

* cited by examiner

Primary Examiner—Jennifer Rivard

(74) *Attorney, Agent, or Firm*—Greenblum & Bernstein
P.L.C.

(57) **CLAIM**

The ornamental design for an electric shaver, as shown and described.

DESCRIPTION

FIG. 1 is a perspective view of the front, right and top of an electric shaver;

FIG. 2 is a perspective view of the rear, left and top thereof;

FIG. 3 is a front view thereof;

FIG. 4 is a rear view thereof;

FIG. 5 is a right side view, a left side view being a mirror image thereof;

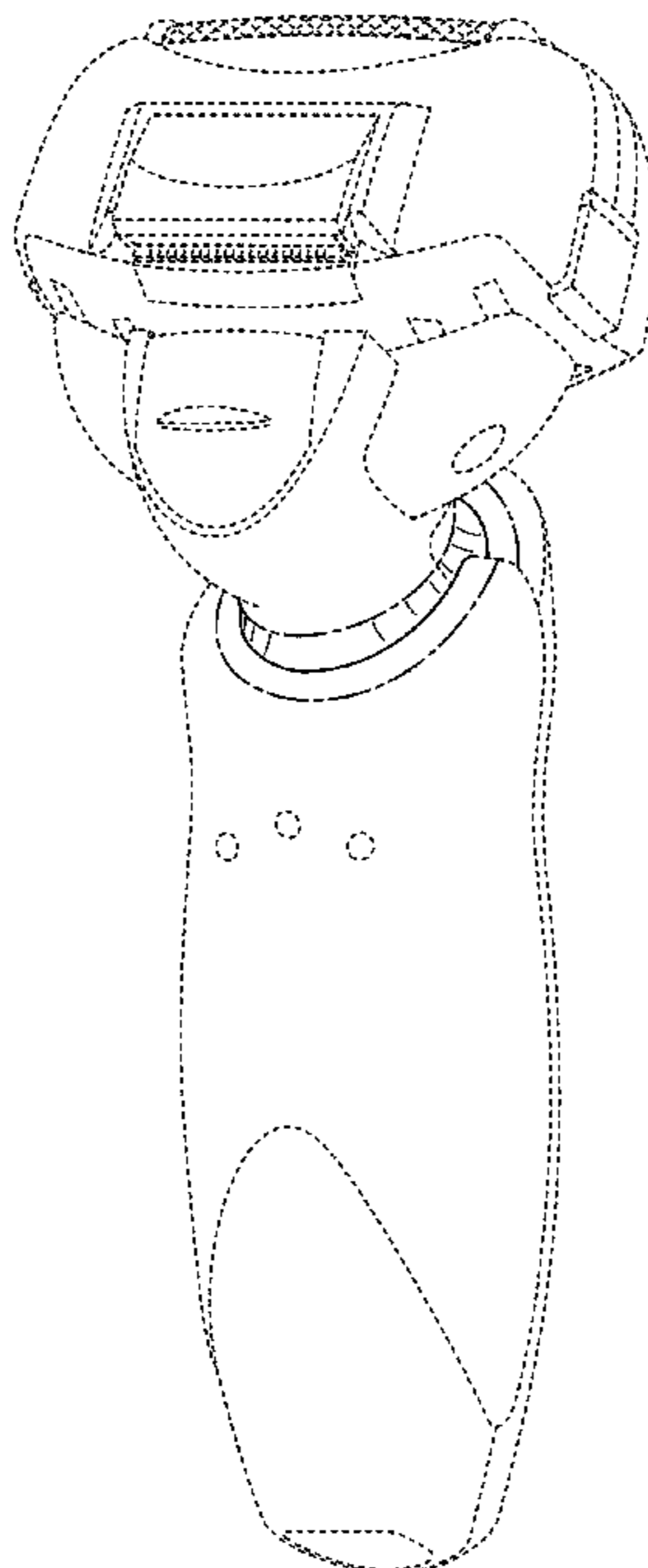
FIG. 6 is a top plan view thereof;

FIG. 7 is a bottom view thereof; and,

FIG. 8 is a cross sectional view at 8—8 in FIG. 3 thereof.

The elements shown in broken lines are for illustrative purposes only and form no part of the claimed design. The dash-dotted line shows a boundary between claimed portion and unclaimed portion.

1 Claim, 7 Drawing Sheets



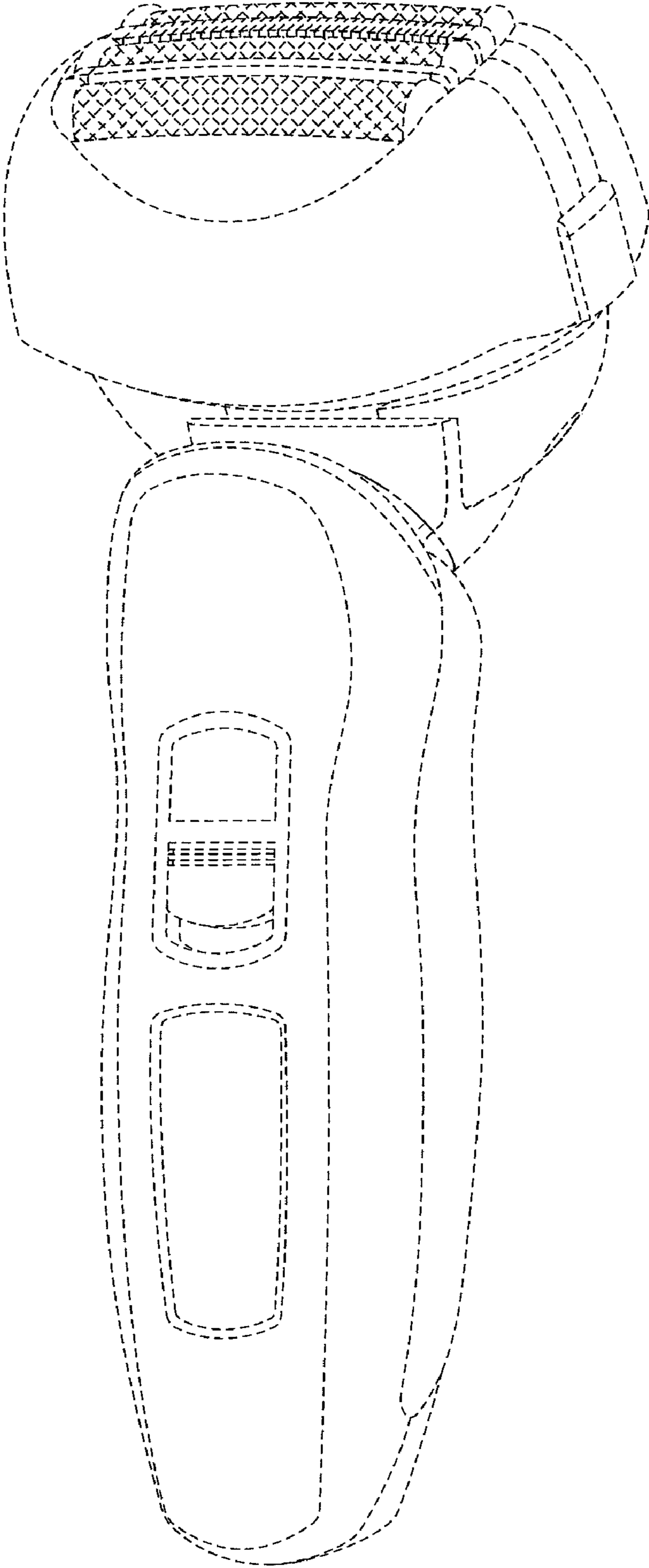


FIG. 1

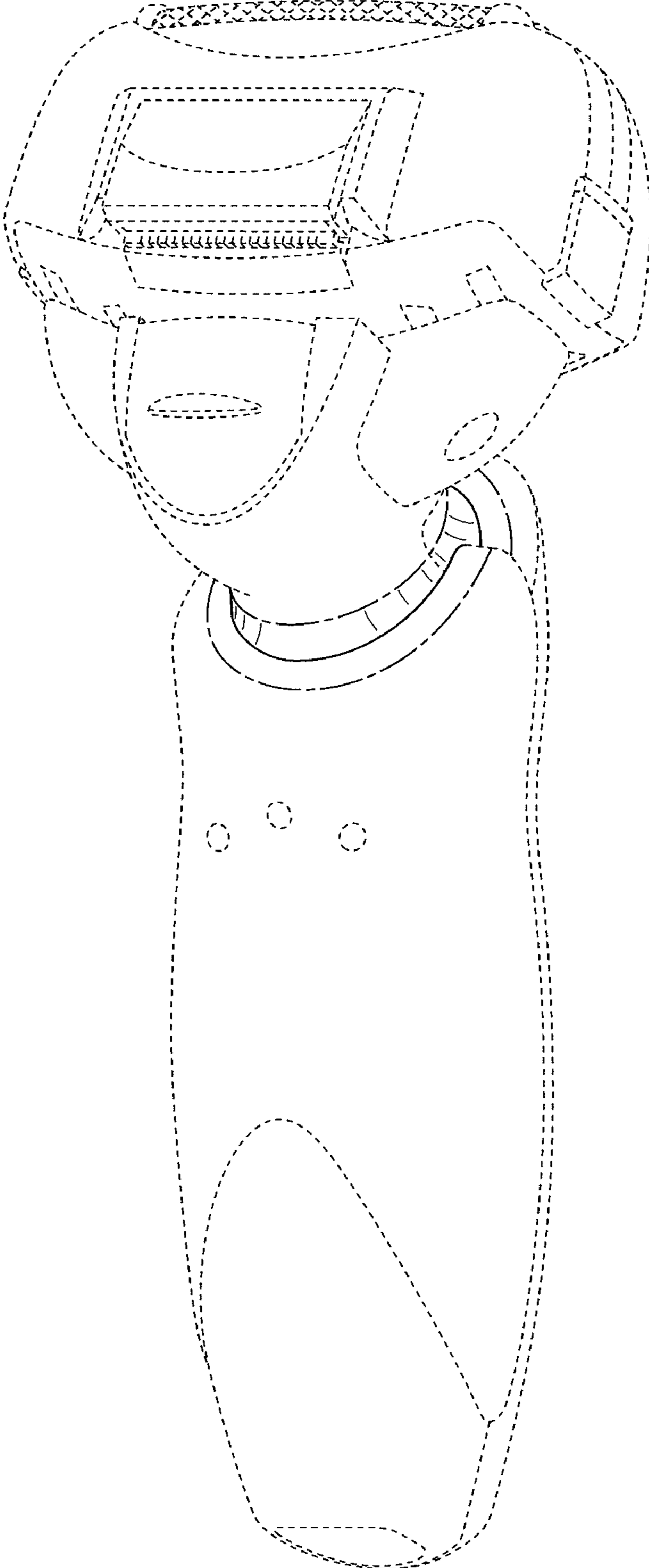


FIG. 2

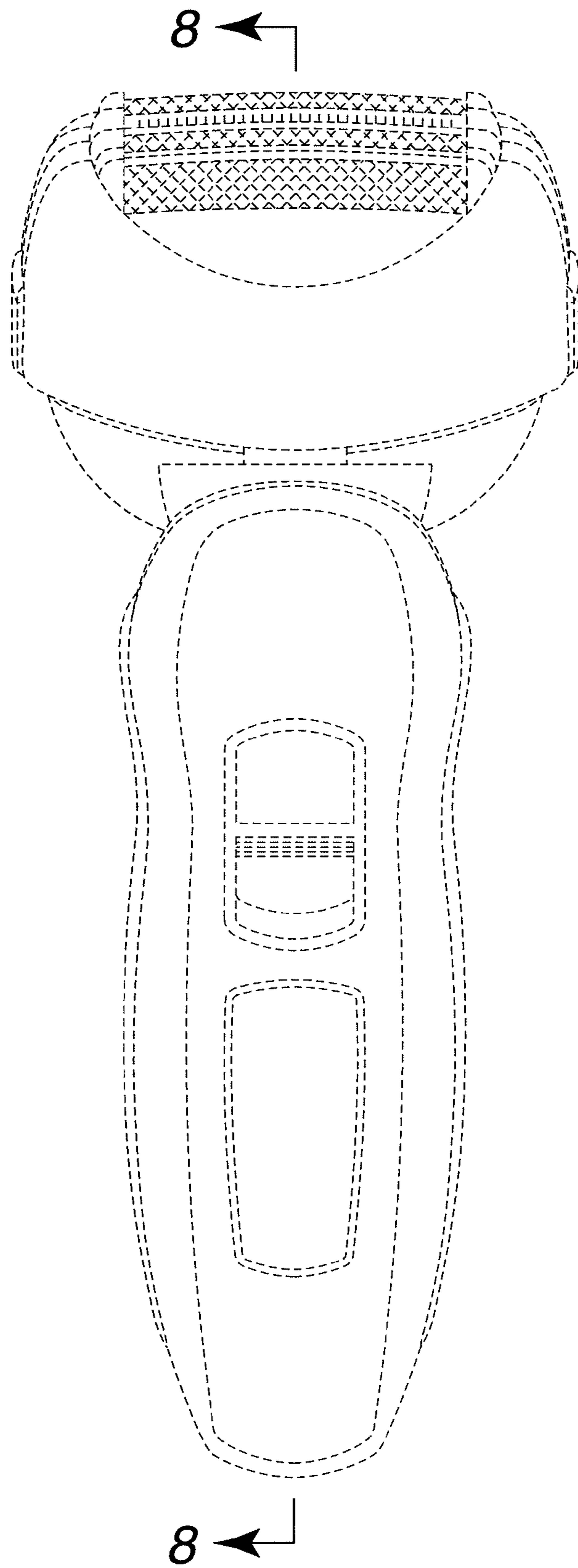


FIG. 3

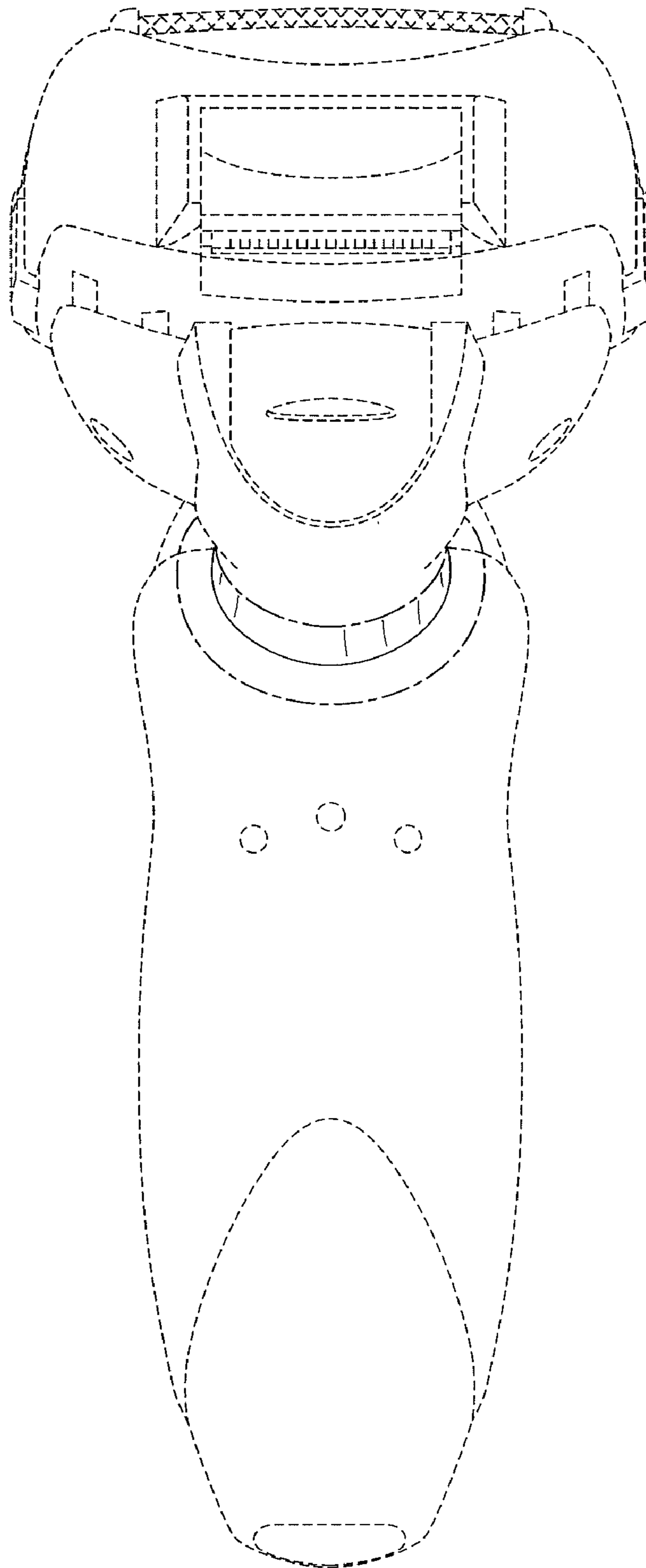


FIG. 4

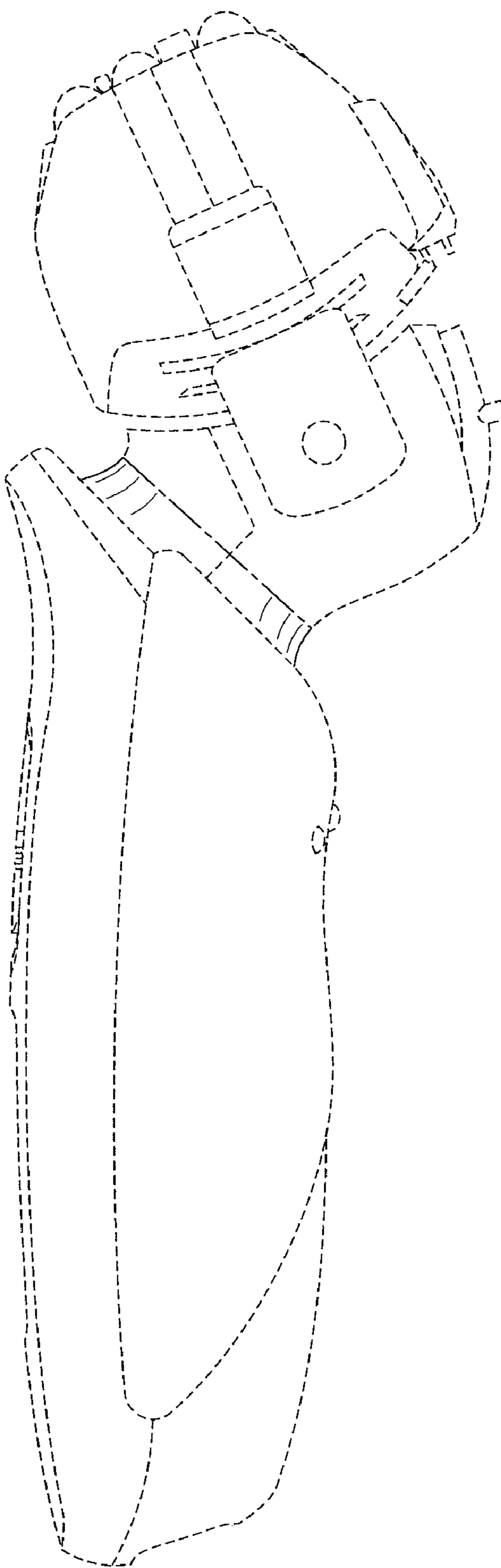


FIG. 5

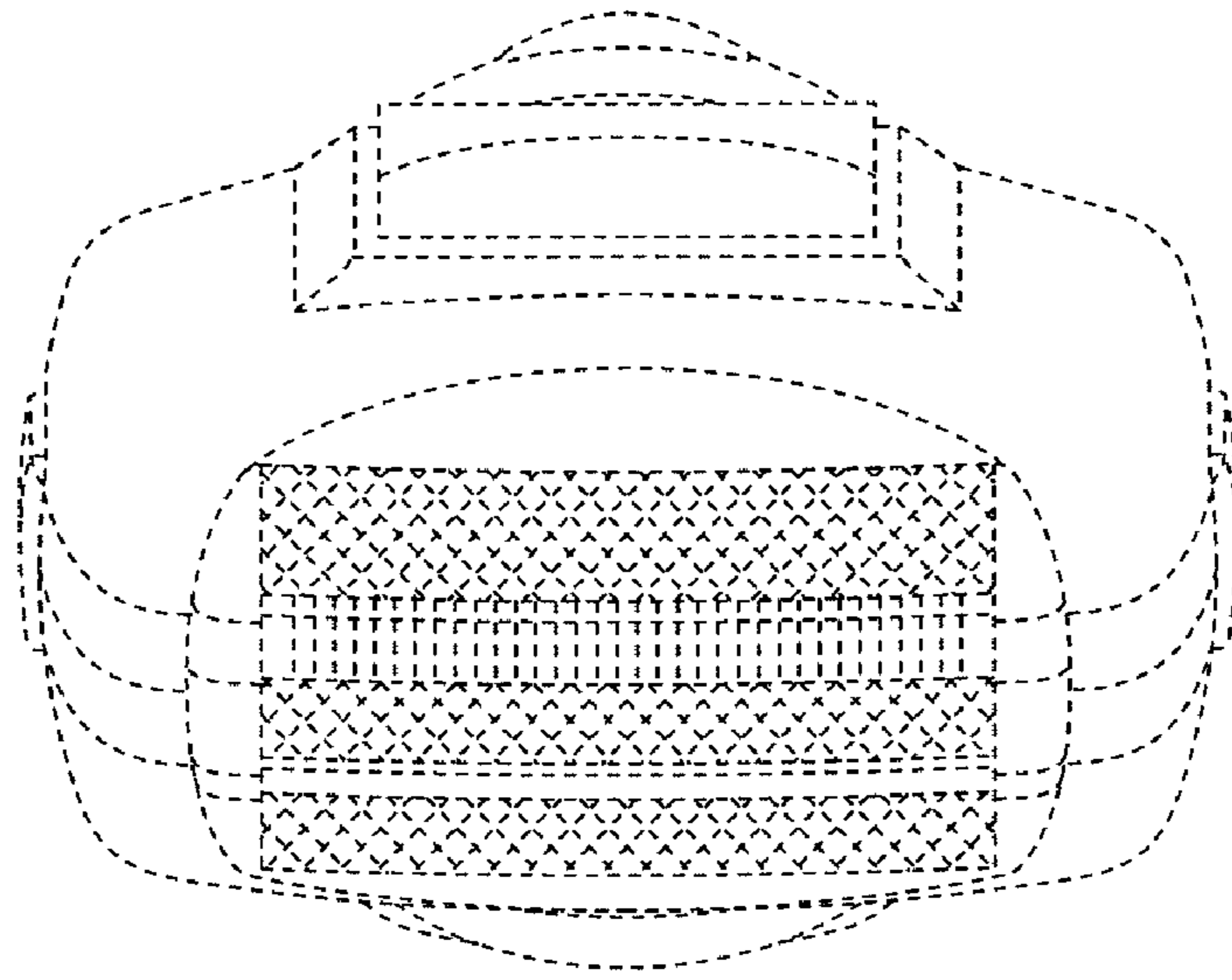


FIG. 6

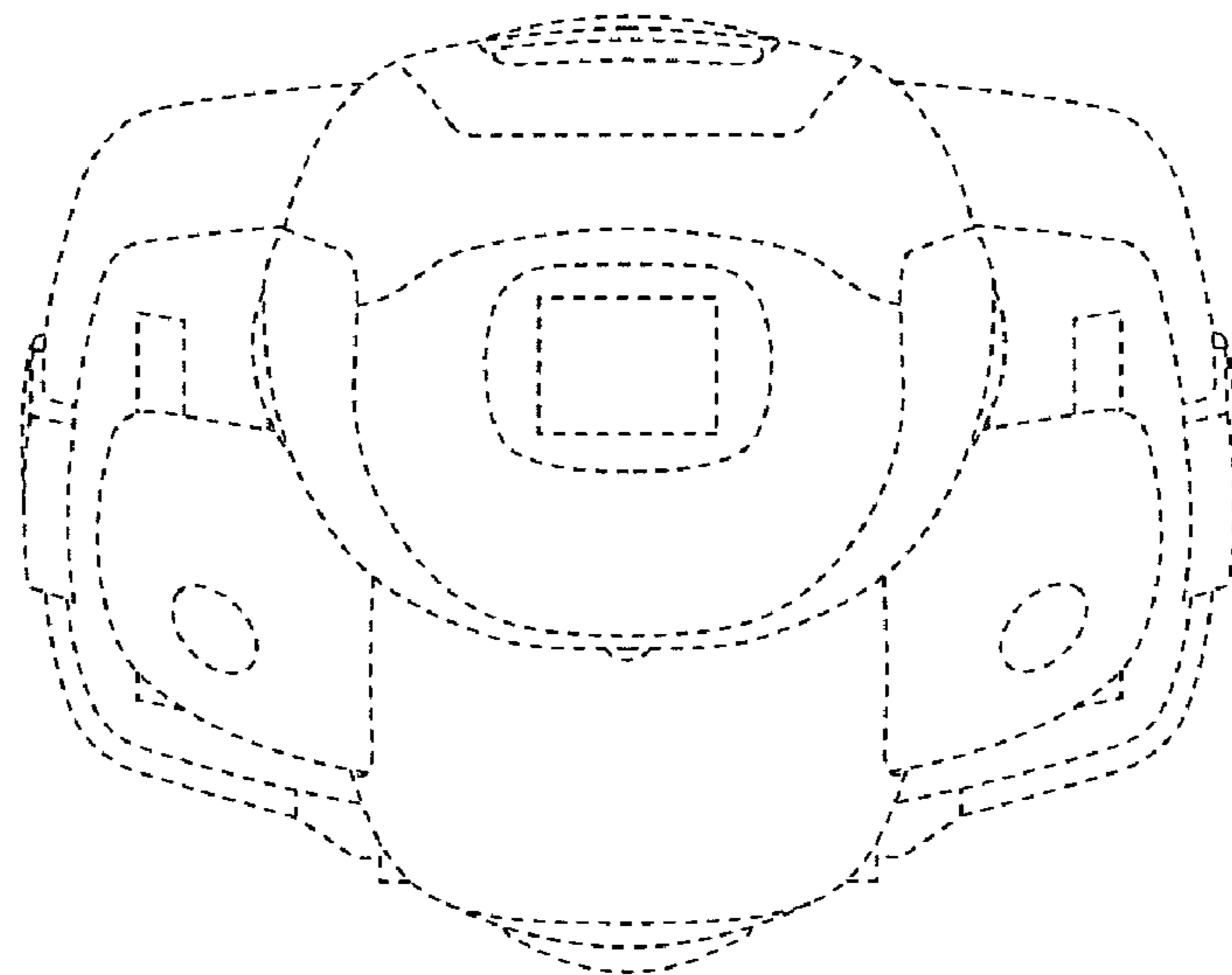


FIG. 7

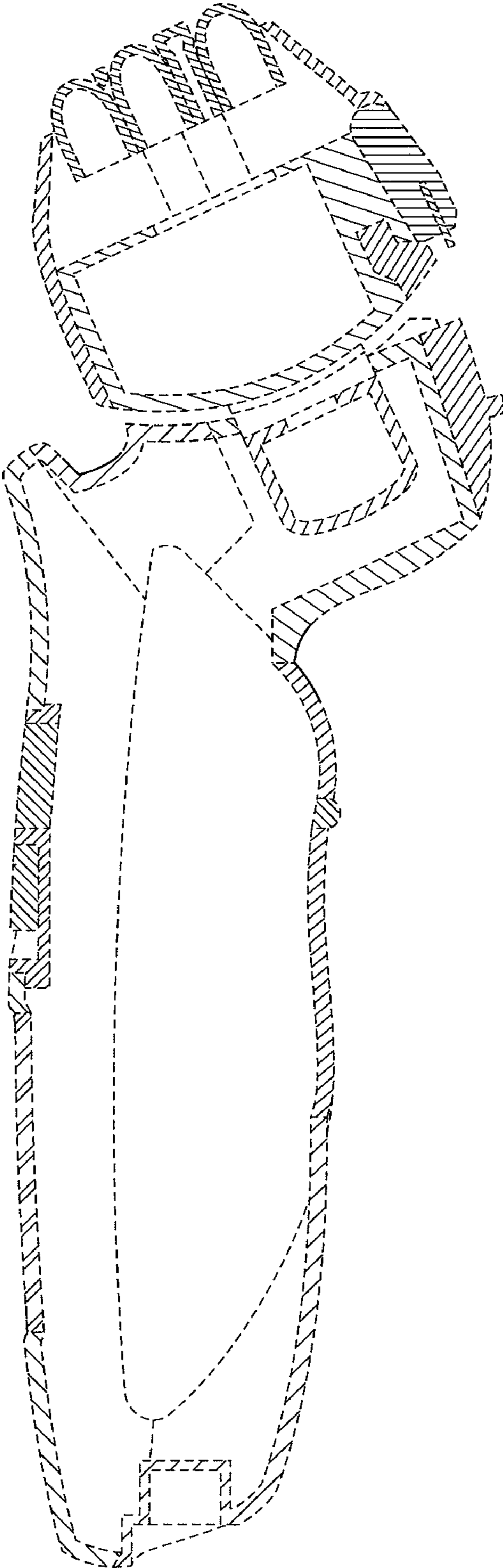


FIG. 8