



US00D610303S

(12) **United States Design Patent**
Valle

(10) **Patent No.:** **US D610,303 S**

(45) **Date of Patent:** **** Feb. 16, 2010**

(54) **CIGARETTE PACKAGE**

(75) Inventor: **Ramon Valle**, Geneva (CH)

(73) Assignee: **R.J. Reynolds Tobacco Company**,
Winston-Salem, NC (US)

(**) Term: **14 Years**

(21) Appl. No.: **29/318,519**

(22) Filed: **May 21, 2008**

(51) **LOC (9) Cl.** **27-06**

(52) **U.S. Cl.** **D27/189**

(58) **Field of Classification Search** D27/186-191;
206/256, 261-263, 265-273; D9/432; 229/160.1
See application file for complete search history.

(56) **References Cited**

U.S. PATENT DOCUMENTS

941,140	A	11/1909	Glover	
970,258	A	9/1910	Nock	
1,581,547	A	4/1926	Rowe	
2,295,747	A	9/1942	Mills	
3,123,206	A	3/1964	Gerber	
3,143,239	A	8/1964	Wiley et al.	
3,420,360	A	1/1969	Young	
4,015,769	A	4/1977	Erlich	
D279,507	S	7/1985	Schechter et al.	
4,753,383	A	6/1988	Focke et al.	
4,923,059	A	5/1990	Evers et al.	
5,044,550	A	9/1991	Lamm	
5,097,948	A	3/1992	Campbell	
5,143,282	A	9/1992	Pham	
5,363,955	A *	11/1994	Fleenor	206/273
D355,275	S	2/1995	Focke	
5,392,905	A	2/1995	Focke et al.	
5,823,331	A	10/1998	Manservigi et al.	

D410,764	S *	6/1999	Wilson	D27/172
D432,263	S *	10/2000	Issa	D27/191
6,216,861	B1	4/2001	James et al.	
6,370,846	B1	4/2002	Schoch et al.	
D466,012	S	11/2002	Baker	
D485,640	S	1/2004	Draghetti et al.	
D485,939	S	1/2004	Draghetti et al.	
D487,532	S *	3/2004	Draghetti et al.	D27/189
6,715,605	B1	4/2004	Manservigi et al.	

(Continued)

FOREIGN PATENT DOCUMENTS

EP 0 764 595 5/2003

(Continued)

Primary Examiner—Jennifer Rivard

(74) *Attorney, Agent, or Firm*—Brinks Hofer Gilson & Lione

(57) **CLAIM**

I claim the ornamental design for a cigarette package, as shown and described.

DESCRIPTION

FIG. 1 is a top perspective view of a cigarette package;

FIG. 2 is a top plan view of the package;

FIG. 3 is a bottom plan view of the package;

FIG. 4 is a rear elevation view of the package;

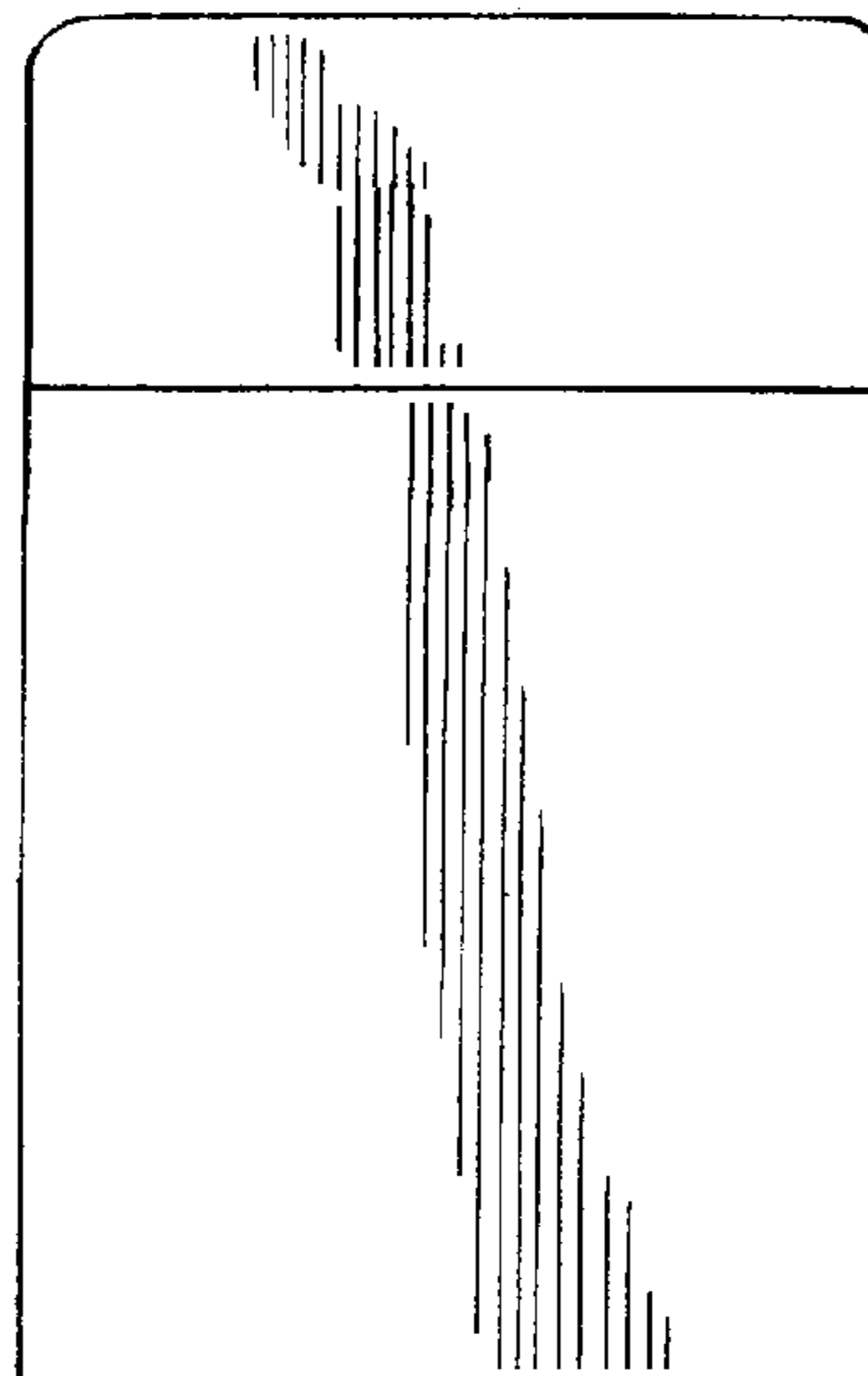
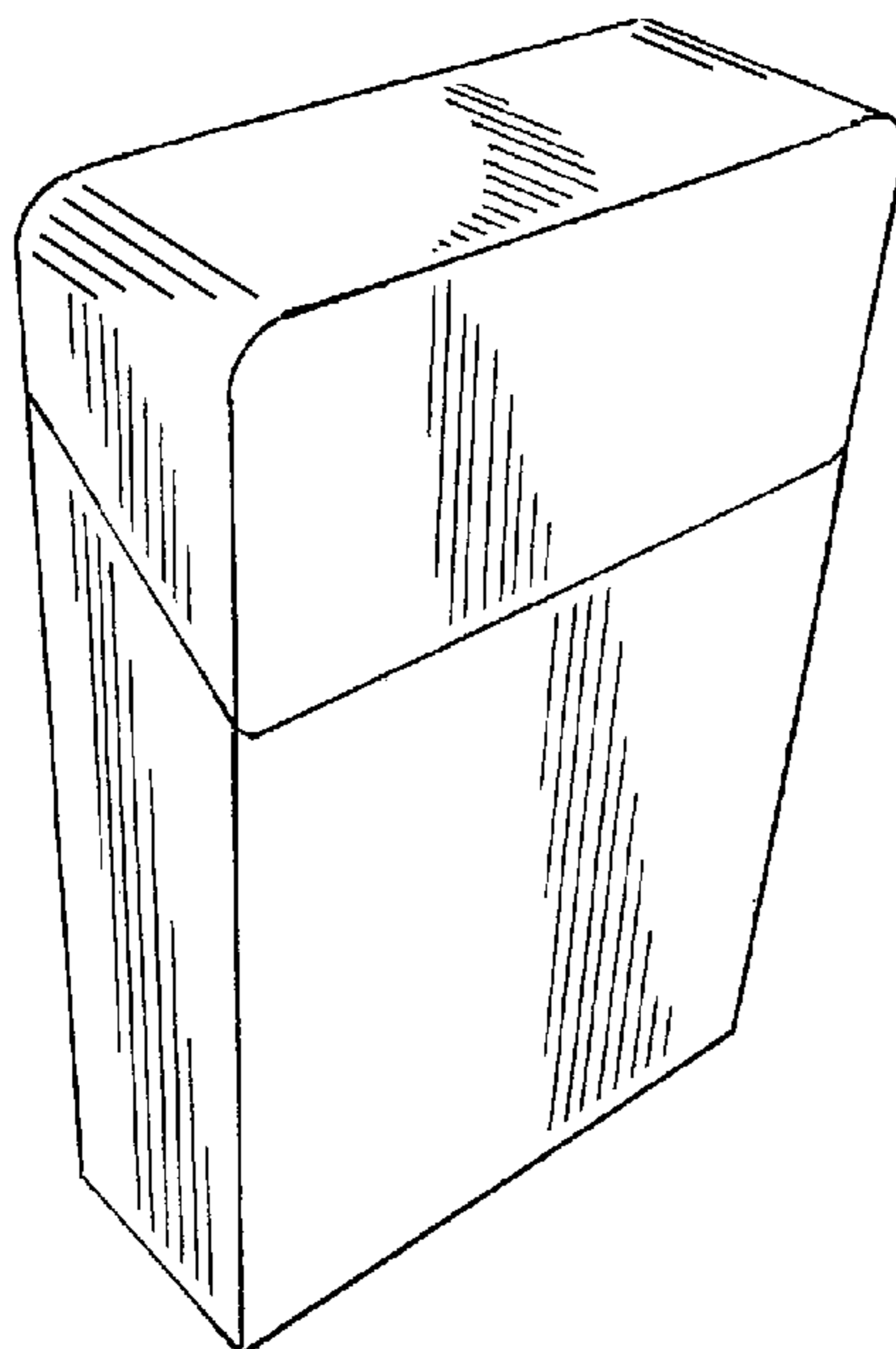
FIG. 5 is a front elevation view of the package;

FIG. 6 is a left side elevation view of the package; and,

FIG. 7 is a right side elevation view of the package.

The ornamental design which is claimed is shown in solid lines in the drawings.

1 Claim, 2 Drawing Sheets



US D610,303 S

Page 2

U.S. PATENT DOCUMENTS

D491,806 S 6/2004 May
D516,422 S 3/2006 Willson et al.
7,213,704 B2 5/2007 Li Vigni et al.
D545,186 S 6/2007 Liebe et al.
2001/0030135 A1* 10/2001 Fath et al. 206/247
2005/0029131 A1 2/2005 Draghetti et al.
2005/0082178 A1 4/2005 Draghetti et al.
2005/0224375 A1 10/2005 Focke et al.

2006/0226208 A1 10/2006 Focke et al.
2007/0108074 A1 5/2007 Buse
2007/0193895 A1 8/2007 Weiss et al.

FOREIGN PATENT DOCUMENTS

GB 2175884 12/1986
WO WO 02/059015 8/2002
WO WO 03/026984 4/2003

* cited by examiner

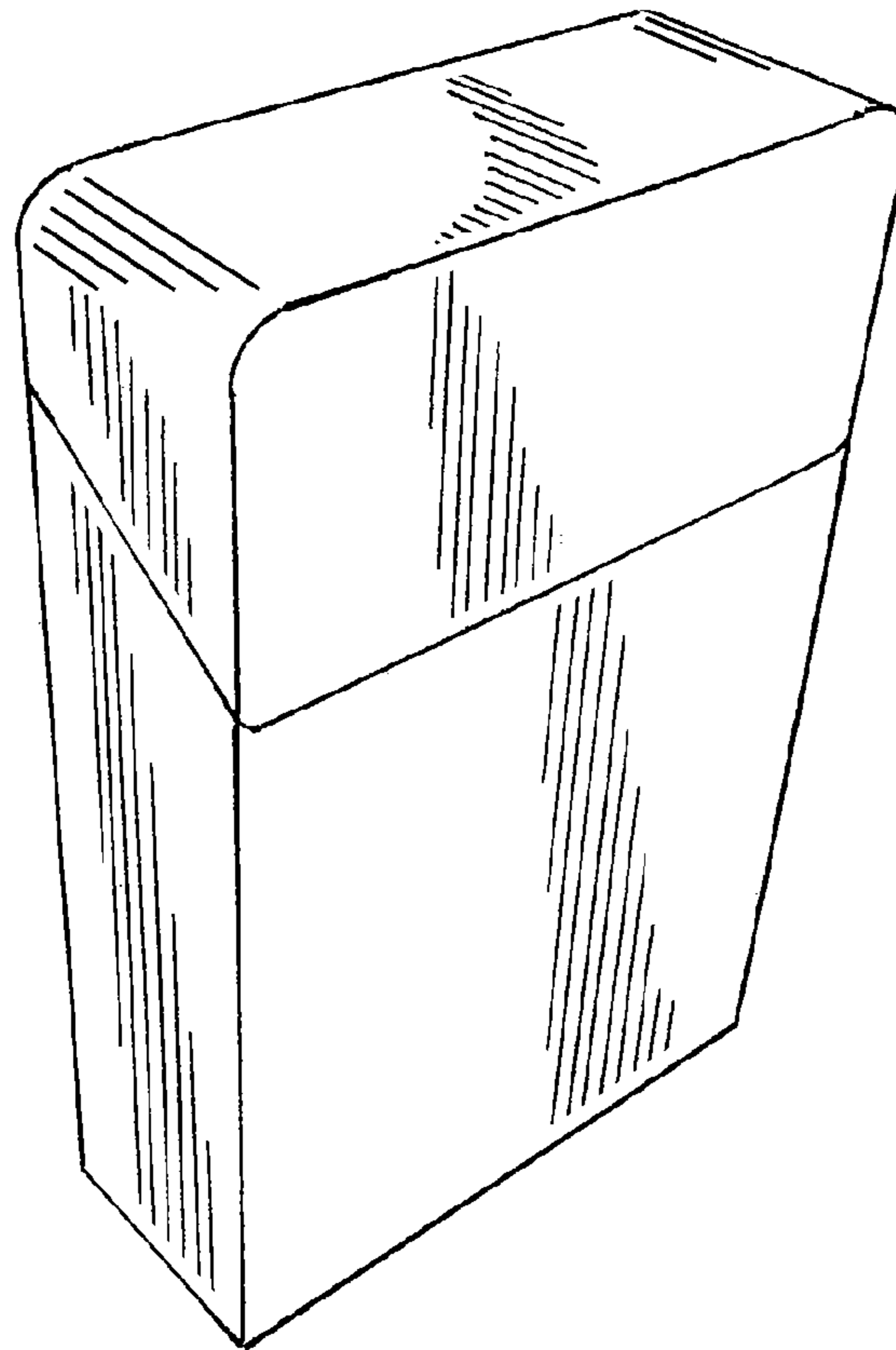


FIG. 1

FIG. 2

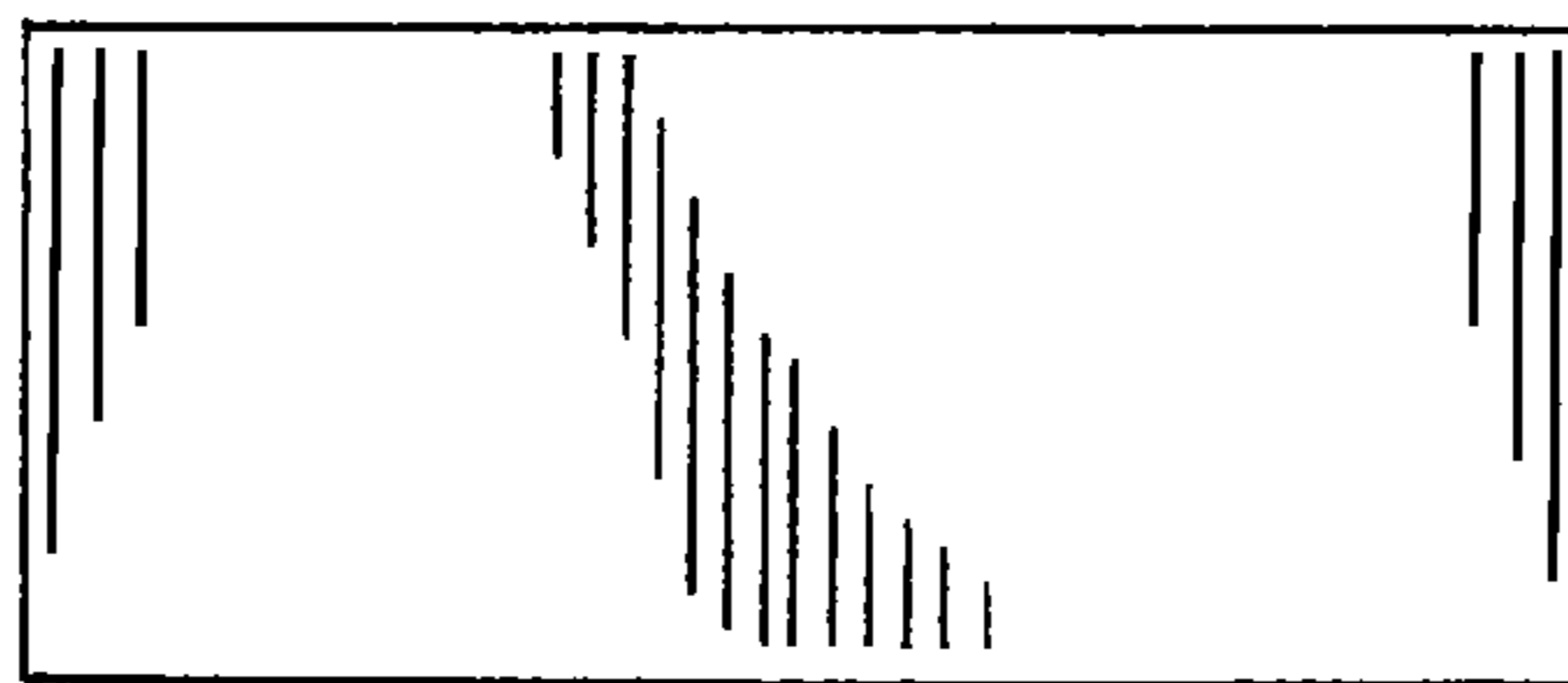


FIG. 3

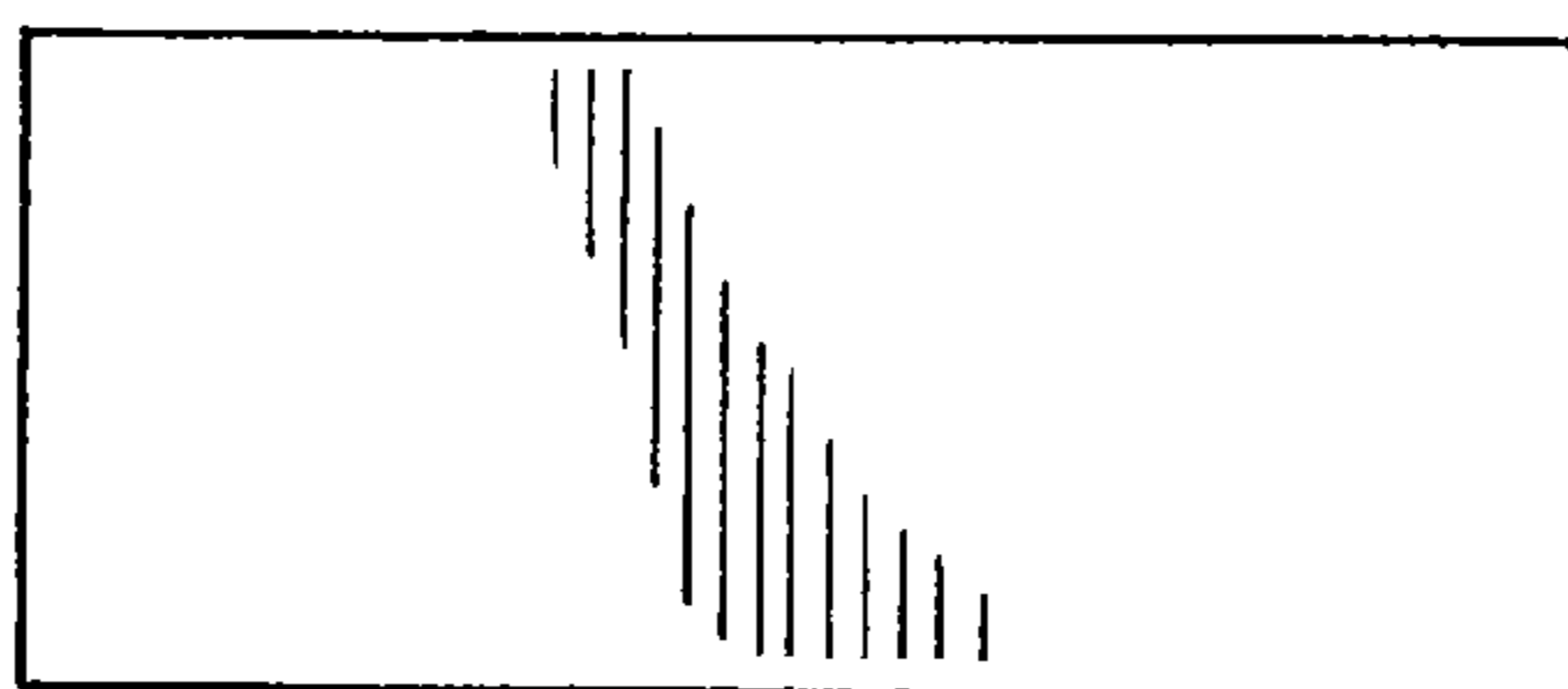


FIG. 4



FIG. 5

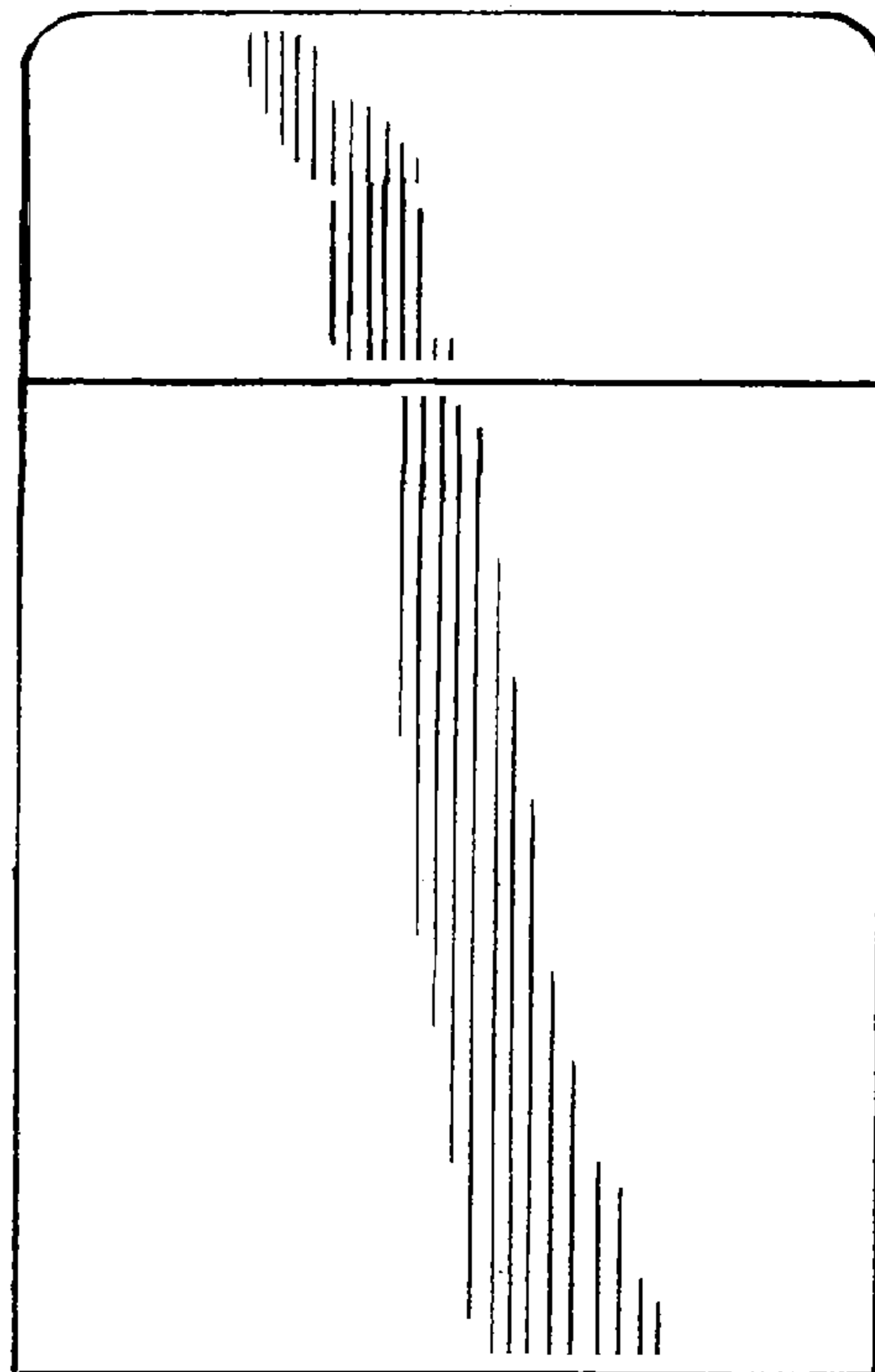


FIG. 6

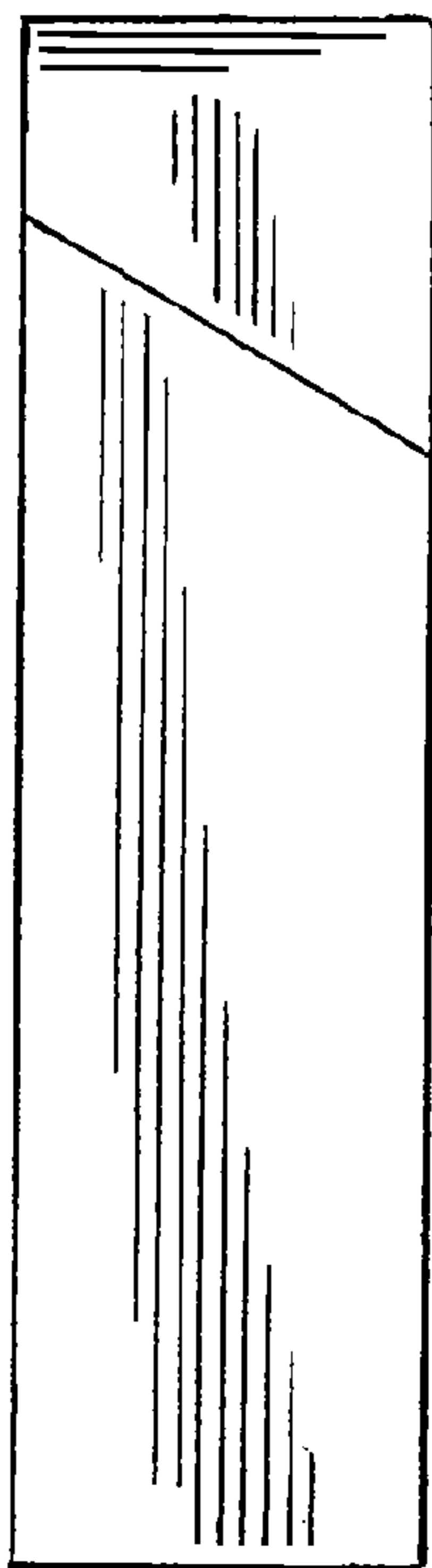


FIG. 7

