



US00D610302S

(12) **United States Design Patent**
Chiu

(10) **Patent No.:** **US D610,302 S**

(45) **Date of Patent:** **** Feb. 16, 2010**

(54) **LAMP**

(75) **Inventor:** **Kam Chiu**, Toronto (CA)

(73) **Assignee:** **Glow Lighting, Inc.**, Markham (CA)

(**) **Term:** **14 Years**

(21) **Appl. No.:** **29/332,390**

(22) **Filed:** **Feb. 13, 2009**

(51) **LOC (9) Cl.** **26-03**

(52) **U.S. Cl.** **D26/93**

(58) **Field of Classification Search** D26/1,
D26/24, 58, 6, 93-94, 104-110; 362/3, 153,
362/186, 217, 255, 257, 277, 317, 351, 353,
362/362, 363, 382, 431, 433, 458, 806
See application file for complete search history.

(56) **References Cited**

U.S. PATENT DOCUMENTS

D255,390 S *	6/1980	Morrison	D26/105
D263,762 S *	4/1982	Franzblau	D26/93
D281,279 S *	11/1985	Perkins	D26/93
D291,012 S *	7/1987	Liljeqvist	D26/104
D294,978 S *	3/1988	Wolf	D26/93
D345,024 S *	3/1994	Fox	D26/58
D354,582 S *	1/1995	Stromberg	D26/106

D368,547 S *	4/1996	Chen	D26/93
D397,208 S *	8/1998	Dan	D26/104
D498,324 S *	11/2004	Dolan	D26/106
D528,695 S *	9/2006	Salatto-Rose	D26/93
D544,632 S *	6/2007	Yando et al.	D26/93
D581,577 S *	11/2008	Baldele	D26/104
D586,938 S *	2/2009	Klein	D26/104
D589,203 S *	3/2009	Sabernig	D26/104
D595,008 S *	6/2009	Starck	D26/93

* cited by examiner

Primary Examiner—Brian N Vinson

(74) *Attorney, Agent, or Firm*—Jaeckle Fleischmann & Mugel, LLP

(57) **CLAIM**

The ornamental design for a lamp, as shown and described.

DESCRIPTION

FIG. 1 is a perspective view of a lamp having the design applied;

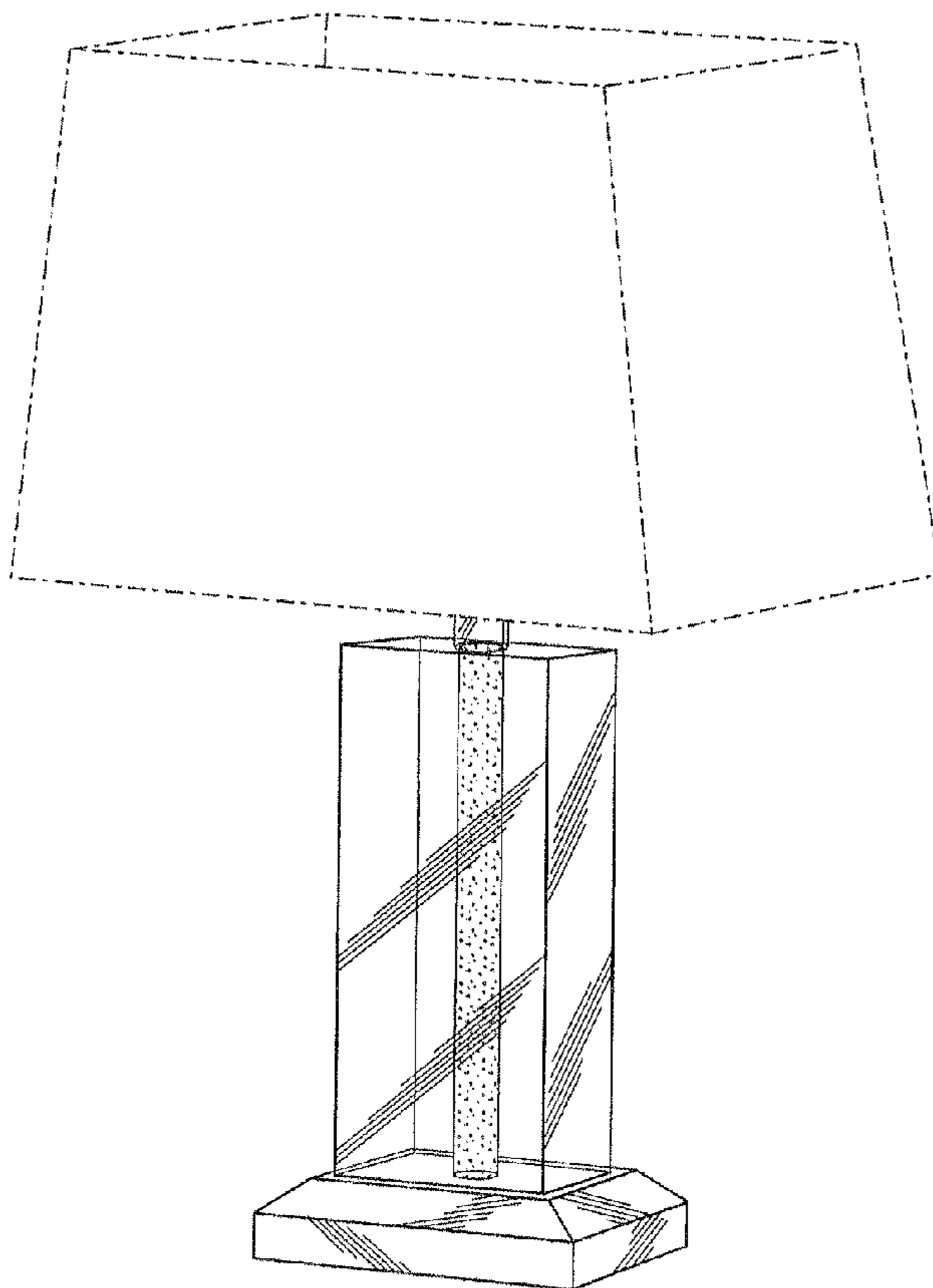
FIG. 2 is a front elevation of the lamp of FIG. 1;

FIG. 3 is a side elevation of the lamp of FIG. 1;

FIG. 4 is a top view of the lamp of FIG. 1; and,

FIG. 5 is a bottom view of the lamp of FIG. 1.

1 Claim, 2 Drawing Sheets



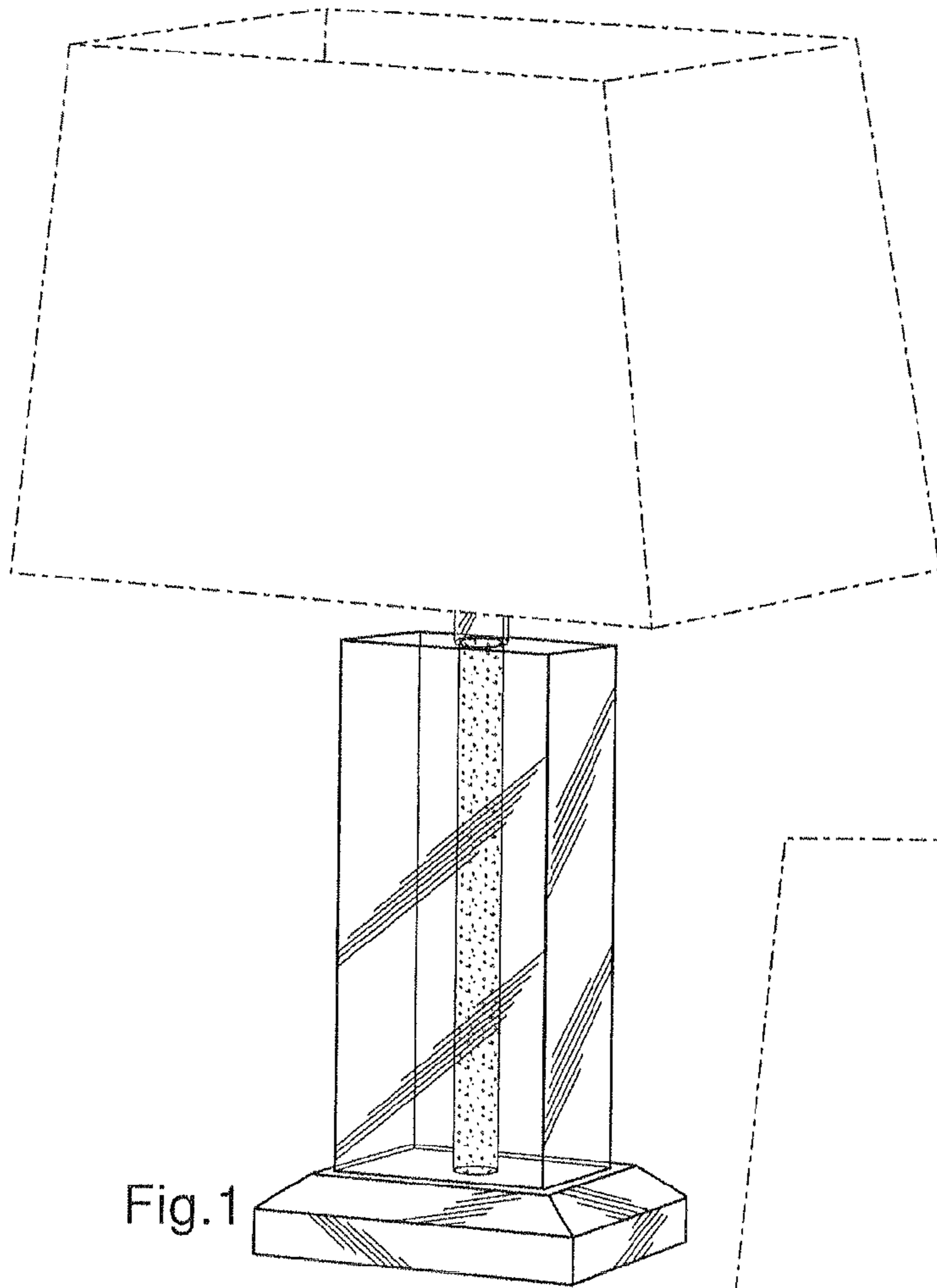


Fig. 1

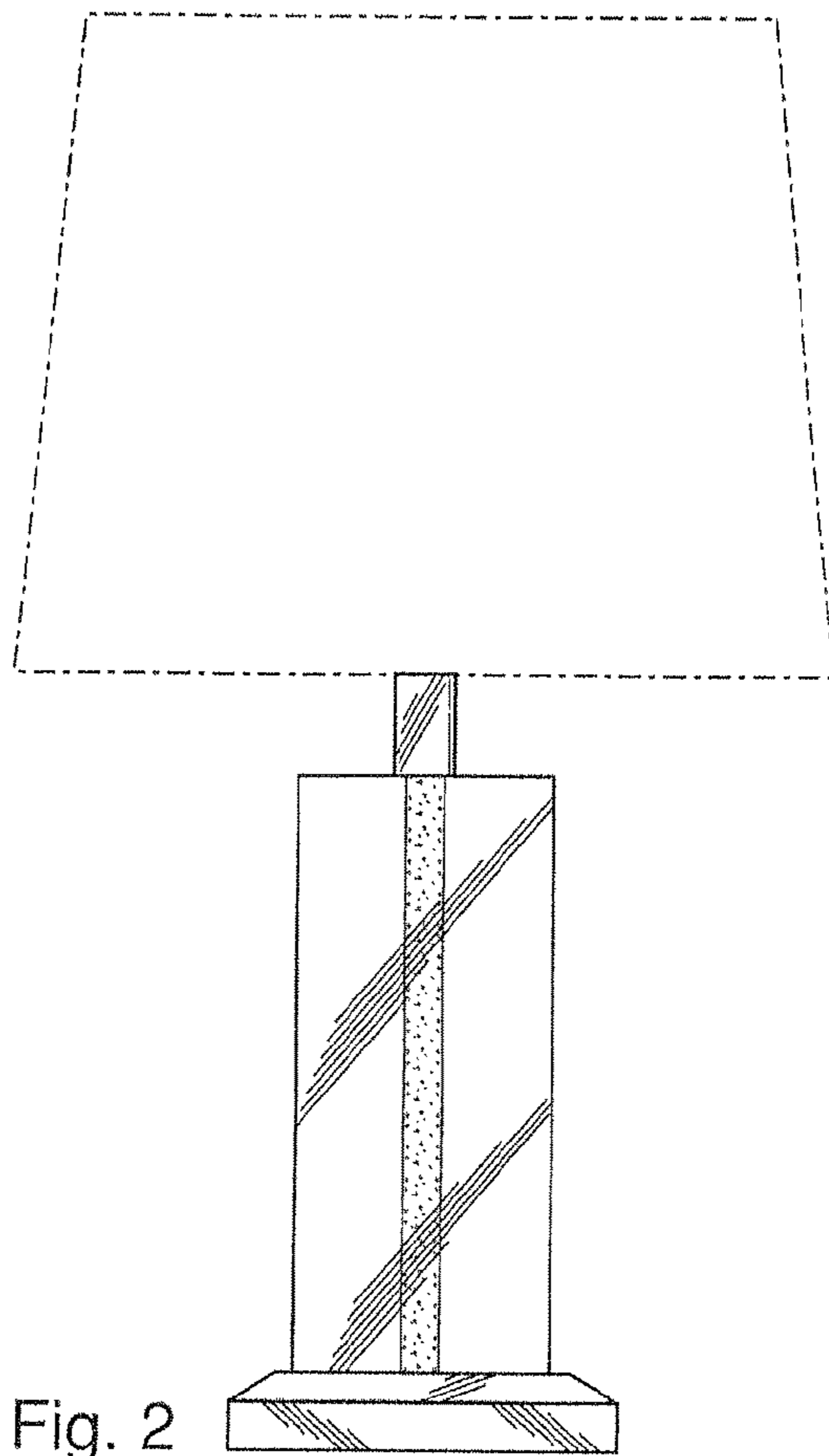


Fig. 2

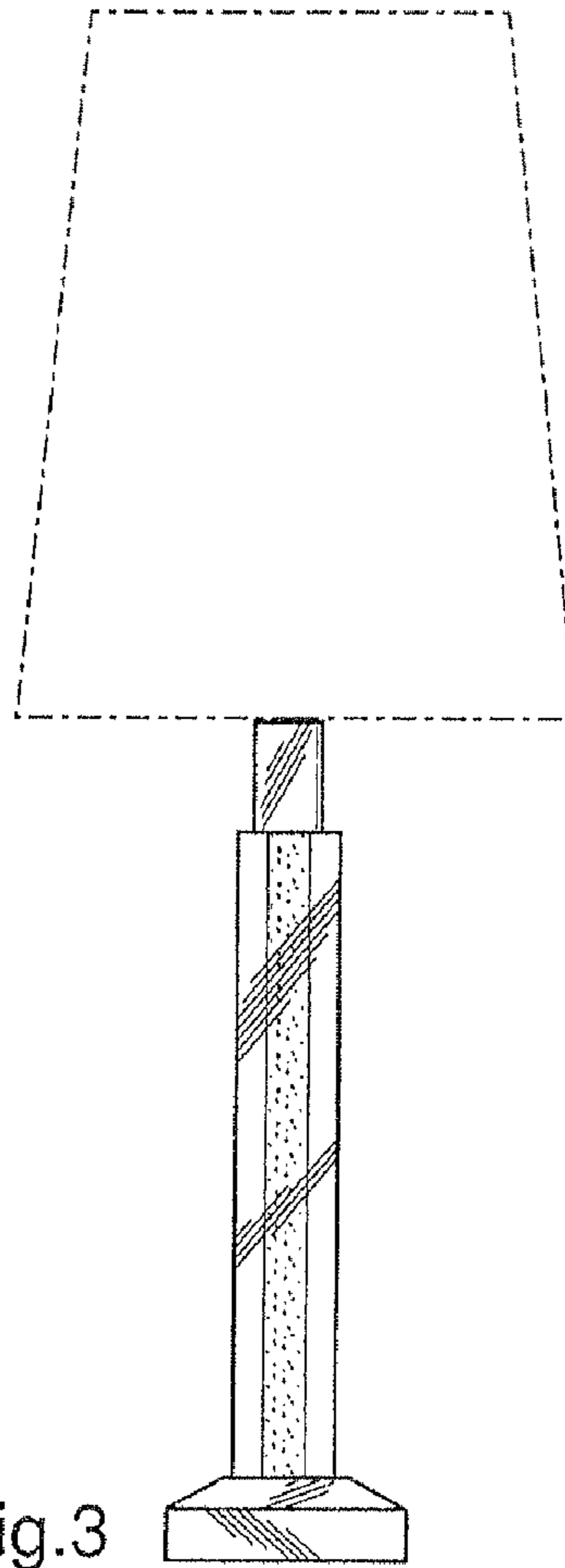


Fig.3

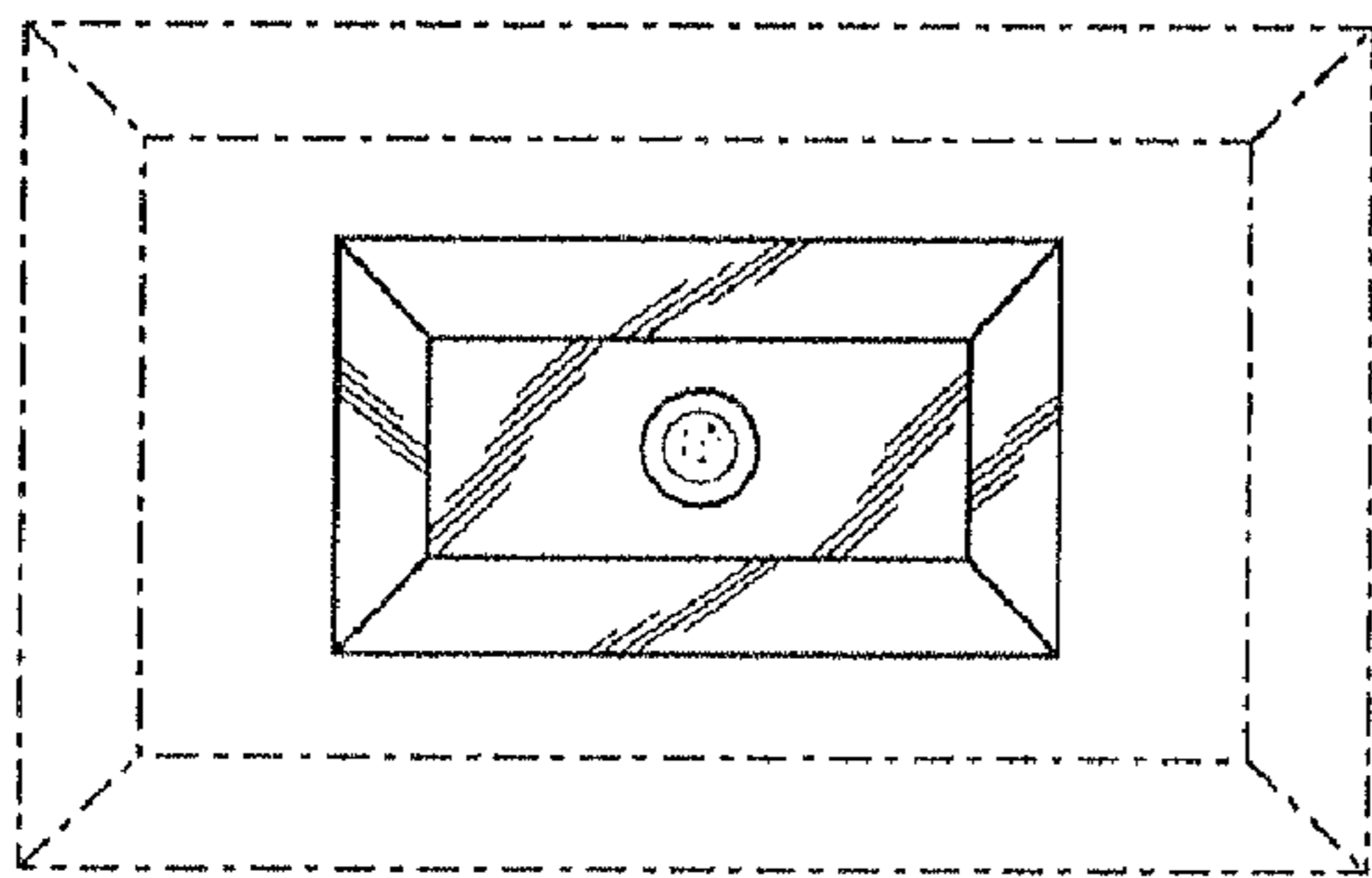


Fig.4

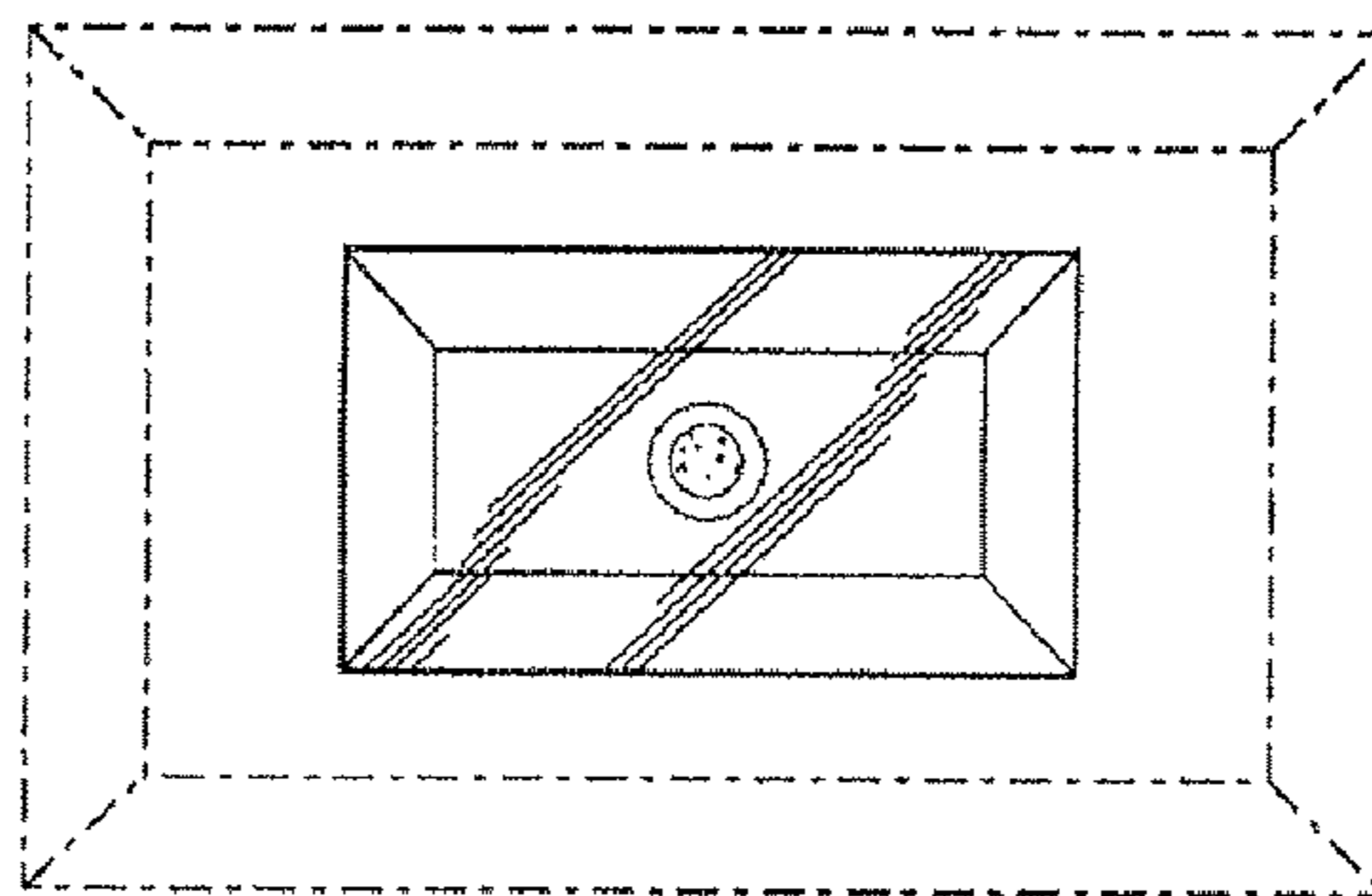


Fig.5