



US00D610300S

(12) **United States Design Patent**
Ngai et al.

(10) **Patent No.:** **US D610,300 S**
(45) **Date of Patent:** **** Feb. 16, 2010**

(54) **OLED LIGHTING FIXTURE**

(75) Inventors: **Peter Y. Y. Ngai**, Alamo, CA (US);
Frank A. Friedman, Mill Valley, CA (US)

(73) Assignee: **ABL IP Holding, LLC**, Conyers, GA (US)

(**) Term: **14 Years**

(21) Appl. No.: **29/343,232**

(22) Filed: **Sep. 9, 2009**

(51) **LOC (9) Cl.** **26-03**

(52) **U.S. Cl.** **D26/88; D26/120**

(58) **Field of Classification Search** D26/88,
D26/89, 118, 120, 121, 122, 128, 131, 132,
D26/135; 362/34, 84, 147, 404-408, 453-456
See application file for complete search history.

(56) **References Cited**

U.S. PATENT DOCUMENTS

D53,152 S *	4/1919	Irwin	D26/135
D79,375 S *	9/1929	Lazerson	D26/88
D94,669 S *	2/1935	Drake	D20/99
D150,095 S *	6/1948	Novin	D26/131
D185,976 S *	5/1959	Meyer	D26/122
D205,004 S *	6/1966	Puszka	D26/122
D208,461 S *	9/1967	Morgan	D26/120
D251,630 S *	4/1979	Larson	D26/128
D257,643 S *	12/1980	Zurcher	D26/85
D293,723 S *	1/1988	Buttner	D26/129
D325,998 S *	5/1992	Shaw	D26/131
D362,081 S *	9/1995	Bilbrey	D26/120
RE35,132 E *	12/1995	Bay et al.	362/34
5,557,869 A *	9/1996	Douglas	362/34

(Continued)

OTHER PUBLICATIONS

WAC Lighting OLED prototype shown and described in Thomas Net News article of May 26, 2009. Downloaded from <http://news.thomasnet.com/companystory/827327>. (9 pages).*

George Kovacs Checked Glass 18" Wide Pendant Light—item#EUJ3589 from EuroStyleLighting.com. Downloaded Oct. 8, 2009.*

Eurofase Intertwining Vines Plate Glass Square Pendant—Item#EUH5078 from eurostylelighting.com on Oct. 8, 2009.*

(Continued)

Primary Examiner—Clare E Heflin

(74) *Attorney, Agent, or Firm*—Donald L. Beeson; Beeson Skinner Beverly, LLP

(57) **CLAIM**

The ornamental design for an OLED lighting fixture, as shown and described.

DESCRIPTION

FIG. 1 is a bottom perspective view of an OLED lighting fixture showing our new design;

FIG. 2 is a top perspective view thereof;

FIG. 3 is a front elevational view thereof; the rear elevation, and the left and right side elevations being identical thereto;

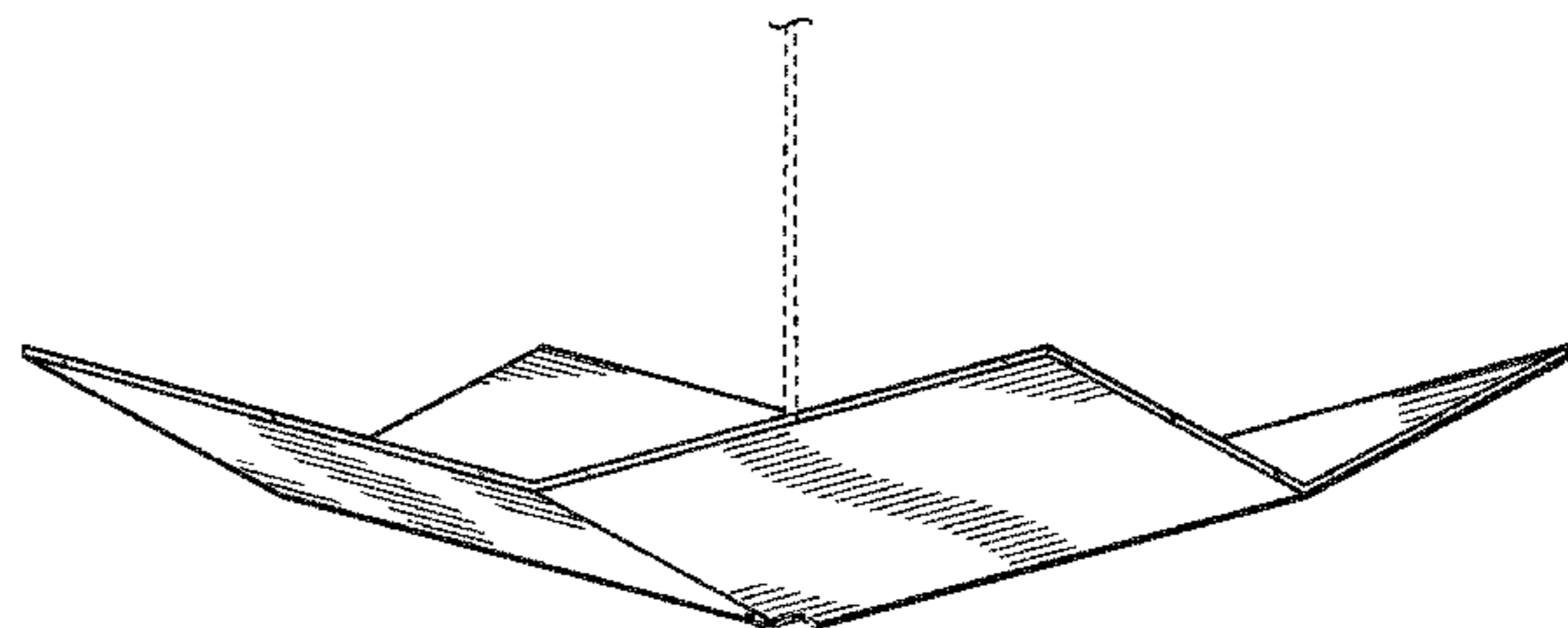
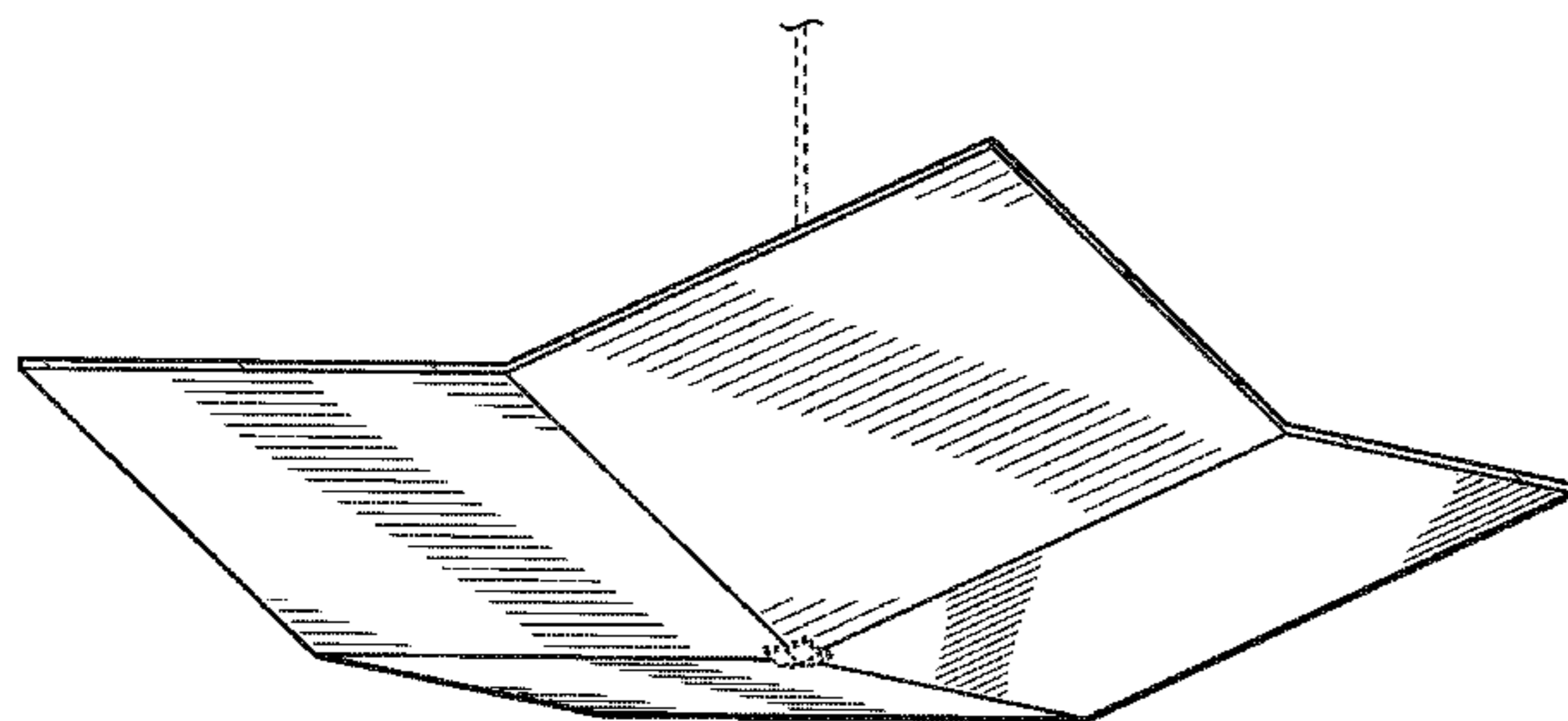
FIG. 4 is a rotated elevational view thereof; and,

FIG. 5 is a bottom plan view thereof.

“OLED” means Organic Light-Emitting Diode. The characteristic feature of the design resides in the overall shape of the OLED lighting fixture, which can emit light from all or a portion of its bottom and/or top surfaces. The OLED lighting fixture can be transparent, translucent or opaque, or different portions of the OLED lighting fixture can be transparent, translucent or opaque, while other portions have a different transparent, translucent or opaque characteristic.

The broken line showing of a suspension element and bottom suspension element attachment cap is provided for illustrative purposes only and forms no part of the claimed design. The OLED lighting fixture can be suspended in either an up or down orientation.

1 Claim, 4 Drawing Sheets



US D610,300 S

Page 2

U.S. PATENT DOCUMENTS

6,367,942 B1 * 4/2002 Bauer 362/34
D464,462 S * 10/2002 Shieh D26/132
6,565,231 B1 * 5/2003 Cok 362/227
6,952,079 B2 * 10/2005 Shiang et al. 362/84
D548,872 S * 8/2007 Dubbeldam et al. D26/85
D563,589 S * 3/2008 Hariri et al. D26/88
D581,090 S * 11/2008 Colleran et al. D26/122
D584,848 S * 1/2009 Menke D26/88
D595,890 S * 7/2009 Sabernig D26/88

D596,784 S * 7/2009 Silver D26/88
D600,399 S * 9/2009 Sonobe D26/121

OTHER PUBLICATIONS

All OLED Light fixtures shown in article “Oled—The Flexible, Power-efficient Future of Lighting” in Ecofriend.org blog dated Jul. 30, 2008. (5 pages).*

Phillipe Collection 23½ Wide Pendant Light—Item#EU58143 from Eurostylelighting.com on Oct. 8, 2009. (2 pages).*

* cited by examiner

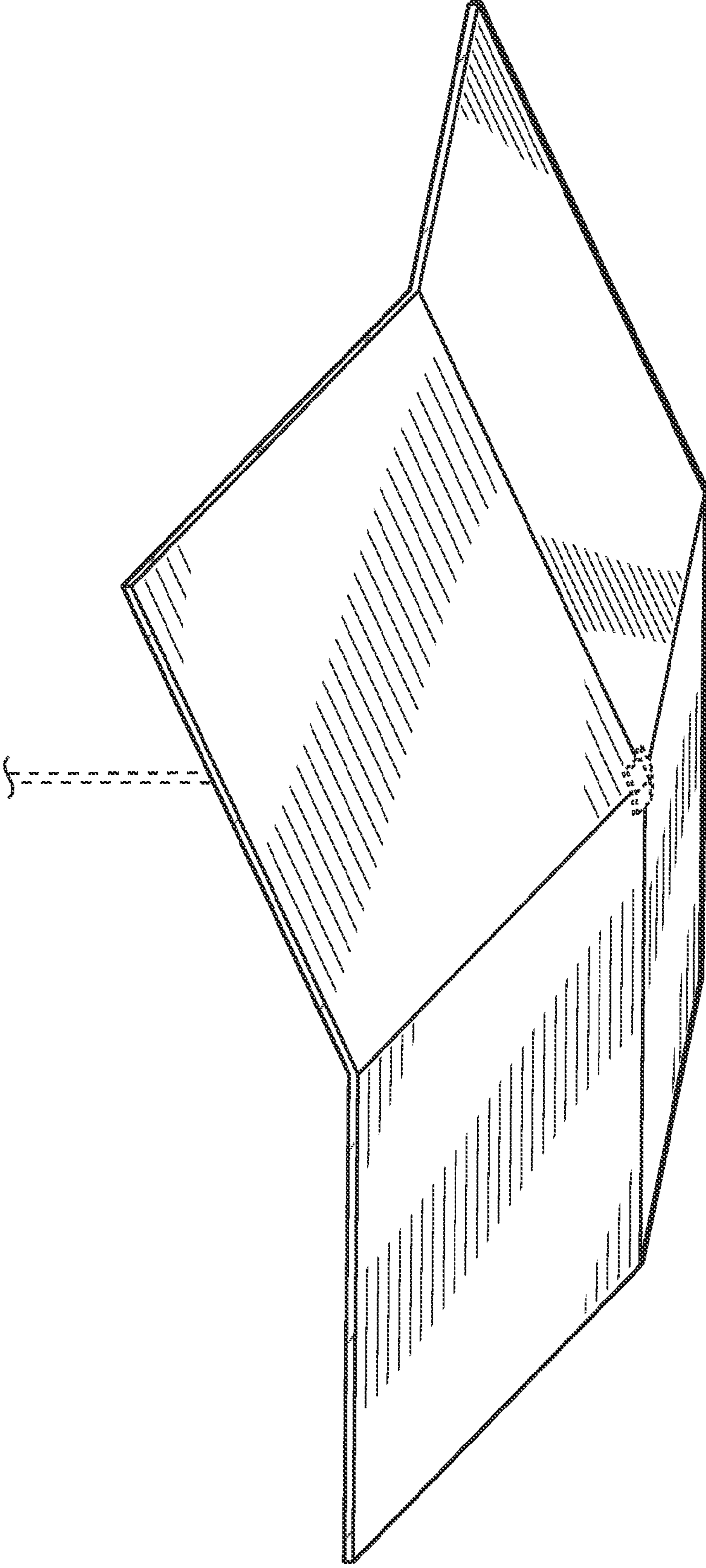


FIG. 1

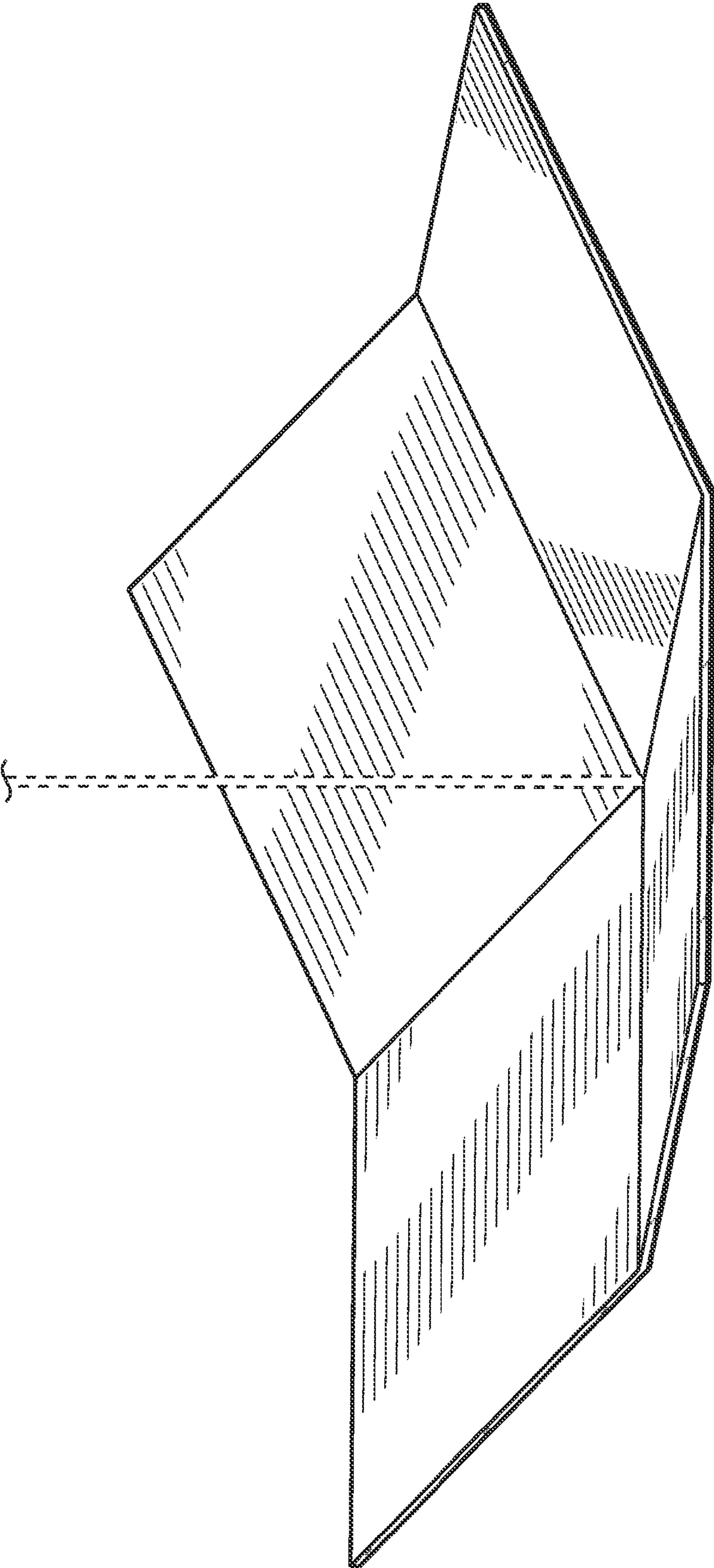


FIG. 2

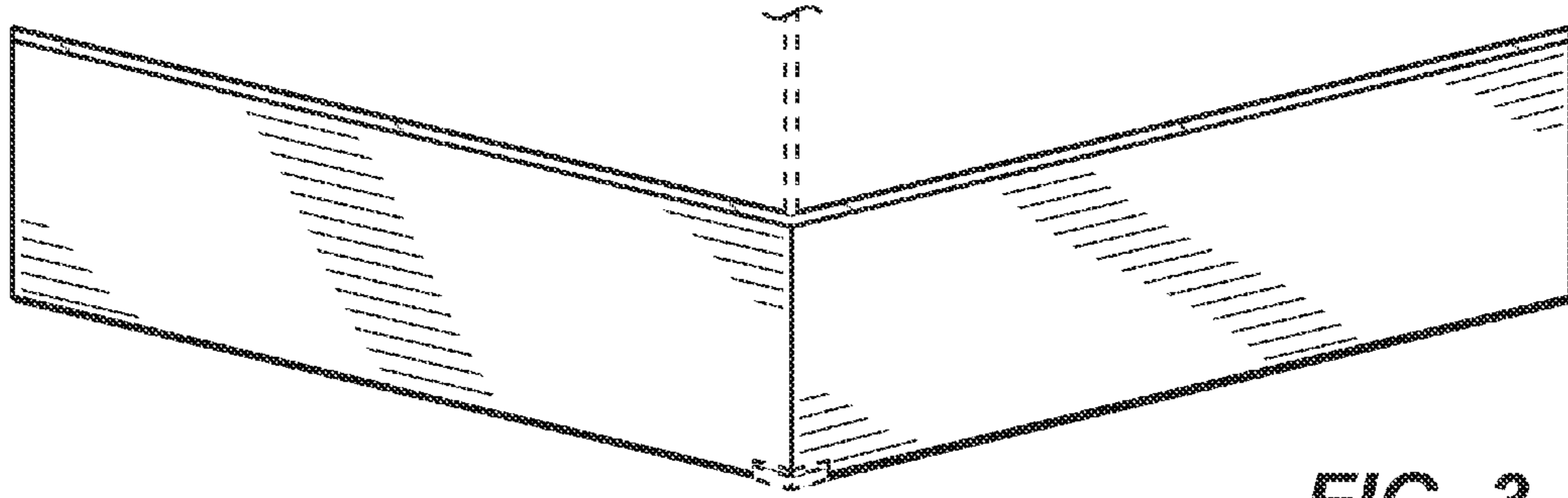


FIG. 3

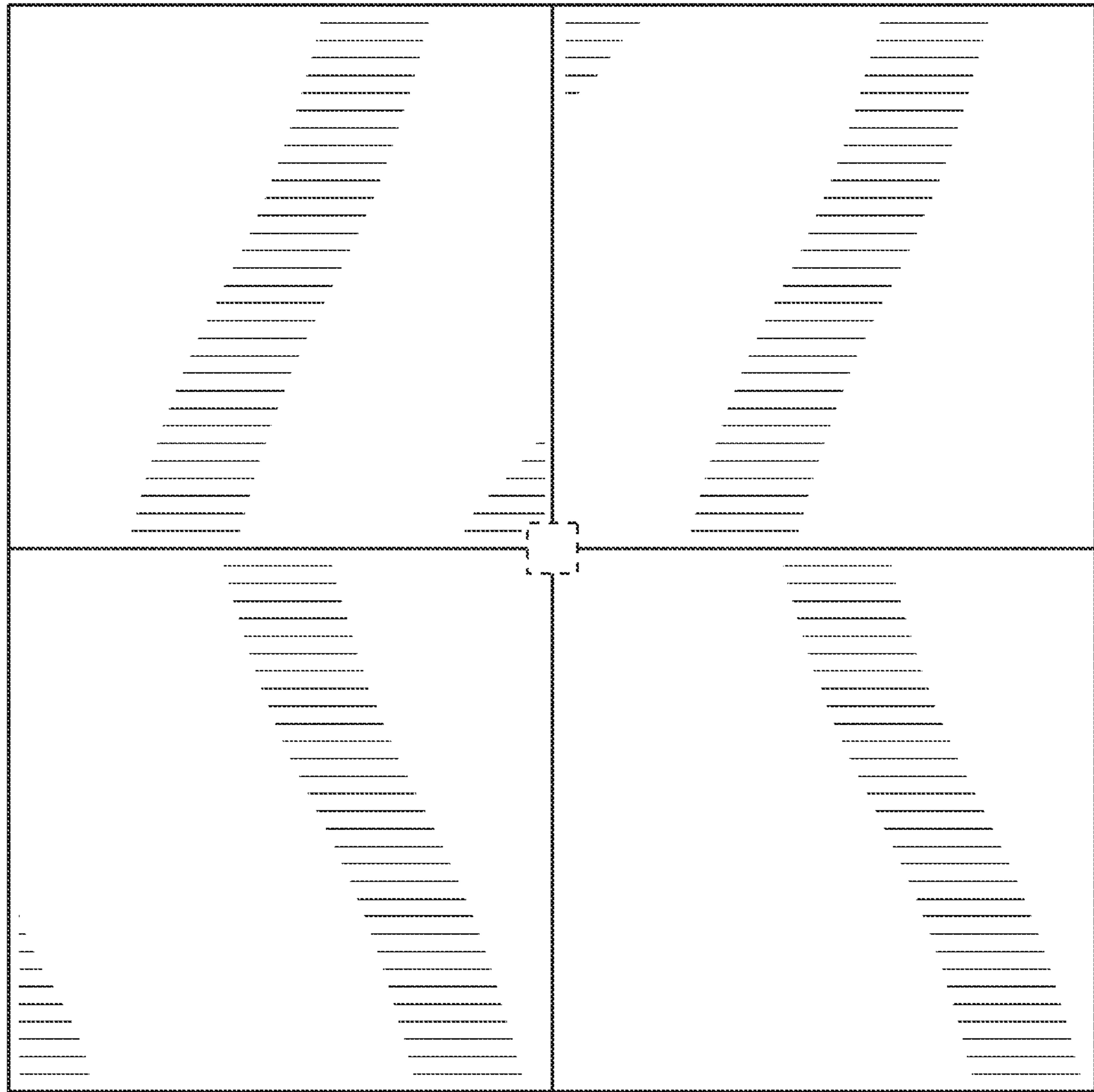


FIG. 5

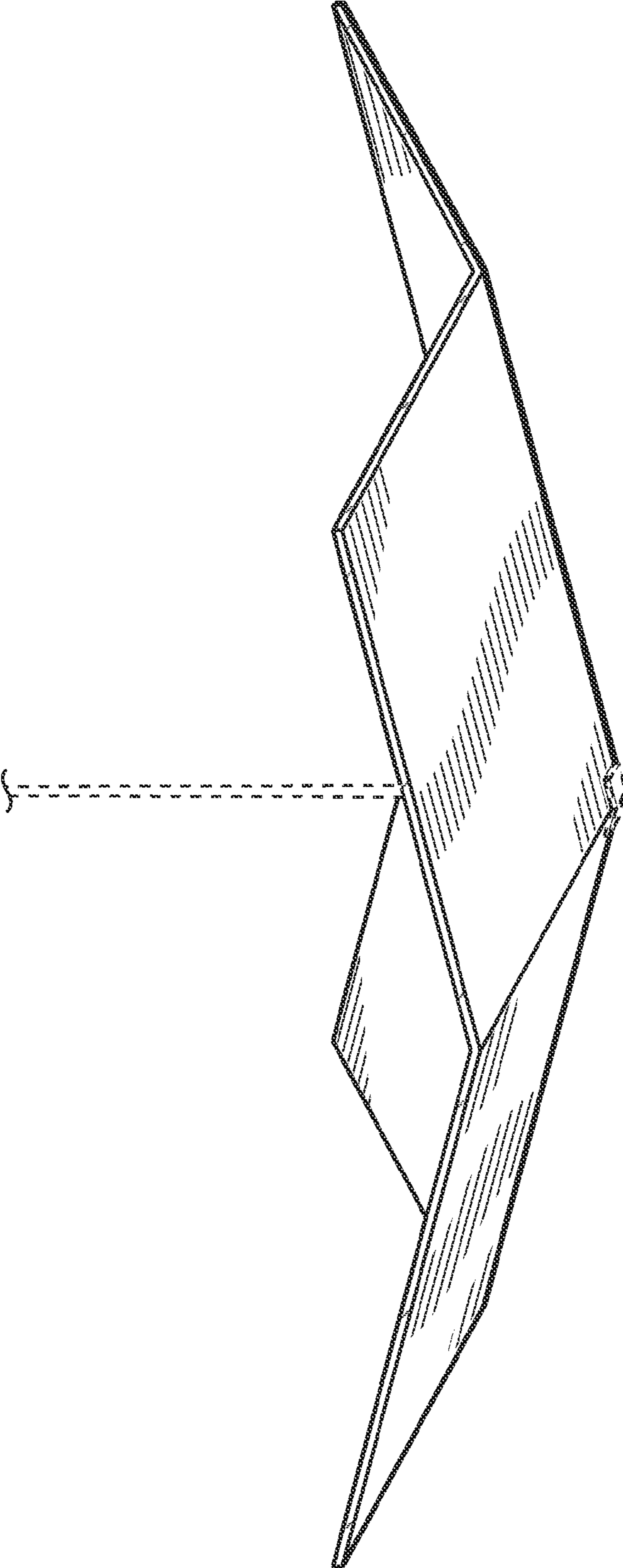


FIG. 4