



US00D610295S

(12) **United States Design Patent**  
**Boissevain**

(10) **Patent No.:** **US D610,295 S**  
(45) **Date of Patent:** **\*\* Feb. 16, 2010**

(54) **LUMINAIRE**

(75) Inventor: **Chris Boissevain**, Wimberley, TX (US)

(73) Assignee: **Koninklijke Philips Electronics N.V.**,  
Eindhoven (NL)

(\*\*) Term: **14 Years**

(21) Appl. No.: **29/328,740**

(22) Filed: **Dec. 1, 2008**

(51) **LOC (9) Cl.** ..... **26-05**

(52) **U.S. Cl.** ..... **D26/85**

(58) **Field of Classification Search** ..... D26/67-72,  
D26/85, 92; 362/145, 152, 183, 294, 373,  
362/414, 431, 545

See application file for complete search history.

(56) **References Cited**

**U.S. PATENT DOCUMENTS**

1,215,894 A	2/1917	Yuyama	
D51,774 S	2/1918	Coppinger	
D54,477 S	2/1920	Strahan	
1,356,145 A	10/1920	Hawthorne	
1,486,745 A	3/1924	Haselton	
1,545,711 A	7/1925	Townsend	
1,639,753 A	8/1927	Shelton	
D81,452 S	6/1930	Osborn	
2,075,199 A	3/1937	Horner	
D104,401 S	5/1937	Kanter	
D105,721 S	8/1937	Westfall	
2,132,784 A	10/1938	Guth	
D114,805 S	5/1939	Brooks	
D115,417 S	6/1939	McCann	
D137,508 S	3/1944	Asay	
D151,626 S *	11/1948	Kress	..... D26/85
2,632,095 A	3/1953	Dove	
D172,522 S	6/1954	Stone	
2,732,484 A	1/1956	Lipscomb	
D178,282 S	7/1956	Runtz	
2,767,305 A	10/1956	Onlesen et al.	
2,853,599 A	9/1958	Kliegl	
D190,385 S	5/1961	Schreckengost	
D191,128 S	8/1961	Curtin et al.	

D192,125 S	1/1962	Lasker
D195,584 S	7/1963	D'Ercoli
D199,078 S	9/1964	Turner
D199,142 S	9/1964	Daum
D199,144 S	9/1964	Daum
3,156,418 A	11/1964	Jablonski
3,170,634 A	2/1965	Harling
D201,909 S	8/1965	Harling
D202,212 S	9/1965	Izzi
3,340,393 A	9/1967	Franck et al.
3,388,246 A	6/1968	Bailey

(Continued)

*Primary Examiner*—Clare E Heflin  
(74) *Attorney, Agent, or Firm*—John F. Salazar; Middleton  
Reutlinger

(57) **CLAIM**

The ornamental design for a luminaire, as shown and described.

**DESCRIPTION**

FIG. 1 is a top perspective view of the luminaire of the present invention;

FIG. 2 is a top view of the luminaire of FIG. 1;

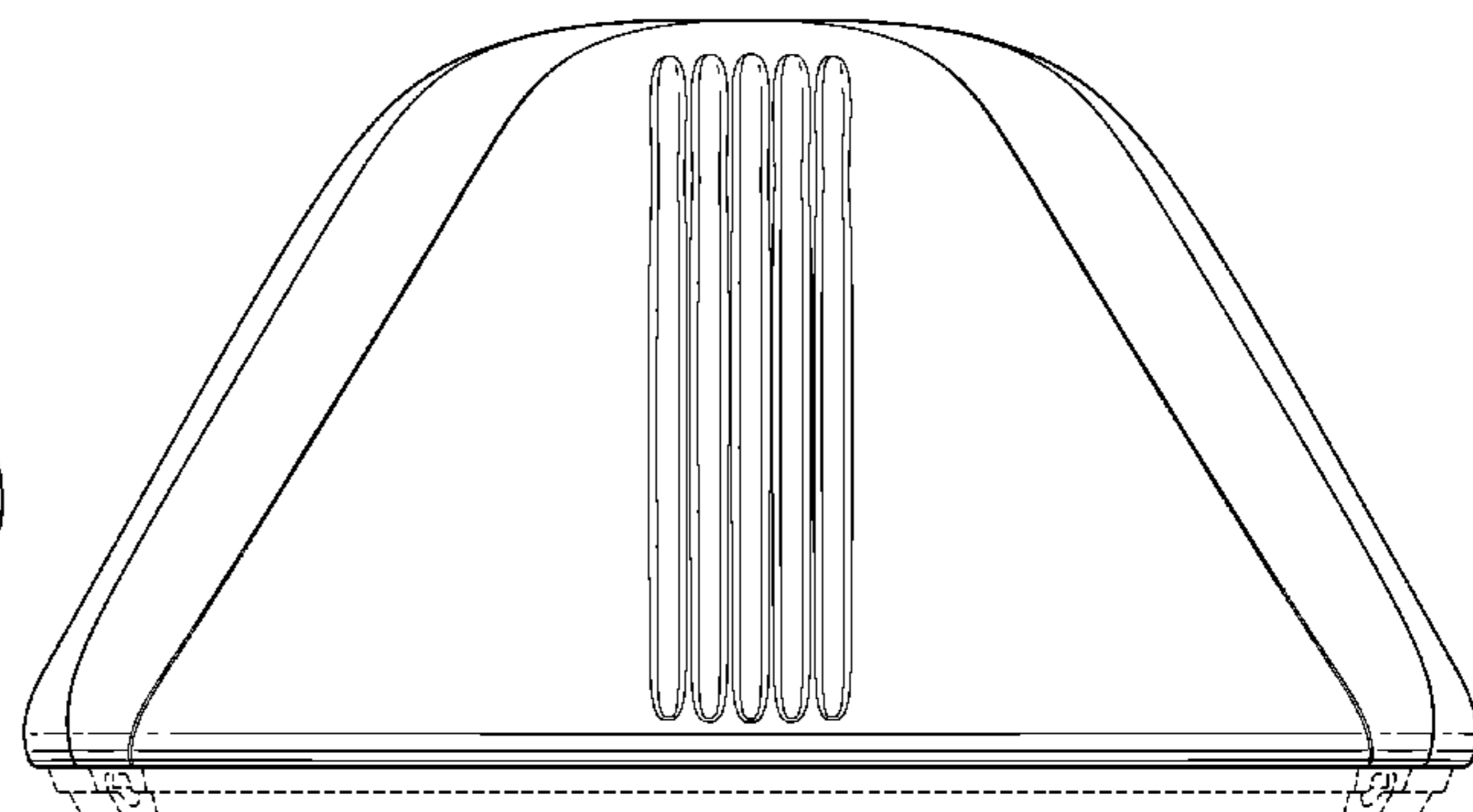
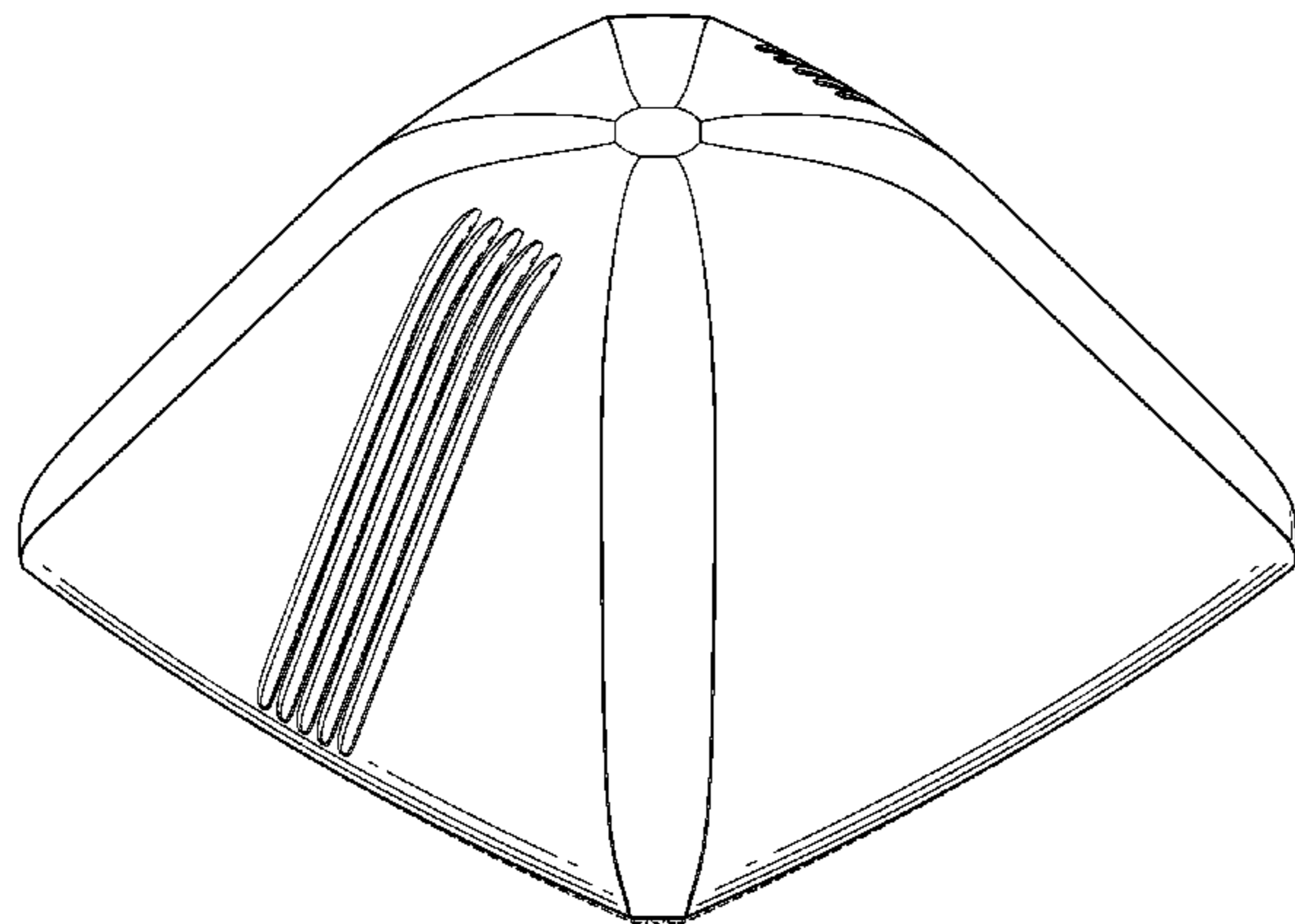
FIG. 3 is a bottom view of the luminaire of FIG. 1;

FIG. 4 is a left side elevation view of the luminaire of FIG. 1, a right side elevation view thereof being a mirror image of the left side elevation view; and,

FIG. 5 is a front view of the luminaire of FIG. 1, a rear view thereof being a mirror image of the front view.

The broken lines showing environmental structure are for illustrative purposes only and form no part of the claimed design.

**1 Claim, 5 Drawing Sheets**



# US D610,295 S

Page 2

U.S. PATENT DOCUMENTS					
3,448,260	A	6/1969 Wince et al.	D344,606	S	2/1994 Fouke et al.
3,505,515	A	4/1970 Adra	D345,432	S	3/1994 Gruber et al.
D217,638	S	5/1970 Magi	D345,433	S	3/1994 Gruber et al.
D222,103	S	9/1971 Anderson	D345,434	S	3/1994 Gruber et al.
3,604,916	A	9/1971 Adra	D346,874	S	5/1994 Fiorato
3,610,915	A	10/1971 Moore	D346,875	S	5/1994 Rorke
3,666,935	A	5/1972 Pritchett et al.	D347,292	S	5/1994 Roos et al.
3,711,702	A	1/1973 Adra	D347,486	S	5/1994 Gruber et al.
3,732,416	A	5/1973 Audesse et al.	5,309,341	A	5/1994 Russello et al.
3,755,665	A	8/1973 Grindle	D348,531	S	7/1994 Mehaffey et al.
D229,713	S	12/1973 Wince et al.	5,339,234	A	8/1994 Russello et al.
D230,071	S	1/1974 Anderson	D351,919	S	10/1994 Rorke
3,895,227	A	7/1975 Murray et al.	D352,124	S	11/1994 Russello et al.
3,919,542	A	11/1975 Castic	5,377,087	A	12/1994 Yoon
4,090,210	A	5/1978 Webling et al.	D354,580	S	1/1995 Fouke et al.
4,143,413	A	3/1979 Kelly	D355,044	S	1/1995 Russello et al.
4,164,784	A	8/1979 Jaksich	D357,547	S	4/1995 Layh
4,212,050	A	7/1980 Trenkler	D357,761	S	4/1995 DeWinter
4,288,846	A	9/1981 Fletcher et al.	5,404,297	A	4/1995 Birk et al.
D262,914	S	2/1982 Kristofek	D358,898	S	5/1995 Compton
4,319,313	A	3/1982 Eberhart et al.	D358,902	S	5/1995 Webster, III
4,323,953	A	4/1982 Hutchison	5,416,684	A	5/1995 Pearce
4,333,131	A	6/1982 Hujimoto et al.	D364,242	S	11/1995 Fiorato
D267,516	S	1/1983 Rambusch et al.	D367,124	S	2/1996 Sherman
D272,193	S	1/1984 Sangiamo	D370,228	S	5/1996 Chapman et al.
4,434,455	A	2/1984 Merritt	5,584,574	A	12/1996 Haddad
4,447,863	A	5/1984 Fenne	D377,990	S	2/1997 Nakano
4,462,068	A	7/1984 Shadwick	5,613,766	A	3/1997 Raouf
4,473,873	A	9/1984 Quiogue	5,642,934	A	7/1997 Haddad
4,519,018	A	5/1985 Rowland	5,647,659	A	7/1997 Mori
4,527,224	A	7/1985 Sangiamo et al.	D385,643	S	10/1997 Brohard et al.
4,587,602	A	5/1986 Dean et al.	D389,949	S	1/1998 Walker
4,590,544	A	5/1986 Decandia	D390,999	S	2/1998 Gaskins et al.
4,602,320	A	7/1986 Tomkin et al.	D391,659	S	3/1998 Gaskins et al.
D286,206	S	10/1986 Joosten et al.	D392,407	S	3/1998 Johnson et al.
D286,446	S	10/1986 Caroli et al.	D393,733	S	4/1998 Gaskins et al.
4,623,956	A	11/1986 Conti	D394,124	S	* 5/1998 Mackert et al. .... D26/85
4,636,579	A	1/1987 Hanak et al.	D395,140	S	6/1998 O'Rourke
4,695,930	A	9/1987 Wierzbicki et al.	5,803,585	A	9/1998 Littman et al.
4,709,312	A	11/1987 Heinisch et al.	D399,331	S	10/1998 Greene et al.
D294,066	S	2/1988 Ewing et al.	D399,332	S	10/1998 Greene et al.
4,760,499	A	7/1988 II	D399,333	S	10/1998 Greene et al.
4,760,511	A	7/1988 Russello et al.	D400,286	S	10/1998 Greene et al.
4,816,969	A	3/1989 Miller	D404,842	S	1/1999 Hurst
D301,175	S	5/1989 Benjamin	D407,842	S	4/1999 Landefeld
D302,326	S	7/1989 DiCola	5,906,431	A	5/1999 Chianale et al.
D302,327	S	7/1989 DiCola	D412,037	S	7/1999 Compton
D302,328	S	7/1989 Fretz	5,918,970	A	7/1999 Brohard et al.
D302,329	S	7/1989 Fretz et al.	D415,304	S	10/1999 Brown
D302,330	S	7/1989 Fretz	5,971,571	A	10/1999 Rose
4,858,091	A	8/1989 Fouke	D417,303	S	11/1999 Rahn
D304,092	S	* 10/1989 Glassman ..... D26/85	D418,626	S	1/2000 Herst et al.
D305,694	S	1/1990 Brown	D424,736	S	5/2000 Johnson
D309,956	S	8/1990 Sikora et al.	D425,013	S	5/2000 Lai
D315,612	S	3/1991 Hughes et al.	6,089,732	A	7/2000 Wright et al.
D316,457	S	4/1991 De'Armond	D429,362	S	8/2000 Landefeld
D321,408	S	11/1991 Hughes et al.	6,128,868	A	10/2000 Ohtsuka et al.
5,068,769	A	11/1991 Umeda et al.	6,152,583	A	11/2000 Mier-Langner
D323,897	S	2/1992 Compton	D434,873	S	12/2000 Jaspers-Fayers et al.
5,086,379	A	2/1992 Denison et al.	D437,958	S	2/2001 Doron, Jr. et al.
5,158,348	A	10/1992 Sakamoto et al.	D440,692	S	4/2001 Janos et al.
5,174,648	A	12/1992 Clary et al.	D442,139	S	5/2001 Sasaoka
D336,536	S	6/1993 Shaanan et al.	D442,313	S	5/2001 Wojtkowiak et al.
D336,964	S	6/1993 Janssen et al.	D442,319	S	5/2001 Hsu
D337,835	S	7/1993 Donato et al.	D444,258	S	6/2001 Bradford et al.
D338,980	S	8/1993 Dieperink	6,250,781	BI	6/2001 Straus et al.
5,232,518	A	8/1993 Nath et al.	D444,584	S	7/2001 Landefeld
D343,245	S	1/1994 Fouke et al.	D445,943	S	7/2001 Littman
D343,250	S	1/1994 Fouke et al.	D446,340	S	8/2001 Bradford et al.
D343,251	S	1/1994 Fouke et al.	D447,590	S	9/2001 Raouf et al.
5,278,737	A	1/1994 Luce et al.	6,290,376	BI	9/2001 Gutierrez et al.
			D454,975	S	3/2002 De'Armond et al.
			D456,551	S	4/2002 Russello et al.



# US D610,295 S

Page 3

---

D456,552 S	4/2002	Russello et al.	D494,701 S	8/2004	Campbell
D456,553 S	4/2002	Russello et al.	D495,087 S	8/2004	Brown et al.
D456,926 S	5/2002	Gaskins et al.	D497,226 S	10/2004	Nauert
D456,927 S	5/2002	Russello et al.	D501,057 S	1/2005	Haugaard et al.
D456,928 S	5/2002	Russello et al.	D504,536 S	4/2005	Emory et al.
D456,929 S	5/2002	Russello et al.	D515,231 S	2/2006	Randazzo et al.
D456,930 S	5/2002	Russello et al.	D518,221 S *	3/2006	Randazzo et al. .... D26/68
D459,915 S	6/2002	Gaskins et al.	D531,342 S	10/2006	Kauffman et al.
D459,919 S	6/2002	Russello et al.	D537,196 S	2/2007	Summerford et al.
D460,575 S	7/2002	Tergny et al.	D537,555 S	2/2007	Summerford et al.
6,422,709 B1	7/2002	Panagiotou	D537,556 S	2/2007	Summerford et al.
D465,048 S	10/2002	Gaskins et al.	7,244,050 B2	7/2007	Summerford et al.
D465,063 S	10/2002	De'Armond	D550,388 S *	9/2007	Binsukor ..... D26/67
D465,848 S	11/2002	Gehrke et al.	D555,821 S	11/2007	Russello et al.
6,481,875 B1	11/2002	Bryant	D556,357 S	11/2007	Butler et al.
D467,030 S	12/2002	Gaskins et al.	7,296,914 B1	11/2007	Russello et al.
D468,051 S	12/2002	Gaskins et al.	D556,935 S	12/2007	Quioque et al.
D468,472 S	1/2003	Mullally et al.	D556,938 S	12/2007	Russello et al.
D469,565 S	1/2003	Anderson et al.	D558,374 S *	12/2007	Sandell ..... D26/71
D472,339 S	3/2003	Russello et al.	D562,491 S *	2/2008	DiCola ..... D26/85
D476,771 S	7/2003	Herst et al.	D565,227 S *	3/2008	Haugaard et al. .... D26/71
D479,624 S	9/2003	Svendson et al.	D572,403 S	7/2008	Walker
D481,158 S	10/2003	Cline	D573,289 S *	7/2008	Xu et al. .... D26/67
D481,159 S	10/2003	Walker	D575,900 S	8/2008	Summerford et al.
D482,487 S	11/2003	Russello et al.	D580,085 S *	11/2008	Svensson ..... D26/71
D484,632 S	12/2003	Lamolinara et al.	D585,580 S	1/2009	Riffel et al.
D487,600 S	3/2004	Fickas	D592,346 S *	5/2009	Gill ..... D26/71
D488,253 S	4/2004	Chen			

\* cited by examiner

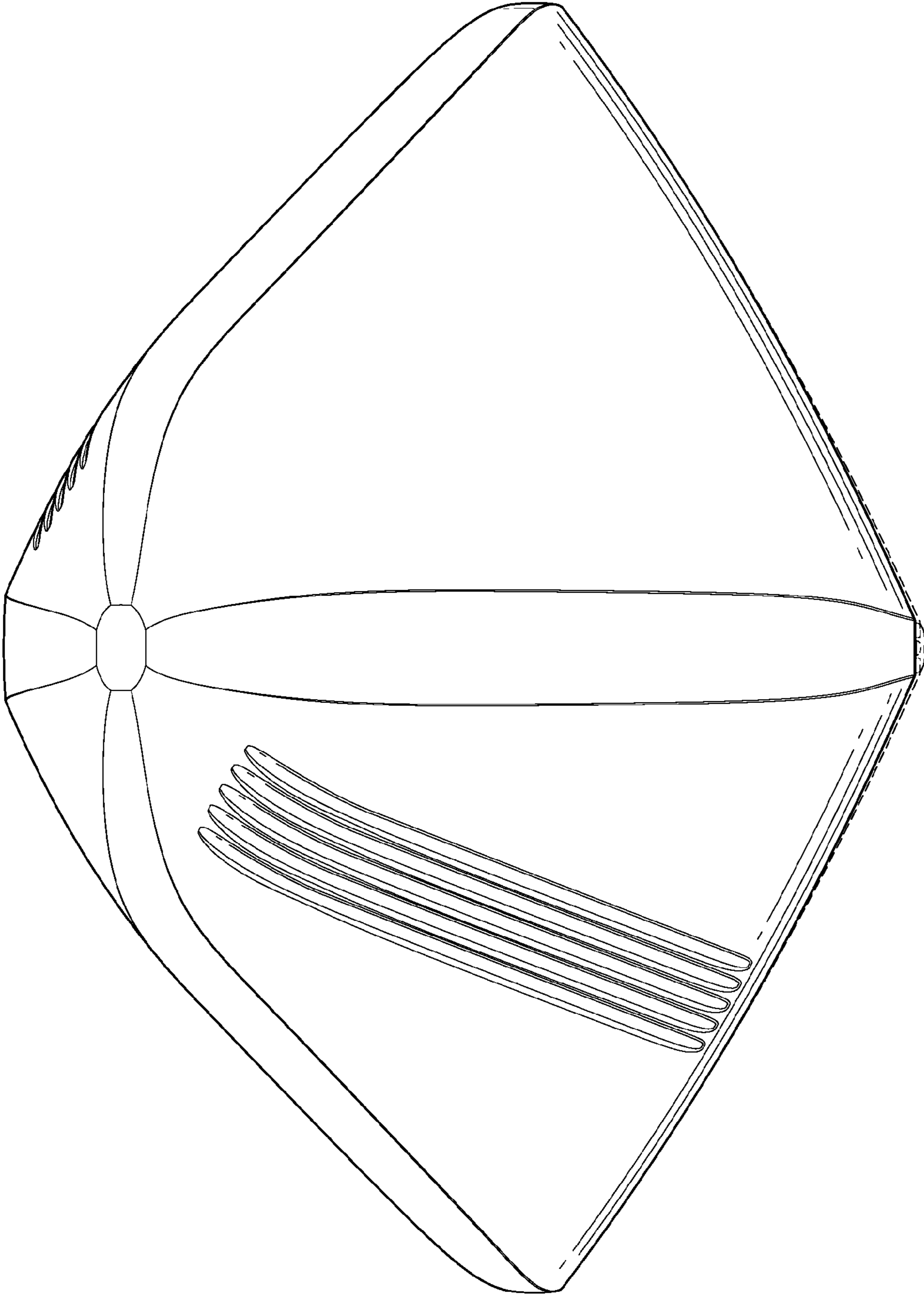


FIG. 1

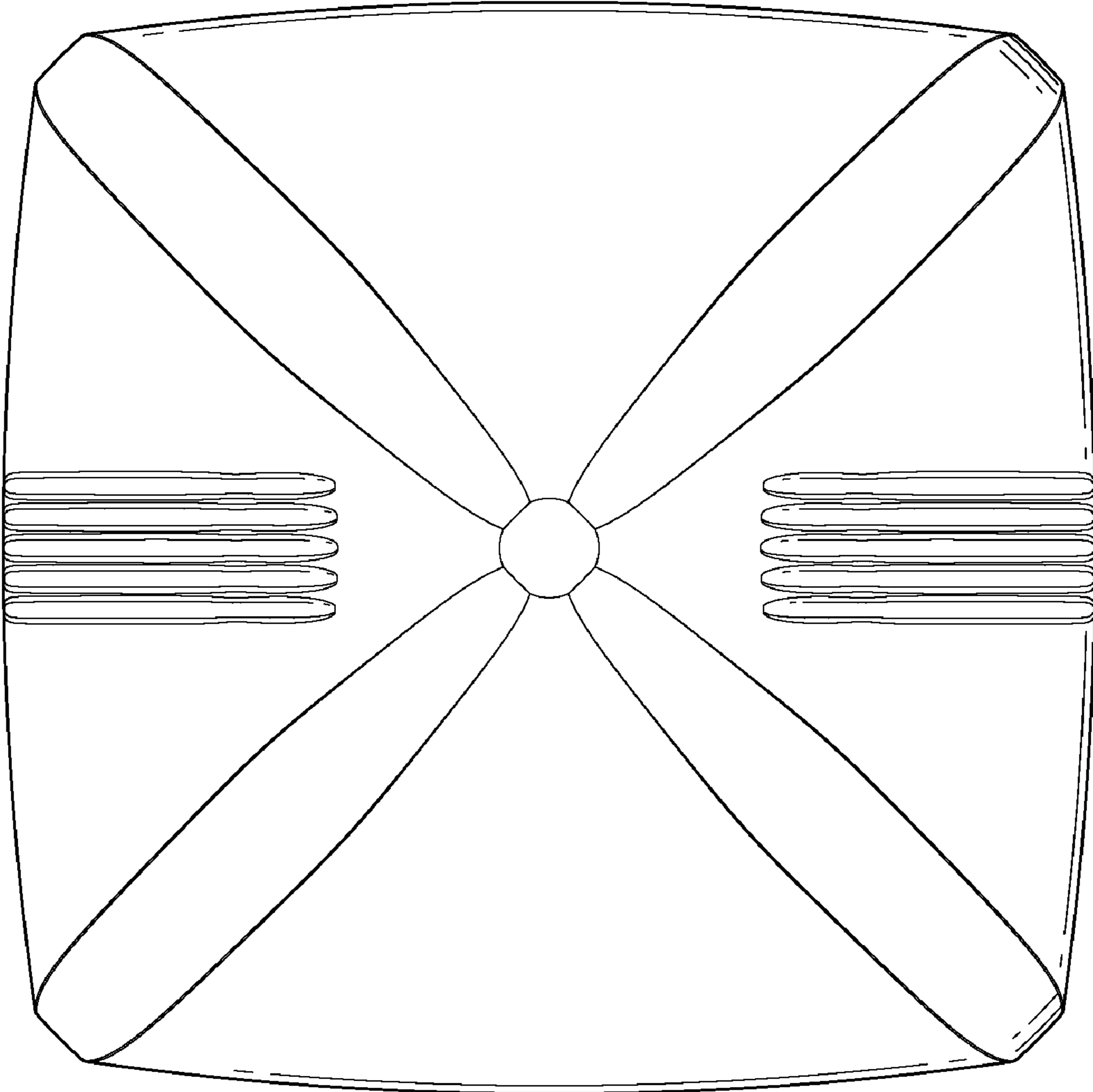


FIG. 2

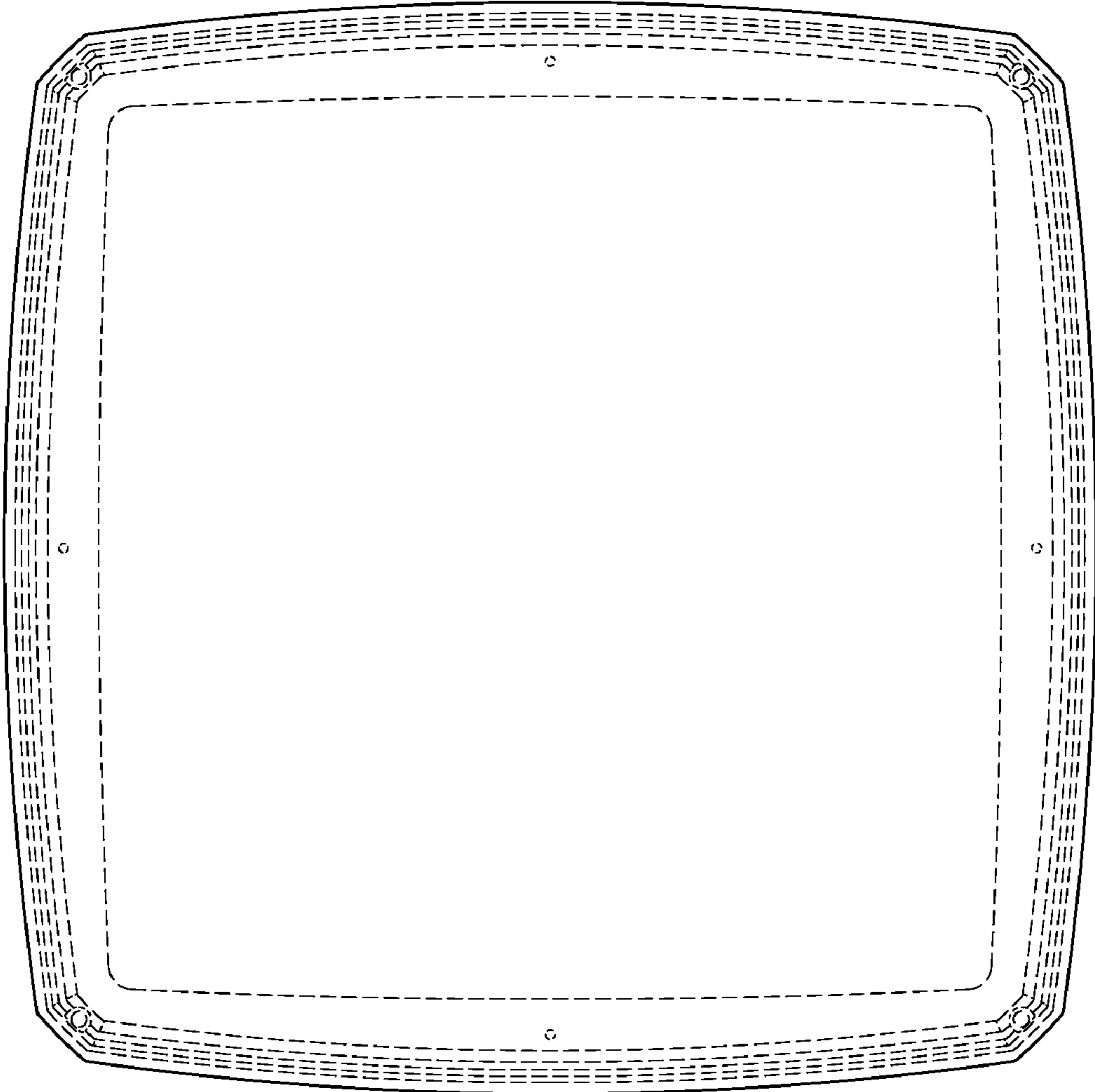


FIG. 3

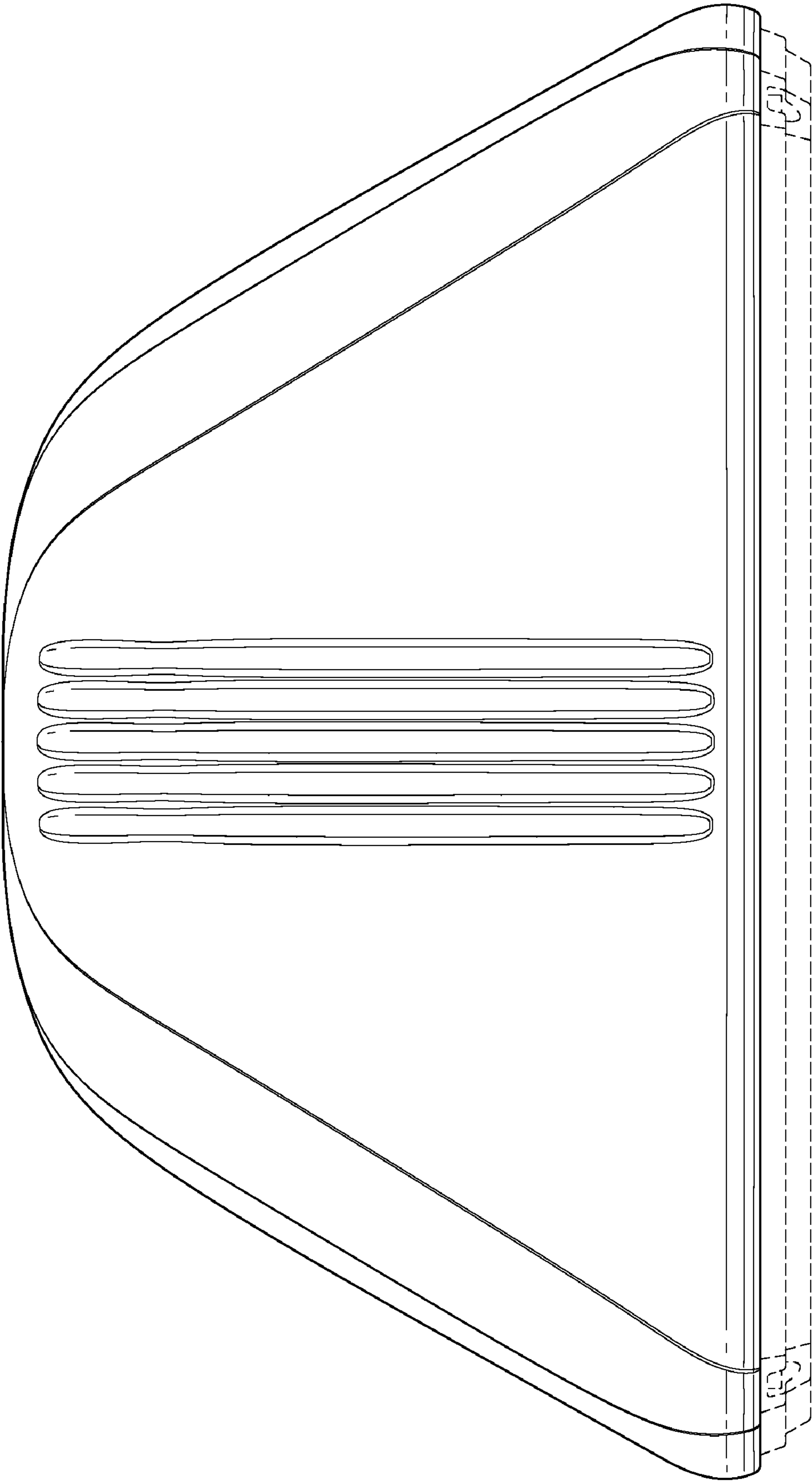


FIG. 4

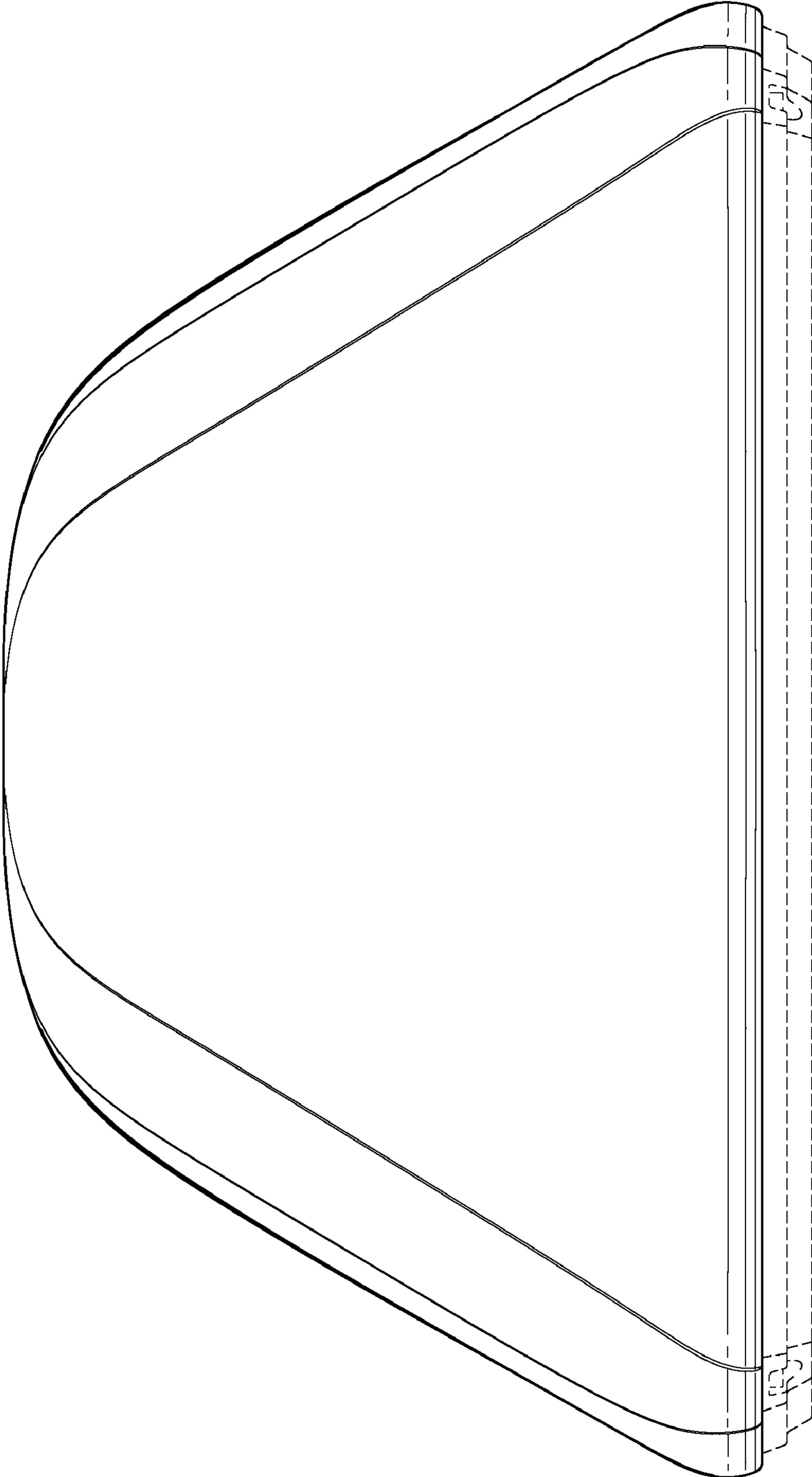


FIG. 5