



US00D610294S

(12) **United States Design Patent**  
**Theusch**

(10) **Patent No.:** **US D610,294 S**

(45) **Date of Patent:** **\*\* Feb. 16, 2010**

(54) **LUMINAIRE**

(75) Inventor: **Dawn Theusch**, Chicago, IL (US)

(73) Assignee: **Kenall Mfg. Co.**, Gurnee, IL (US)

(\*\*) Term: **14 Years**

(21) Appl. No.: **29/342,941**

(22) Filed: **Sep. 3, 2009**

(51) **LOC (9) Cl.** ..... **26-03**

(52) **U.S. Cl.** ..... **D26/76**

(58) **Field of Classification Search** ..... D26/26,  
D26/37, 67, 72, 74-79, 80, 85, 104, 108,  
D26/118, 120, 122, 134; 362/147-148, 150,  
362/217-225, 132, 260, 262-264, 267, 294,  
362/345, 362, 364, 373, 376, 440  
See application file for complete search history.

(56) **References Cited**

**U.S. PATENT DOCUMENTS**

D132,982 S *	7/1942	Beck	.....	D26/77
D135,375 S *	3/1943	Biller	.....	D26/76
D140,343 S *	2/1945	Nitardy	.....	D26/76
2,474,308 A *	6/1949	Franck et al.	.....	362/224
2,490,191 A *	12/1949	Baker	.....	362/223
D187,337 S *	3/1960	Arnold	.....	D26/76
D397,481 S *	8/1998	Schafer	.....	D26/85
D455,518 S *	4/2002	Littman	.....	D26/87

D465,048 S *	10/2002	Gaskins et al.	.....	D26/72
7,204,603 B1 *	4/2007	Lanczy et al.	.....	362/150
D589,639 S *	3/2009	Silver	.....	D26/85
7,530,716 B2 *	5/2009	Mayfield et al.	.....	362/299

\* cited by examiner

*Primary Examiner*—Philip S Hyder

*Assistant Examiner*—Susan E Krakower

(74) *Attorney, Agent, or Firm*—Jansson Shupe & Munger Ltd.

(57) **CLAIM**

The ornamental design for a luminaire, as shown and described.

**DESCRIPTION**

FIG. 1 is a perspective view of the luminaire;

FIG. 2 is a front view of FIG. 1;

FIG. 3 is a side view of FIG. 1;

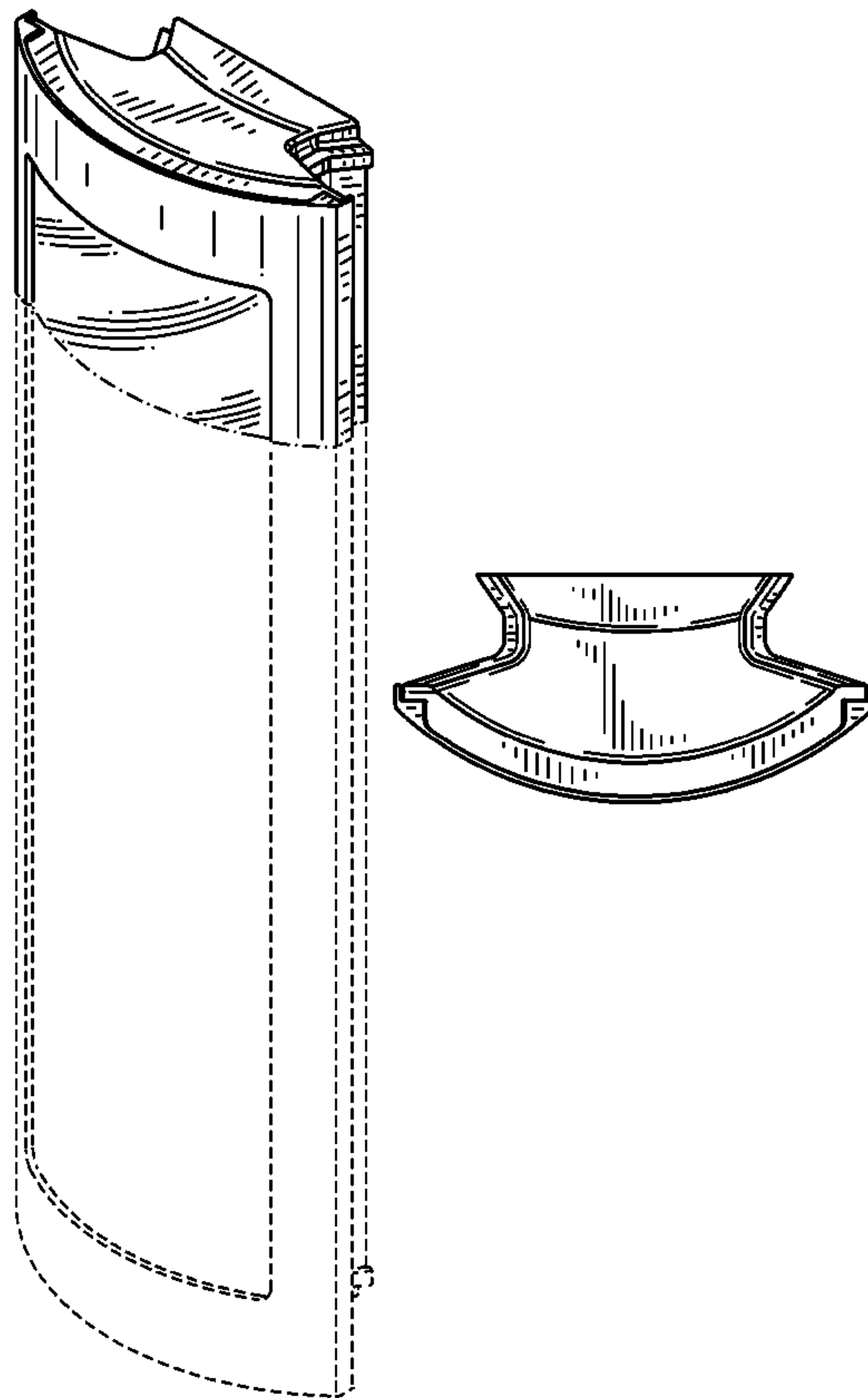
FIG. 4 is an end view of FIG. 1; and,

FIG. 5 is a rear view of FIG. 1.

The dash-dash-dash broken lines illustrate portions of the luminaire that form no part of the claimed design.

The dash-dot-dash broken lines represent the boundaries of the claim and form no part of the claimed design.

**1 Claim, 4 Drawing Sheets**



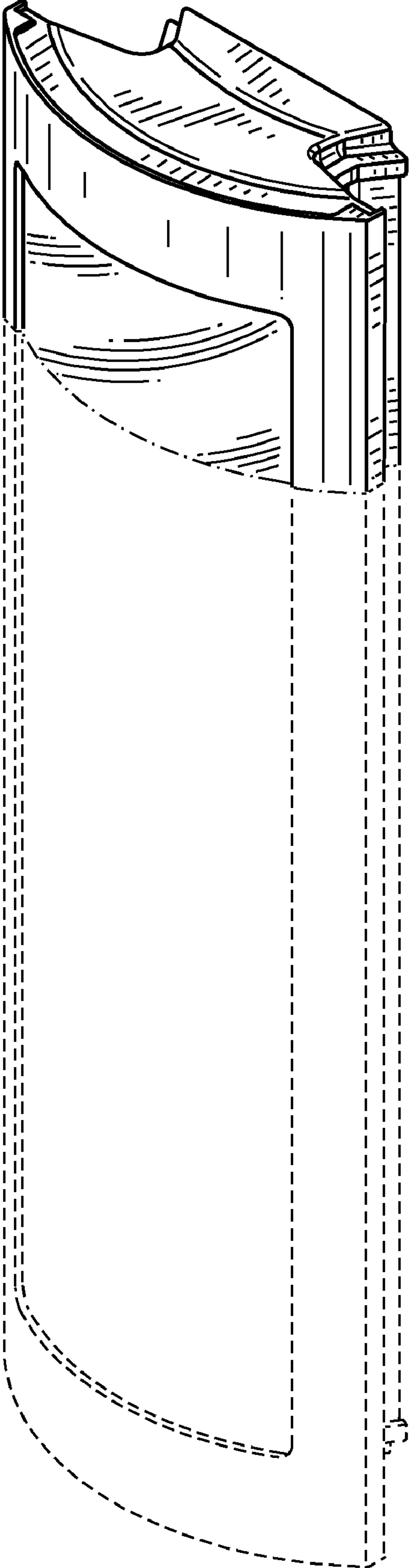


FIG. 1

FIG. 2

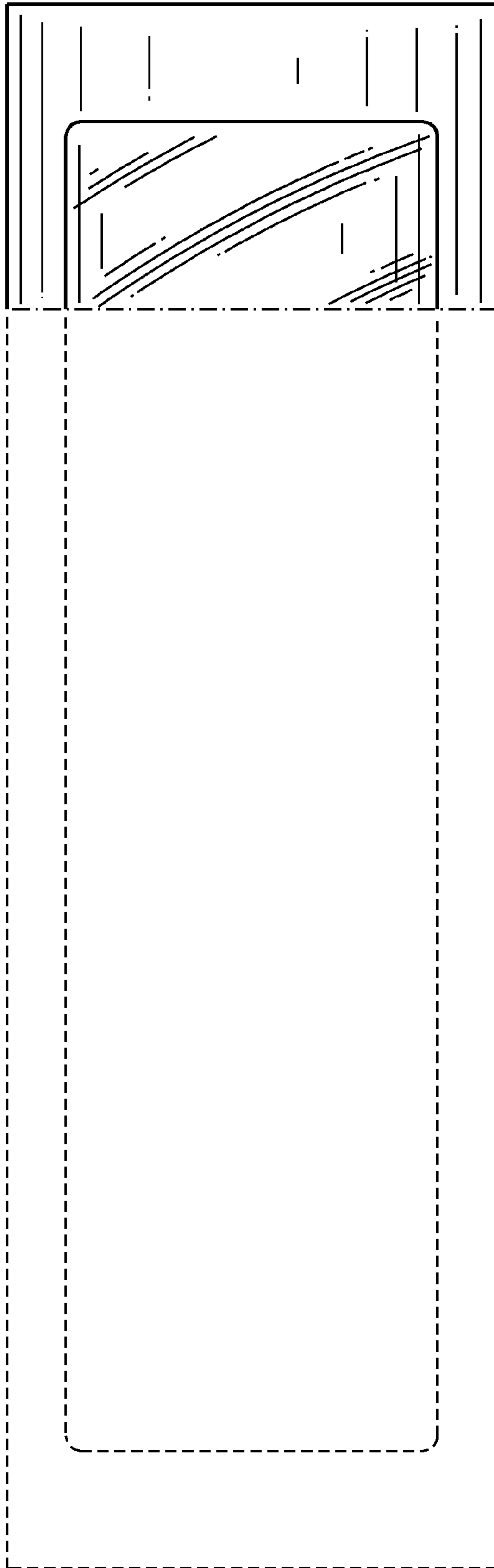
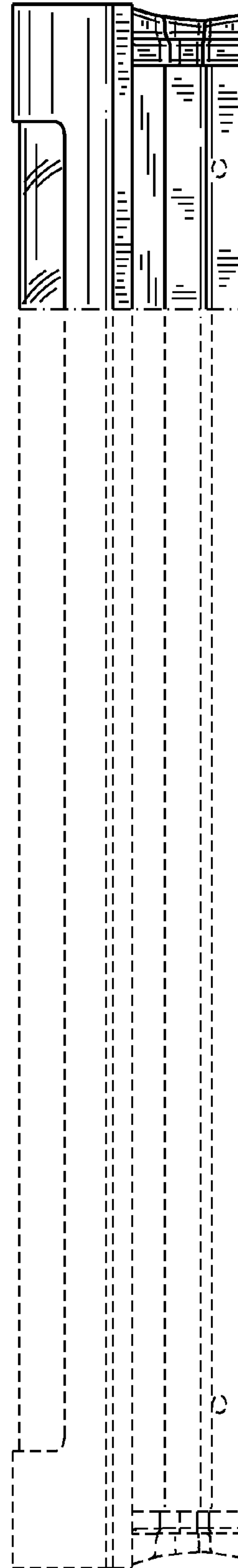


FIG. 3



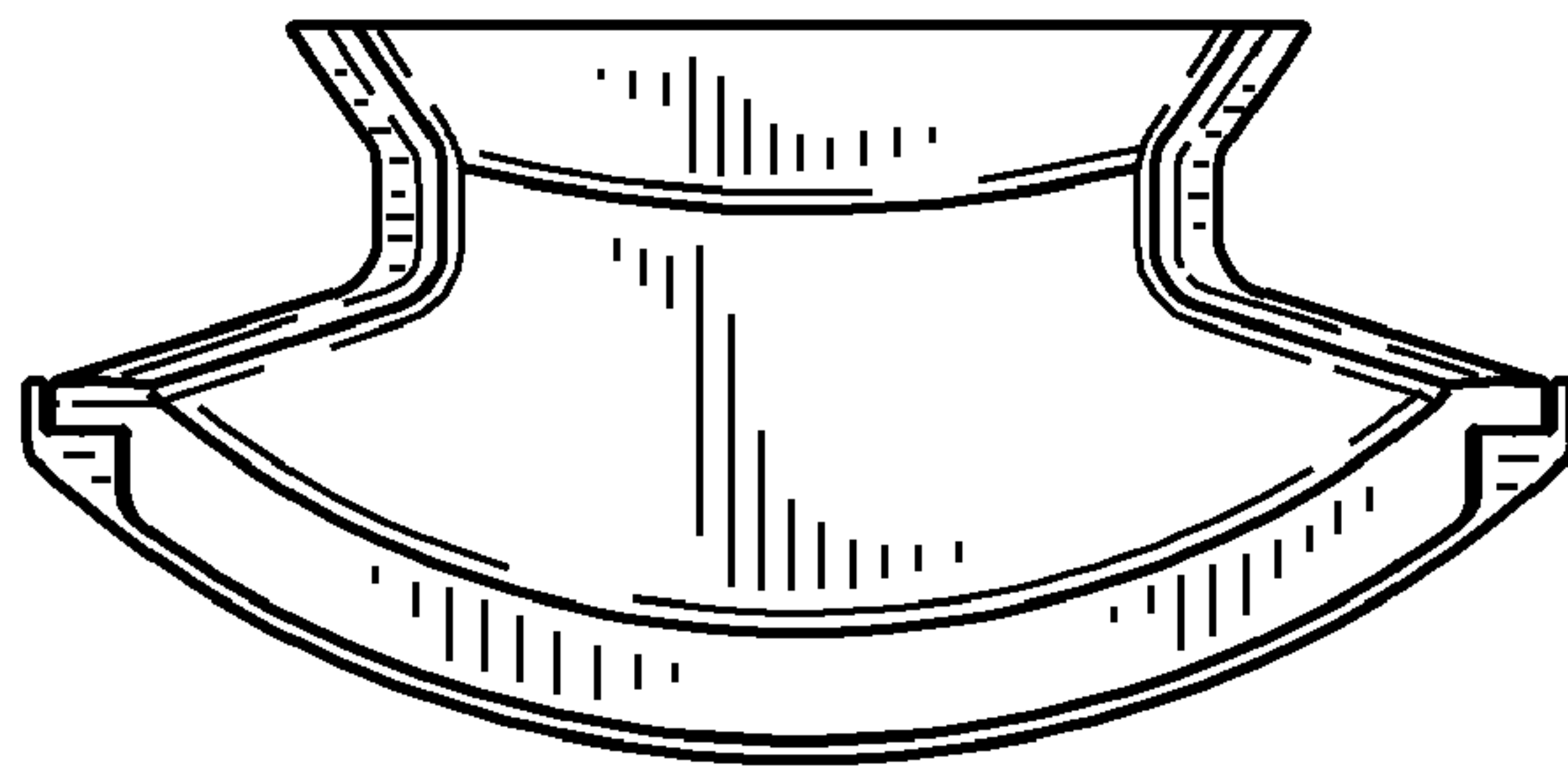


FIG. 4

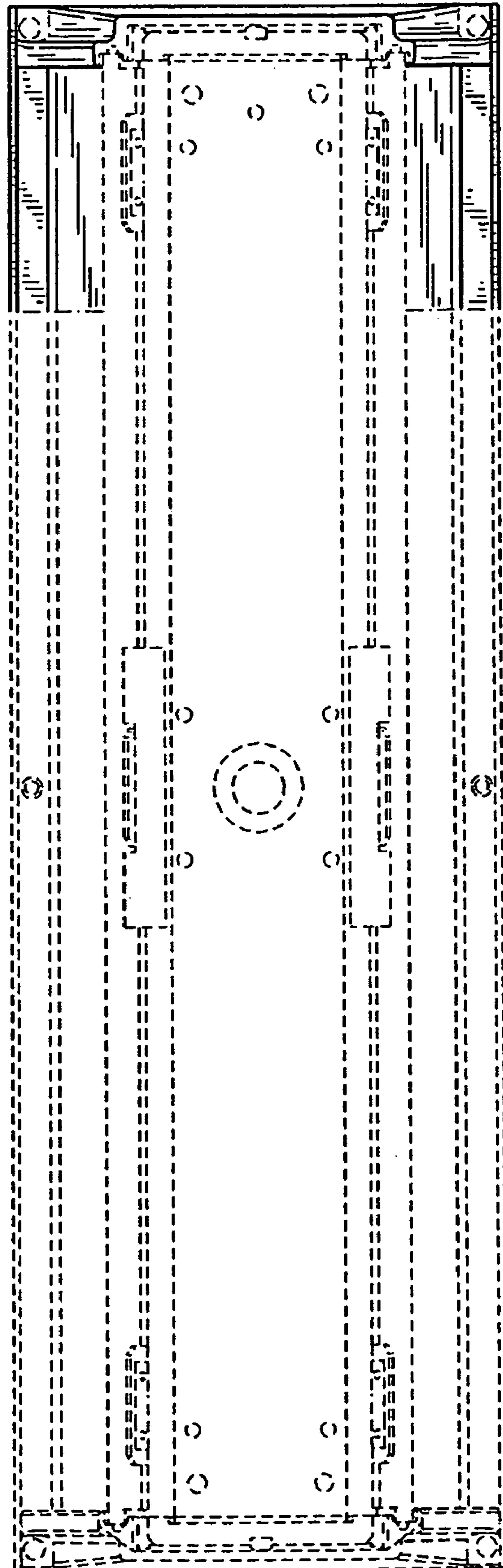


FIG. 5