



US00D610292S

(12) **United States Design Patent**  
**Yoshinobu et al.**

(10) **Patent No.:** **US D610,292 S**  
(45) **Date of Patent:** **\*\* Feb. 16, 2010**

(54) **RECESSED LIGHTING FIXTURE**  
(75) Inventors: **Masayuki Yoshinobu**, Tokyo (JP);  
**Sumio Hashimoto**, Kanagawa-Ken (JP);  
**Takayoshi Moriyama**, Kanagawa-Ken  
(JP); **Kazunari Higuchi**, Kanagawa-Ken  
(JP)

(73) Assignees: **Toshiba Lighting & Technology Corporation**, Tokyo (JP); **Kabushiki Kaisha Toshiba**, Tokyo (JP)

(\*\*) Term: **14 Years**

(21) Appl. No.: **29/336,069**

(22) Filed: **Apr. 28, 2009**

(30) **Foreign Application Priority Data**  
Oct. 31, 2008 (JP) ..... 2008-028089

(51) **LOC (9) Cl.** ..... **26-05**  
(52) **U.S. Cl.** ..... **D26/74**  
(58) **Field of Classification Search** ..... D26/26,  
D26/37, 67, 72, 74-79, 80, 104, 108, 118,  
D26/120; 362/147-148, 150, 217-225, 132,  
362/240, 260, 262-264, 267, 345-346, 440;  
D13/180; D23/370, 371, 385  
See application file for complete search history.

(56) **References Cited**  
U.S. PATENT DOCUMENTS

- D326,537 S \* 5/1992 Gattari ..... D26/74
- D404,122 S \* 1/1999 Hayashi et al. .... D23/370
- D414,550 S \* 9/1999 Bloom ..... D23/328
- D441,856 S \* 5/2001 Wettergren ..... D23/328
- D485,006 S \* 1/2004 Huang ..... D26/118
- D487,816 S \* 3/2004 Benghozi ..... D26/118
- D539,464 S 3/2007 Dworschak

- D552,780 S \* 10/2007 Starck ..... D26/63
- D573,294 S \* 7/2008 Chan et al. .... D26/74
- D574,541 S \* 8/2008 Matsumoto et al. .... D26/74
- D581,083 S \* 11/2008 Chan et al. .... D26/74
- D595,452 S \* 6/2009 Khang et al. .... D26/138
- 2009/0067172 A1 \* 3/2009 Inoue et al. .... 362/240

**FOREIGN PATENT DOCUMENTS**

JP D1293407 1/2007

\* cited by examiner

*Primary Examiner*—Philip S Hyder  
*Assistant Examiner*—Susan E Krakower  
(74) *Attorney, Agent, or Firm*—J.C. Patents

(57) **CLAIM**

The ornamental design for a recessed lighting fixture, as shown and described.

**DESCRIPTION**

FIG. 1 is a perspective view of a recessed lighting fixture showing our new design.

FIG. 2 is a front view thereof.

FIG. 3 is a rear view thereof.

FIG. 4 is a left side view thereof.

FIG. 5 is a right side view thereof.

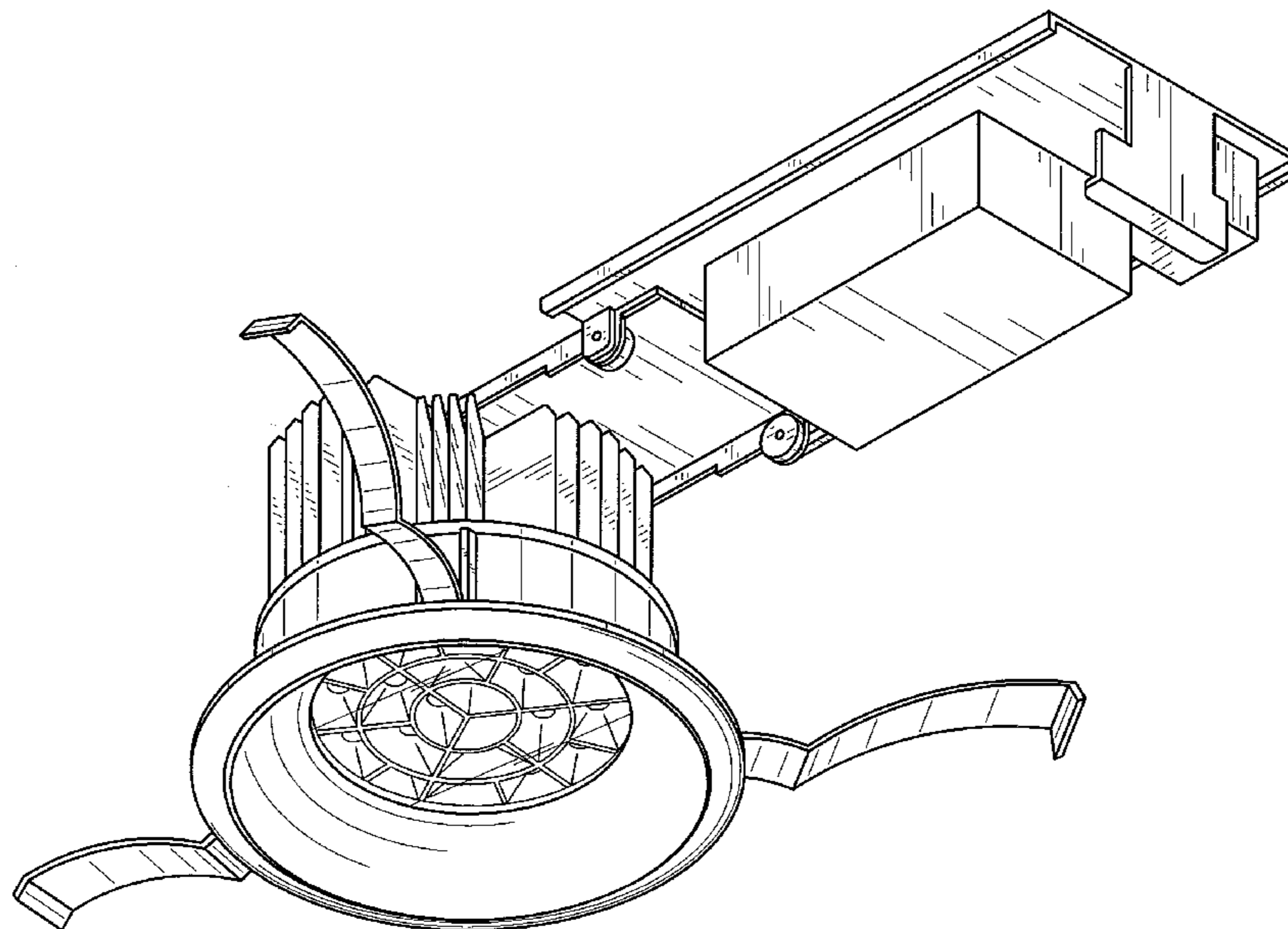
FIG. 6 is a top view thereof.

FIG. 7 is a bottom view thereof; and,

FIG. 8 is an enlarged cross-sectional view taken along line 8—8 in FIG. 6, with the internal parts omitted for ease of illustration.

The broken lines showing portions of the omitted internal structure of the recessed lighting fixture in FIG. 8 form no part of the claimed design.

**1 Claim, 6 Drawing Sheets**



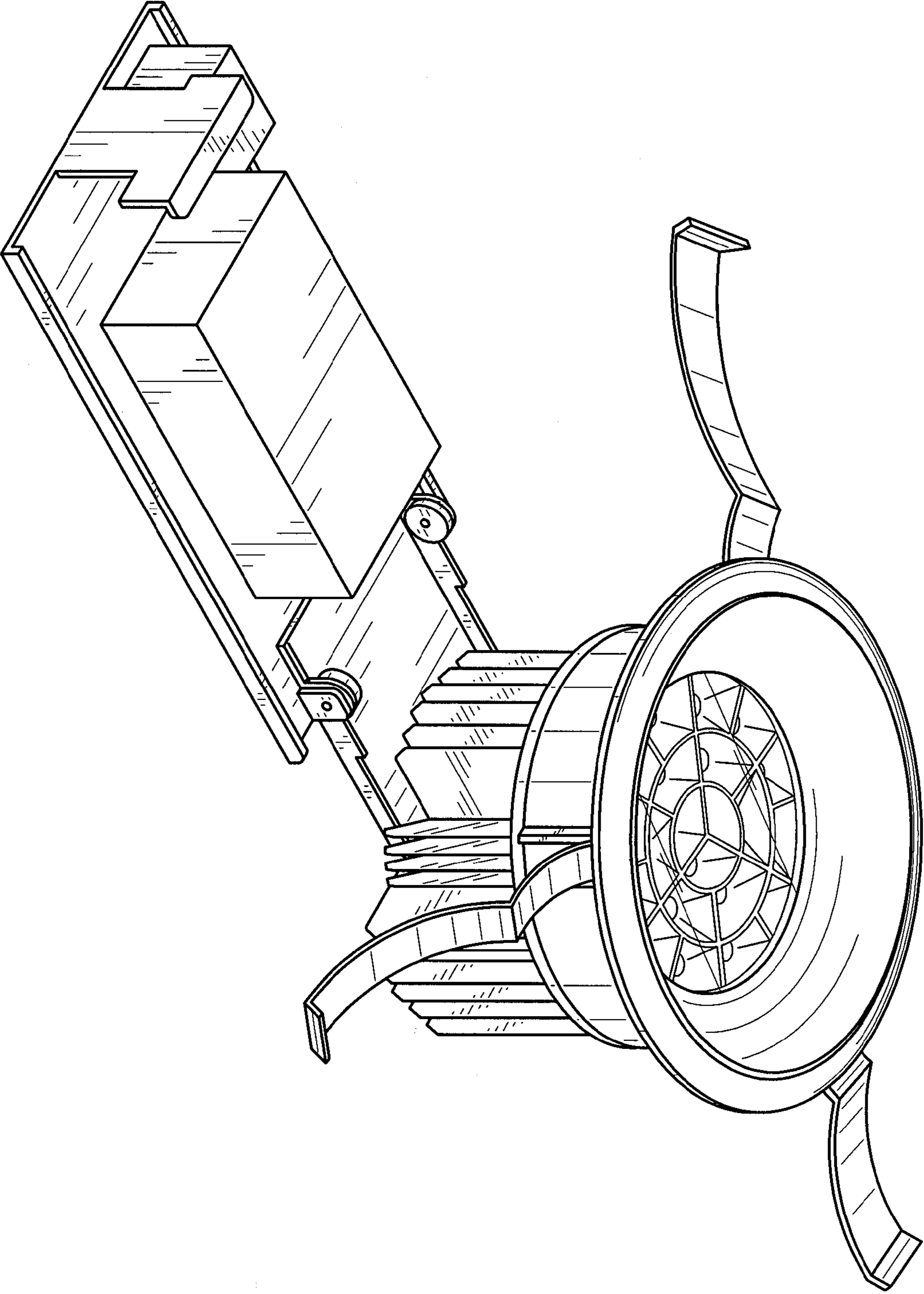


FIG. 1

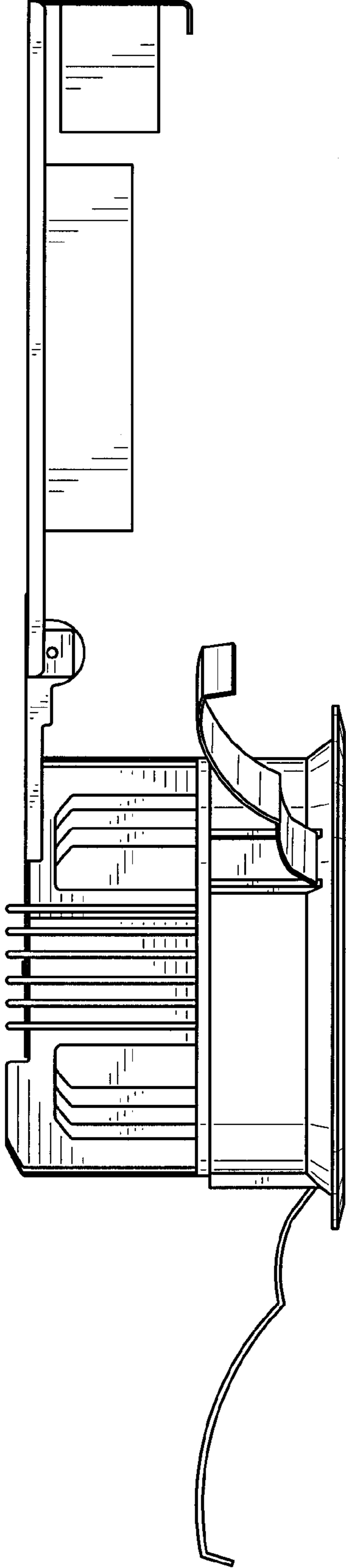


FIG. 2

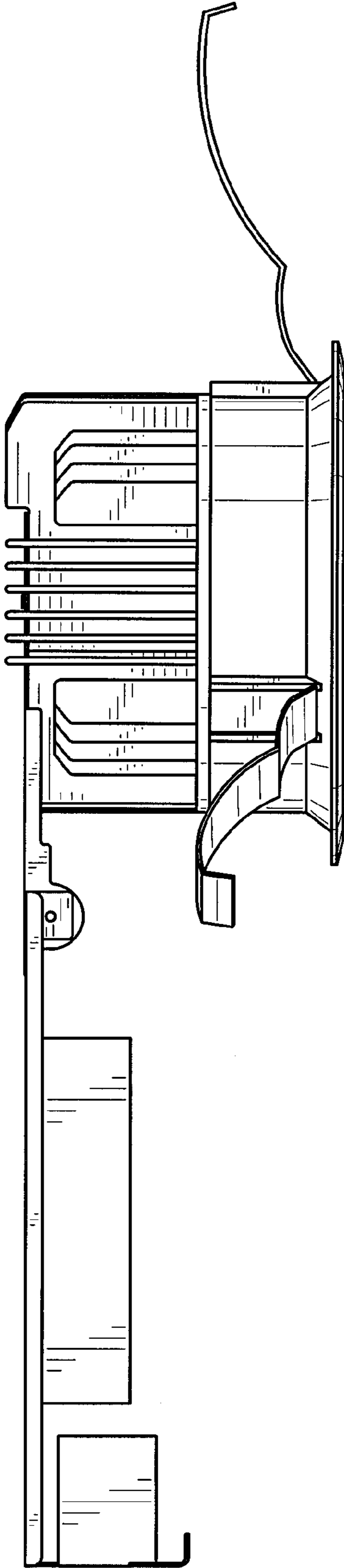


FIG. 3

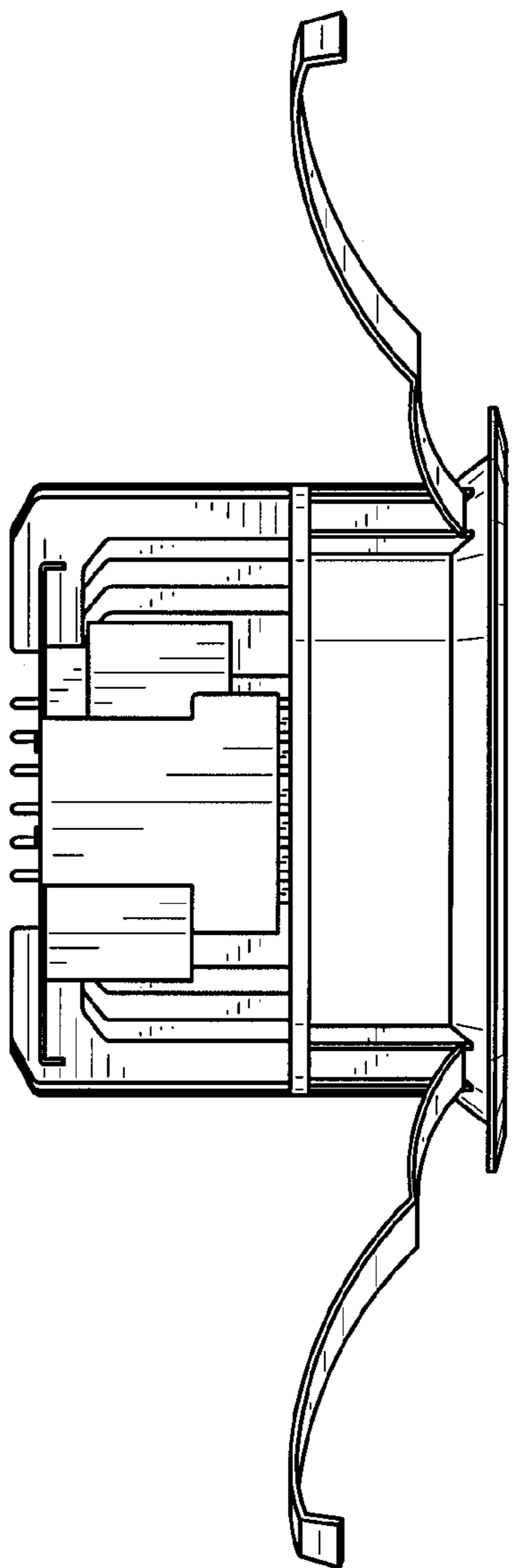


FIG. 4

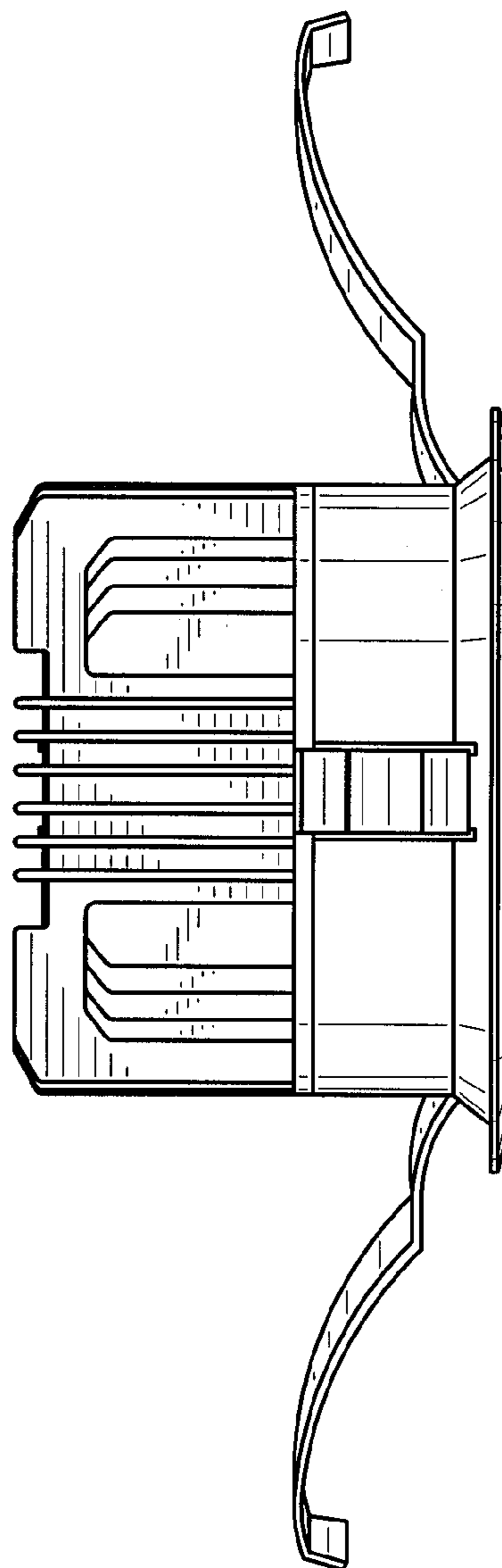


FIG. 5

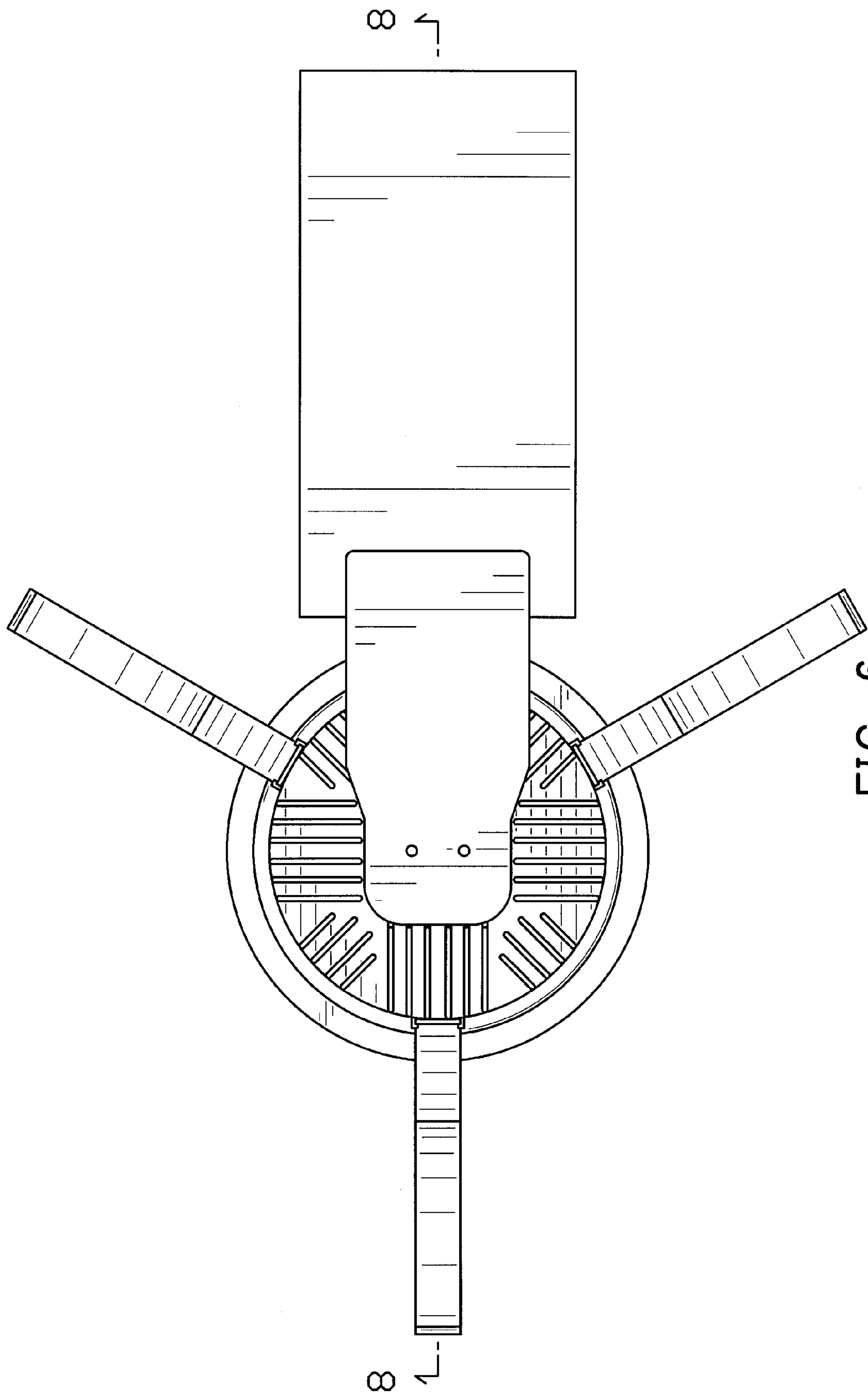


FIG. 6

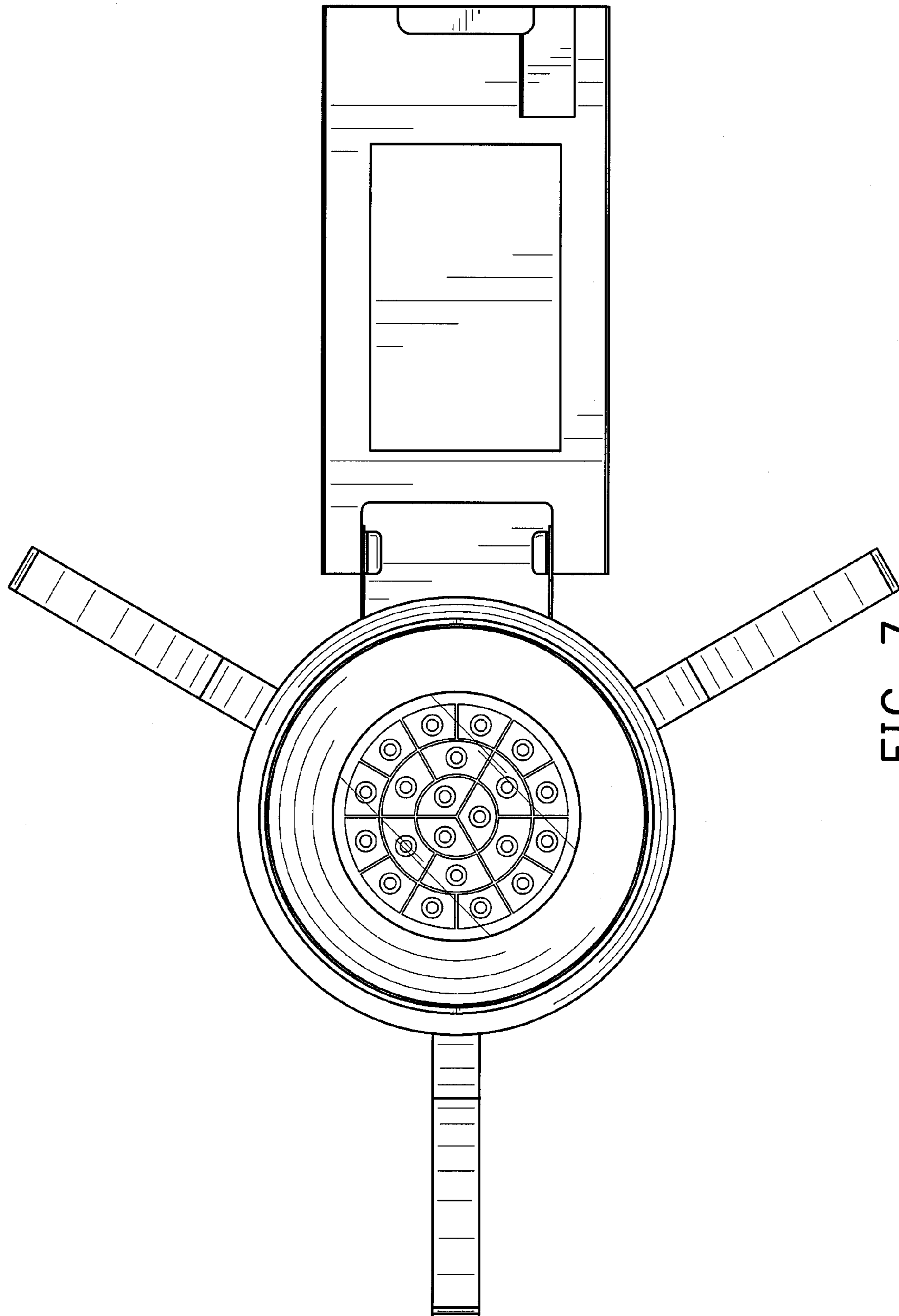


FIG. 7

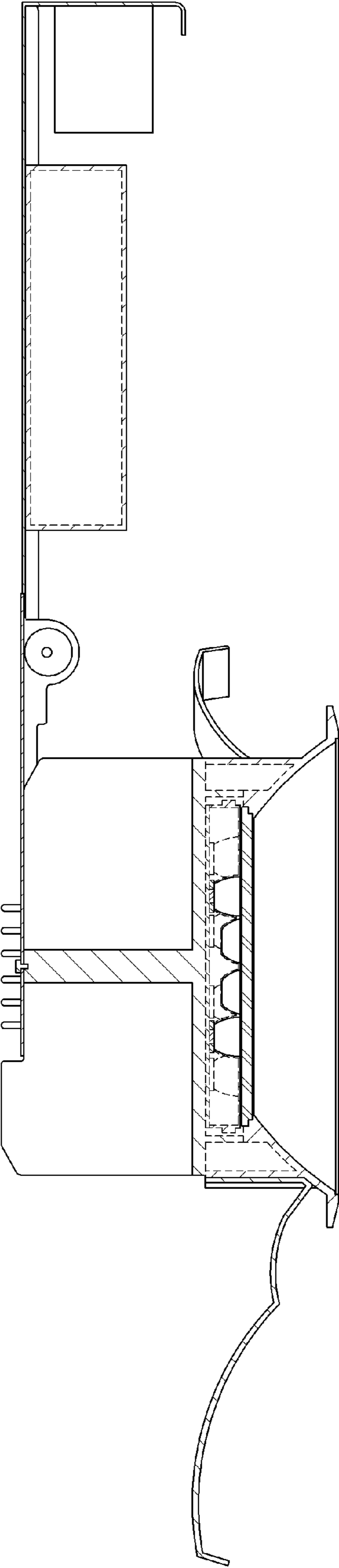


FIG. 8