



US00D610291S

(12) **United States Design Patent**
Yoshinobu et al.

(10) **Patent No.:** **US D610,291 S**

(45) **Date of Patent:** **** *Feb. 16, 2010**

(54) **RECESSED LIGHTING FIXTURE**

(75) Inventors: **Masayuki Yoshinobu**, Tokyo (JP);
Kazunari Higuchi, Tokyo (JP);
Takayoshi Moriyama, Tokyo (JP);
Sumio Hashimoto, Tokyo (JP)

(73) Assignee: **Toshiba Lighting & Technology Corporation**, Tokyo (JP)

(*) Notice: This patent is subject to a terminal disclaimer.

(**) Term: **14 Years**

(21) Appl. No.: **29/328,310**

(22) Filed: **Nov. 21, 2008**

(30) **Foreign Application Priority Data**

May 26, 2008 (JP) 2008-013132

(51) **LOC (9) Cl.** **26-05**

(52) **U.S. Cl.** **D26/74**

(58) **Field of Classification Search** D26/26,
D26/37, 67, 72, 74-79, 80, 104, 108, 118,
D26/120; 362/147-148, 150, 217-225, 132,
362/260, 262-264, 267, 345, 440; D13/180;
D23/370, 371, 385

See application file for complete search history.

(56) **References Cited**

U.S. PATENT DOCUMENTS

2,252,264 A * 8/1941 Kurth 454/311
2,316,634 A * 4/1943 Spear 454/208
D157,406 S * 2/1950 Palma, Jr. D23/370
D157,642 S * 3/1950 Sutton D23/370
D171,986 S * 4/1954 Pearl D23/370
D300,877 S * 4/1989 Cyr D26/134

D320,862 S * 10/1991 Moeller et al. D26/24
D324,924 S * 3/1992 Bengochea D26/88
D326,537 S * 5/1992 Gattari D26/74
D404,122 S * 1/1999 Hayashi et al. D23/370
D414,550 S * 9/1999 Bloom D23/328
D441,856 S * 5/2001 Wettergren D23/328
D485,006 S * 1/2004 Huang D26/118
D573,294 S * 7/2008 Chan et al. D26/74
D574,541 S * 8/2008 Matsumoto et al. D26/74
D581,083 S * 11/2008 Chan et al. D26/74

FOREIGN PATENT DOCUMENTS

JP D1318676 1/2008

* cited by examiner

Primary Examiner—Philip S Hyder

Assistant Examiner—Susan E Krakower

(74) *Attorney, Agent, or Firm*—J.C. Patents

(57) **CLAIM**

The ornamental design for a recessed lighting fixture, as shown and described.

DESCRIPTION

FIG. 1 is a perspective view of a recessed lighting fixture showing our new design;

FIG. 2 is a front view thereof;

FIG. 3 is a rear view thereof;

FIG. 4 is a left side view thereof;

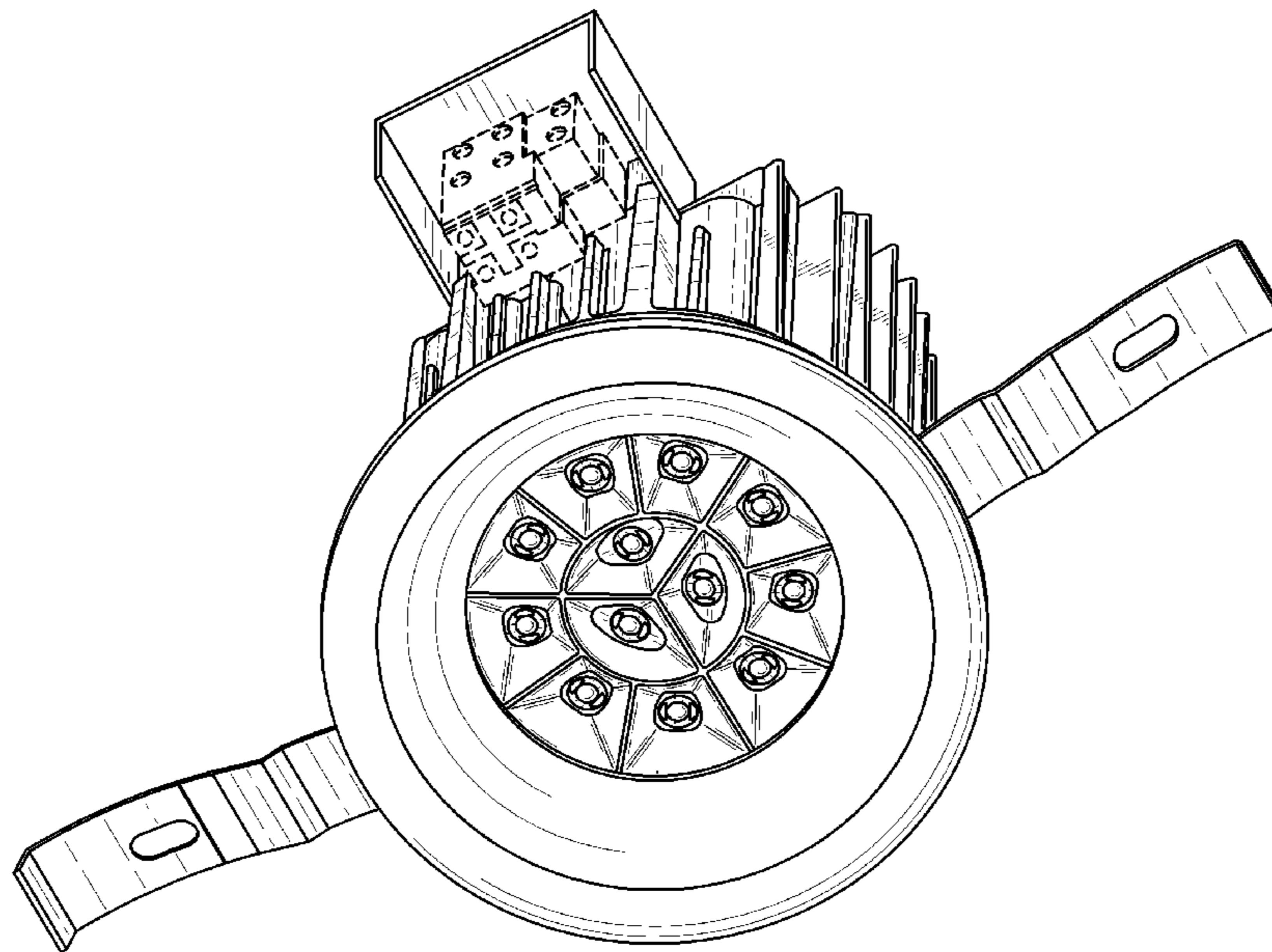
FIG. 5 is a right side view thereof;

FIG. 6 is a top view thereof; and,

FIG. 7 is a bottom view thereof.

The broken lines in the drawings depict unclaimed environmental subject matter.

1 Claim, 7 Drawing Sheets



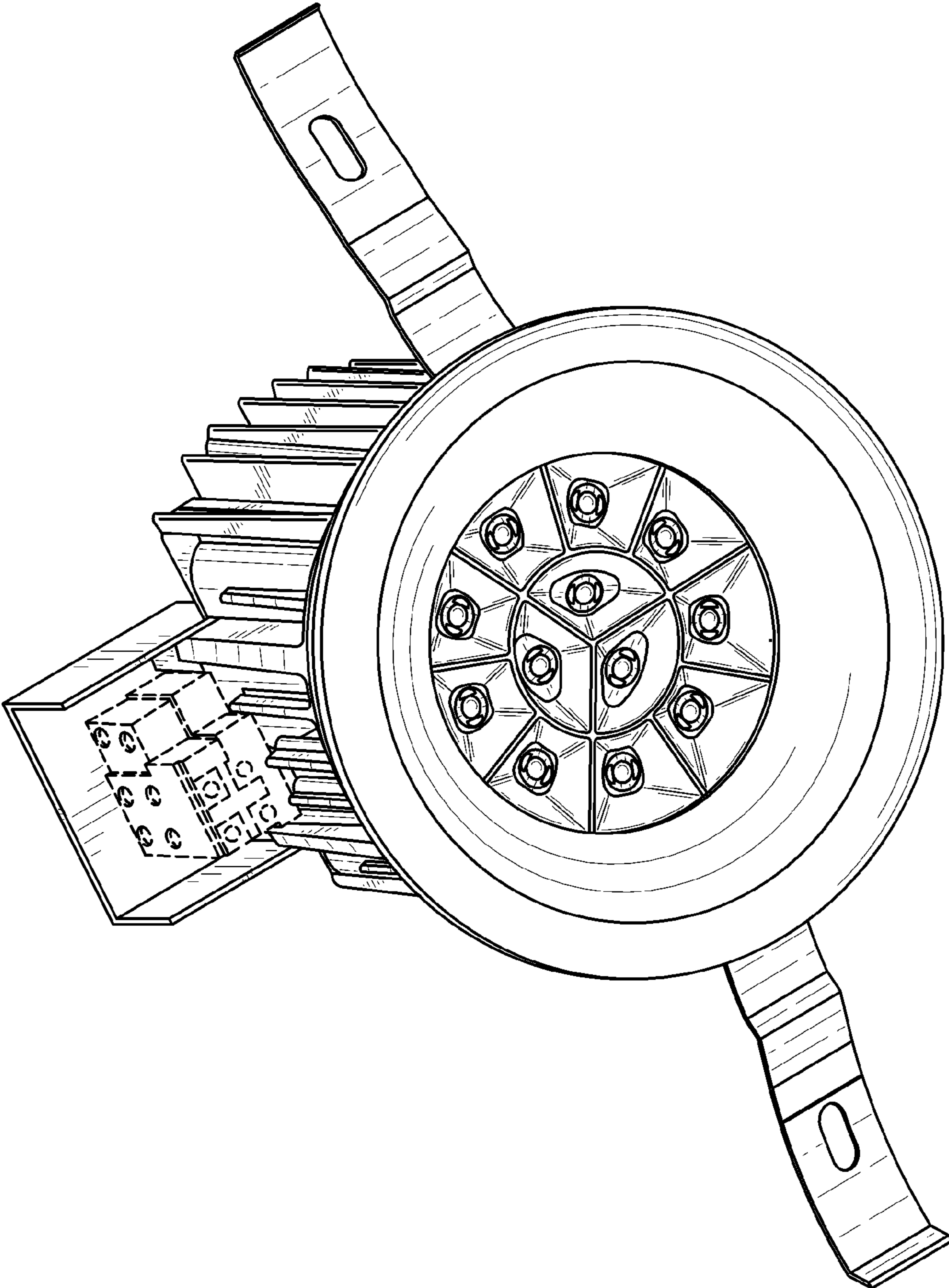


FIG. 1

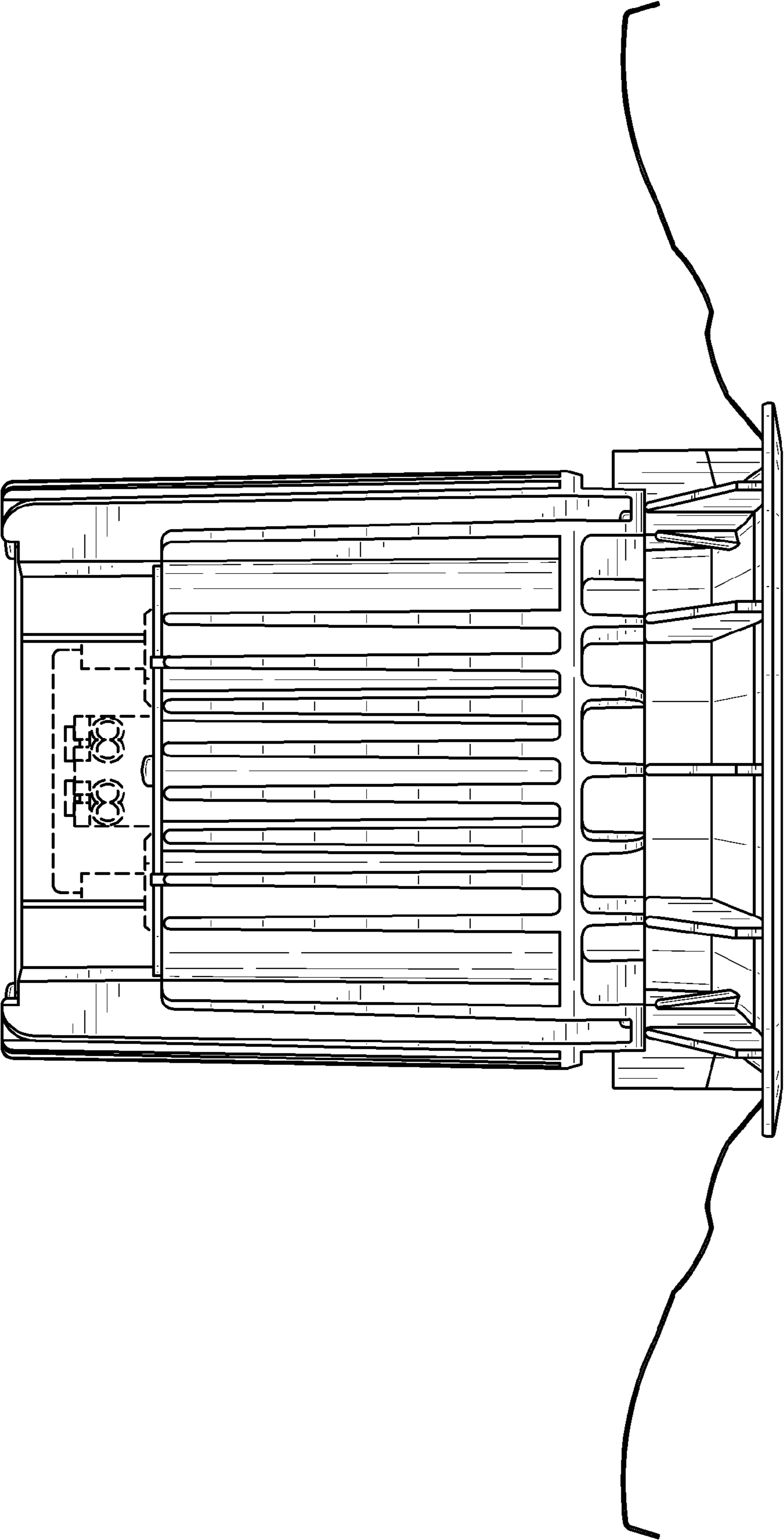


FIG. 2

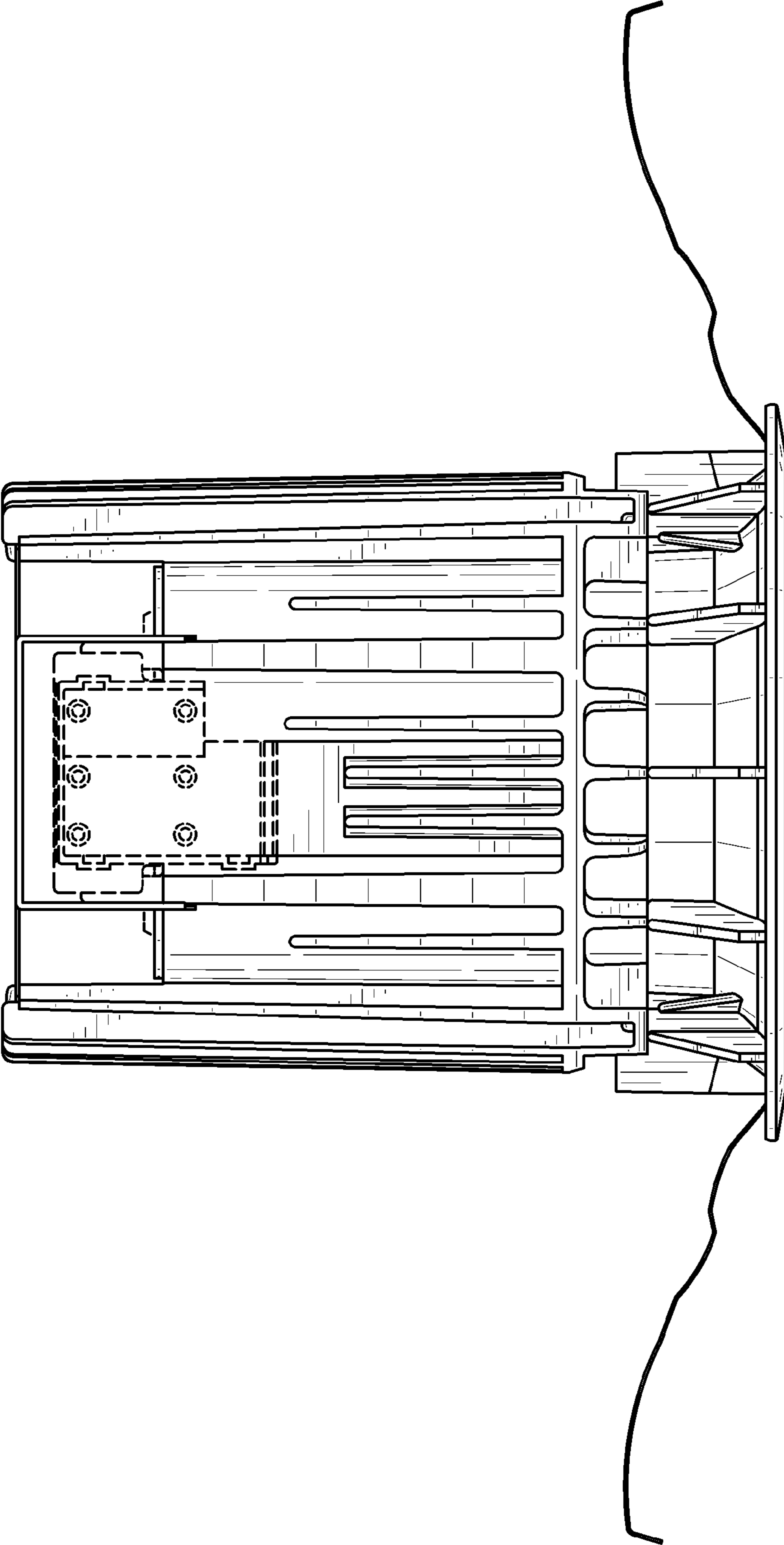


FIG. 3

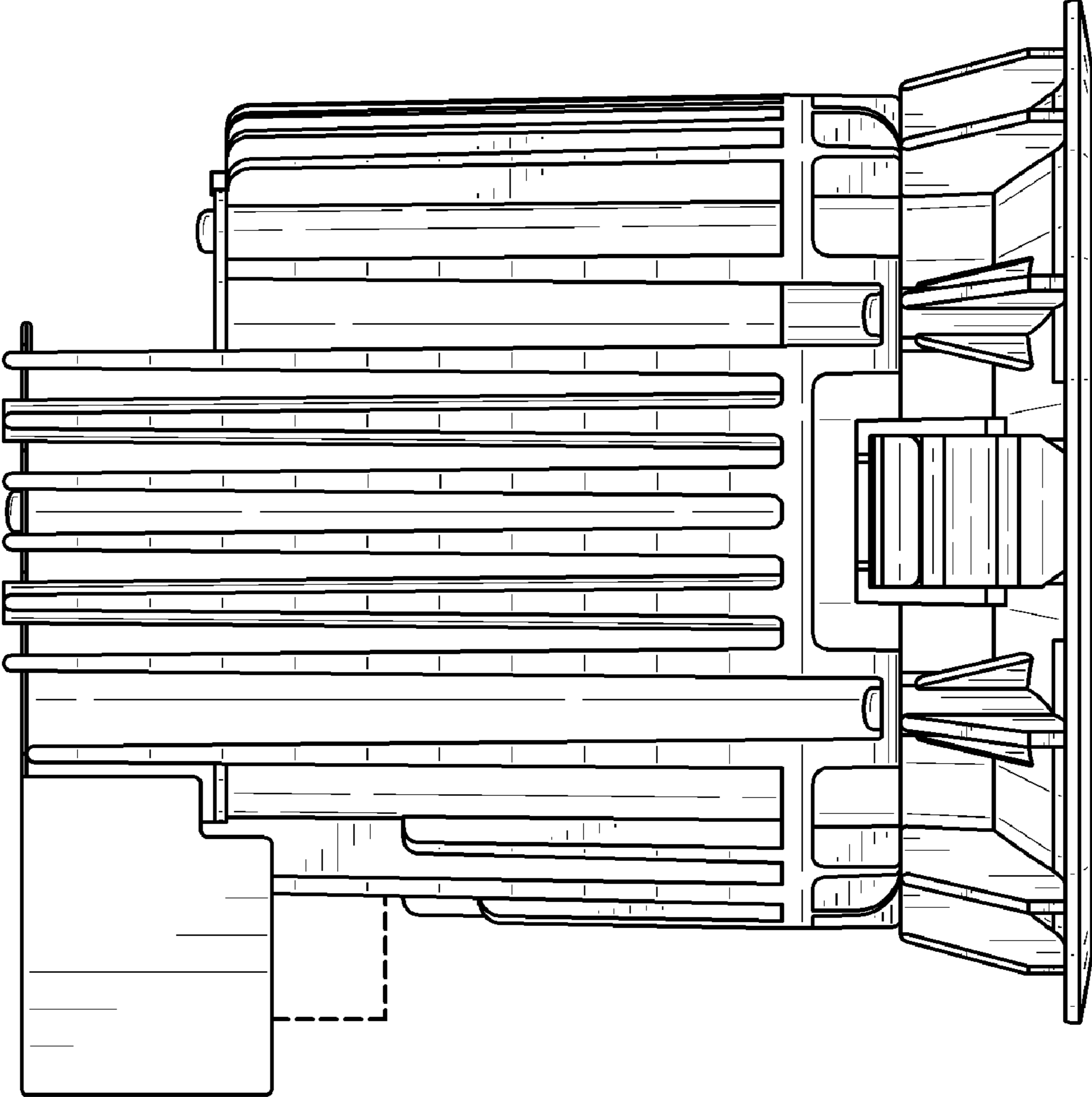


FIG. 4

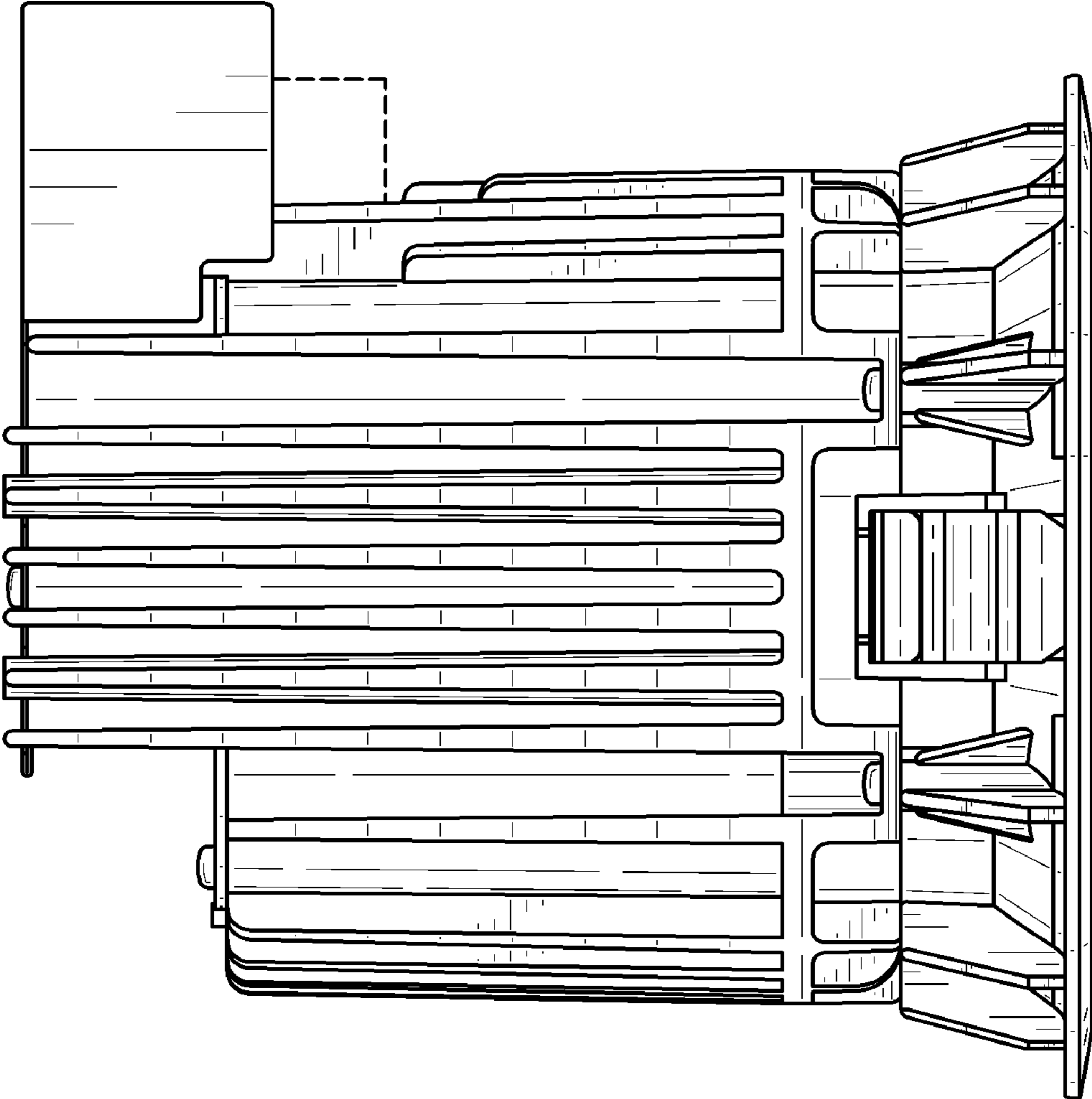


FIG. 5

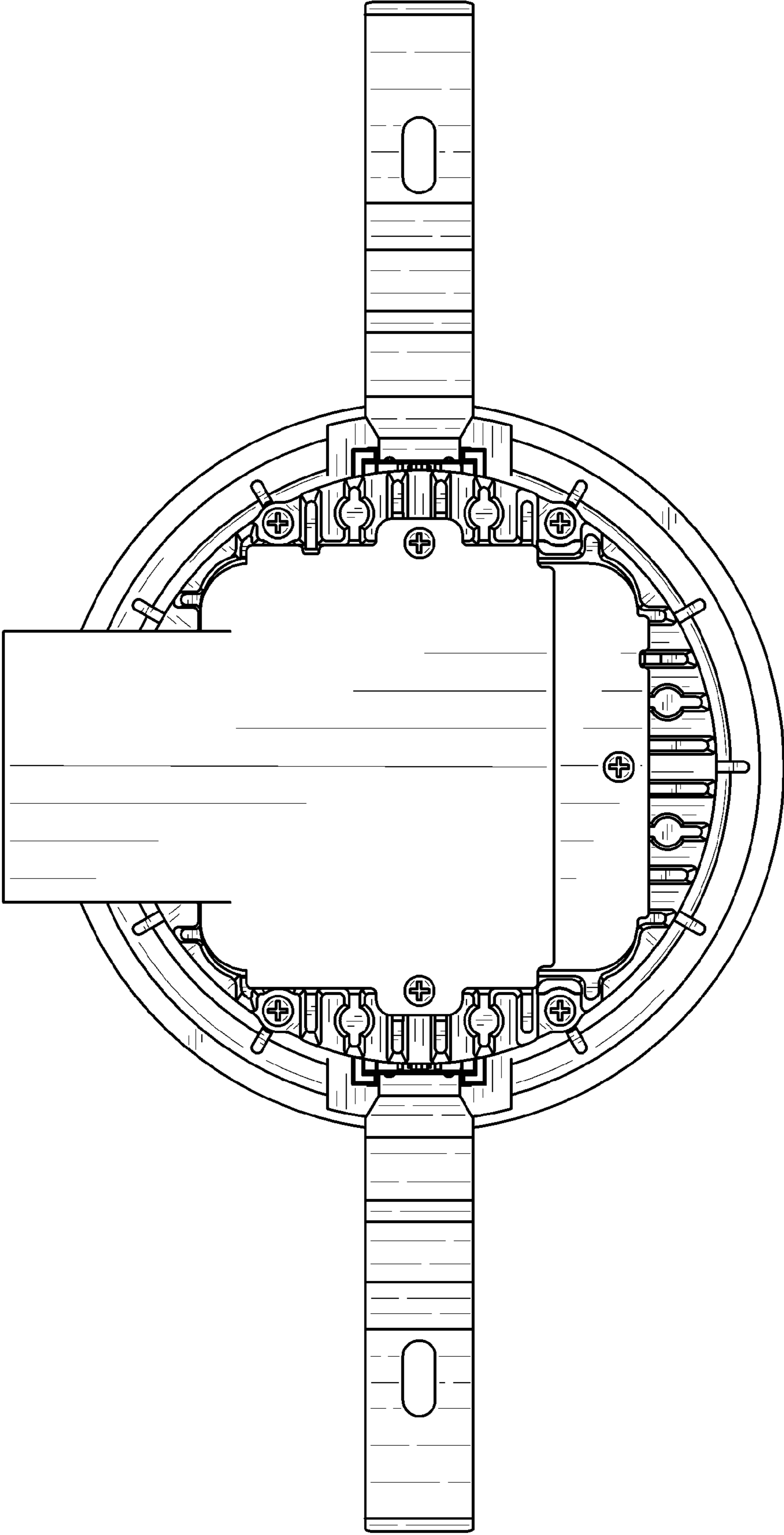


FIG. 6

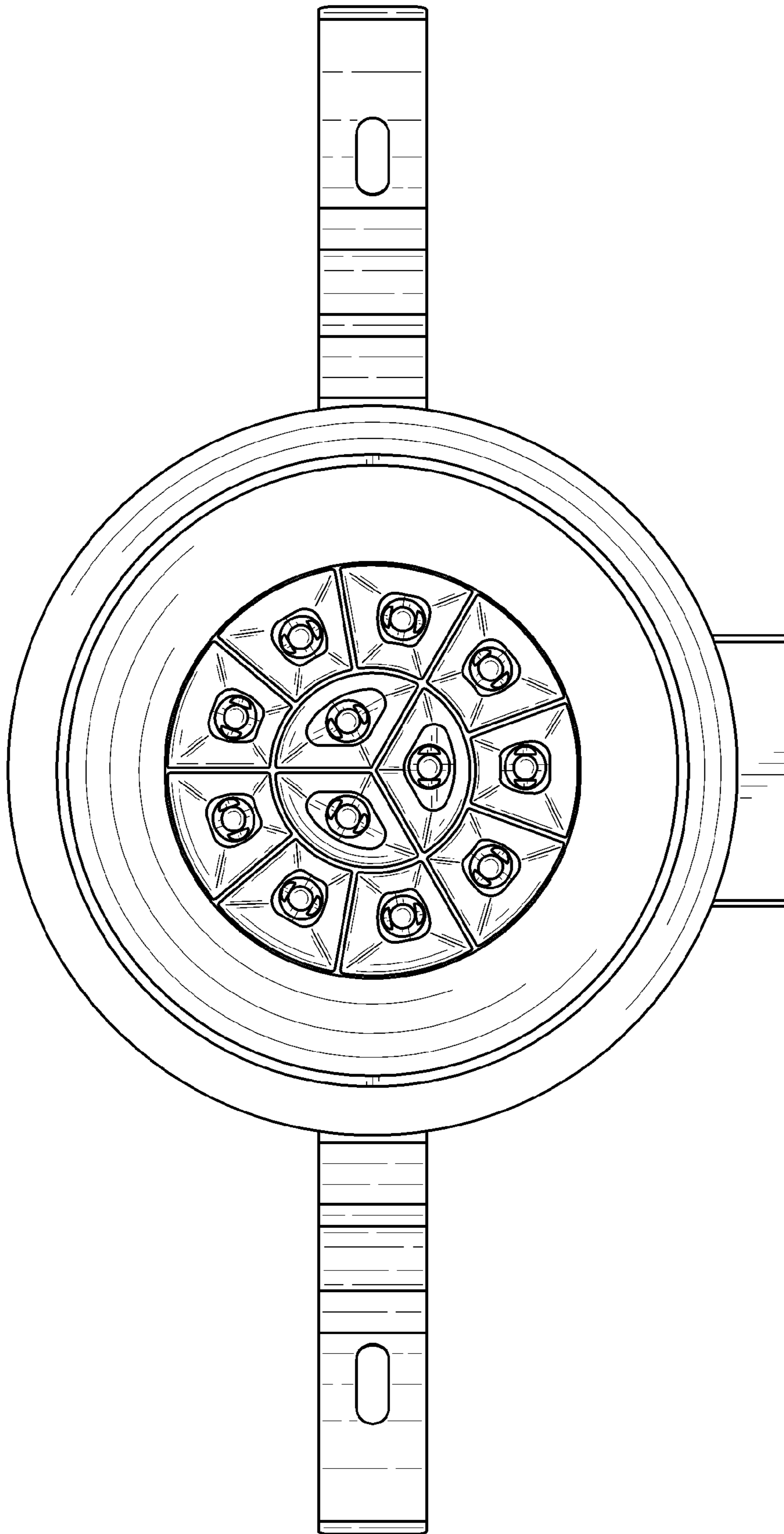


FIG. 7