



US00D610290S

(12) **United States Design Patent**  
**Yoshinobu et al.**

(10) **Patent No.:** **US D610,290 S**

(45) **Date of Patent:** **\*\* \*Feb. 16, 2010**

(54) **RECESSED LIGHTING FIXTURE**

(75) Inventors: **Masayuki Yoshinobu**, Tokyo (JP);  
**Kazunari Higuchi**, Tokyo (JP);  
**Takayoshi Moriyama**, Tokyo (JP);  
**Sumio Hashimoto**, Tokyo (JP)

(73) Assignees: **Toshiba Lighting & Technology Corporation**, Tokyo (JP); **Kabushiki Kaisha Toshiba**, Tokyo (JP)

(\*) Notice: This patent is subject to a terminal disclaimer.

(\*\*) Term: **14 Years**

(21) Appl. No.: **29/328,307**

(22) Filed: **Nov. 21, 2008**

(30) **Foreign Application Priority Data**

May 26, 2008 (JP) ..... 2008-013131

(51) **LOC (9) Cl.** ..... **26-05**

(52) **U.S. Cl.** ..... **D26/74**

(58) **Field of Classification Search** ..... D26/26,  
D26/37, 67, 72, 74-79, 80, 104, 108, 118,  
D26/120; 362/147-148, 150, 217-225, 132,  
362/260, 262-264, 267, 345, 440; D13/180  
See application file for complete search history.

(56) **References Cited**

**U.S. PATENT DOCUMENTS**

382,210 A \* 5/1888 Black ..... 431/301  
D300,877 S \* 4/1989 Cyr ..... D26/134  
D324,924 S \* 3/1992 Bengochea ..... D26/88  
D326,537 S \* 5/1992 Gattari ..... D26/74

5,743,628 A \* 4/1998 Greif et al. .... 362/228  
D404,122 S \* 1/1999 Hayashi et al. .... D23/370  
D469,900 S \* 2/2003 Galli ..... D26/37  
D485,006 S \* 1/2004 Huang ..... D26/118  
D544,117 S \* 6/2007 Coughaine ..... D26/37  
D570,013 S \* 5/2008 Huang ..... D26/28  
D573,294 S \* 7/2008 Chan et al. .... D26/74  
D574,541 S \* 8/2008 Matsumoto et al. .... D26/74  
D581,083 S \* 11/2008 Chan et al. .... D26/74

**FOREIGN PATENT DOCUMENTS**

JP D 1318676 1/2008

\* cited by examiner

*Primary Examiner*—Philip S Hyder

*Assistant Examiner*—Susan E Krakower

(74) *Attorney, Agent, or Firm*—J.C. Patents

(57) **CLAIM**

The ornamental design for a recessed lighting fixture, as shown and described.

**DESCRIPTION**

FIG. 1 is a perspective view of a recessed lighting fixture showing our new design;

FIG. 2 is a front view thereof;

FIG. 3 is a rear view thereof;

FIG. 4 is a left side view thereof;

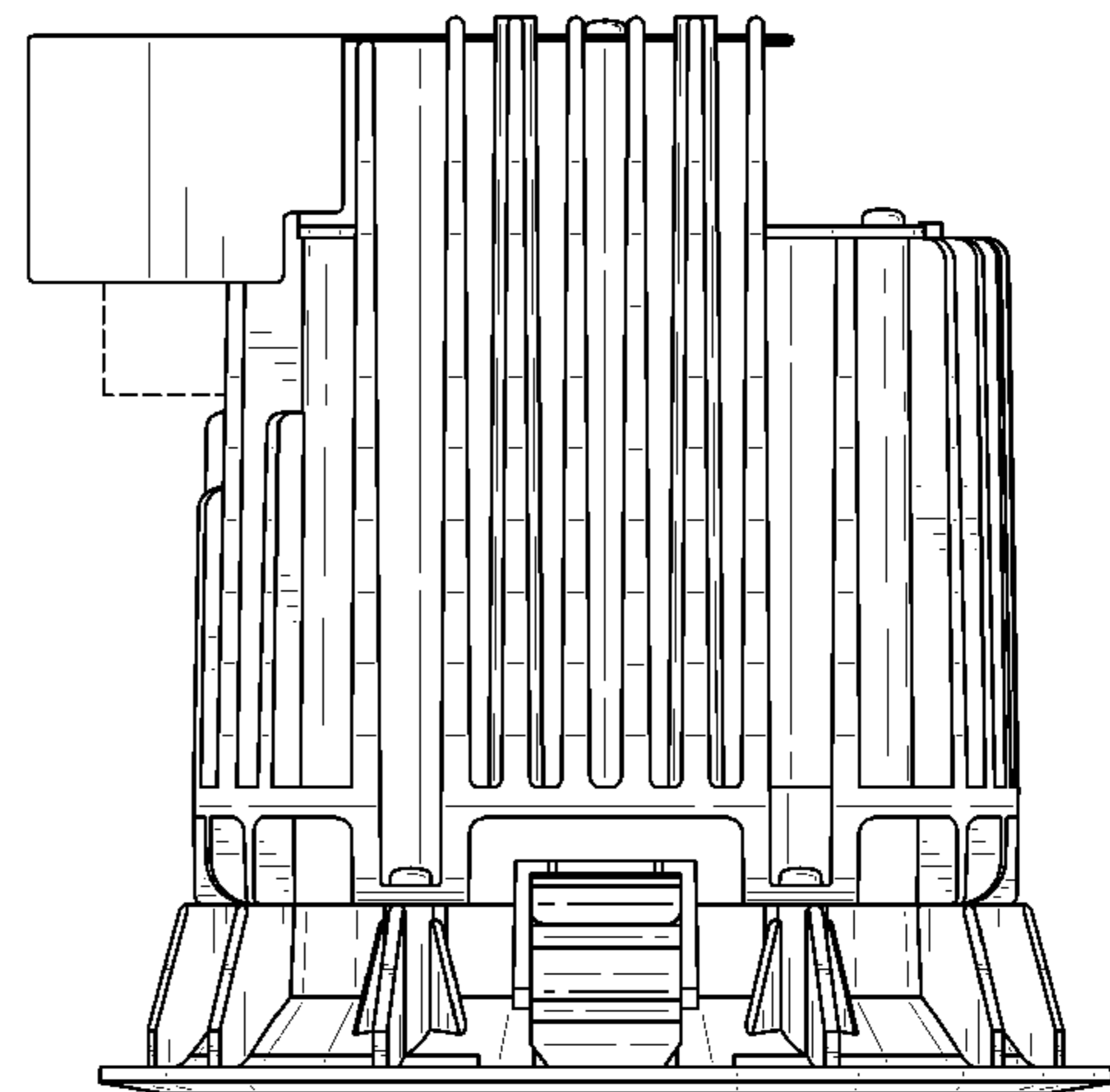
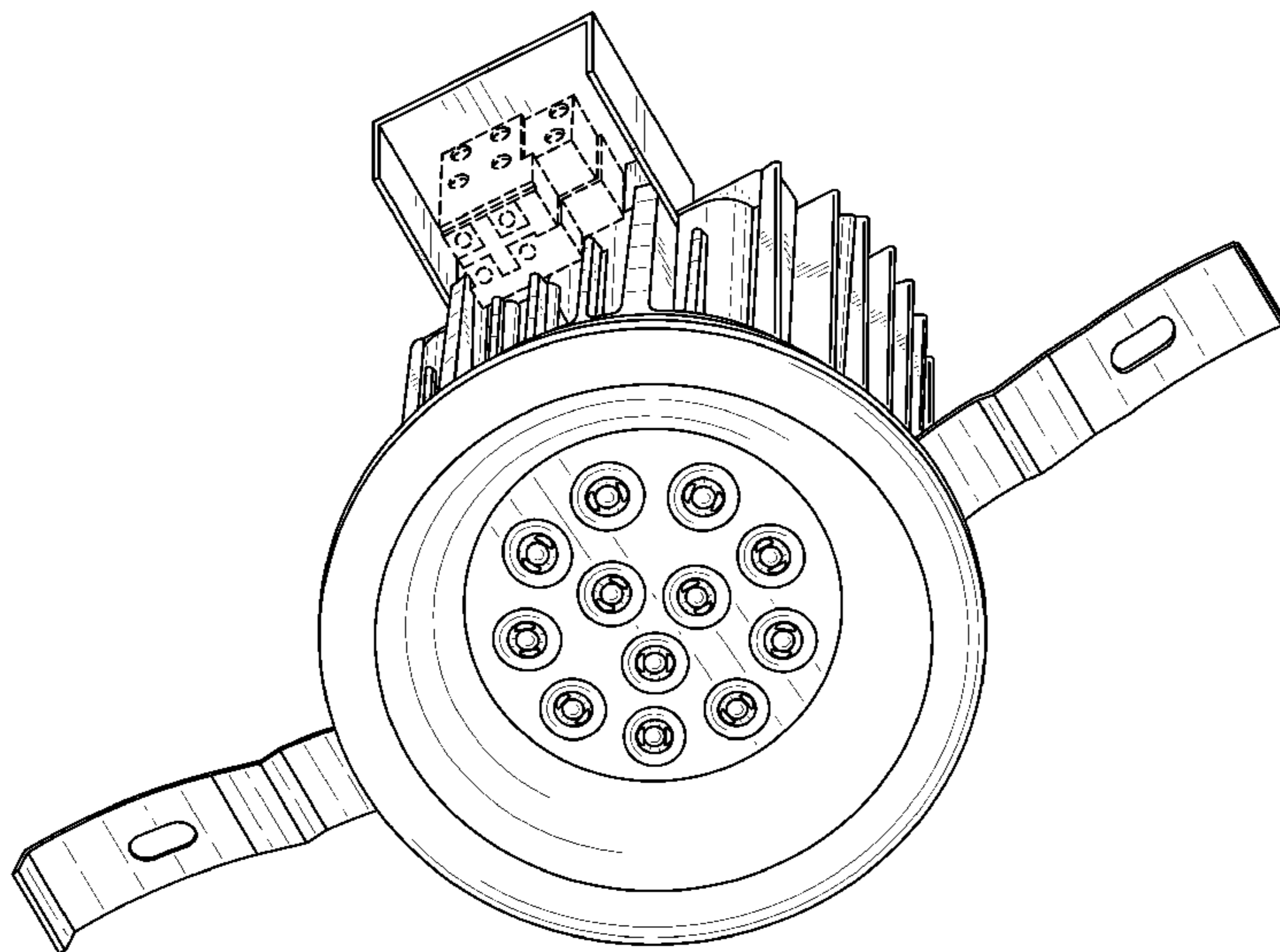
FIG. 5 is a right side view thereof;

FIG. 6 is a top view thereof; and,

FIG. 7 is a bottom view thereof.

The broken lines in the drawings depict unclaimed environmental subject matter.

**1 Claim, 7 Drawing Sheets**



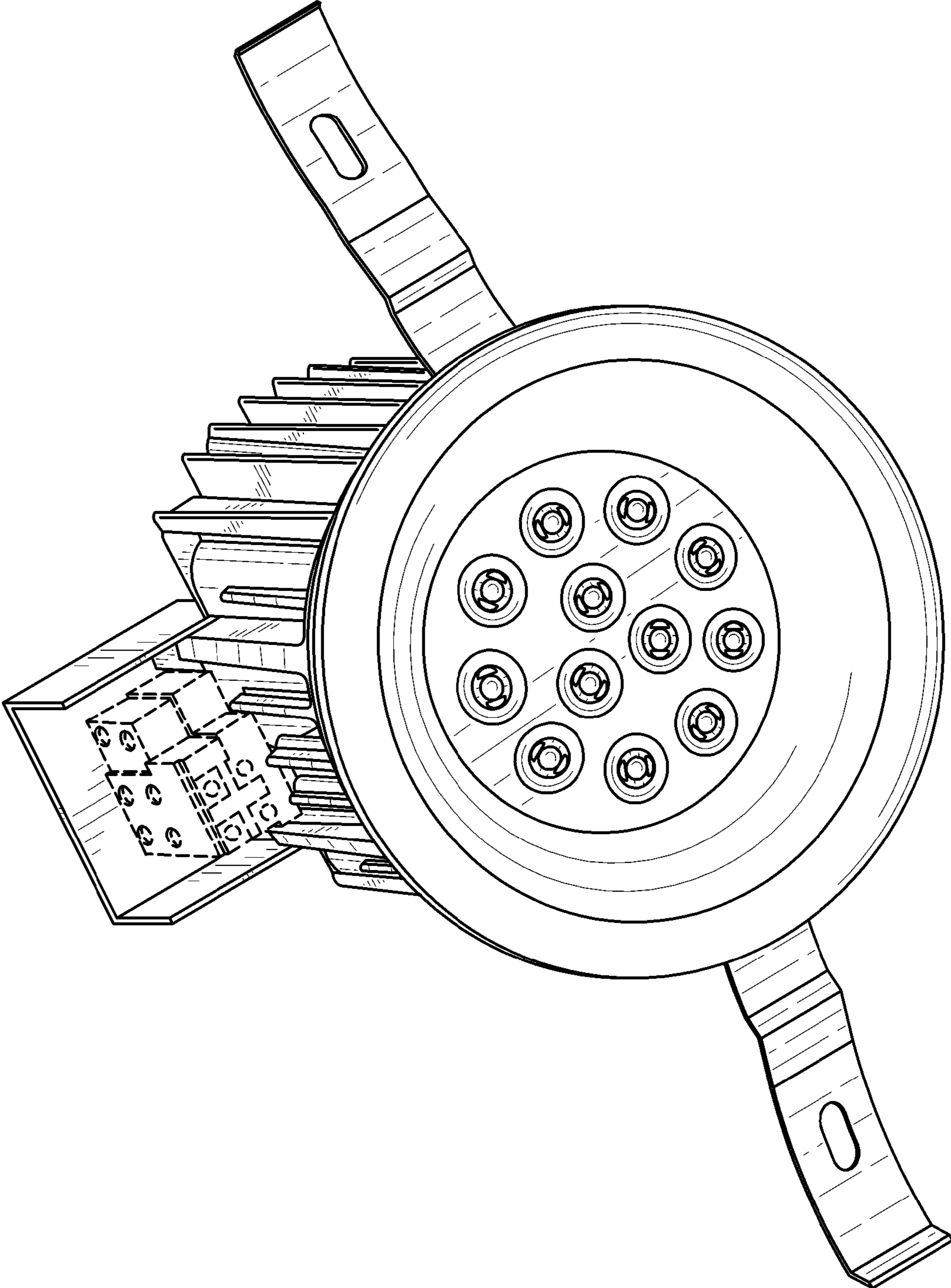


FIG. 1

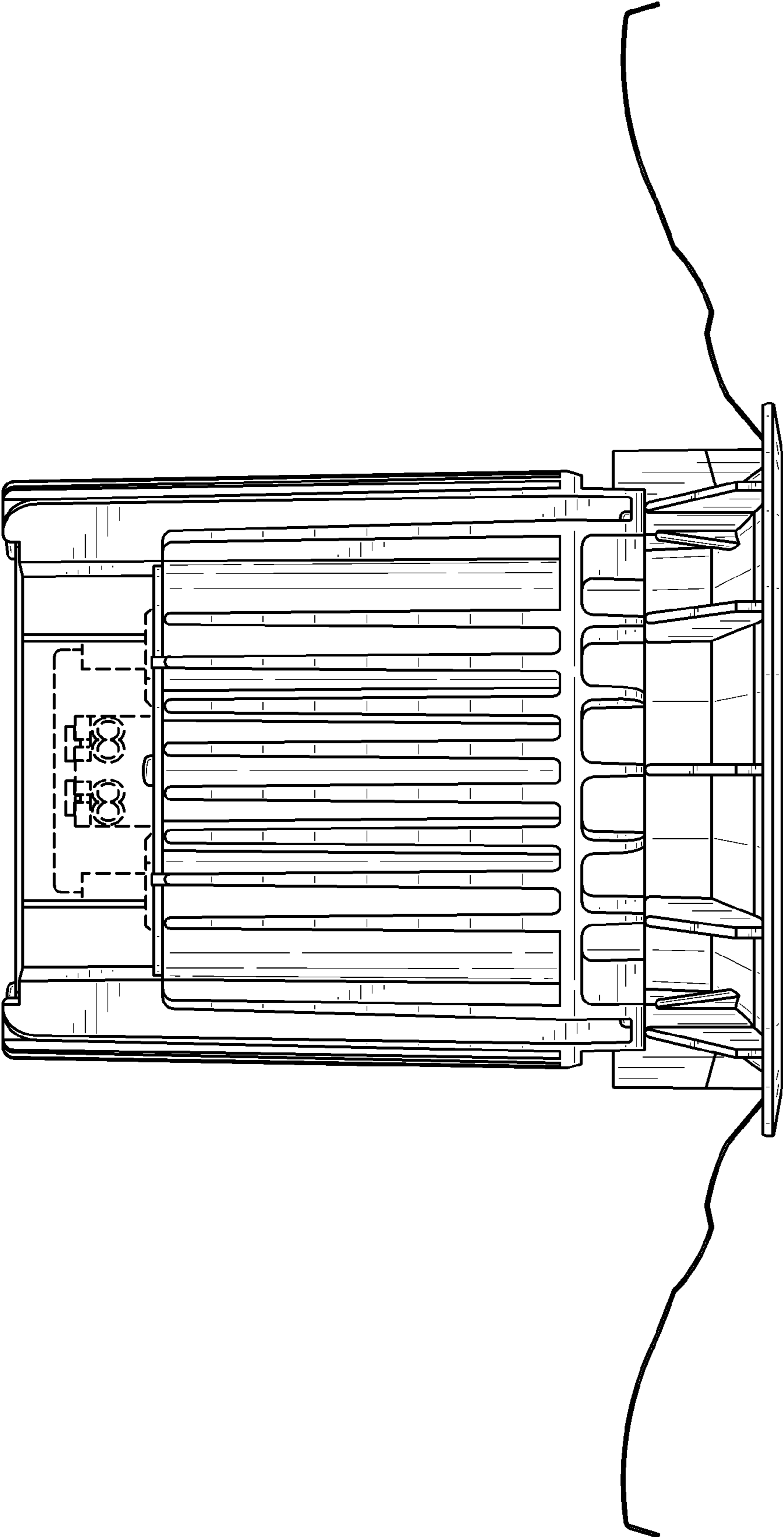


FIG. 2

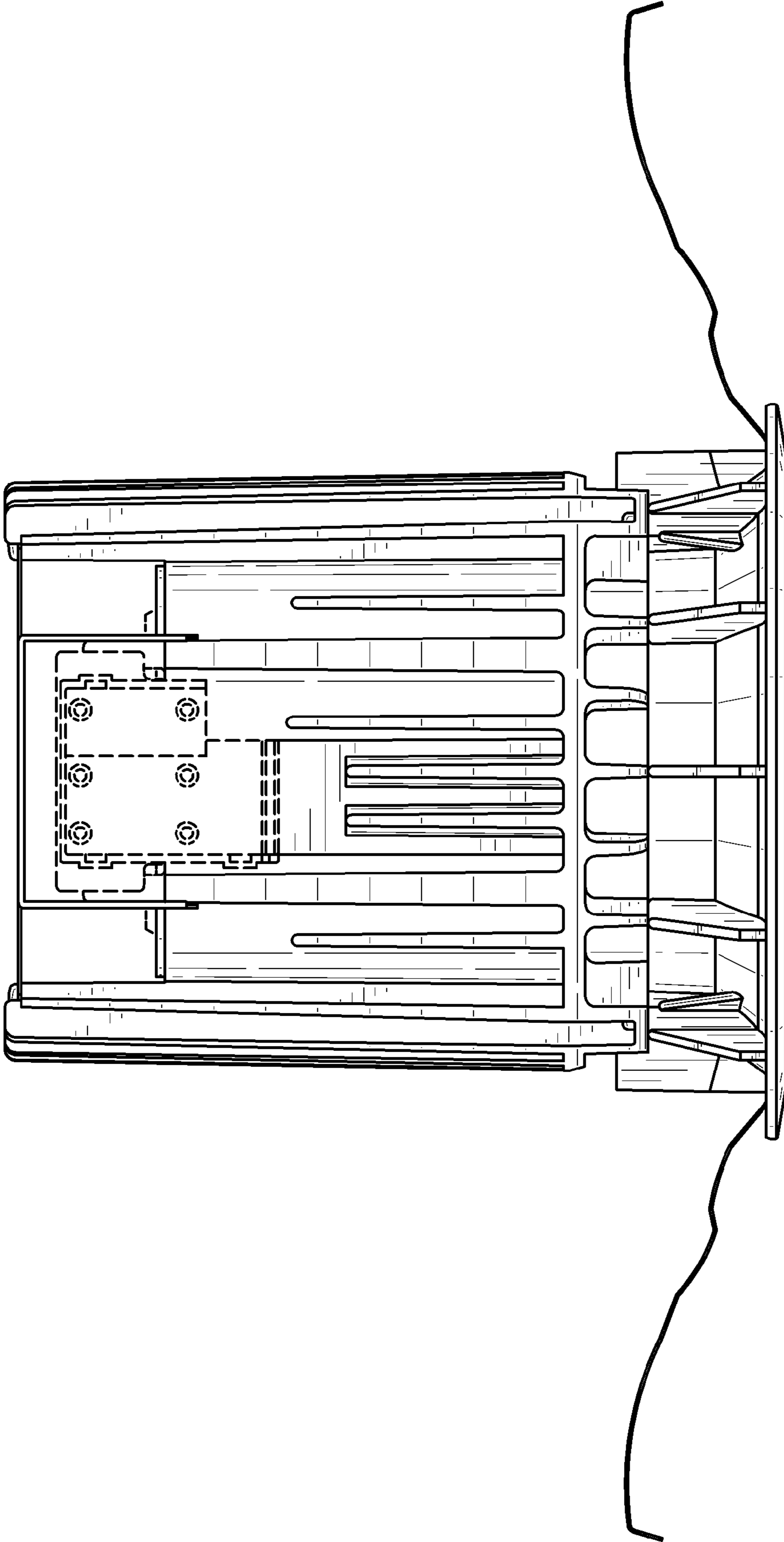


FIG. 3

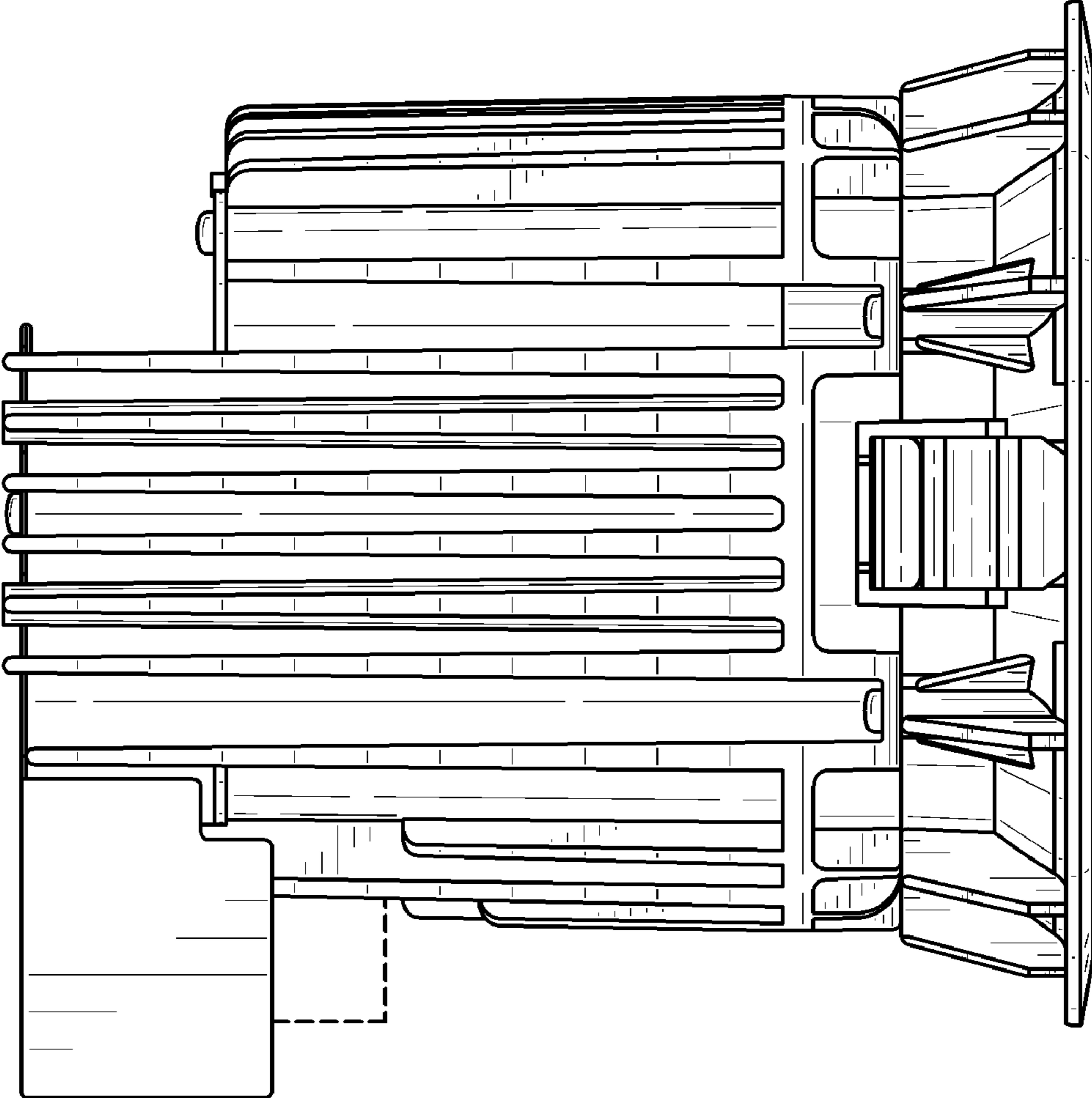


FIG. 4

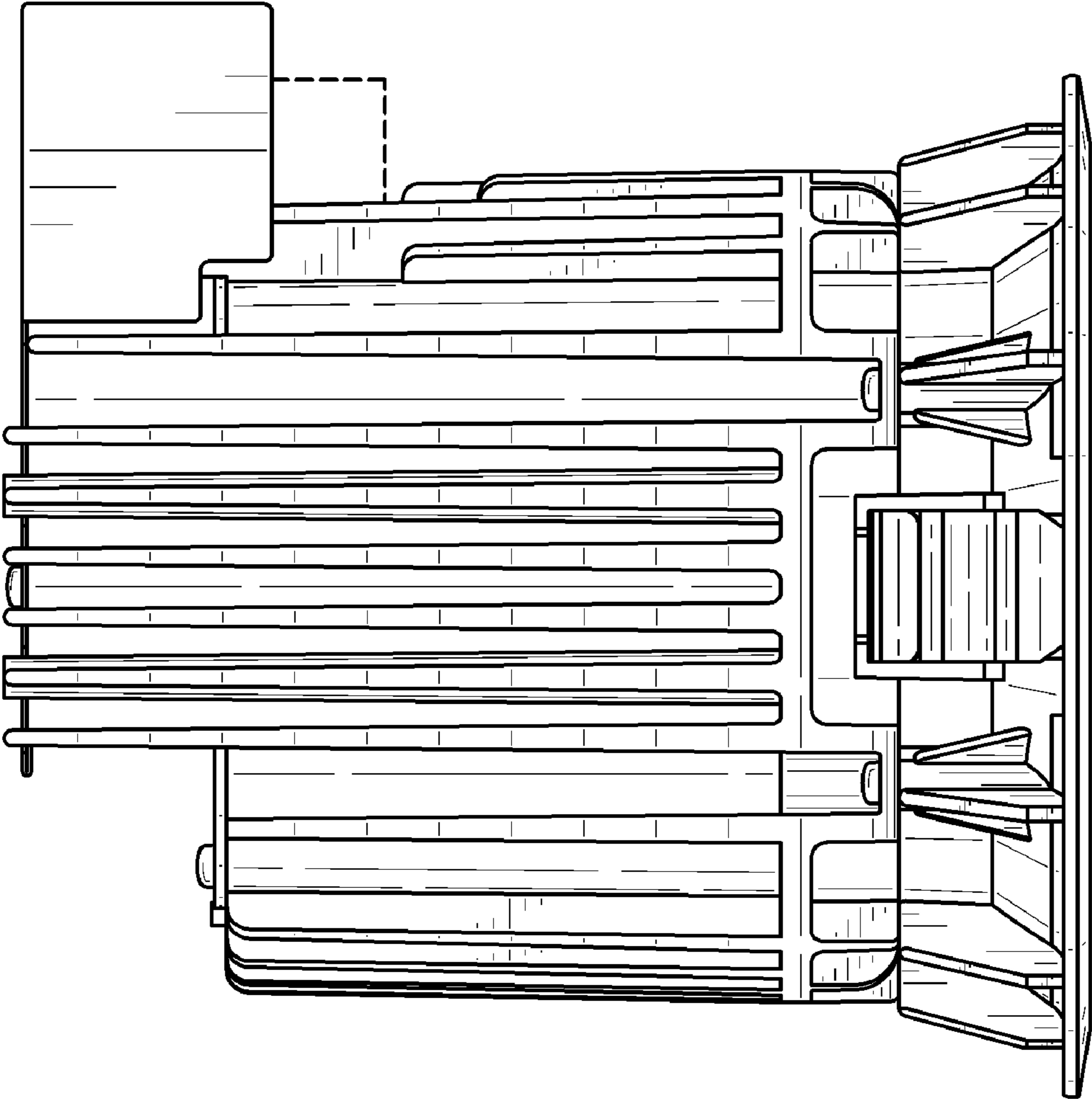


FIG. 5



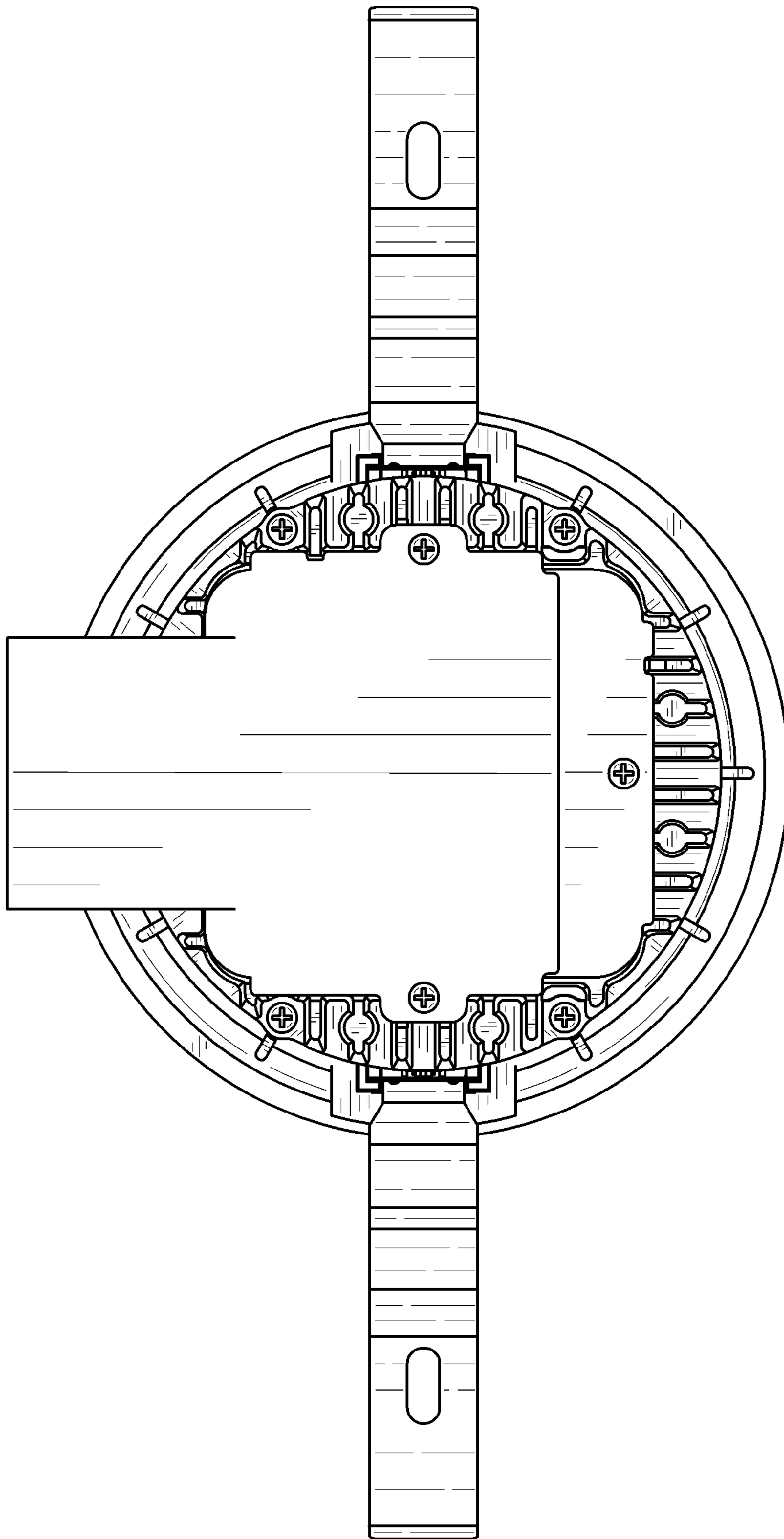


FIG. 6

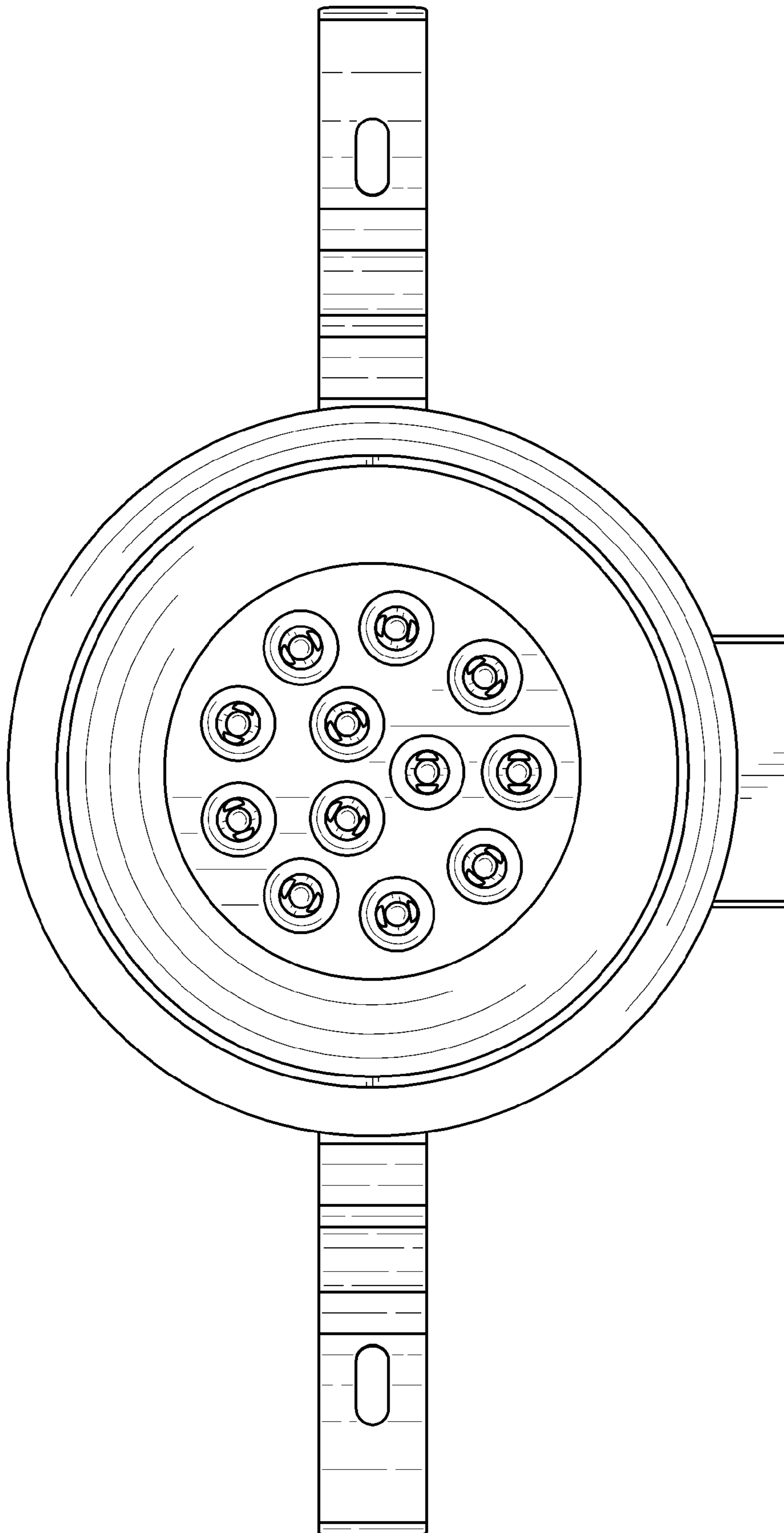


FIG. 7