



US00D610289S

(12) **United States Design Patent**
Yoshinobu et al.

(10) **Patent No.:** **US D610,289 S**

(45) **Date of Patent:** **** *Feb. 16, 2010**

(54) **RECESSED LIGHTING FIXTURE**

(75) Inventors: **Masayuki Yoshinobu**, Tokyo (JP);
Keiichi Shimizu, Tokyo (JP); **Sumio Hashimoto**, Tokyo (JP); **Masaru Inoue**, Tokyo (JP)

(73) Assignee: **Toshiba Lighting & Technology Corporation**, Tokyo (JP)

(*) Notice: This patent is subject to a terminal disclaimer.

(**) Term: **14 Years**

(21) Appl. No.: **29/304,250**

(22) Filed: **Feb. 27, 2008**

(30) **Foreign Application Priority Data**

Aug. 29, 2007 (JP) 2007-023462

(51) **LOC (9) Cl.** **26-05**

(52) **U.S. Cl.** **D26/74**

(58) **Field of Classification Search** D26/26,
D26/37, 67, 72, 74–79, 80, 104, 108, 118,
D26/120; 362/147–148, 150, 217–225, 132,
362/260, 262–264, 267, 345, 440; D13/180
See application file for complete search history.

(56) **References Cited**

U.S. PATENT DOCUMENTS

382,210	A	*	5/1888	Black	431/301
1,730,836	A	*	10/1929	Wyman	362/368
D114,108	S	*	4/1939	Manning	D26/112
D257,065	S	*	9/1980	Silvestris	D26/61
D300,877	S	*	4/1989	Cyr	D26/134
D324,924	S	*	3/1992	Bengochea	D26/88
D326,537	S	*	5/1992	Gattari	D26/74
D350,213	S	*	8/1994	Druffel et al.	D26/74
5,743,628	A	*	4/1998	Greif et al.	362/228
D404,122	S	*	1/1999	Hayashi et al.	D23/370
D439,696	S	*	3/2001	Johnson	D26/118
D469,900	S	*	2/2003	Galli	D26/37

D485,006	S	*	1/2004	Huang	D26/118
D487,816	S	*	3/2004	Benghozi	D26/118
D487,817	S	*	3/2004	Benghozi	D26/118
D544,117	S	*	6/2007	Coushaine	D26/37
D570,013	S	*	5/2008	Huang	D26/28
D573,294	S	*	7/2008	Chan et al.	D26/74
D574,541	S	*	8/2008	Matsumoto et al.	D26/74
D575,442	S	*	8/2008	Pelzl	D26/124
D581,083	S	*	11/2008	Chan et al.	D26/74

FOREIGN PATENT DOCUMENTS

JP	1293407	1/2007
JP	1293408	1/2007

* cited by examiner

Primary Examiner—Philip S Hyder

Assistant Examiner—Susan E Krakower

(74) *Attorney, Agent, or Firm*—J.C. Patents

(57) **CLAIM**

The ornamental design for a recessed lighting fixture, as shown and described

DESCRIPTION

FIG. 1 is a perspective view of a recessed lighting fixture showing the new design;

FIG. 2 is a front view thereof;

FIG. 3 is a rear view thereof;

FIG. 4 is a left side view thereof;

FIG. 5 is a right side view thereof;

FIG. 6 is a top view thereof;

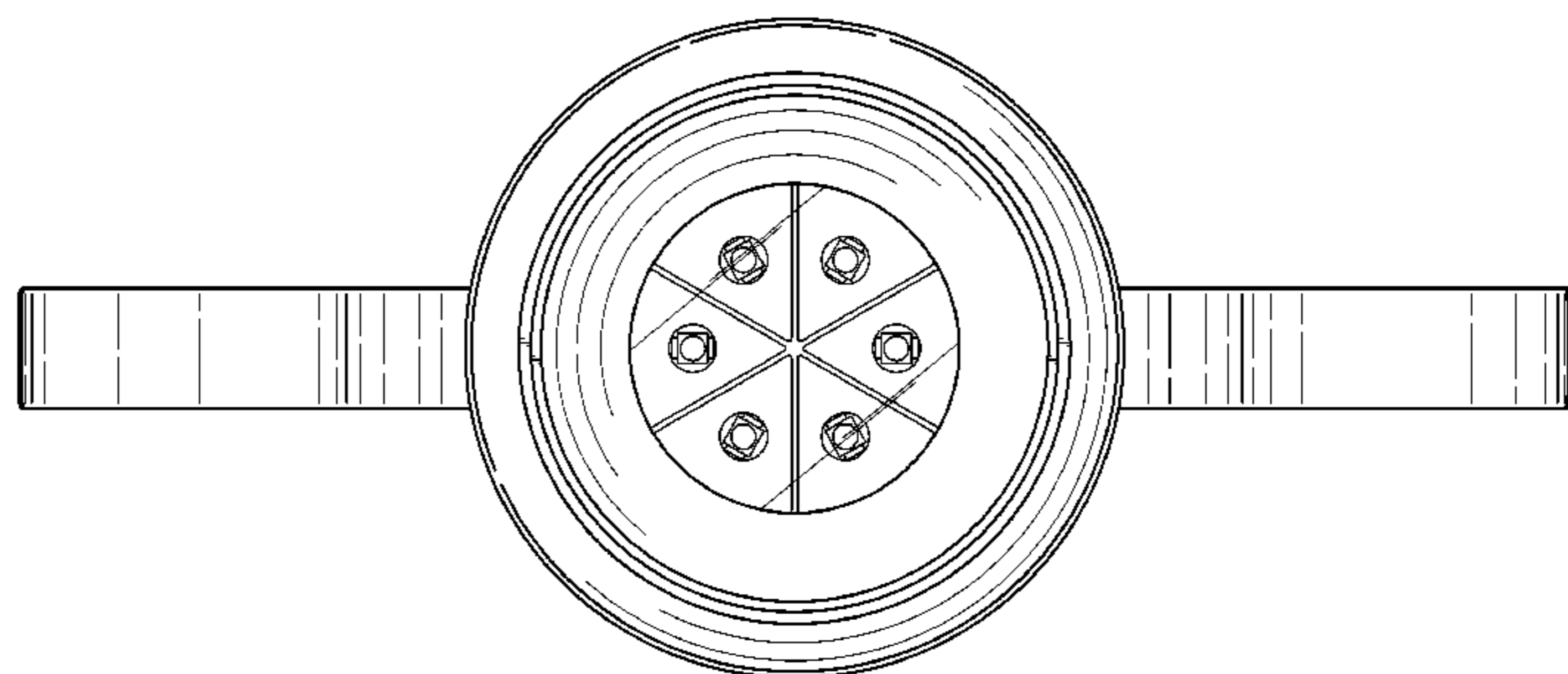
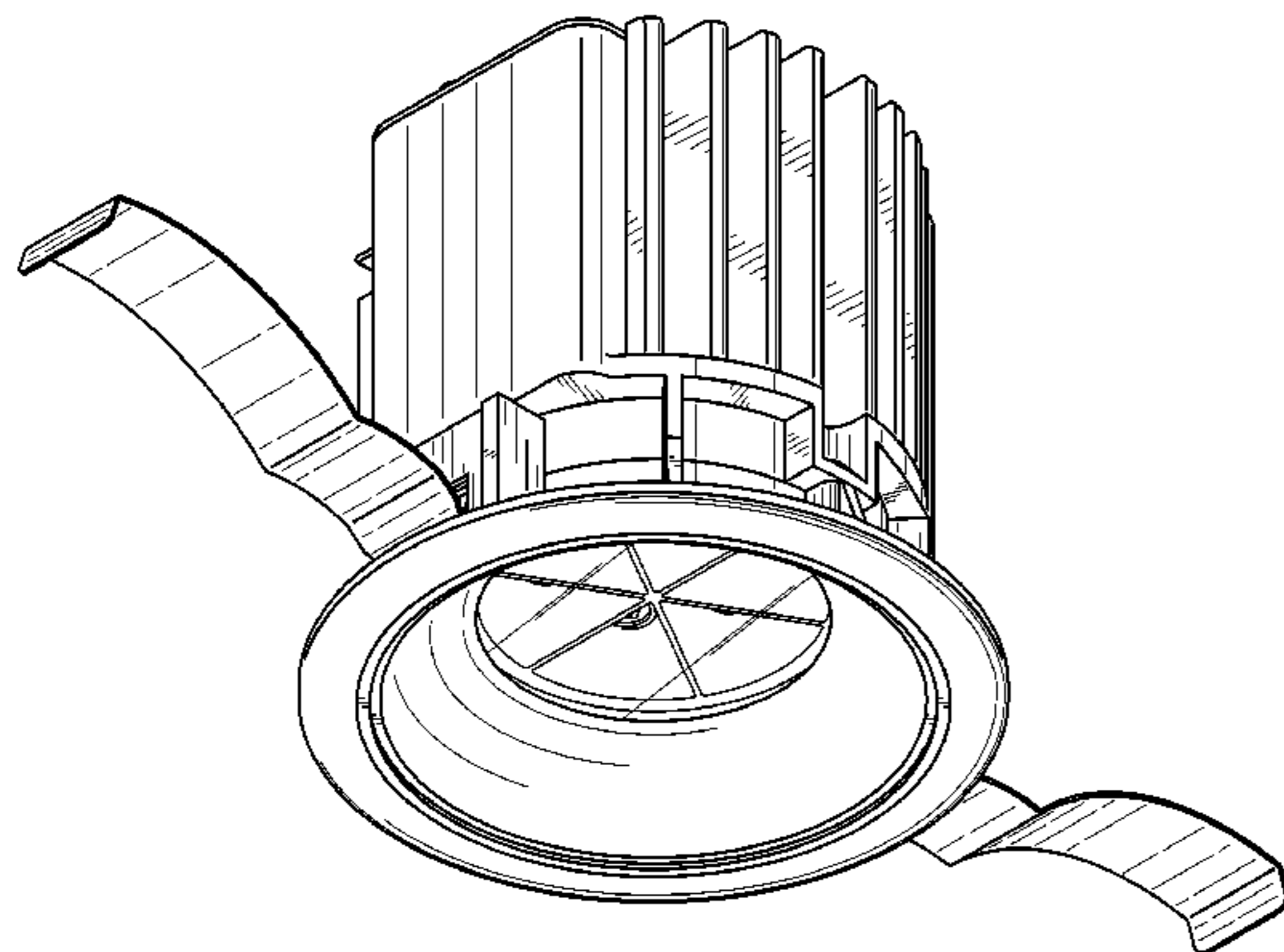
FIG. 7 is a bottom view thereof;

FIG. 8 is a front view shown in use embedded in a ceiling; and,

FIG. 9 is a cross-sectional view taken along line 9—9 in FIG. 5 with the internal parts omitted.

The broken lines in the drawings depict unclaimed environmental subject matter.

1 Claim, 9 Drawing Sheets



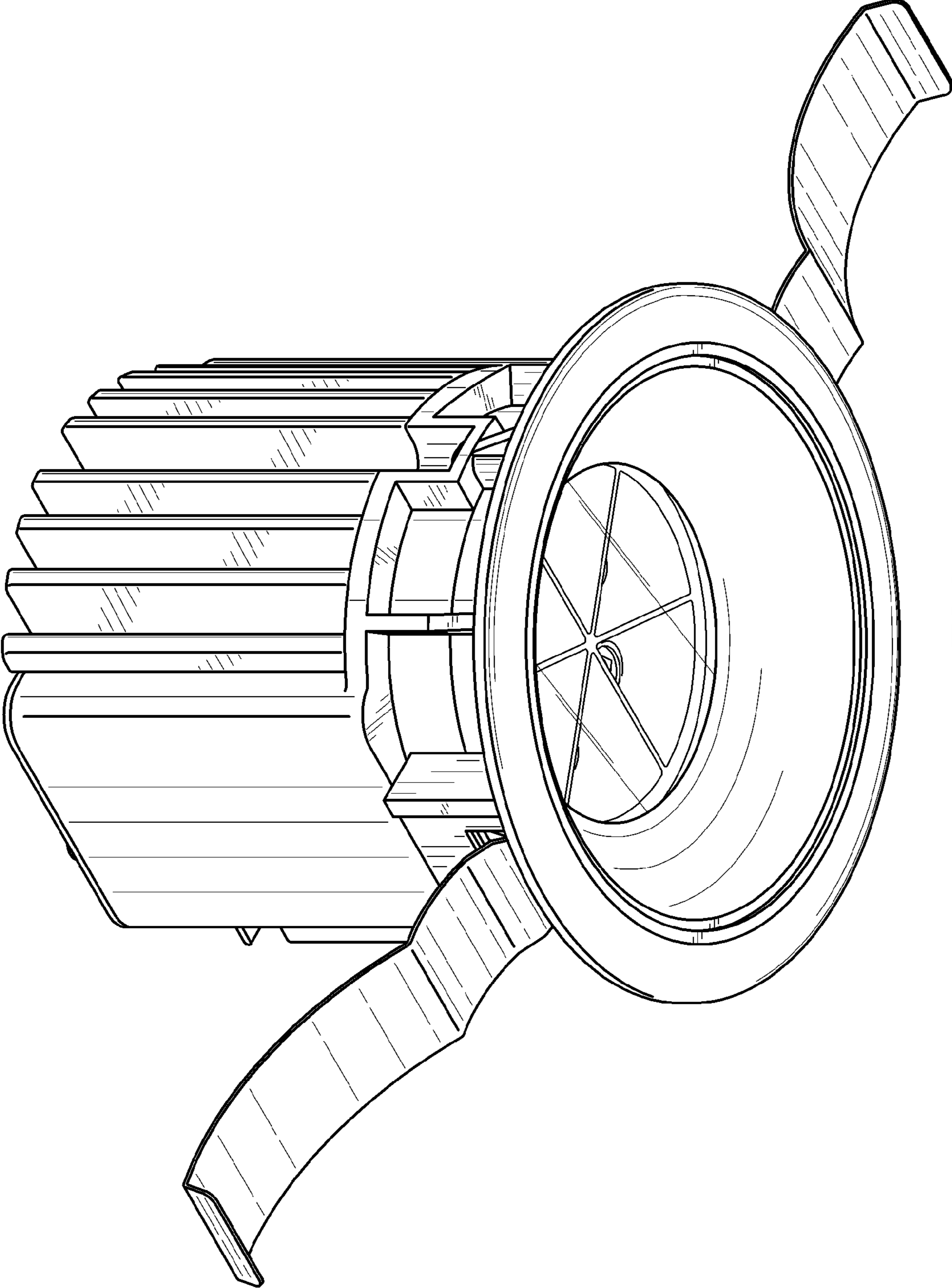


FIG. 1

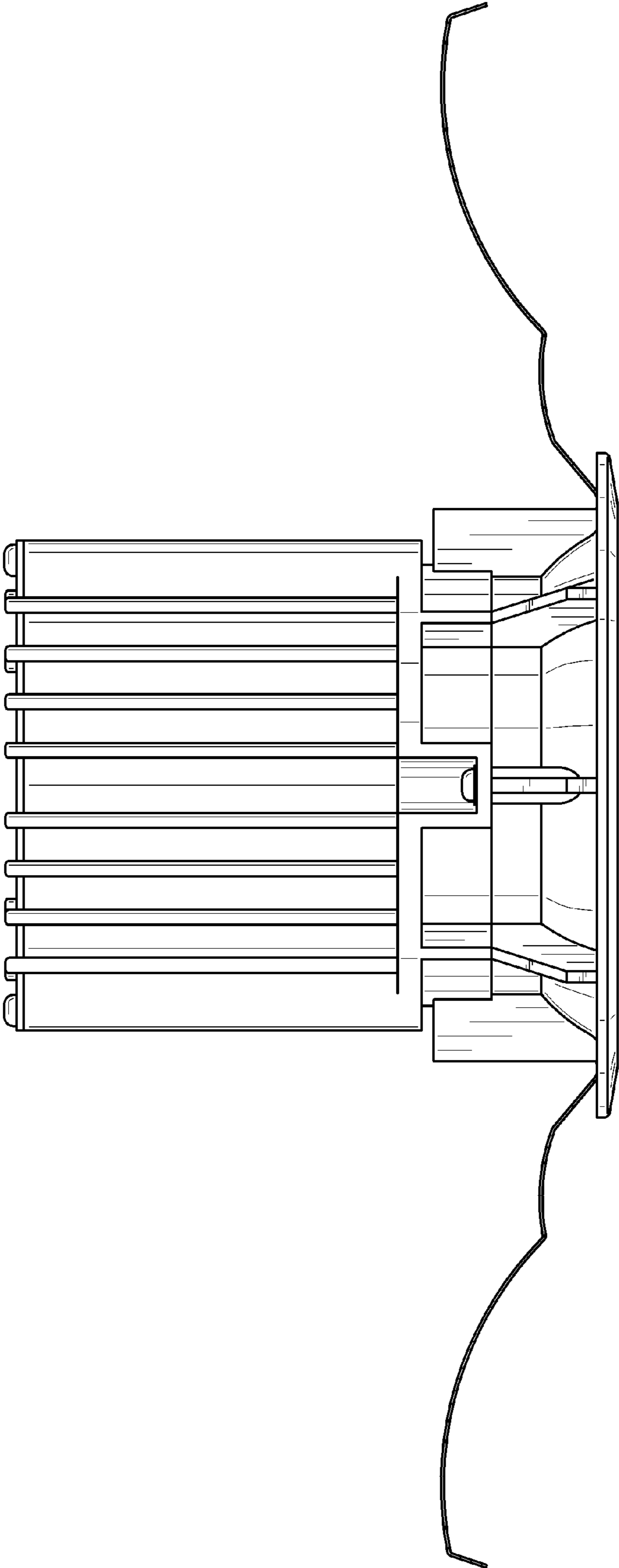


FIG. 2

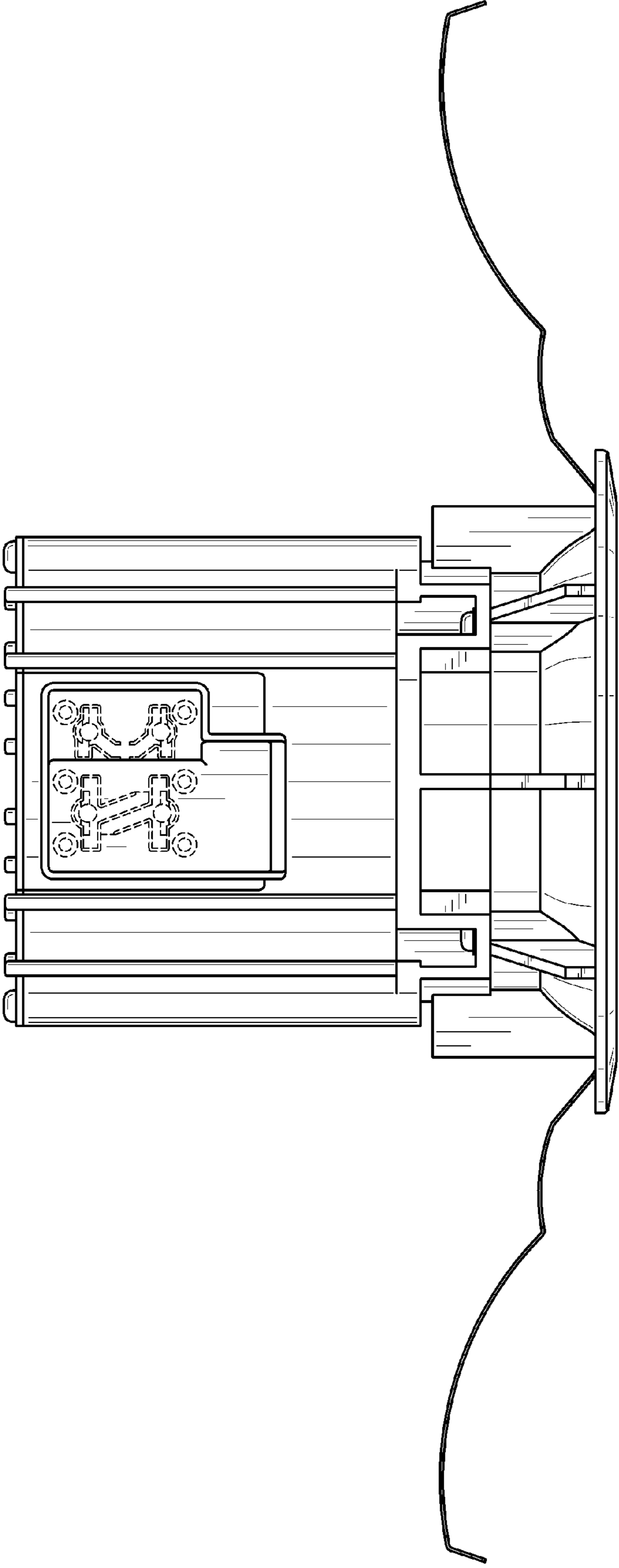


FIG. 3

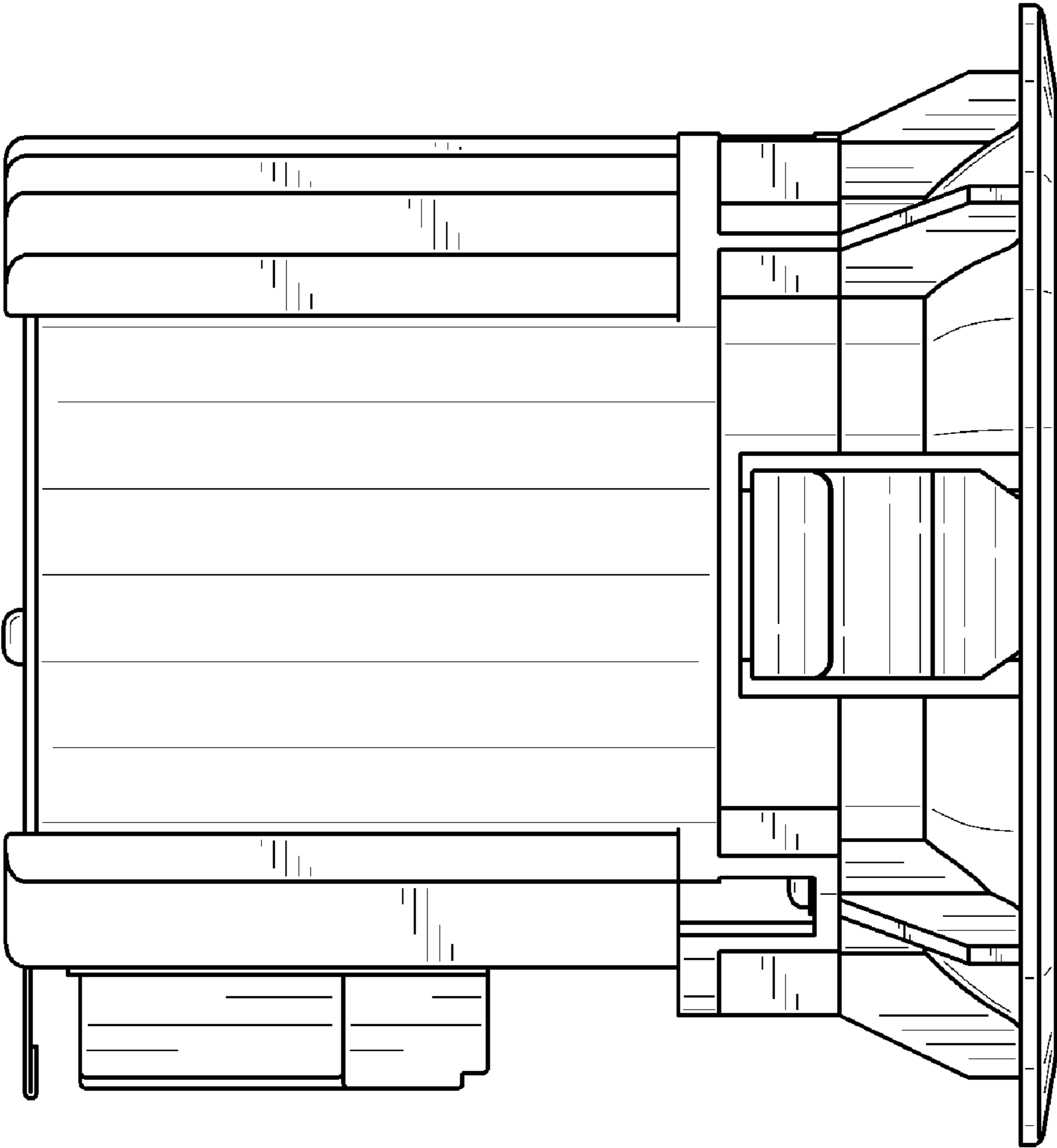


FIG. 4

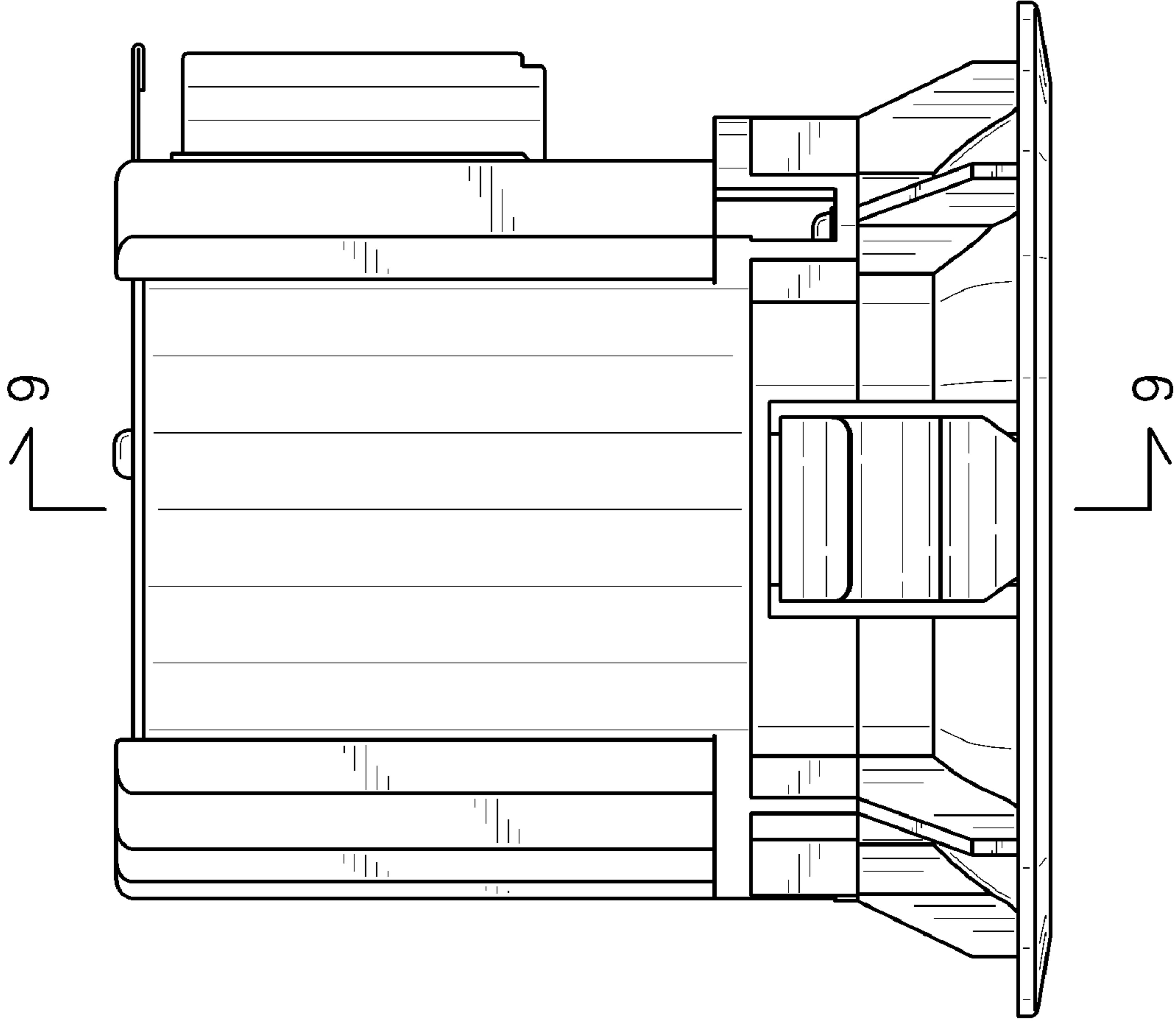


FIG. 5

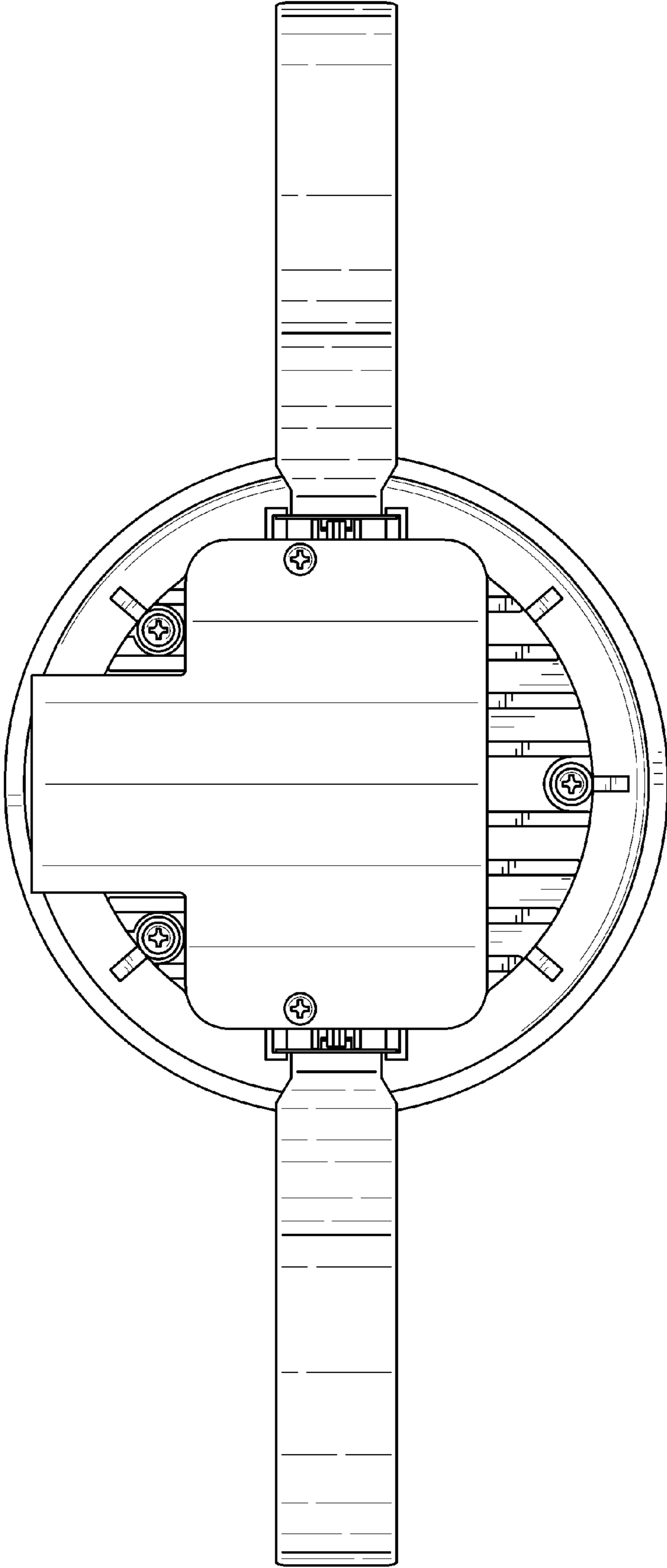


FIG. 6

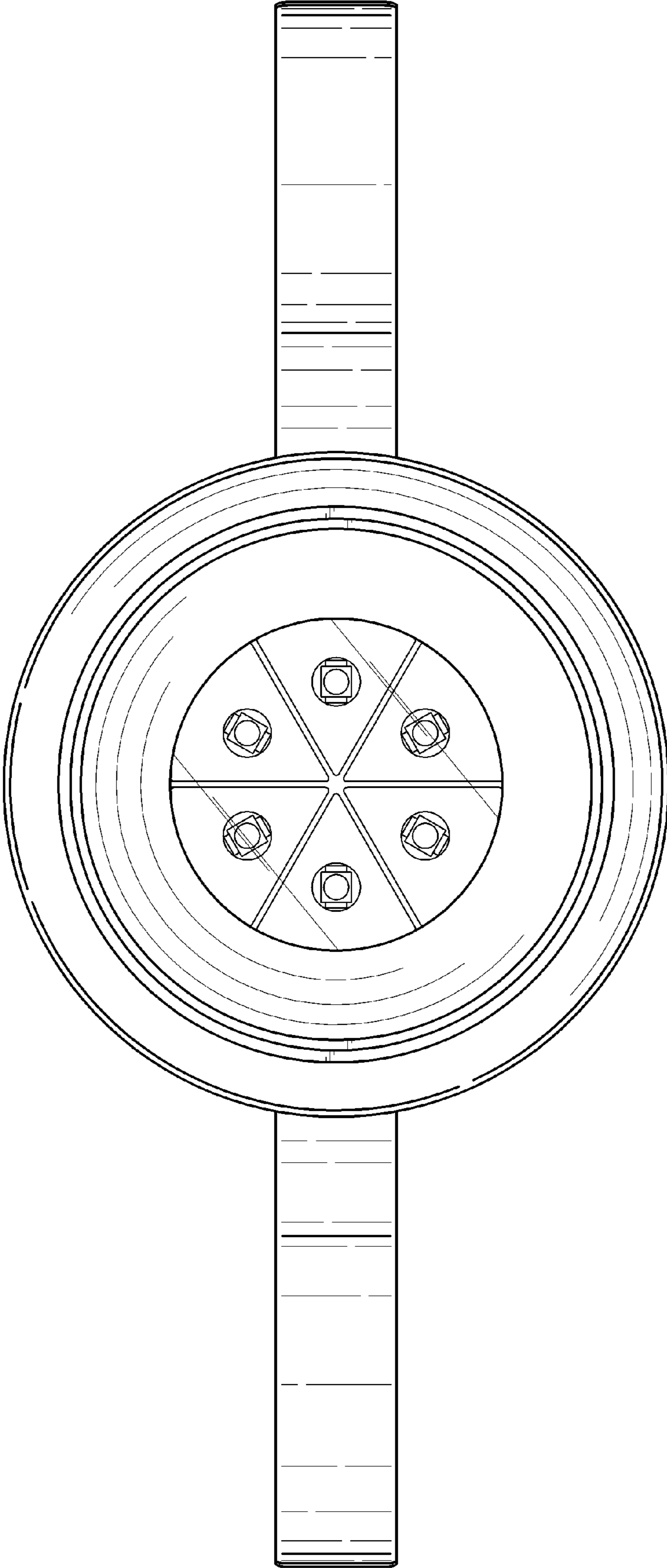


FIG. 7

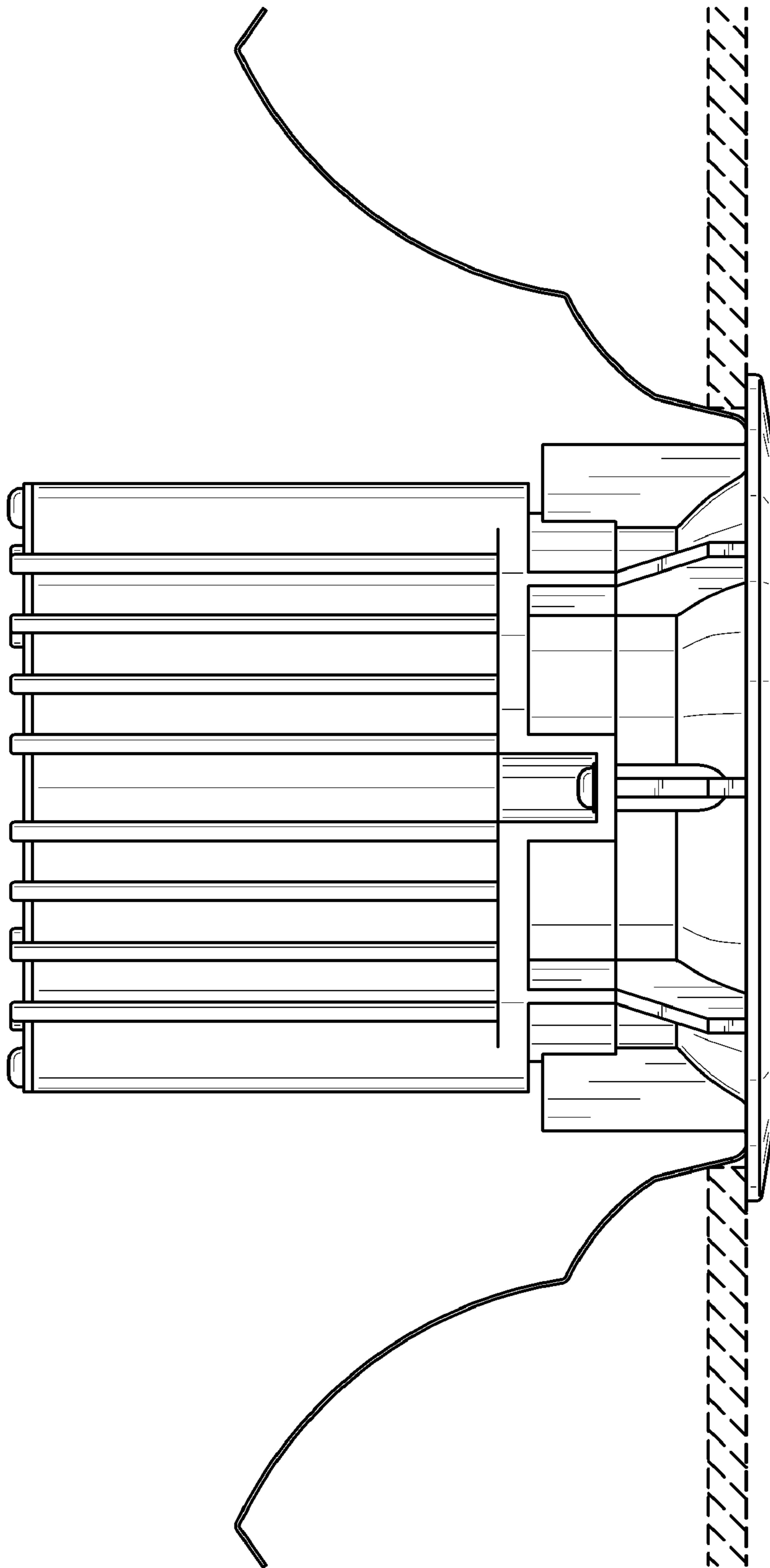


FIG. 8

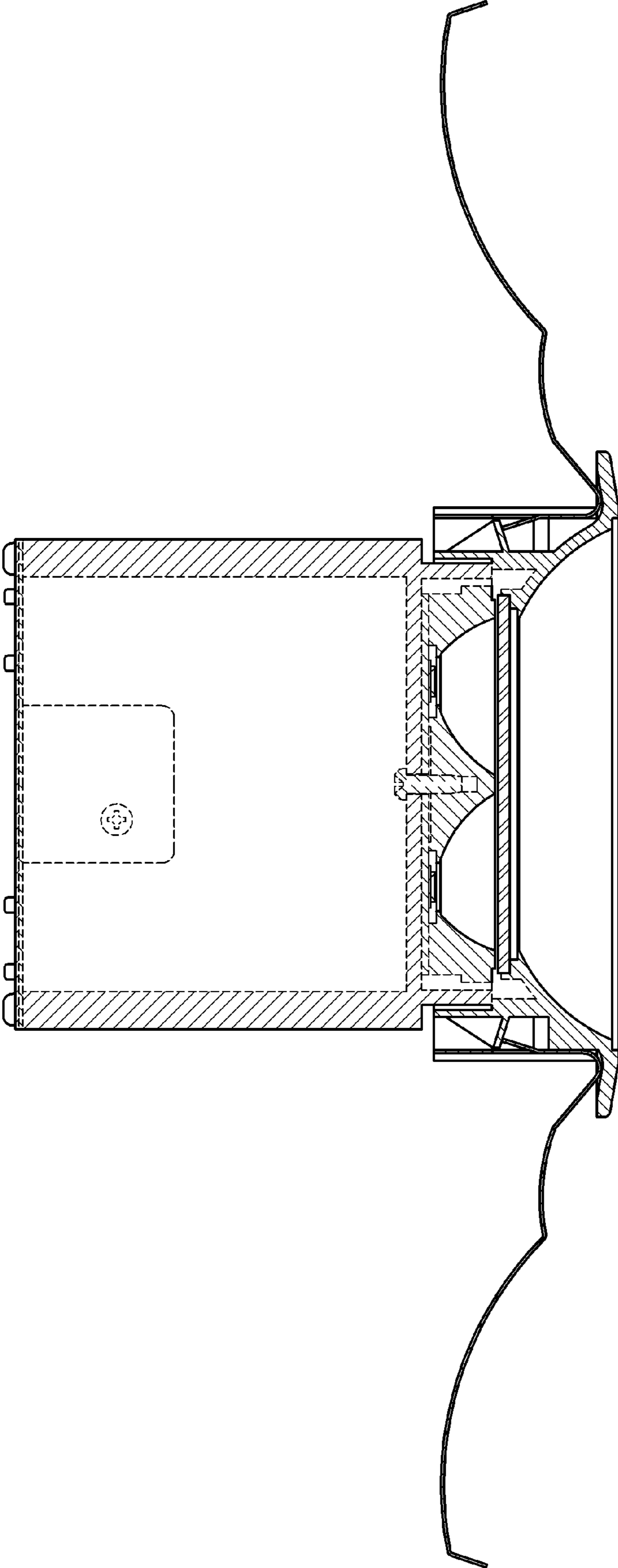


FIG. 9