



US00D610287S

(12) **United States Design Patent**
Gill

(10) **Patent No.:** **US D610,287 S**

(45) **Date of Patent:** **** Feb. 16, 2010**

(54) **HEAD PART OF A STREETLIGHT**

7,455,430 B2 * 11/2008 Huang 362/294
D598,156 S * 8/2009 Xiao et al. D26/69

(75) Inventor: **Jason Jae Gill**, Omaha, NE (US)

* cited by examiner

(73) Assignee: **Well-Light Inc.**, Seoul (KR)

Primary Examiner—Clare E Heflin

(**) Term: **14 Years**

(74) *Attorney, Agent, or Firm*—Merchant & Gould P.C.

(21) Appl. No.: **29/326,301**

(57) **CLAIM**

(22) Filed: **Oct. 15, 2008**

The ornamental design for a head part of a streetlight, as shown and described.

(30) **Foreign Application Priority Data**

DESCRIPTION

Aug. 18, 2008 (KR) 30-2008-0035582

(51) **LOC (9) Cl.** **26-05**

(52) **U.S. Cl.** **D26/71; D26/92**

(58) **Field of Classification Search** D26/67-72,
D26/85, 92; 362/145, 152, 183, 294, 373,
362/414, 431, 545

See application file for complete search history.

FIG. 1 is a bottom plan view of the head part of a streetlight showing my new design;

FIG. 2 is a front elevation view thereof;

FIG. 3 is a left side elevation view thereof;

FIG. 4 is a top perspective view thereof;

FIG. 5 is a rear elevation view thereof;

FIG. 6 is a bottom perspective view thereof where unclaimed lighting elements are shown in broken lines as environment only;

FIG. 7 is a another top perspective view thereof where an unclaimed support pole is shown in broken lines as environment only;

FIG. 8 is a right side elevation view thereof; and,

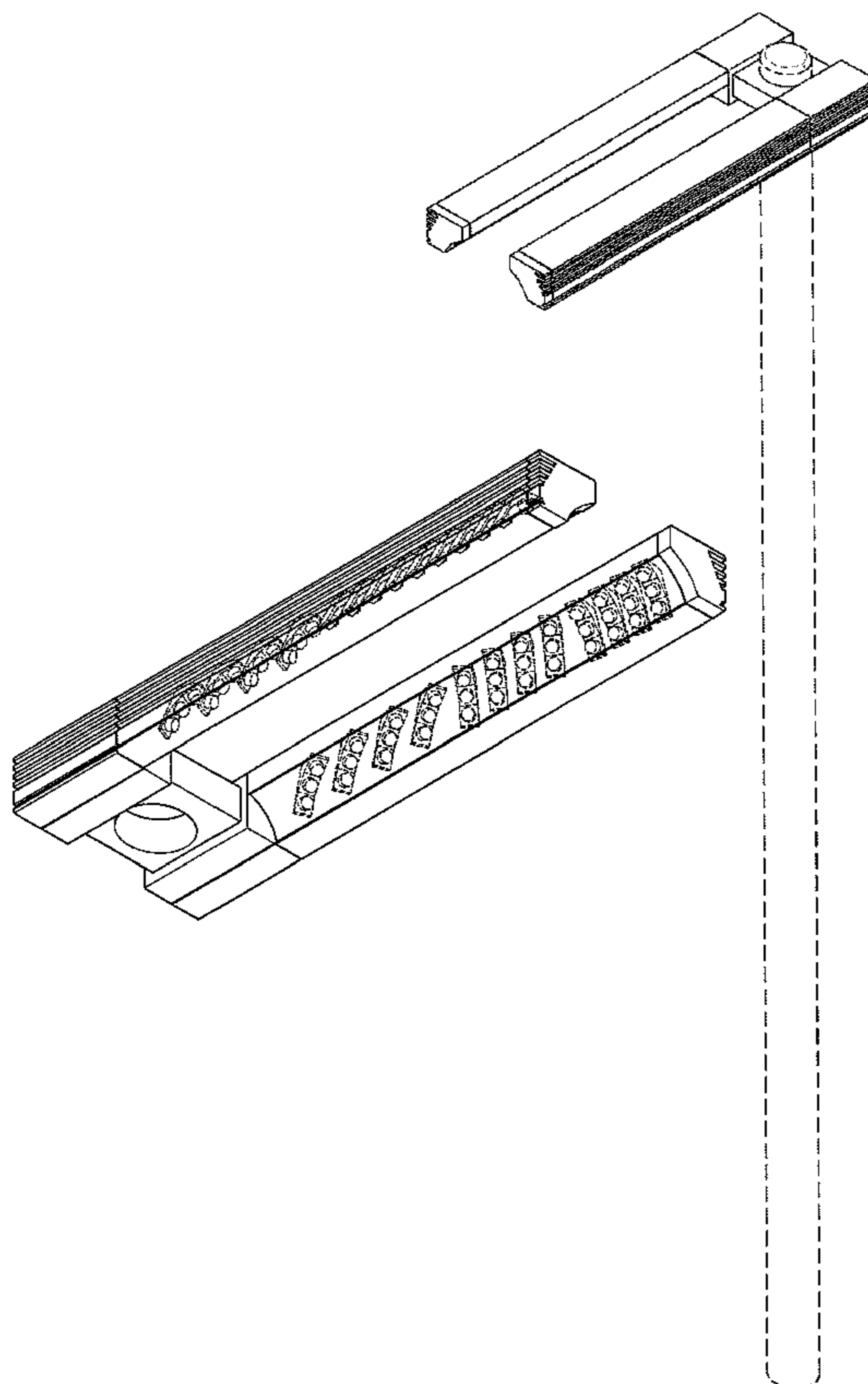
FIG. 9 is a top plan view thereof.

(56) **References Cited**

U.S. PATENT DOCUMENTS

- D279,410 S * 6/1985 Fiorentino et al. D26/69
- D313,482 S * 1/1991 Compton D26/69
- D555,281 S * 11/2007 Quintana-Creus et al. D26/71
- D564,691 S * 3/2008 Ertze Encinas et al. D26/69
- D577,455 S * 9/2008 Zheng et al. D26/71
- D578,696 S * 10/2008 Wang et al. D26/70
- D578,697 S * 10/2008 Zheng et al. D26/71

1 Claim, 9 Drawing Sheets



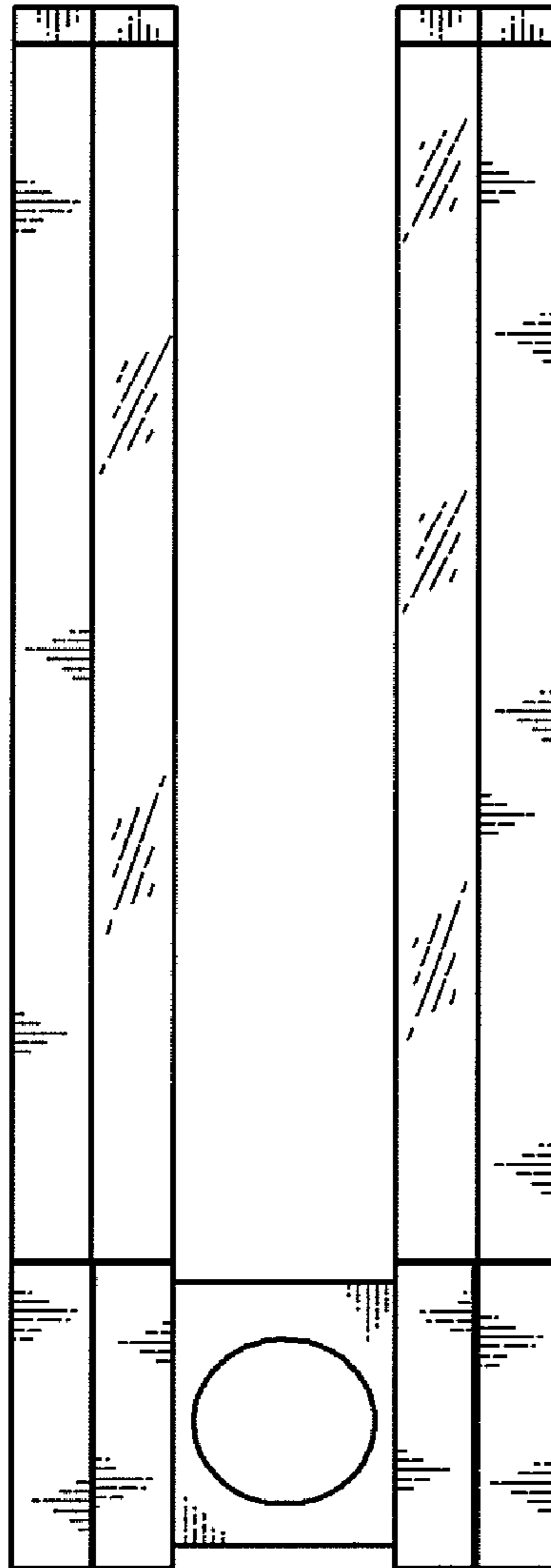


FIG 1

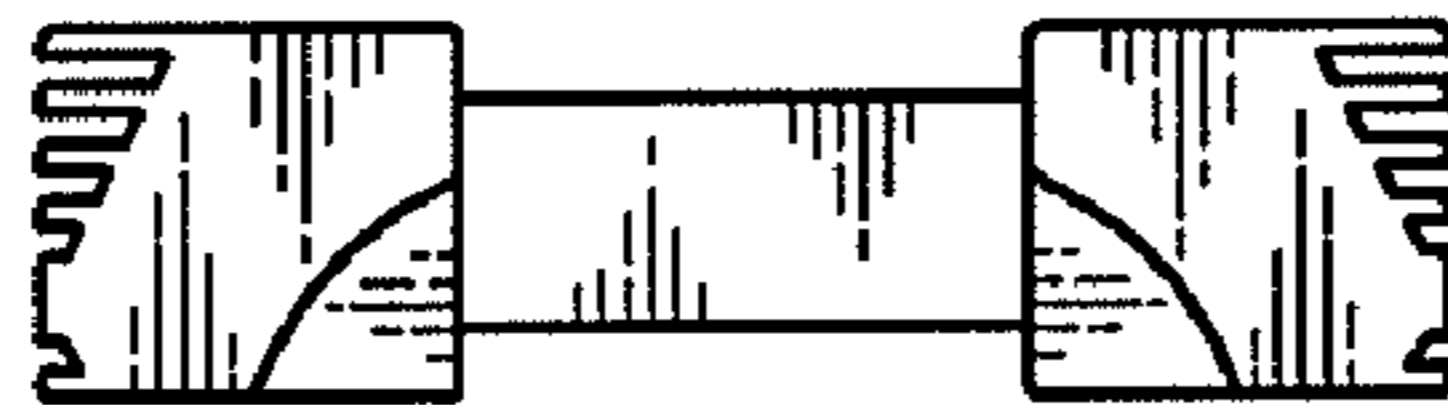


FIG. 2



FIG. 3

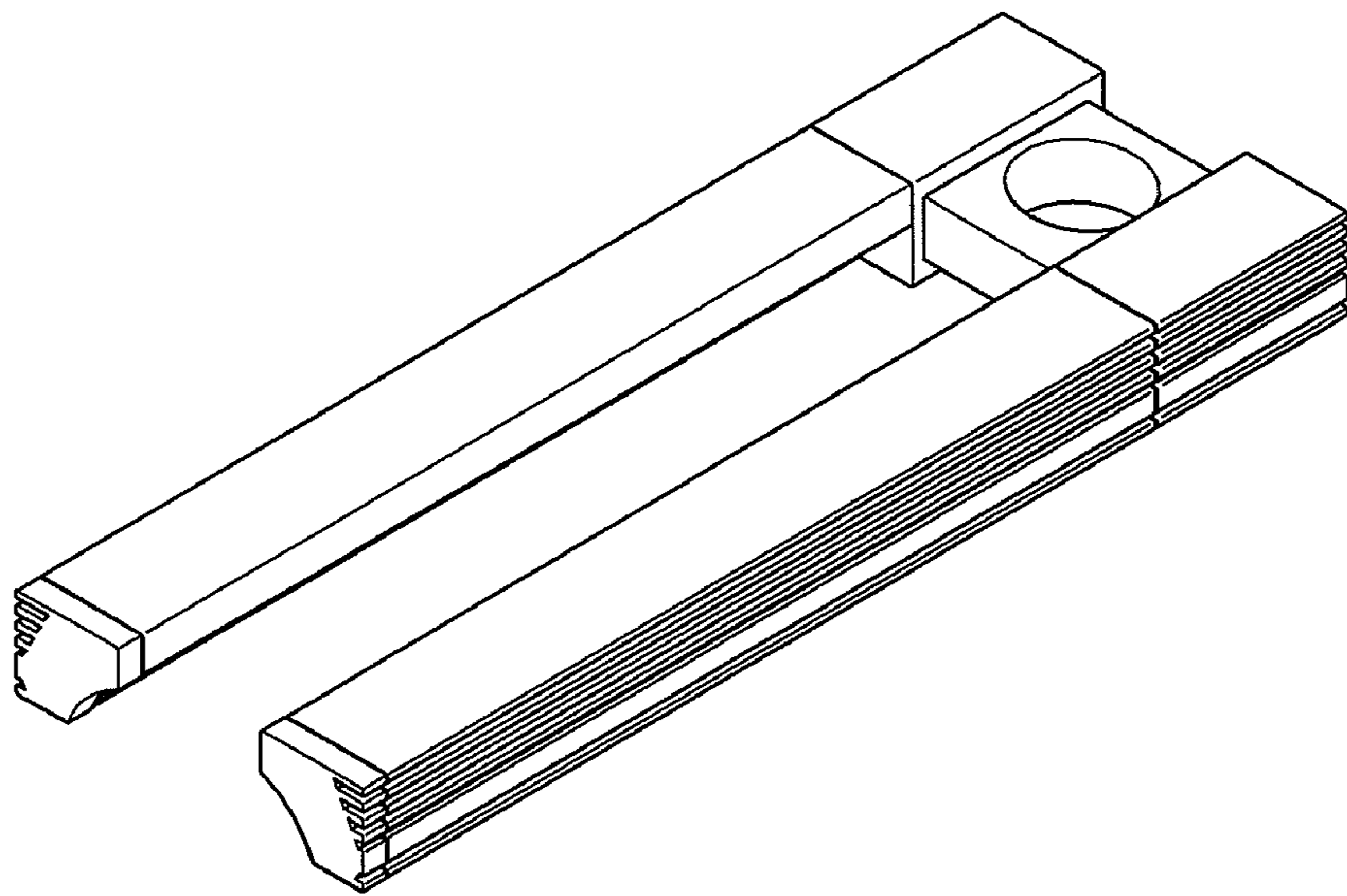


FIG. 4

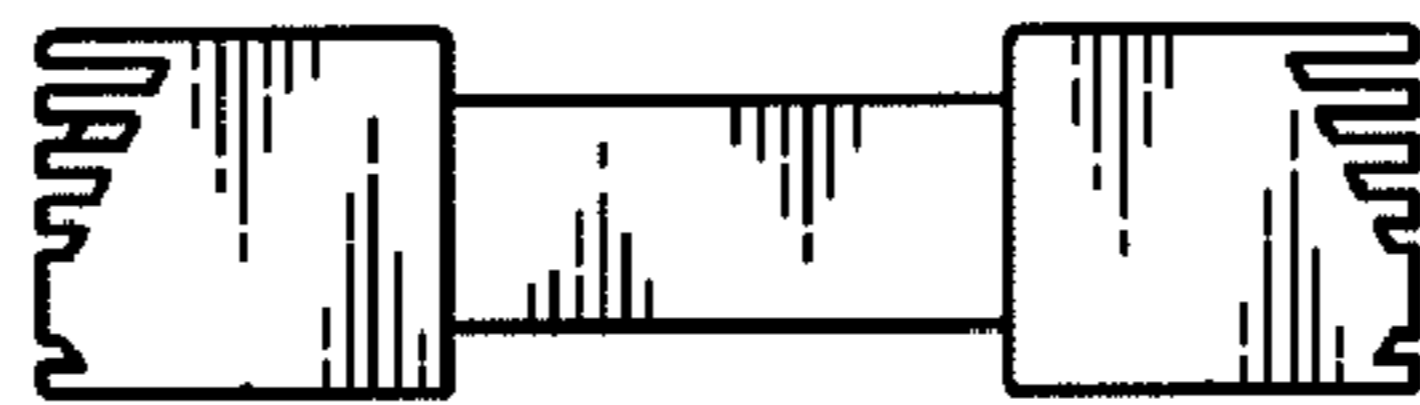


Fig 5

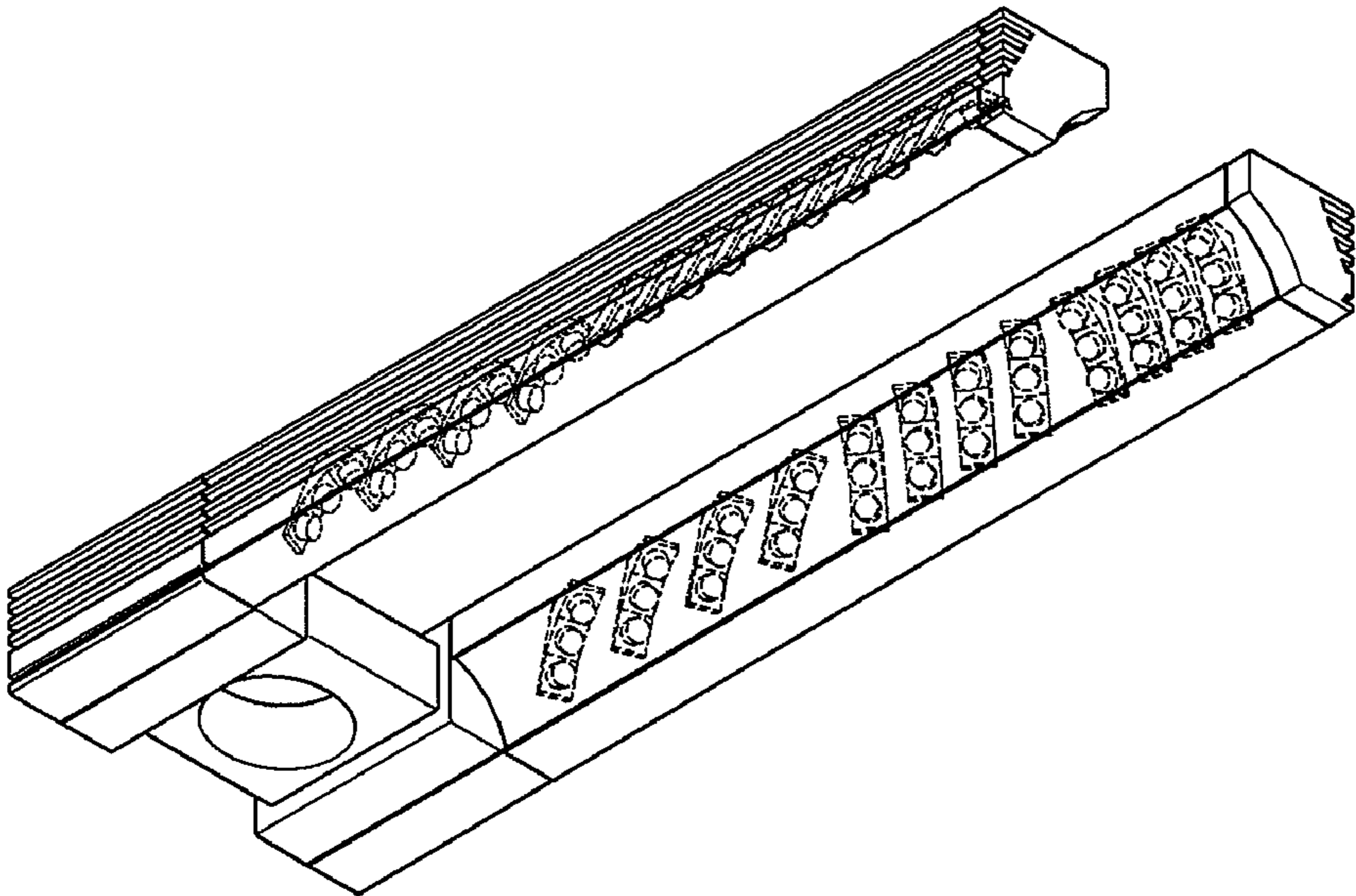


FIG. 6

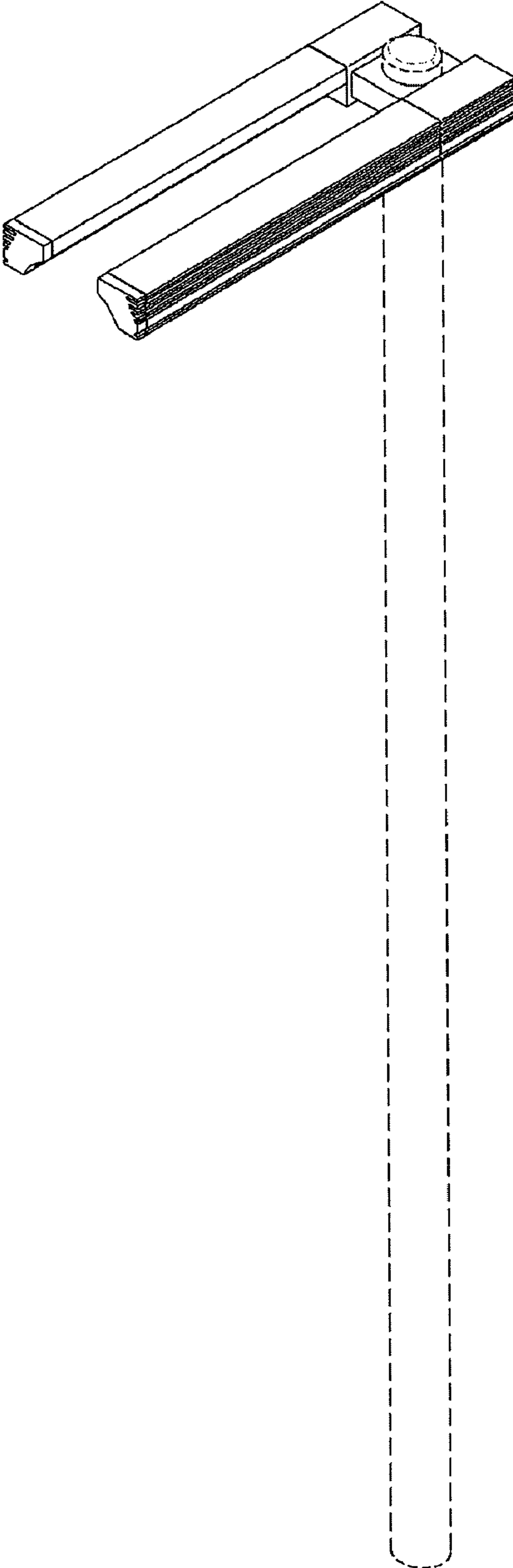


FIG. 7



FIG. 8

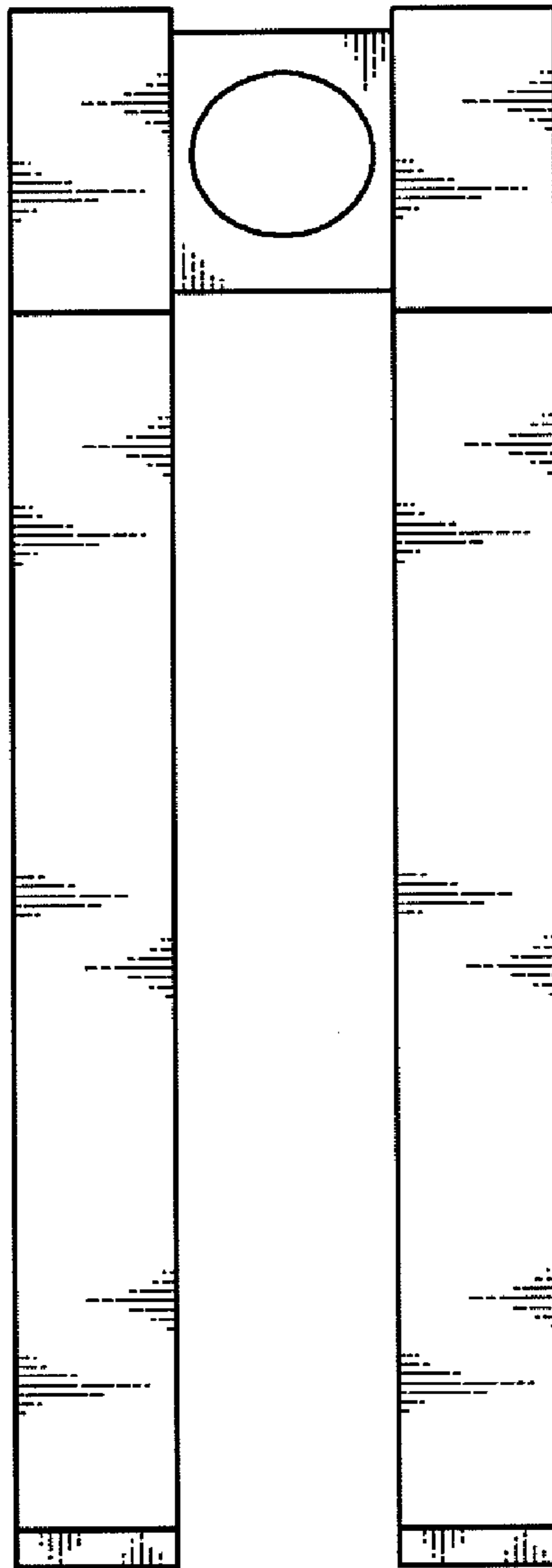


FIG. 9