



US00D610286S

(12) **United States Design Patent**  
**Kimura**

(10) **Patent No.:** **US D610,286 S**  
(45) **Date of Patent:** **\*\* Feb. 16, 2010**

(54) **STREET LIGHT**

(75) Inventor: **Hirozumi Kimura**, Kumamoto (JP)

(73) Assignee: **Koyo Electric Industrial Company, Incorporated**, Kumamoto-Shi, Kumamoto (JP)

(\*\*) Term: **14 Years**

(21) Appl. No.: **29/323,861**

(22) Filed: **Sep. 2, 2008**

(30) **Foreign Application Priority Data**

Jul. 18, 2008 (JP) ..... 2008-018638  
Aug. 6, 2008 (JP) ..... 2008-020267

(51) **LOC (9) Cl.** ..... **26-05**

(52) **U.S. Cl.** ..... **D26/71**

(58) **Field of Classification Search** ..... D26/67-72,  
D26/85, 92; 362/145, 152, 183, 294, 373,  
362/414, 431, 545, 800

See application file for complete search history.

(56) **References Cited**

**U.S. PATENT DOCUMENTS**

D164,065 S \* 7/1951 Rutledge ..... D26/71  
D186,130 S \* 9/1959 Izzi ..... D26/71  
2,916,609 A \* 12/1959 Heinz et al. .... 362/374  
D196,670 S \* 10/1963 Kinnear et al. .... D26/69

6,942,361 B1 \* 9/2005 Kishimura et al. .... 362/240  
D578,696 S \* 10/2008 Wang et al. .... D26/70  
D578,697 S \* 10/2008 Zheng et al. .... D26/71  
7,434,959 B1 \* 10/2008 Wang ..... 362/249.01  
7,455,430 B2 \* 11/2008 Huang ..... 362/294  
D598,597 S \* 8/2009 Lu et al. .... D26/68  
2008/0174456 A1 \* 7/2008 Warren ..... 362/183

\* cited by examiner

*Primary Examiner*—Clare E Heflin

(74) *Attorney, Agent, or Firm*—Buchanan Ingersoll & Rooney PC

(57) **CLAIM**

The ornamental design for a street light, as shown and described.

**DESCRIPTION**

FIG. 1 is a front elevational view of the street light showing my new design;

FIG. 2 is a rear elevational view thereof.

FIG. 3 is a top plan view thereof.

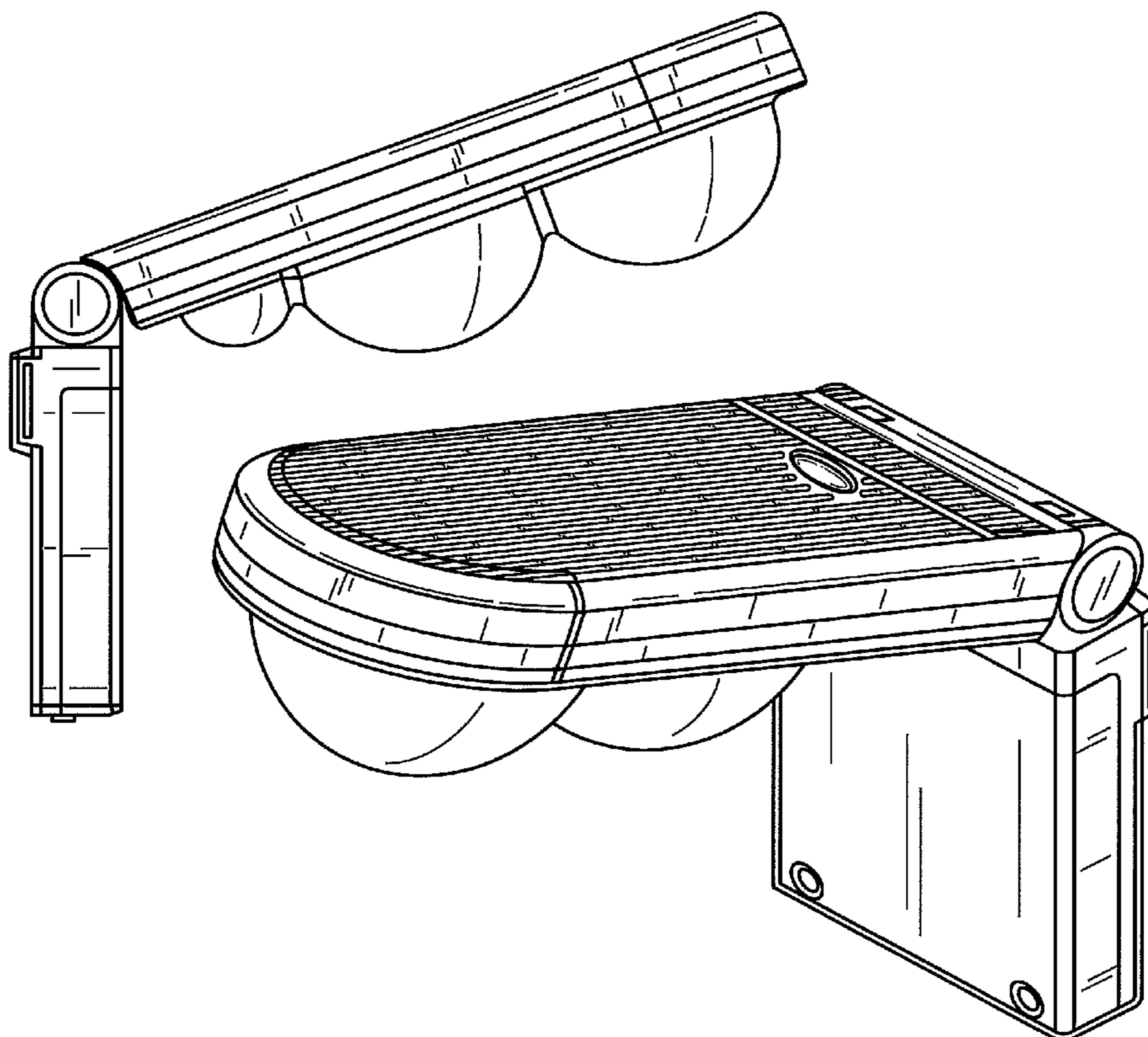
FIG. 4 is a bottom plan view thereof.

FIG. 5 is a left side elevational view thereof, the right side elevational view being a mirror image.

FIG. 6 is a top perspective view thereof; and,

FIG. 7 is a bottom perspective view thereof.

**1 Claim, 6 Drawing Sheets**



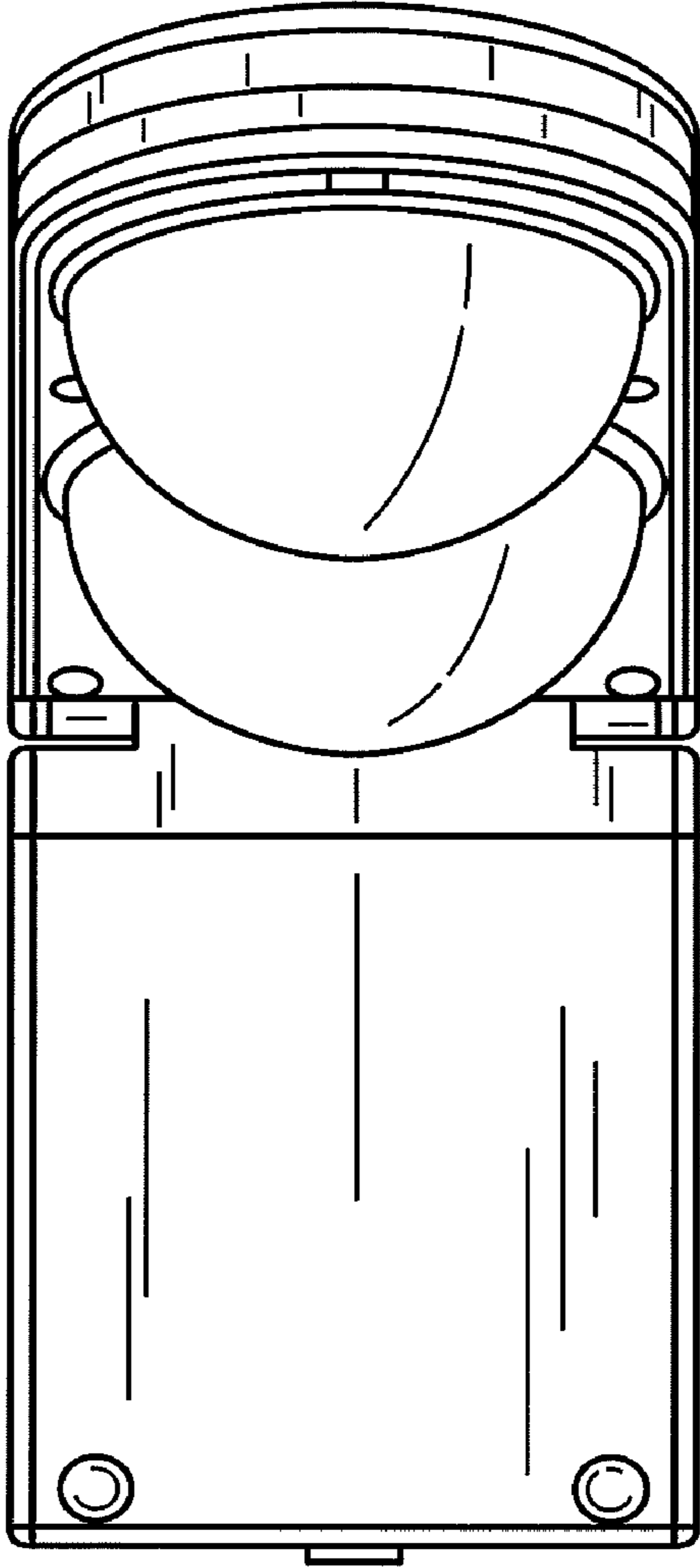


FIG. 1

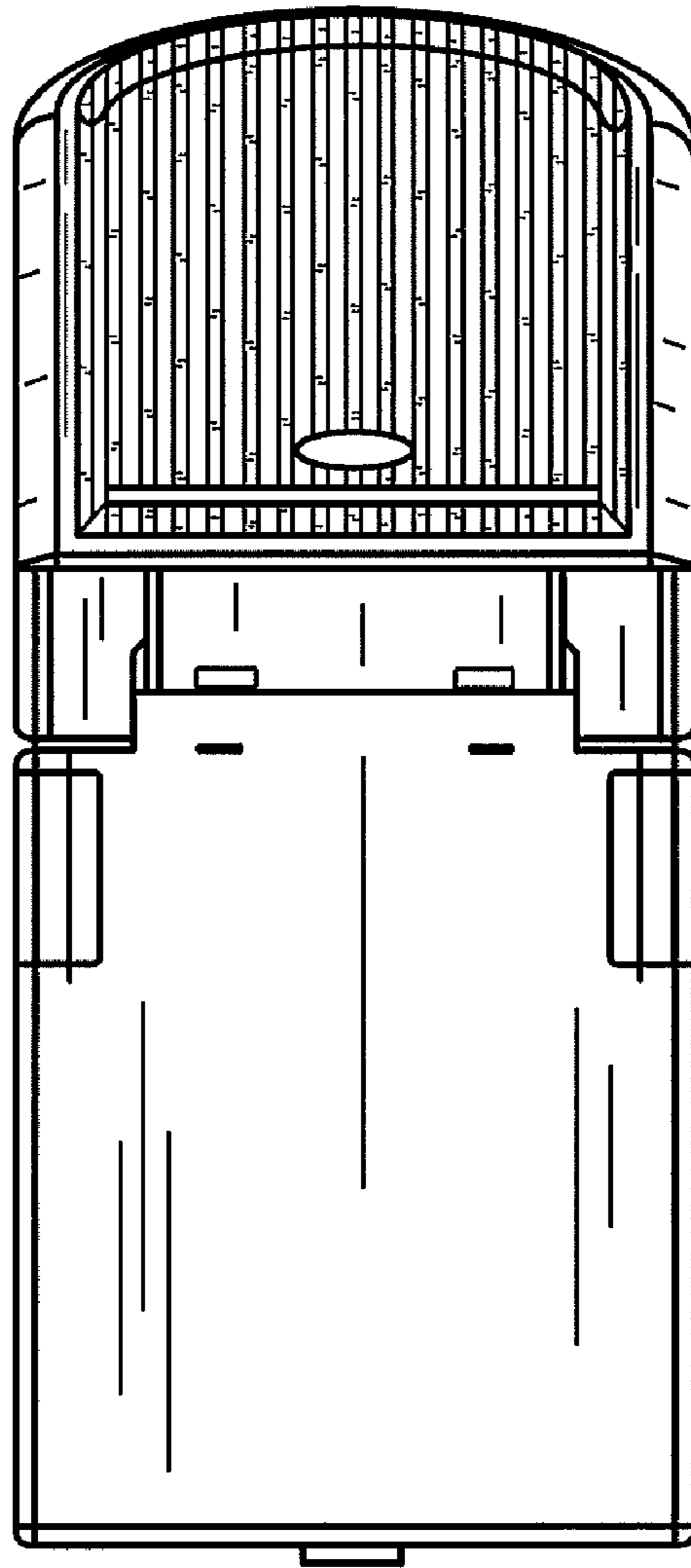


FIG. 2

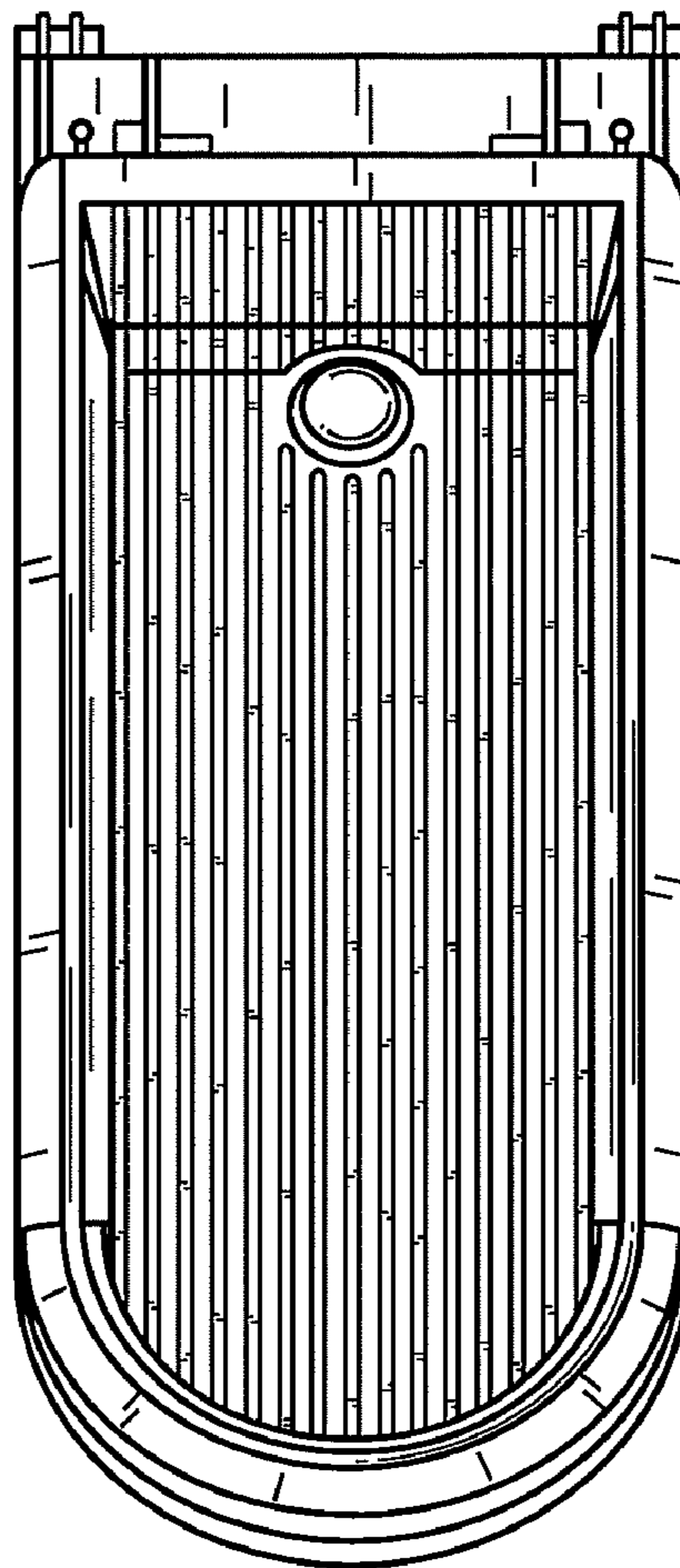


FIG. 3

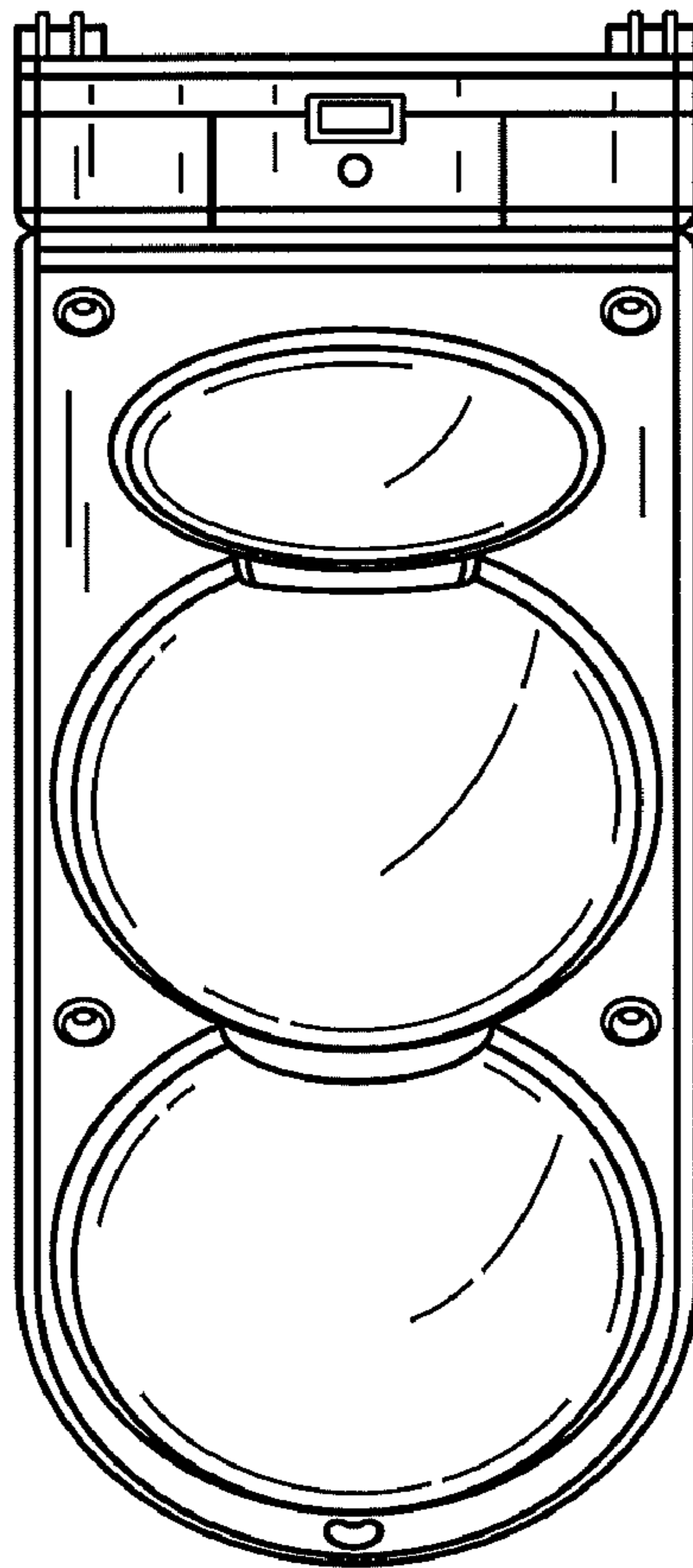


FIG. 4

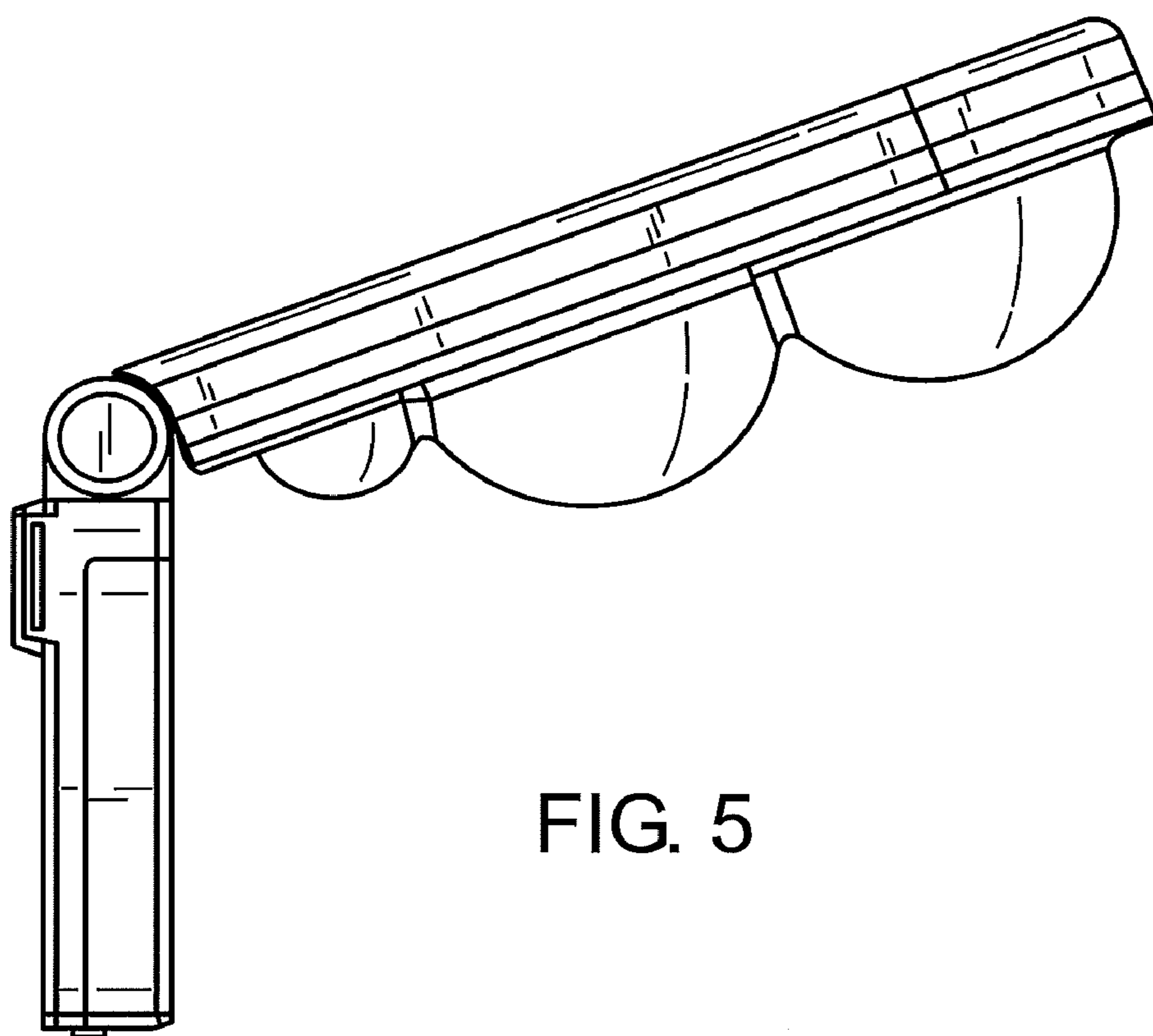


FIG. 5

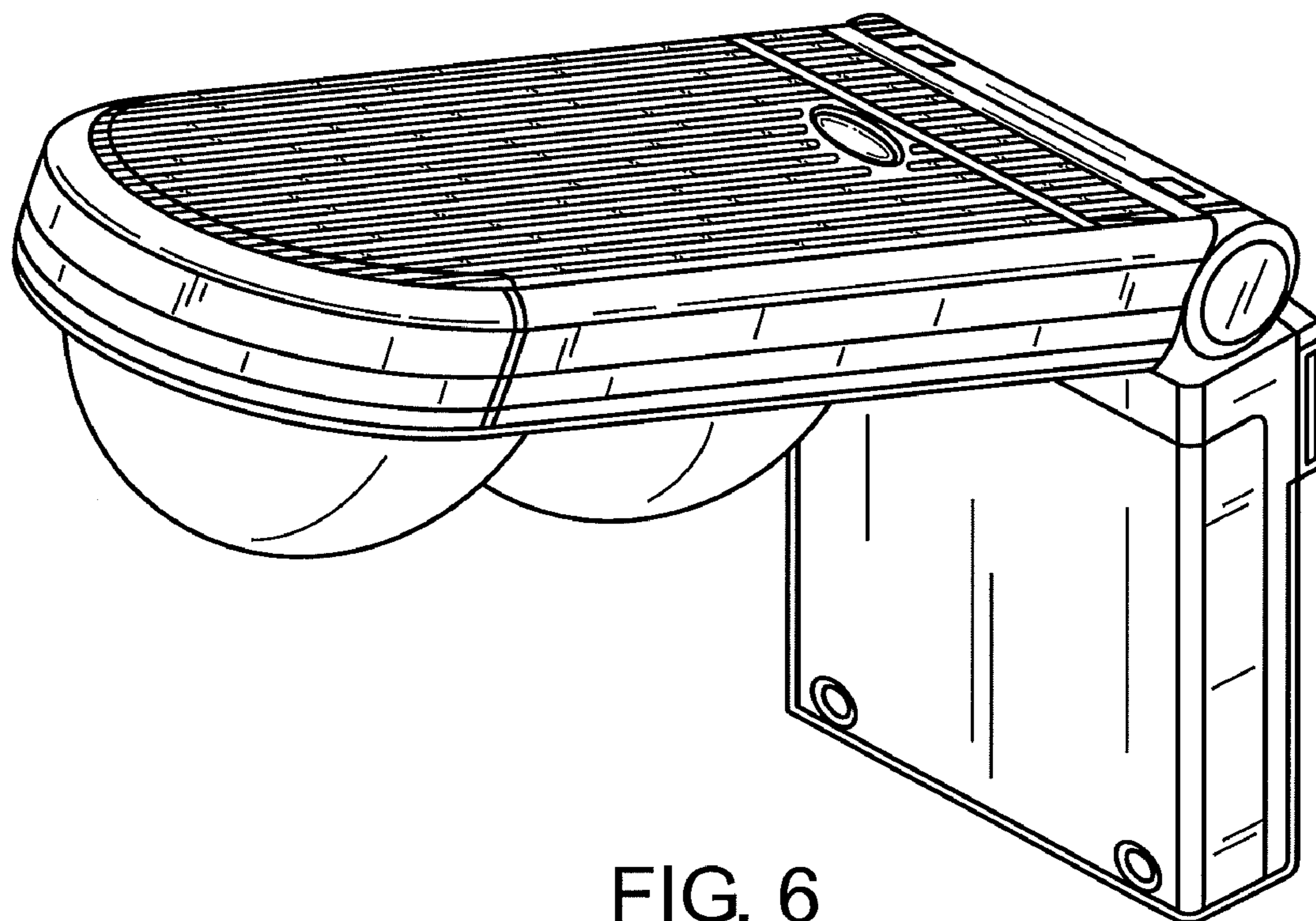


FIG. 6

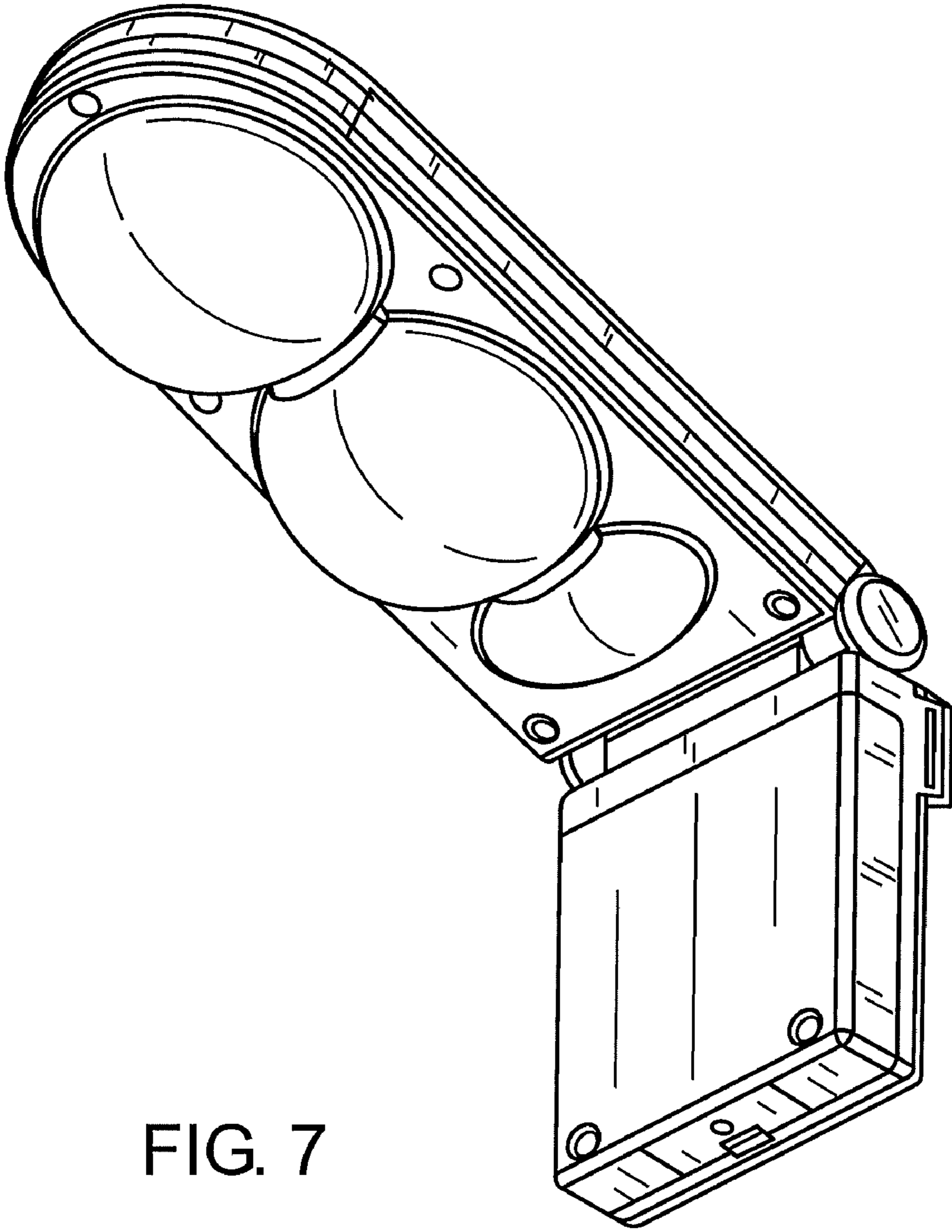


FIG. 7