



US00D610285S

(12) **United States Design Patent**
Sanoner

(10) **Patent No.:** **US D610,285 S**

(45) **Date of Patent:** **** *Feb. 16, 2010**

(54) **OUTDOOR LIGHT**

(75) Inventor: **Hughes Marie Sanoner**, Discovery Bay (HK)

(73) Assignee: **Solar Wide Industrial Ltd.**, Tsuen Wan, New Territories, Hong Kong (HK)

(*) Notice: This patent is subject to a terminal disclaimer.

(**) Term: **14 Years**

(21) Appl. No.: **29/210,217**

(22) Filed: **Jul. 28, 2004**

(51) **LOC (9) Cl.** **26-05**

(52) **U.S. Cl.** **D26/68**

(58) **Field of Classification Search** D26/67-71,
D26/85; 362/153, 153.1, 183-185, 362,
362/363, 805

See application file for complete search history.

(56) **References Cited**

U.S. PATENT DOCUMENTS

D47,318 S *	4/1915	Bouchery	D26/67
D196,981 S *	11/1963	Pettengill	D26/67
D197,381 S *	1/1964	Muller	D26/67
D201,515 S *	6/1965	Pettengill	D26/67
3,339,065 A *	8/1967	Kelley, Jr.	362/363
3,400,905 A *	9/1968	Dusen, Jr.	362/431
3,721,516 A *	3/1973	Reese	362/431
D284,311 S *	6/1986	Patel	D26/67
D329,099 S *	9/1992	Hall et al.	D26/67
D507,069 S *	7/2005	Sanoner	D26/68
D507,070 S *	7/2005	Sanoner	D26/68

OTHER PUBLICATIONS

Park Illuminator Top-Pole from Fincom EOOD. Found online at alibaba.com on Aug. 25, 2005.*

Solar Garden Lamp (A) from Ningbo Hangshun Electrical Co., Ltd.. Found online at hangshun.en.alibaba.com on Aug. 25, 2005.*

Solar Garden Lamp (B) from Ningbo Hangshun Electrical Co., Ltd.. Found online at hangshun.en.alibaba.com on Aug. 25, 2005.*

* cited by examiner

Primary Examiner—Clare E Heflin

(74) *Attorney, Agent, or Firm*—Alix, Yale & Ristas, LLP

(57) **CLAIM**

The ornamental design for an outdoor light, as shown and described.

DESCRIPTION

FIG. 1 is a front, right side and top perspective view of the outdoor light showing my new design;

FIG. 2 is a front elevational view thereof;

FIG. 3 is a rear elevational view thereof;

FIG. 4 is a right side elevational view thereof;

FIG. 5 is a left side elevational view thereof;

FIG. 6 is a top plan view thereof;

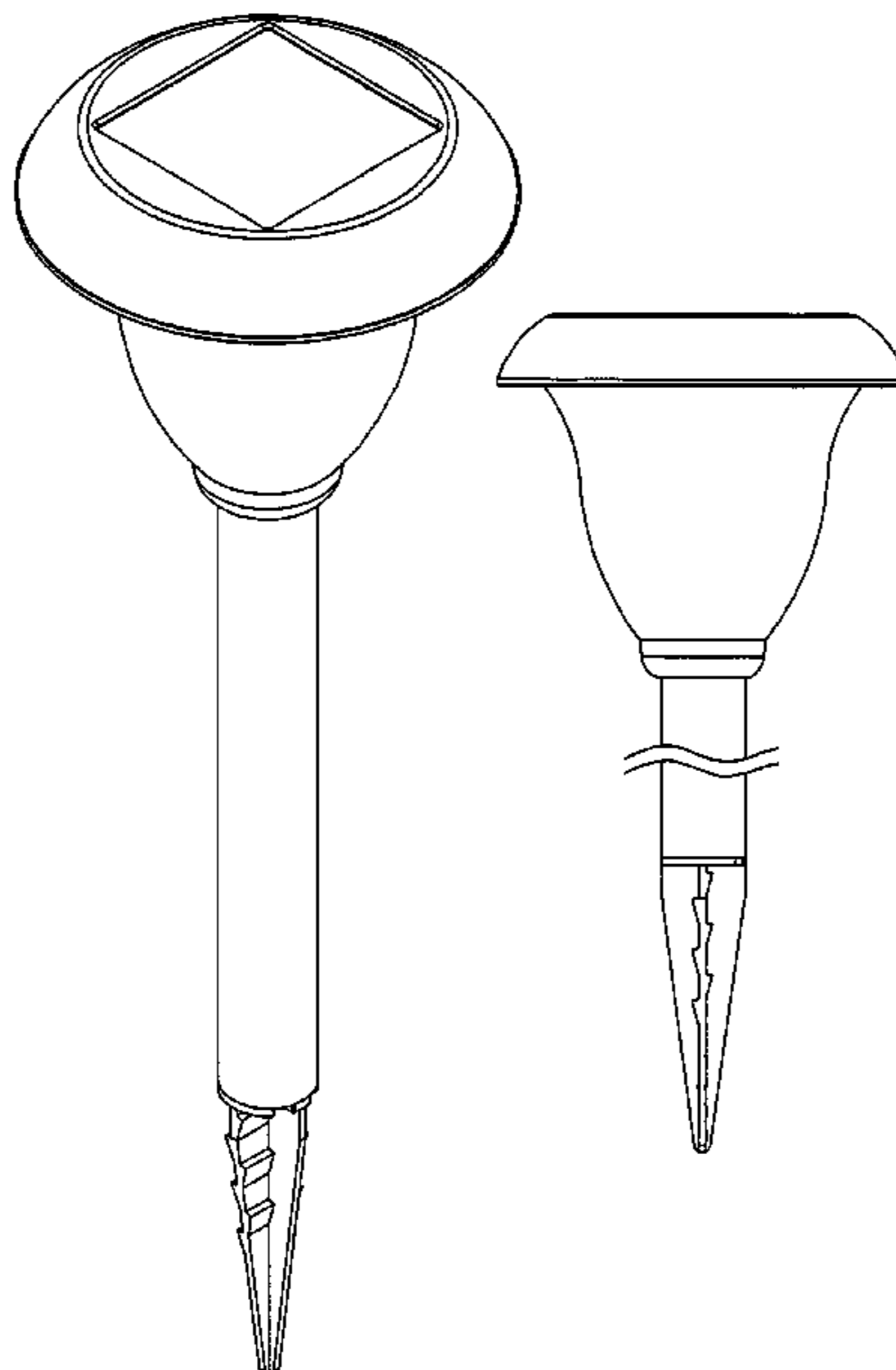
FIG. 7 is a bottom plan view thereof;

FIG. 8 is a front, right side and top perspective view of the lamp portion thereof showing the support stake removed for illustrative purposes only; and,

FIG. 9 is a front, right side and top perspective view of the diffuser portion thereof showing the outside housing and the support stake removed for illustrative purposes only.

The support stake is shown broken away in FIGS. 2-5 for ease of illustration only, and the structure shown in broken lines in FIG. 8 represents environment only and forms no part of the claimed design.

1 Claim, 5 Drawing Sheets



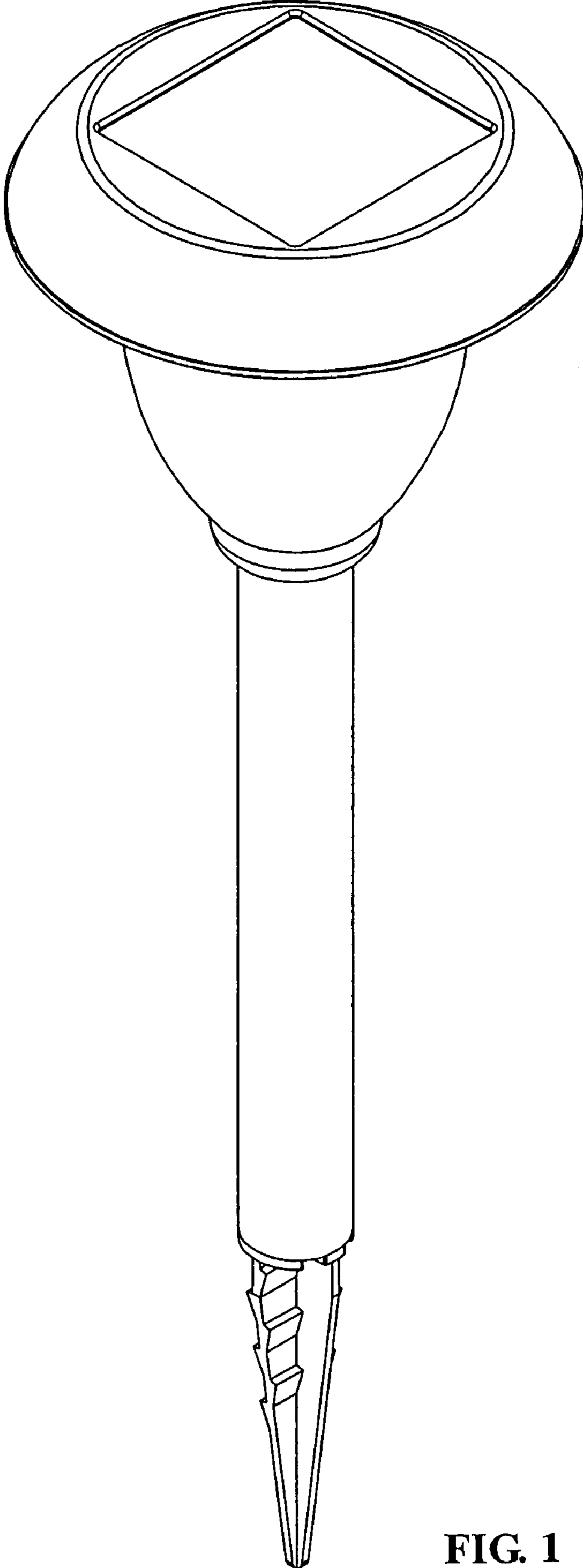


FIG. 1

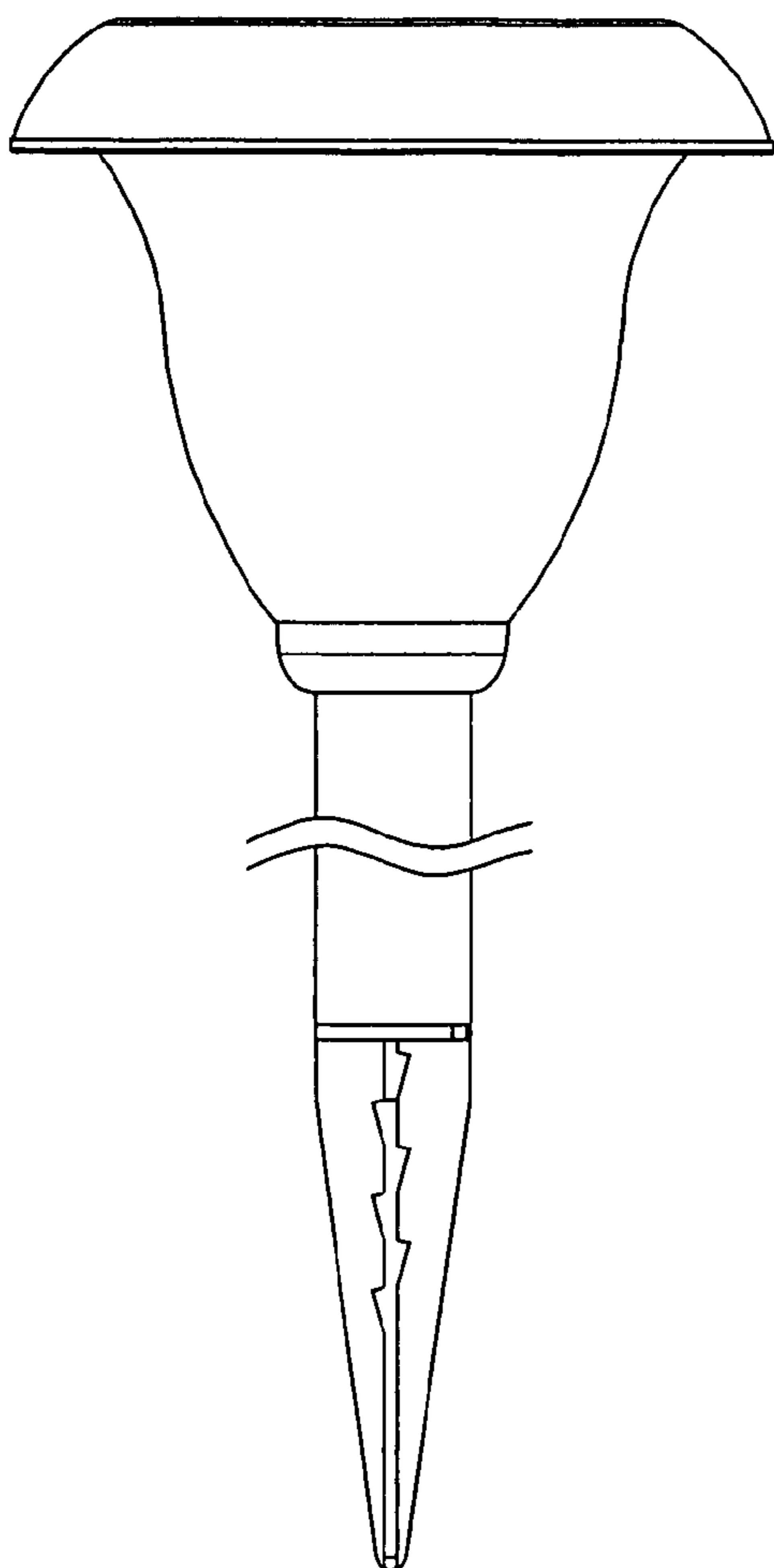


FIG. 2

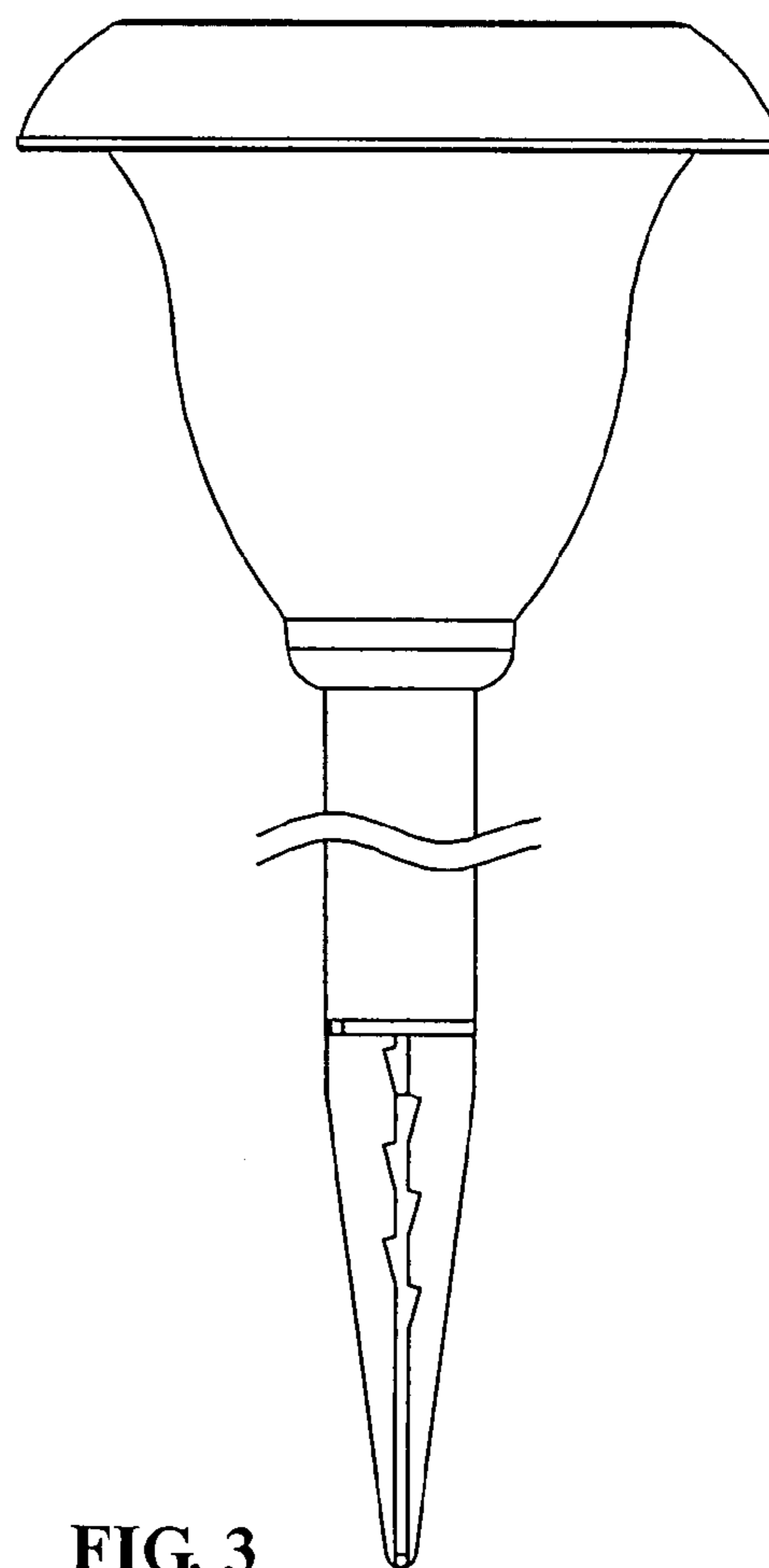


FIG. 3

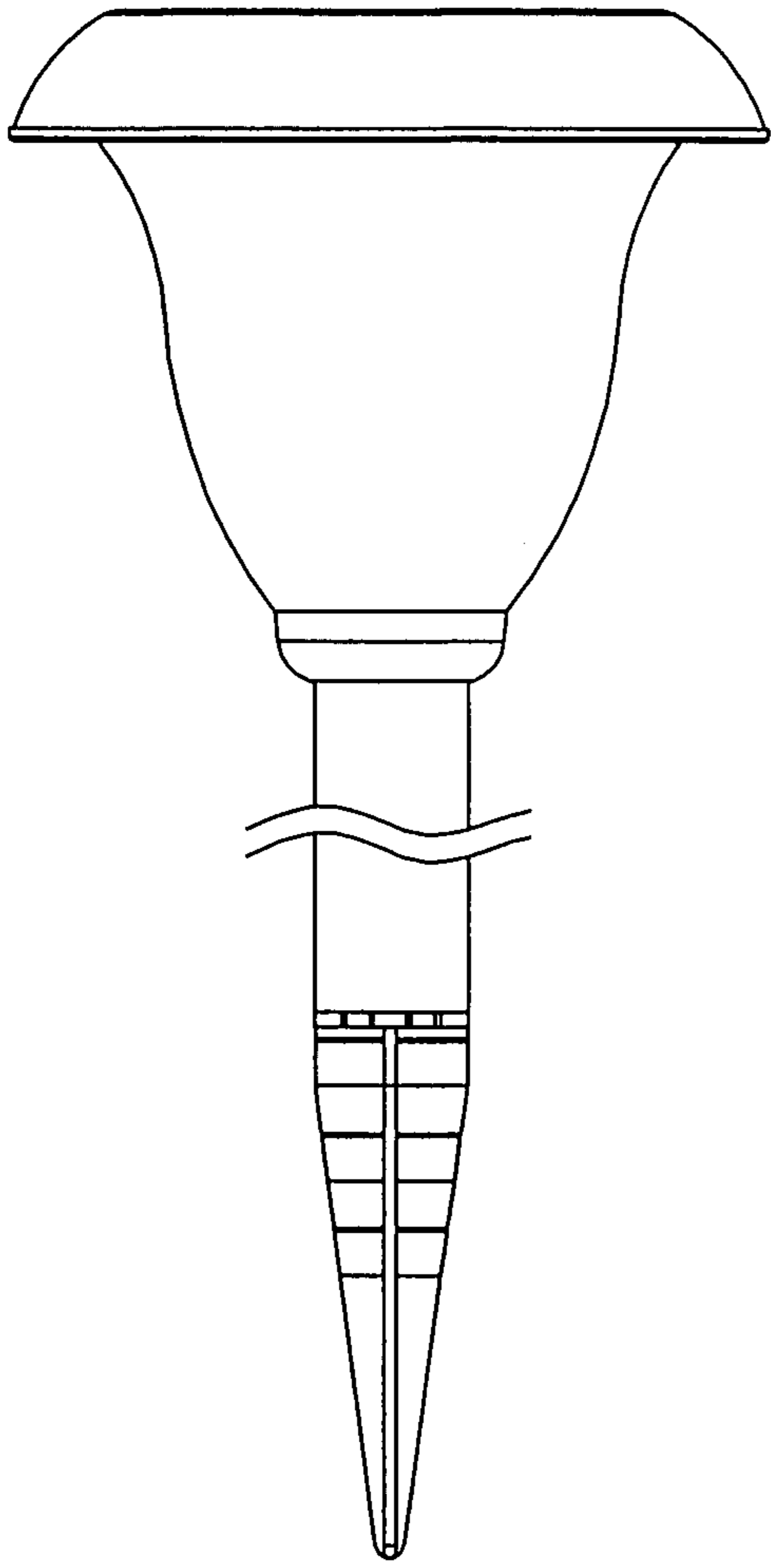


FIG. 4

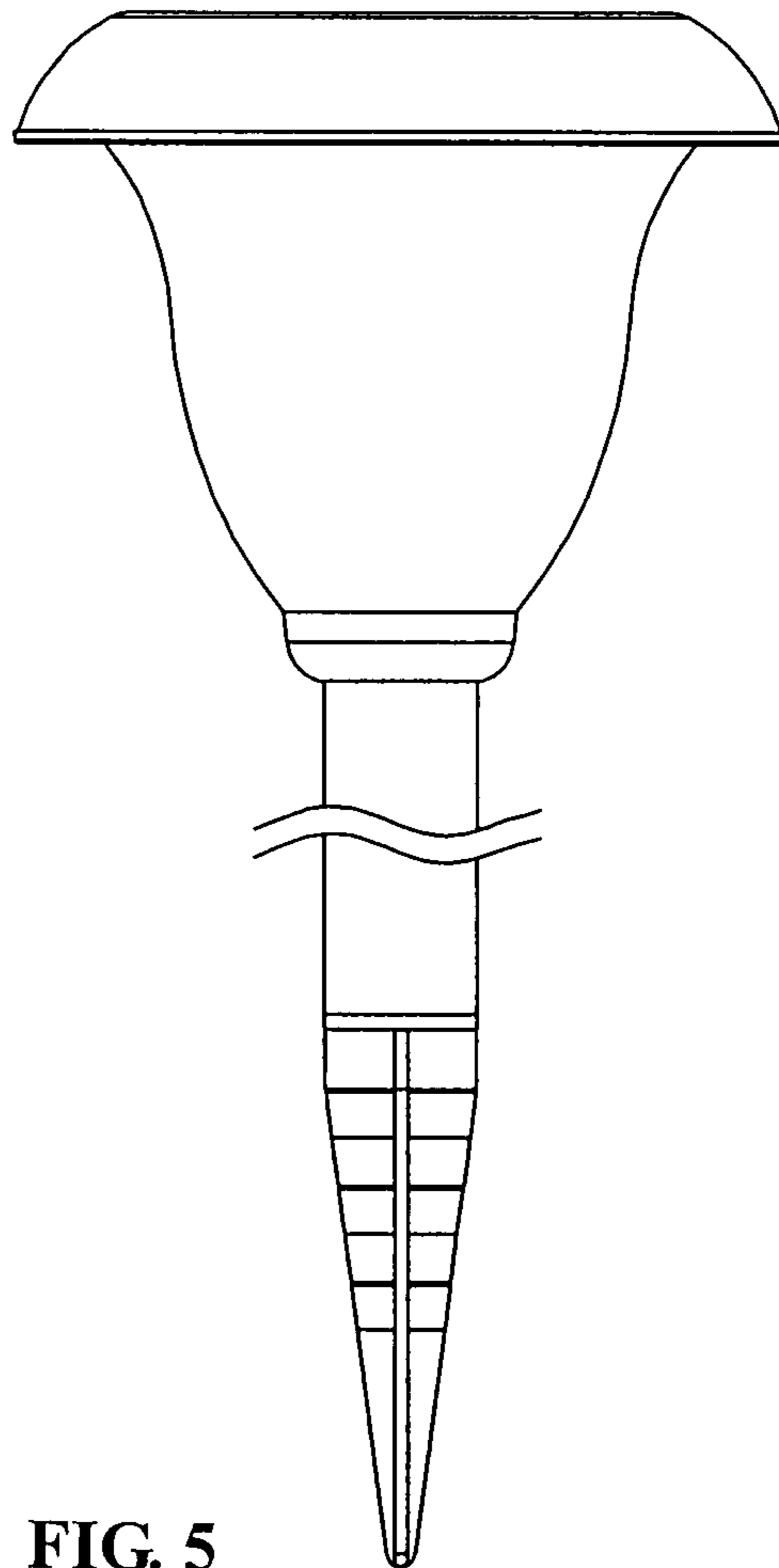


FIG. 5

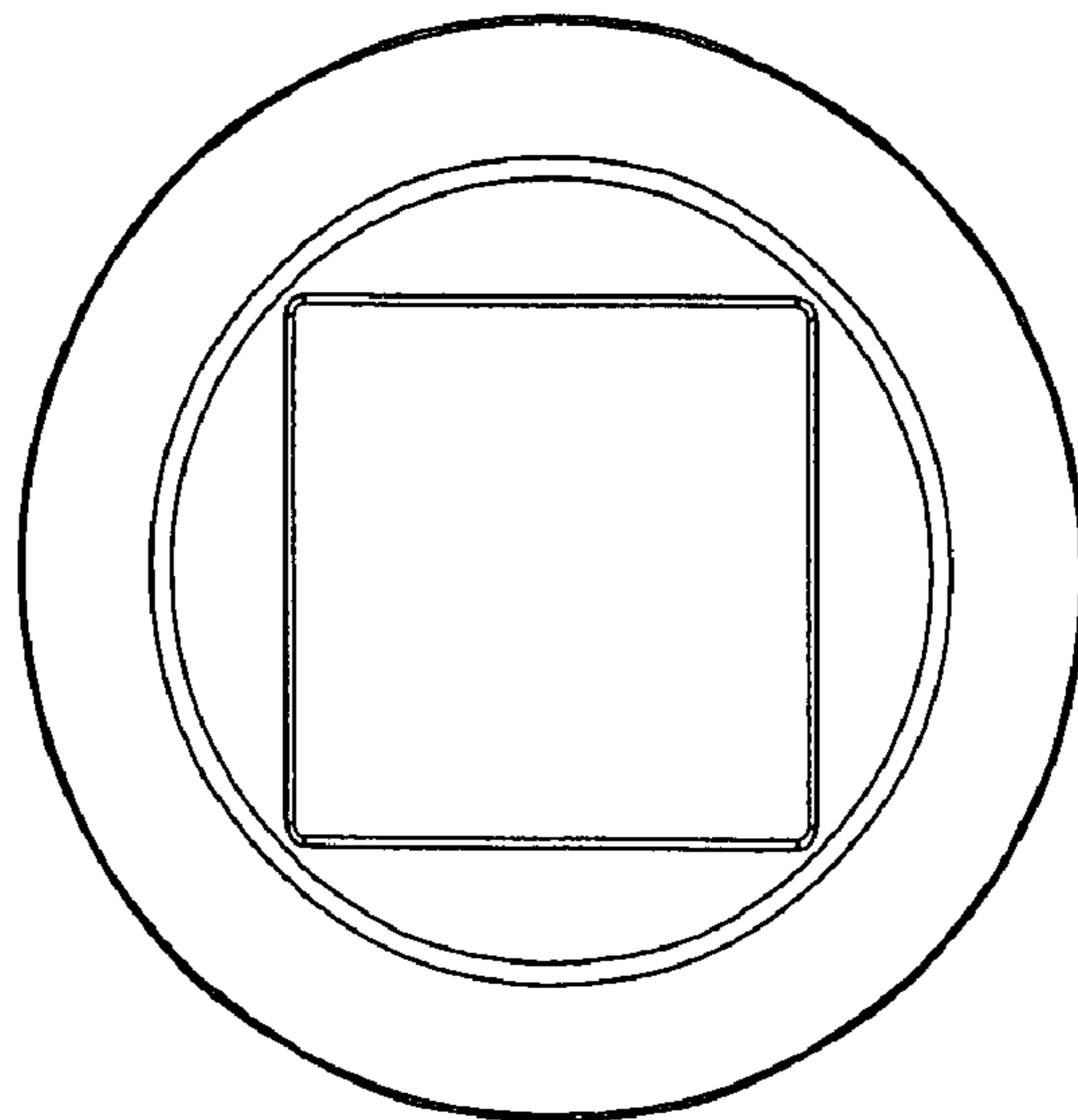


FIG. 6

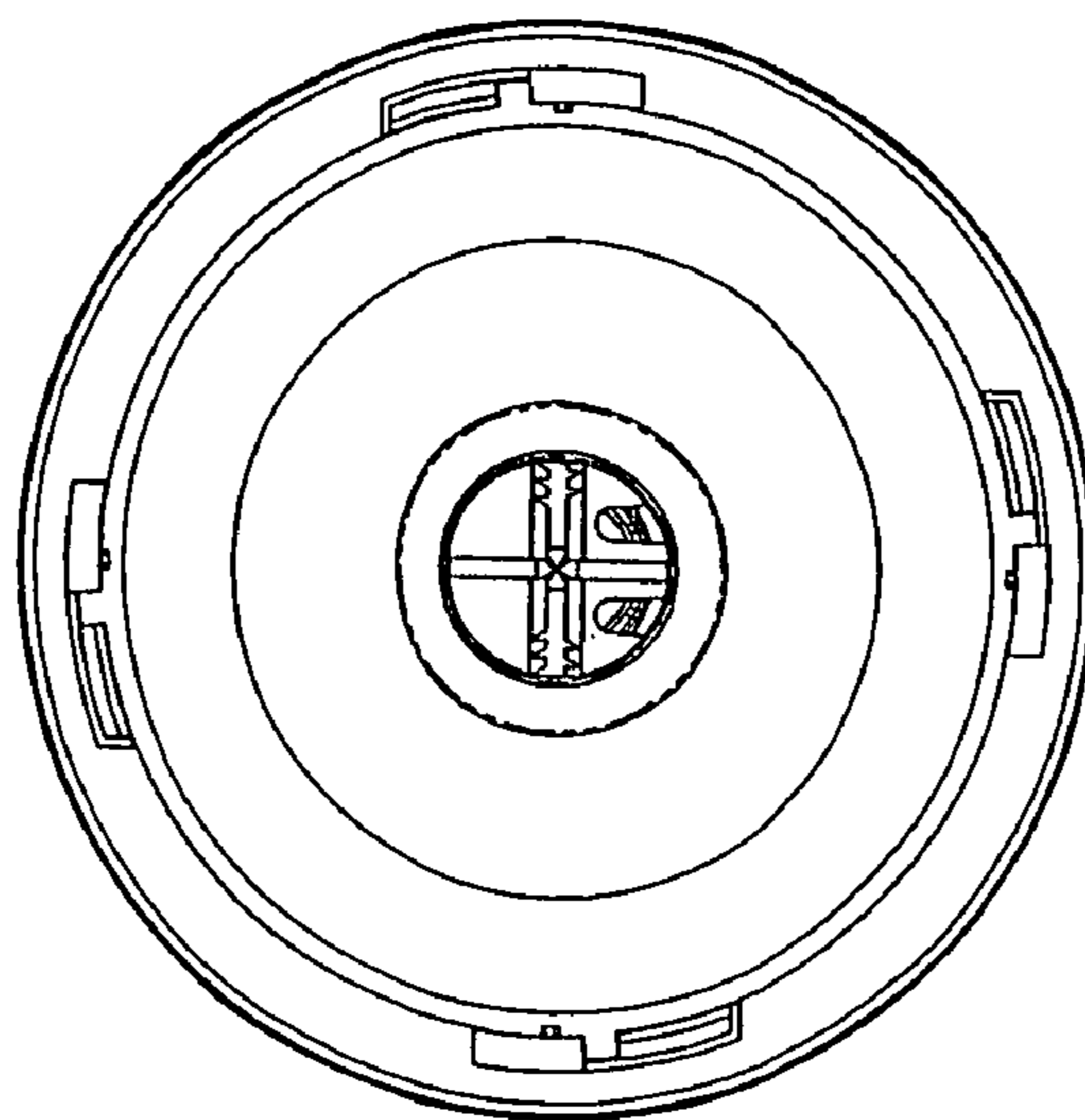


FIG. 7

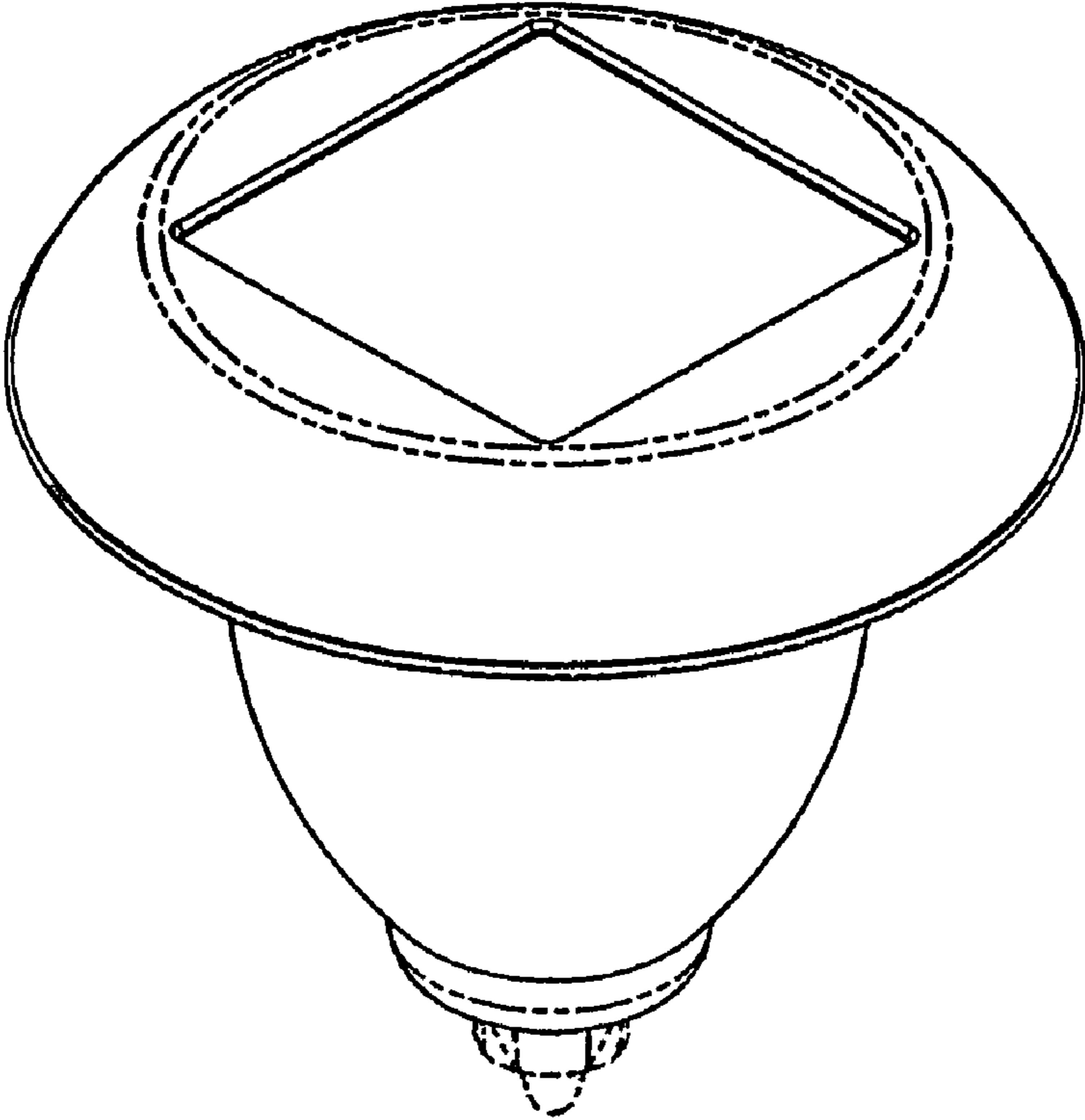


FIG. 8

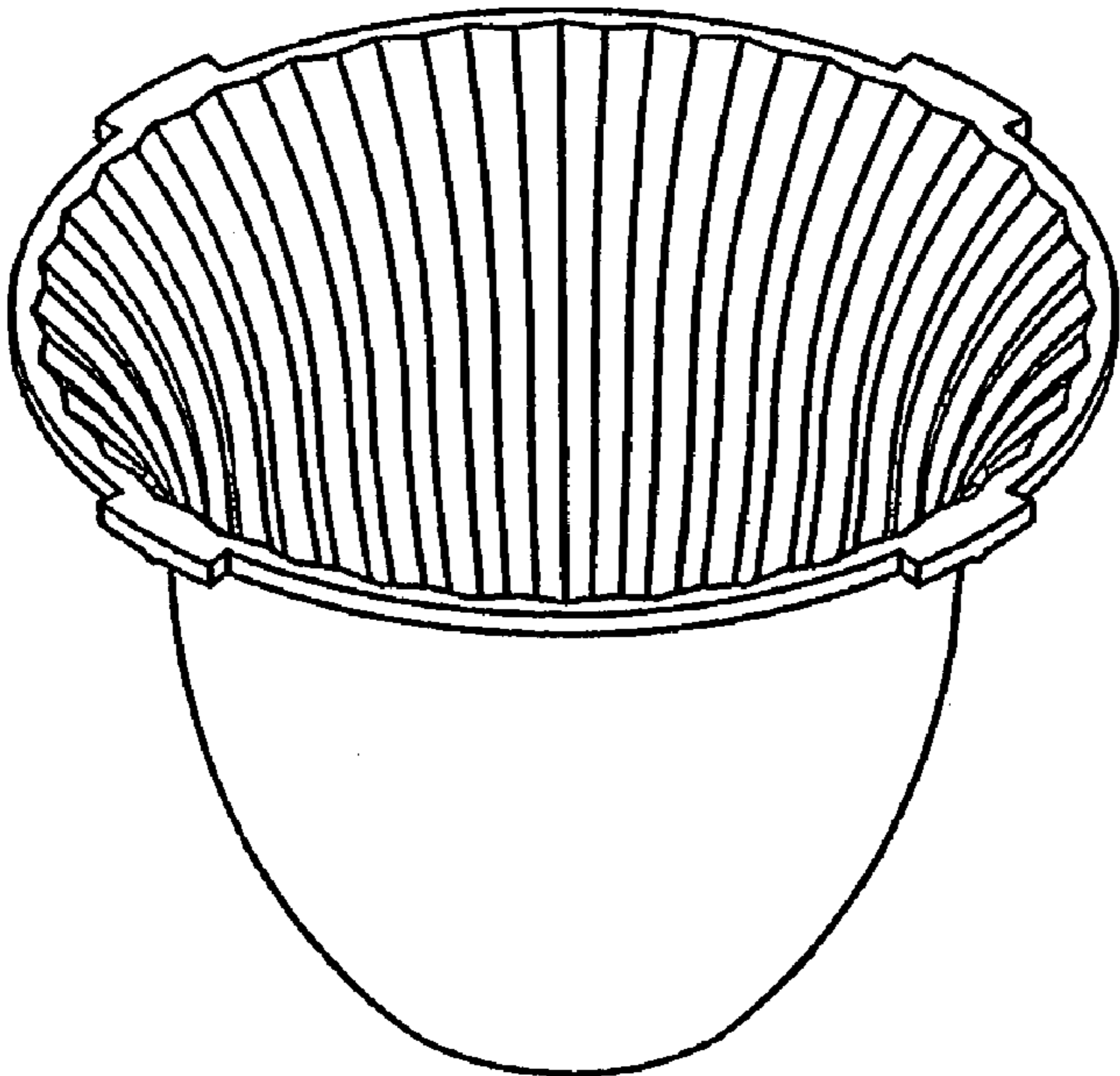


FIG. 9