



US00D610281S

(12) **United States Design Patent**
Gibboney

(10) **Patent No.:** **US D610,281 S**

(45) **Date of Patent:** **** Feb. 16, 2010**

(54) **LIGHTHOUSE NIGHT LIGHT**

(75) Inventor: **Jams W. Gibboney**, Conyers, GA (US)

(73) Assignee: **Ventur Research and Development Corporation**, St. Augustine, FL (US)

(**) Term: **14 Years**

(21) Appl. No.: **29/330,385**

(22) Filed: **Jan. 6, 2009**

(51) **LOC (9) Cl.** **26-05**

(52) **U.S. Cl.** **D26/26**

(58) **Field of Classification Search** D26/24,
D26/26, 37, 38, 39, 40, 44, 47, 49, 51, 52,
D26/57, 60, 61, 63, 67, 72, 73, 88, 95, 113,
D26/118, 125, 156, 85, 89, 74; D13/107,
D13/108; D14/432, 435.1, 255, 356; D23/366,
D23/367, 369; 362/217.02, 640, 641, 642,
362/643, 644, 652, 653, 657, 658, 659, 477,
362/88, 89, 98, 103, 104, 105, 109, 157,
362/171, 183, 190, 191, 194, 195, 249.1,
362/249.11, 311.01, 311.04, 311.05, 806,
362/147, 404; D25/26; D21/510, 511
See application file for complete search history.

(56) **References Cited**

U.S. PATENT DOCUMENTS

- D58,283 S * 6/1921 Woodard D12/199
- D71,643 S * 12/1926 Kendrick D26/95
- 1,825,085 A * 9/1931 Neill 362/309
- D112,700 S * 12/1938 Johnson D26/95
- D174,423 S * 4/1955 Glaser D99/41
- D352,793 S * 11/1994 Lishman D26/14
- D417,745 S * 12/1999 Oddo D26/95
- D422,966 S * 4/2000 Yu D13/137.2

- D438,817 S * 3/2001 Reaver D11/157
- D468,459 S * 1/2003 Yu D26/26
- D512,930 S * 12/2005 Hewitt et al. D10/113
- D516,270 S * 2/2006 Mathis D99/30
- D521,185 S * 5/2006 Lin D27/150

OTHER PUBLICATIONS

Lighthouse Night Light cover, Nov. 17, 2008, available on Internet
http://jhbwebdesign.com/shop/index.php?main_page=product_info&cPath=3&products_id=8,
retrieved on Jun. 2, 2009.*

* cited by examiner

Primary Examiner—Cathron C Brooks

Assistant Examiner—Angela J Lee

(74) *Attorney, Agent, or Firm*—Michael A. Mann; Nexsen Pruet, LLC

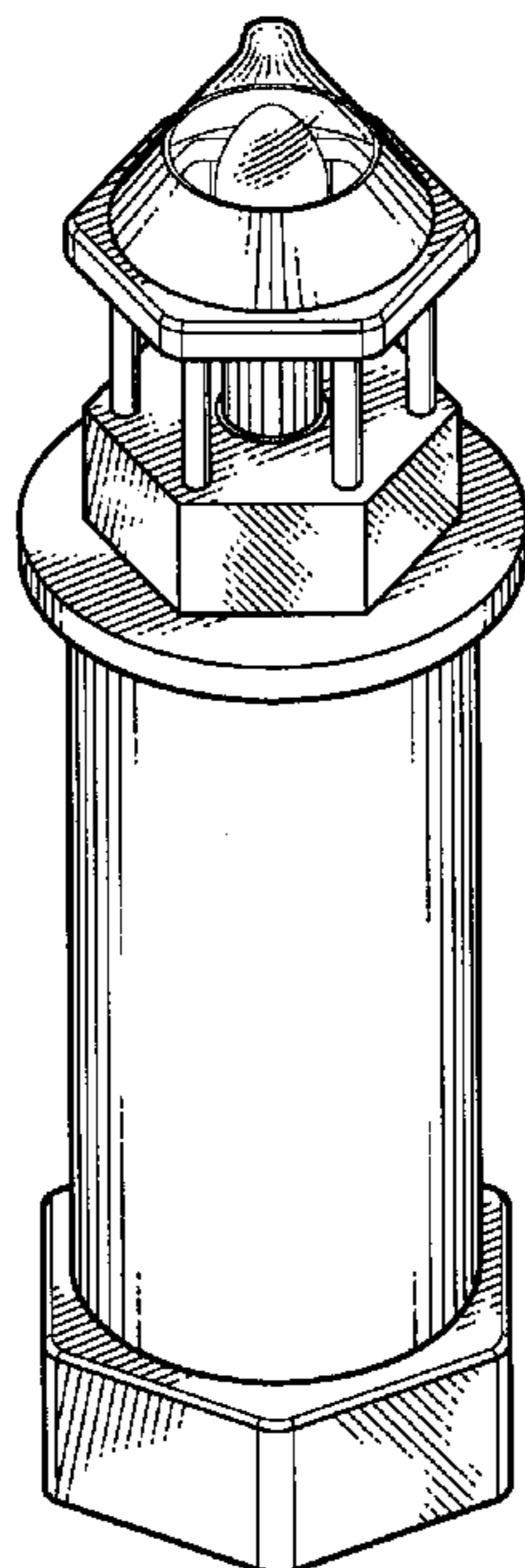
(57) **CLAIM**

I claim the ornamental design for a lighthouse night light, as shown and described.

DESCRIPTION

FIG. 1 is a top perspective view thereof;
FIG. 2 is a cross-section view taken along the lines 2—2 of FIG. 3;
FIG. 3 is a front view thereof;
FIG. 4 is a rear view thereof;
FIG. 5 is a left side view thereof;
FIG. 6 is a right side view thereof;
FIG. 7 is a top view thereof; and,
FIG. 8 is a bottom view thereof using broken lines to indicate those features that do not constitute a part of the claimed design.

1 Claim, 3 Drawing Sheets



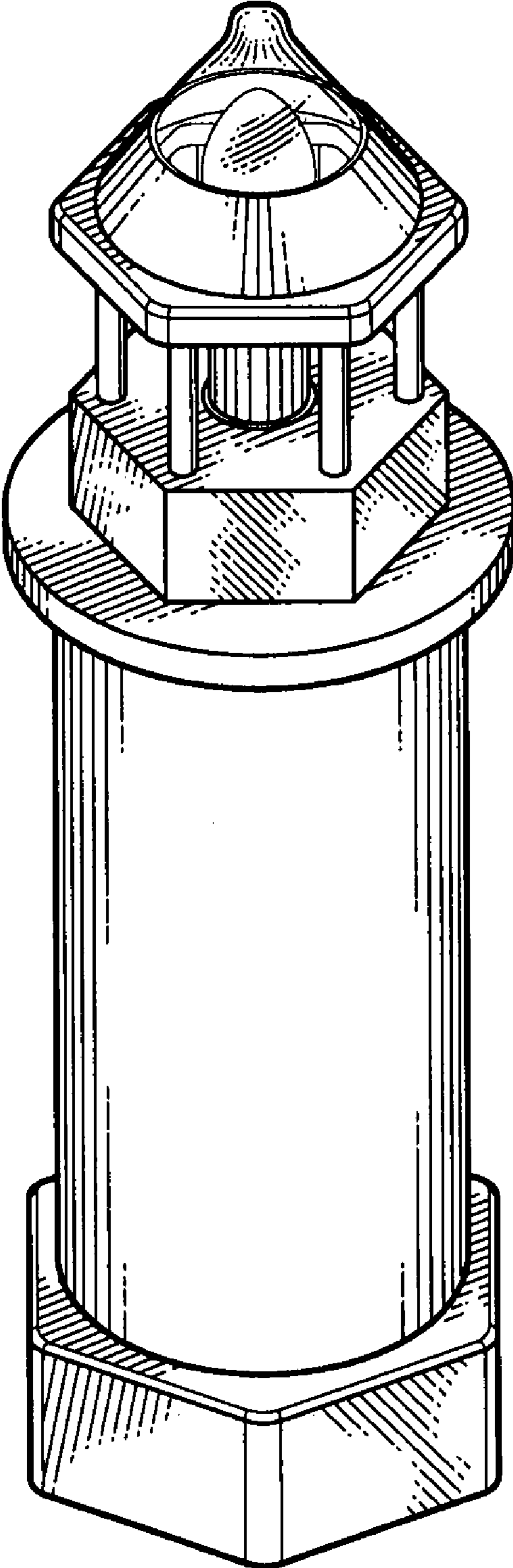


FIG. 1

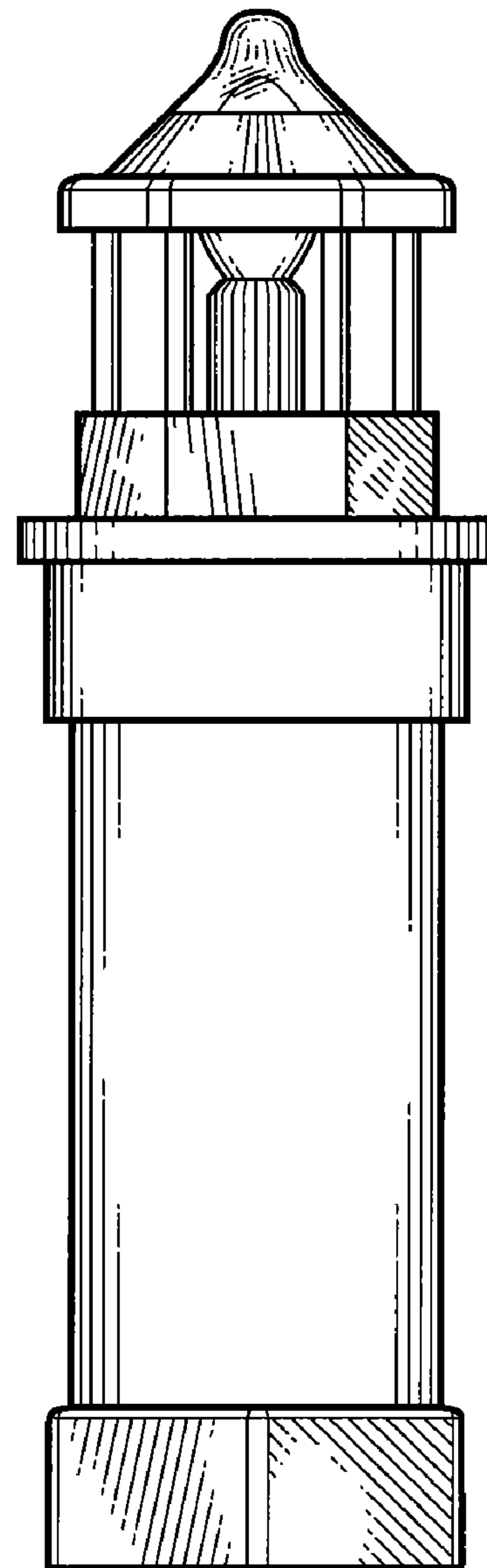
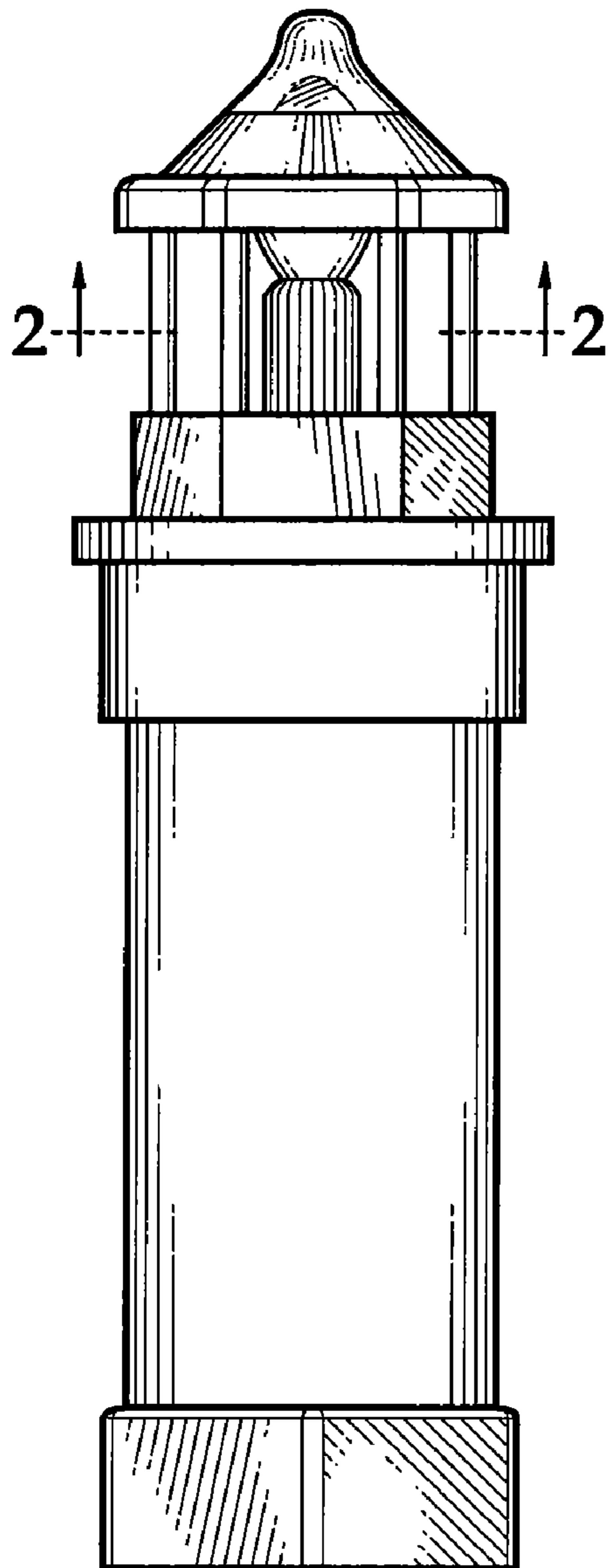
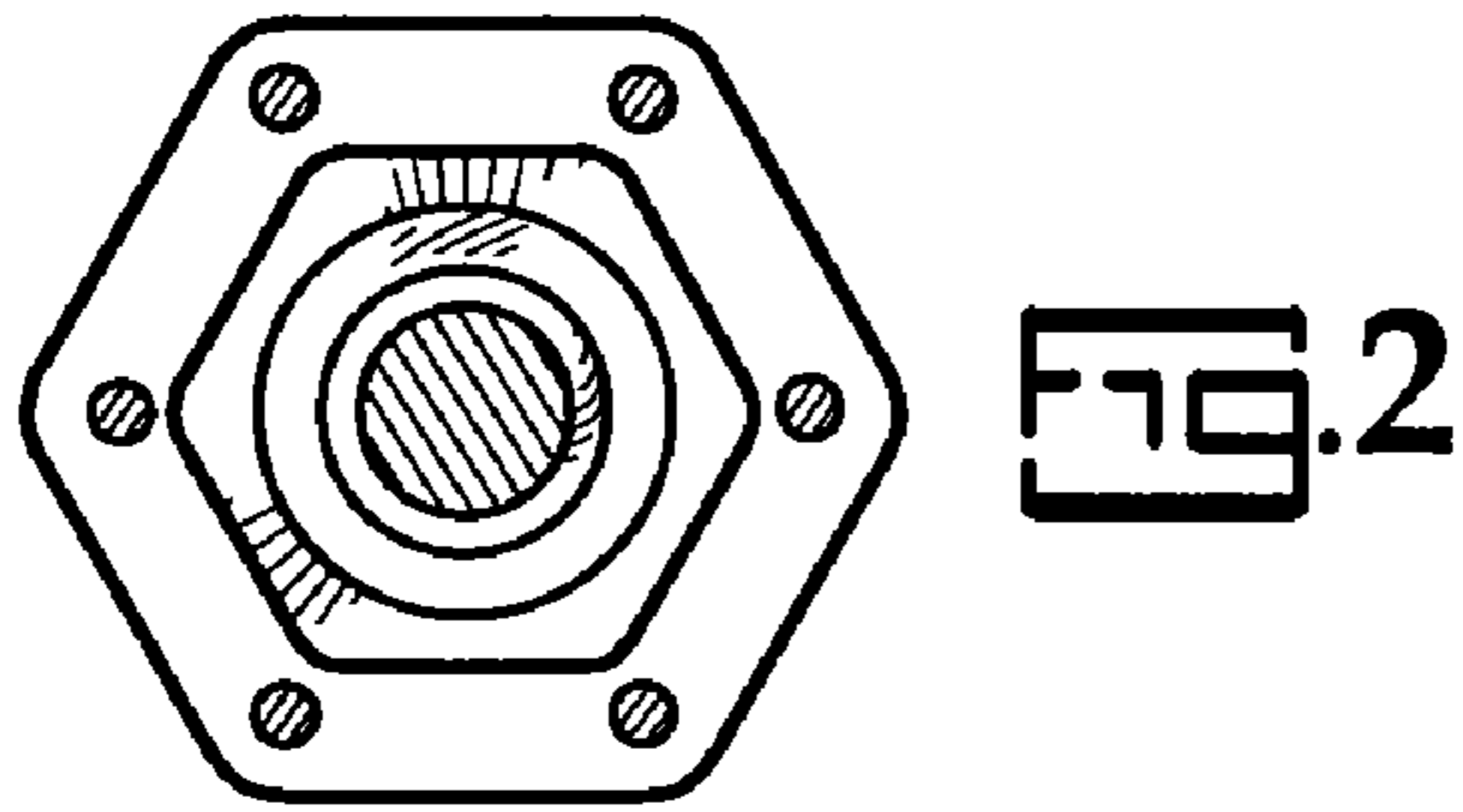


FIG. 3

FIG. 4

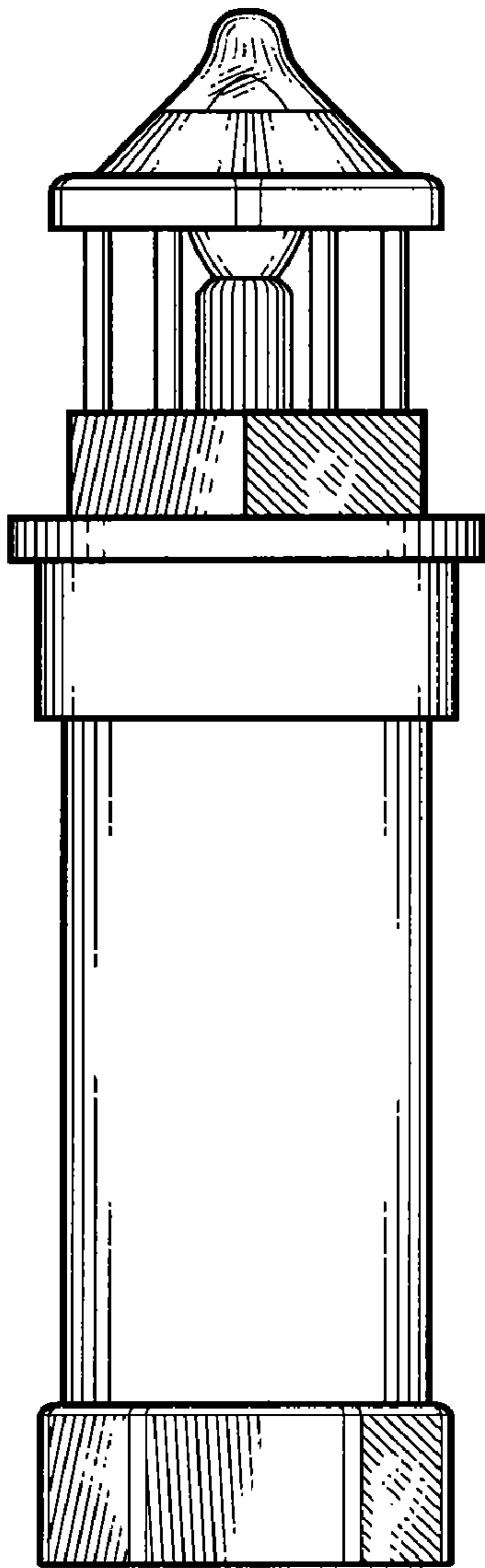


FIG. 5

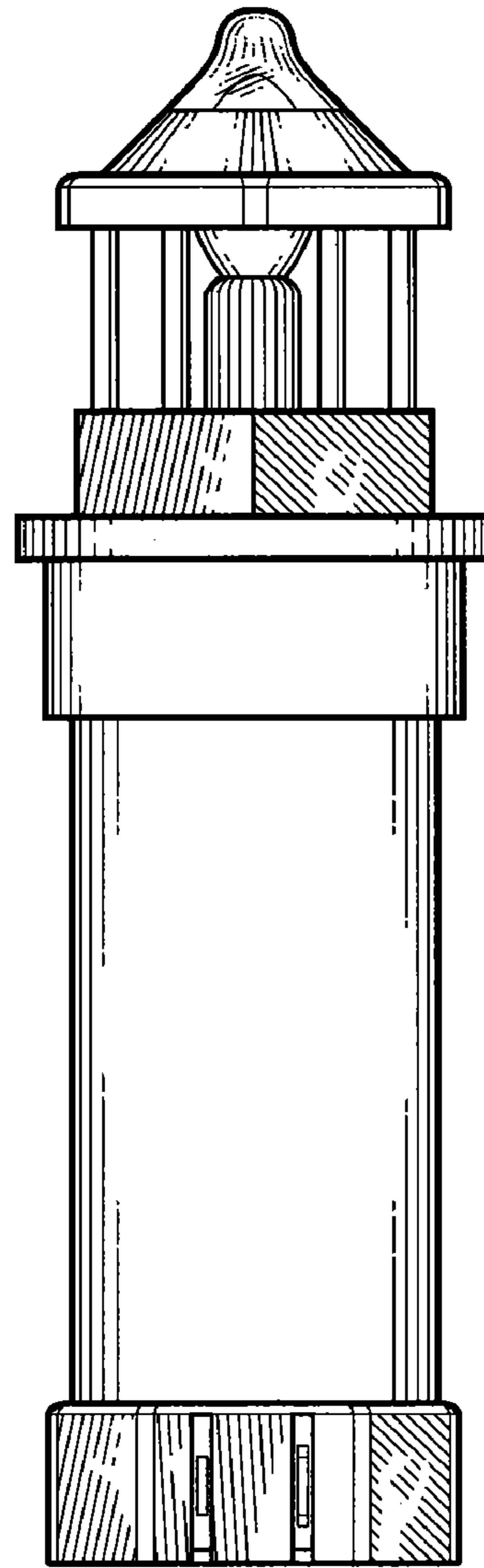


FIG. 6

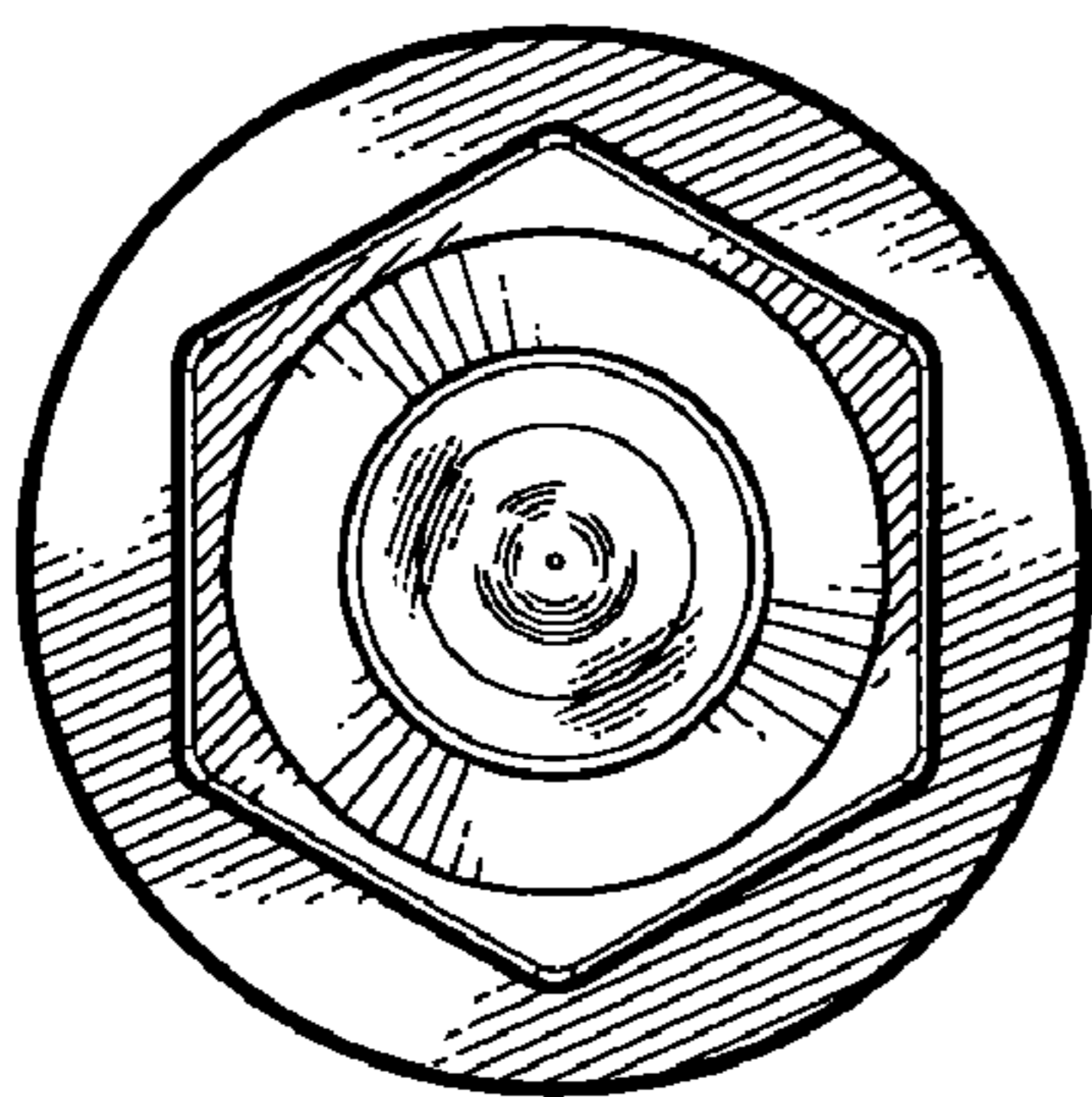


FIG. 7

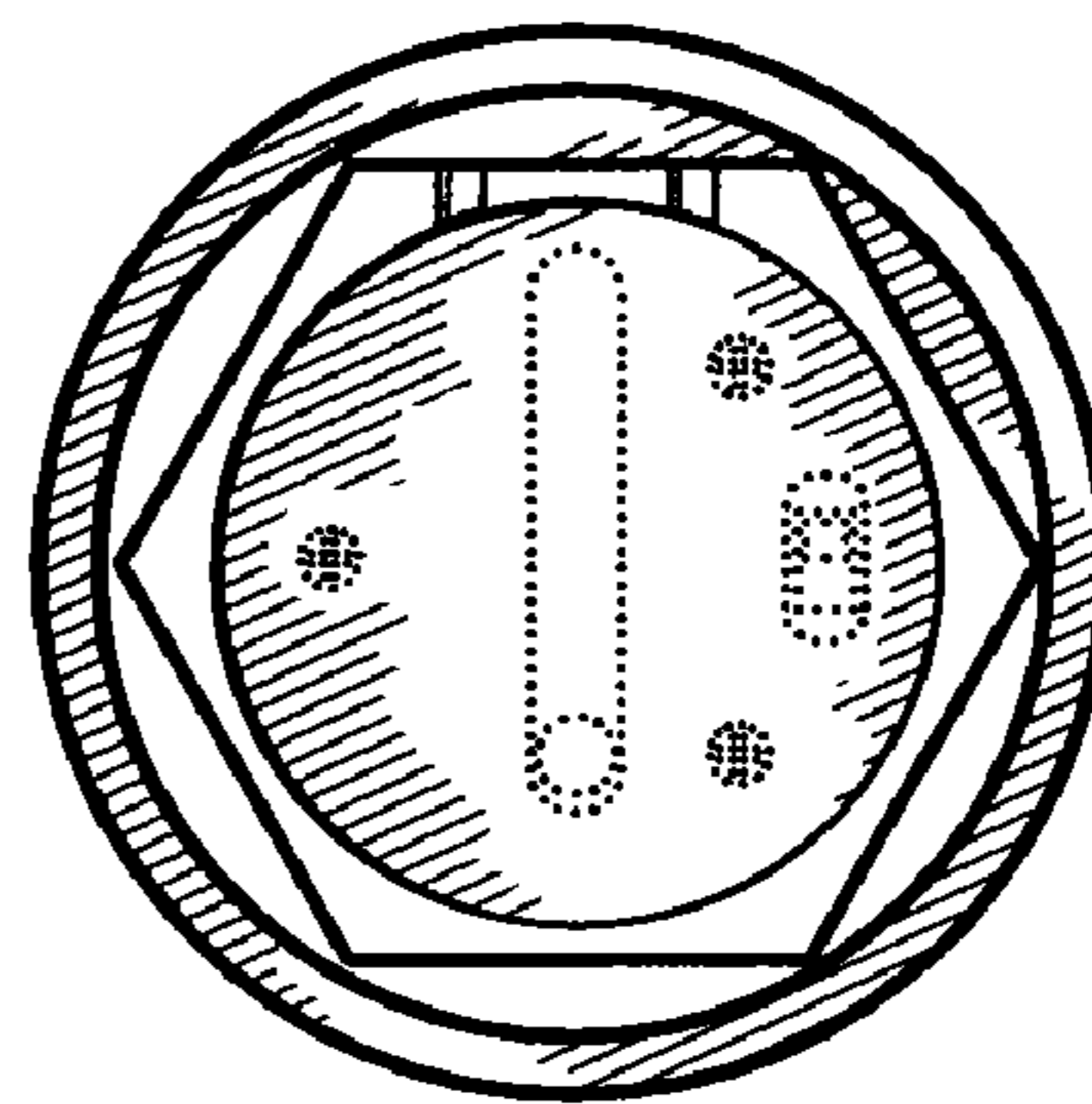


FIG. 8