



US00D610280S

(12) **United States Design Patent**
Hua

(10) **Patent No.:** **US D610,280 S**
(45) **Date of Patent:** **** Feb. 16, 2010**

(54) **LIGHTING FIXTURE**

(75) Inventor: **Di Hua**, London (GB)

(73) Assignee: **RD Europe Limited**, London (GB)

(**) Term: **14 Years**

(21) Appl. No.: **29/307,628**

(22) Filed: **May 1, 2008**

(51) **LOC (9) Cl.** **26-05**

(52) **U.S. Cl.** **D26/24; D26/74**

(58) **Field of Classification Search** D26/24,
D26/26, 37, 38, 39, 40, 44, 47, 49, 51, 52,
D26/57, 60, 61, 63, 67, 72, 73, 88, 95, 113,
D26/118, 125, 156, 85, 89, 74; D13/107,
D13/108; D14/432, 435.1, 255, 356; D23/366,
D23/367, 369; 362/217.02, 640, 641, 642,
362/643, 644, 652, 653, 657, 658, 659, 477,
362/88, 89, 98, 103, 104, 105, 109, 157,
362/171, 183, 190, 191, 194, 195, 249.1,
362/249.11, 311.01, 311.04, 311.05, 806,
362/147, 404

See application file for complete search history.

(56) **References Cited**

U.S. PATENT DOCUMENTS

D315,417 S * 3/1991 Ziaylek et al. D26/28
D384,430 S * 9/1997 Lecluze D26/24
D442,323 S * 5/2001 McBride D26/113
D480,498 S * 10/2003 McBride D26/113
6,655,813 B1 * 12/2003 Ng 362/148
D488,252 S * 4/2004 Benghozi D26/118
D548,389 S * 8/2007 Lecluze D26/138
D548,390 S * 8/2007 Lecluze D26/138

D548,391 S * 8/2007 Lecluze D26/138
D573,294 S * 7/2008 Chan et al. D26/74
D574,541 S * 8/2008 Matsumoto et al. D26/74
2008/0112168 A1 * 5/2008 Pickard et al. 362/247
2008/0151561 A1 * 6/2008 Hua 362/376

FOREIGN PATENT DOCUMENTS

GB 2 422 191 B 1/2007

OTHER PUBLICATIONS

“Instructions for PC94001.” JCC Lighting, Great Britain.

* cited by examiner

Primary Examiner—Jennifer Rivard

Assistant Examiner—Angela J Lee

(74) *Attorney, Agent, or Firm*—Amster Rothstein & Ebenstein LLP

(57) **CLAIM**

The ornamental design for a lighting fixture, as shown and described.

DESCRIPTION

FIG. 1 is a front view of a lighting fixture showing my new design

FIG. 2 is a side view of one side of the lighting fixture;

FIG. 3 is a plan view showing the lighting fixture from the top;

FIG. 4 is a plan view showing the lighting fixture from the bottom; and,

FIG. 5 is an isometric view, from the bottom and one side, of the lighting fixture.

The broken lines represent portions of the lighting fixture that form no part of the claimed design.

1 Claim, 3 Drawing Sheets

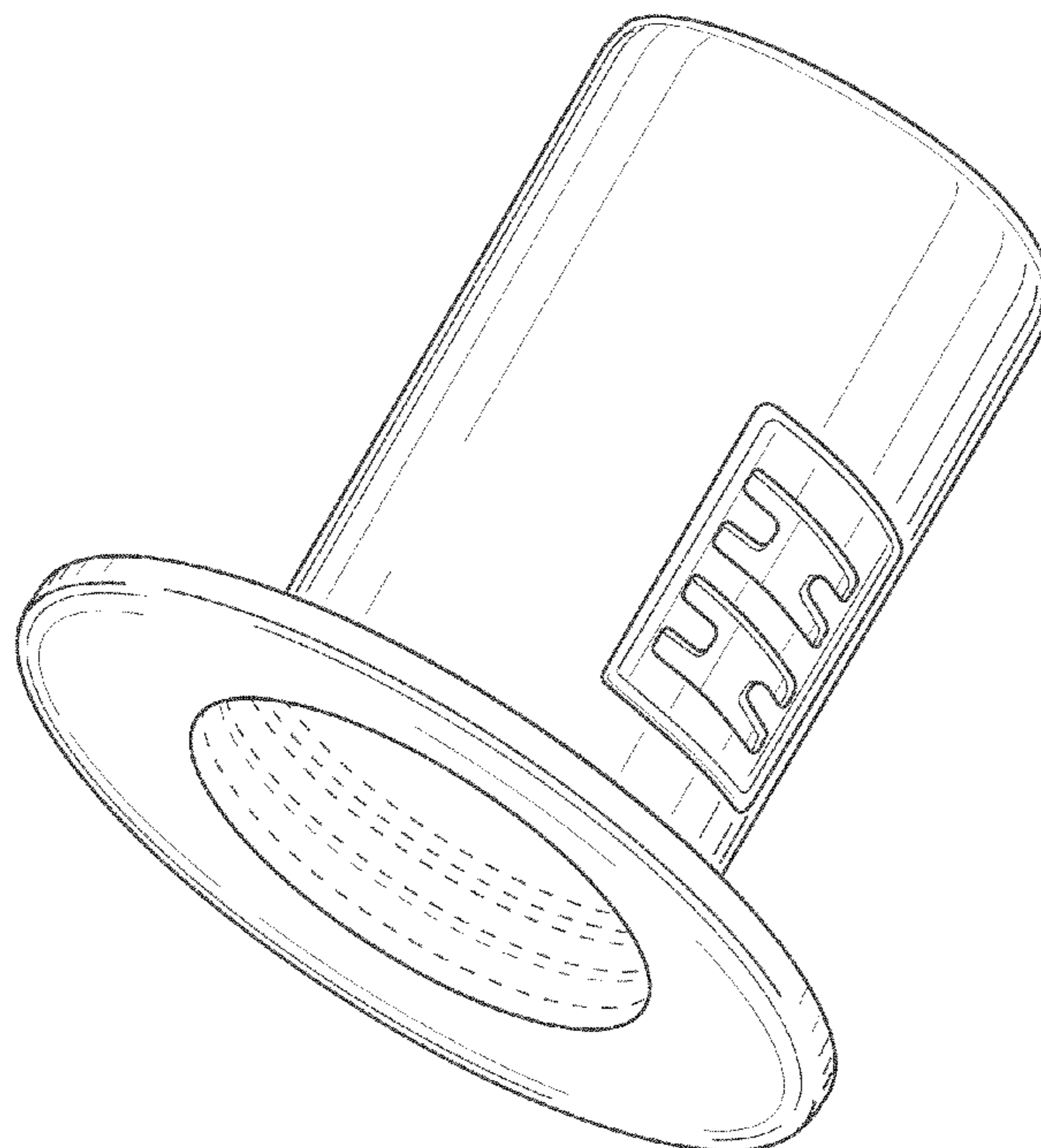


FIG. 1

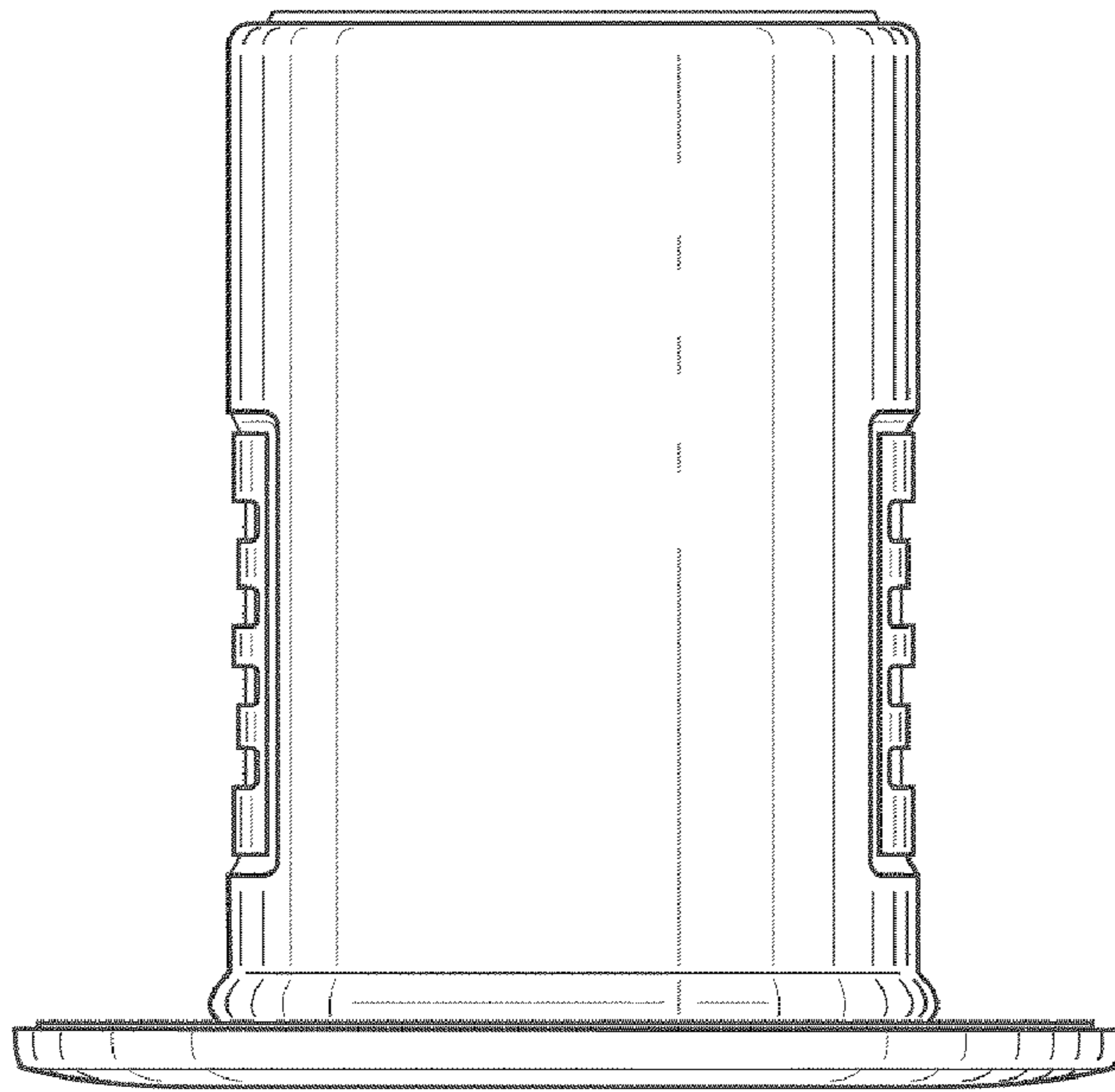


FIG. 2

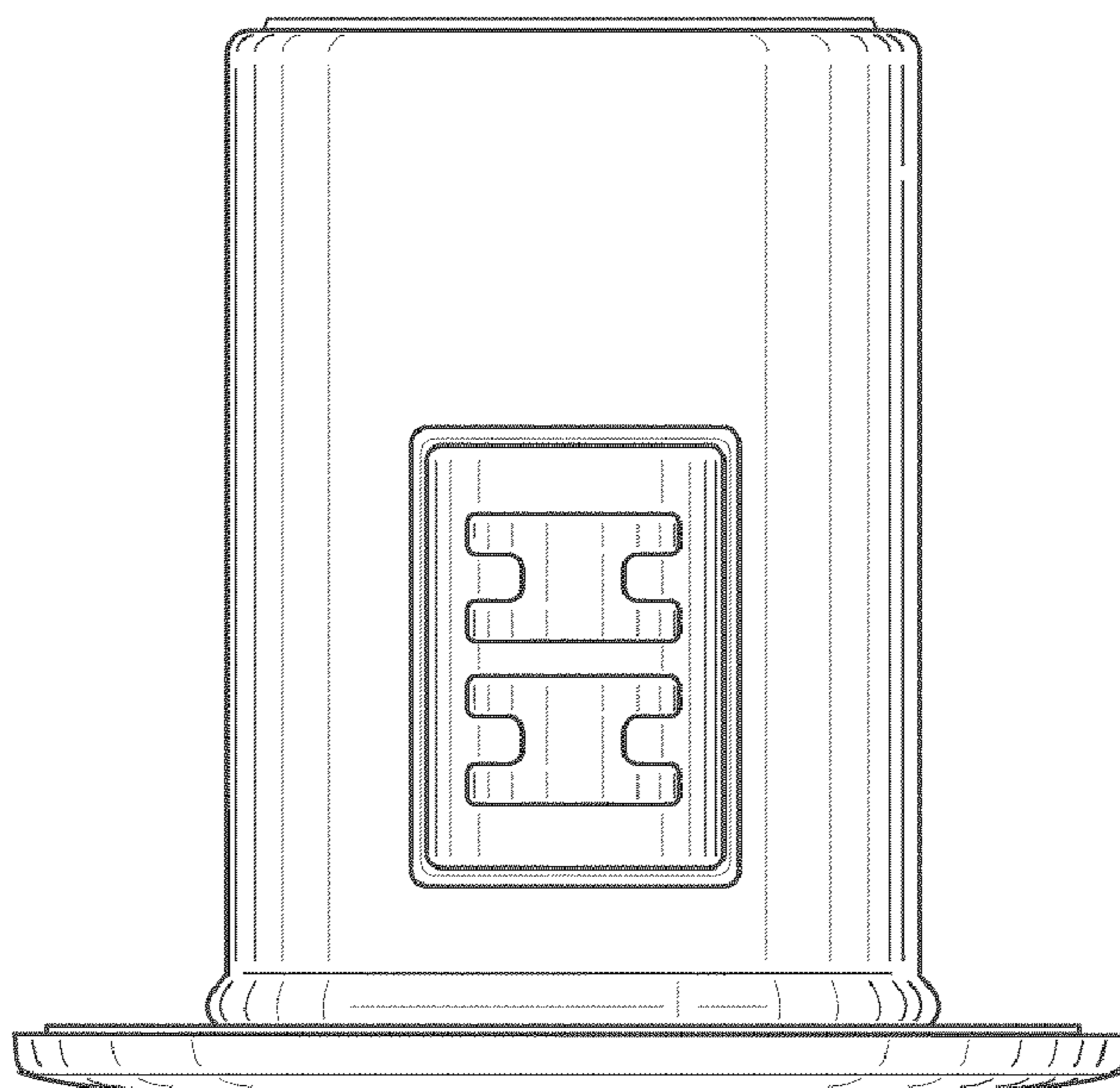


FIG. 3

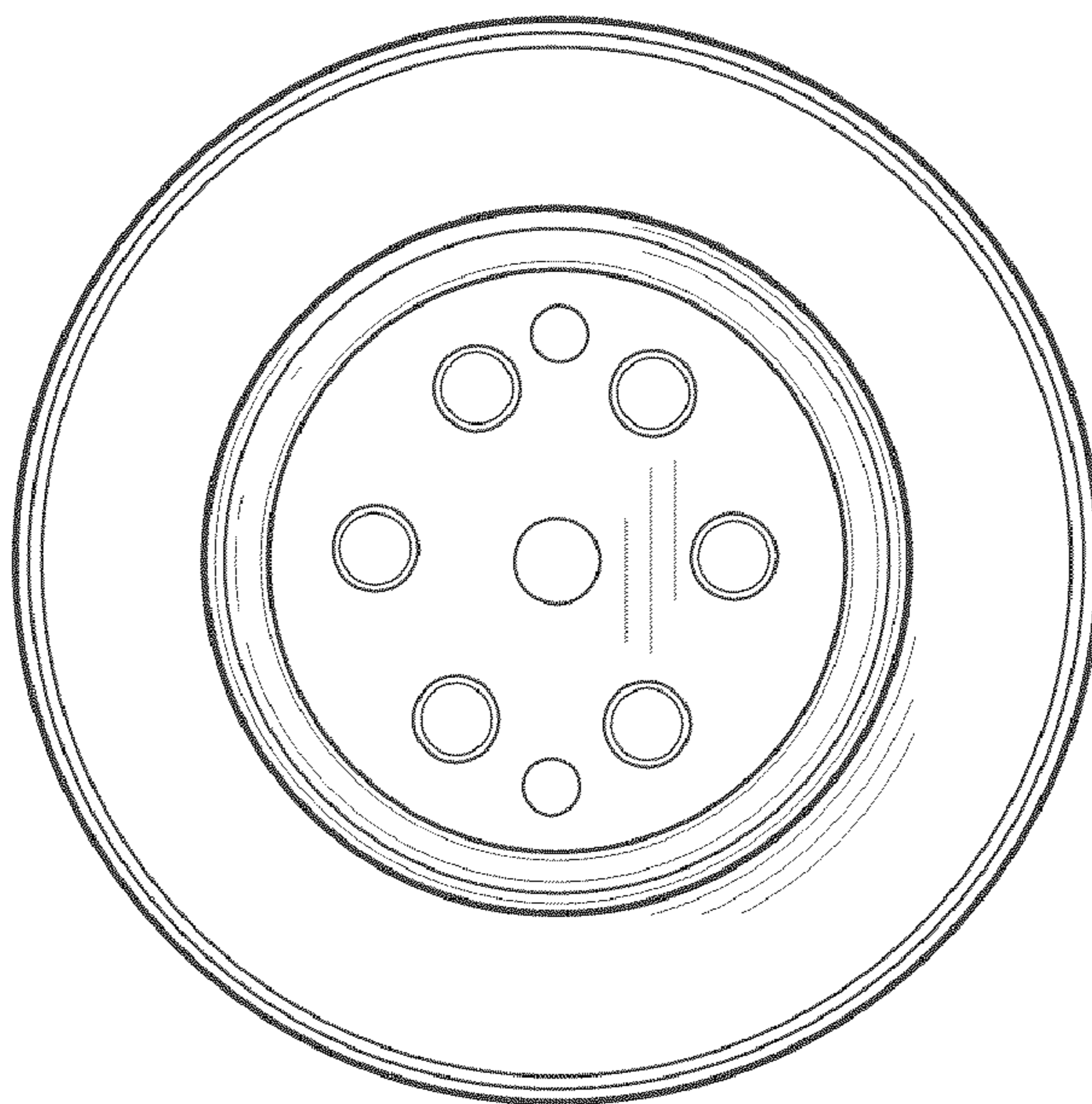


FIG. 4

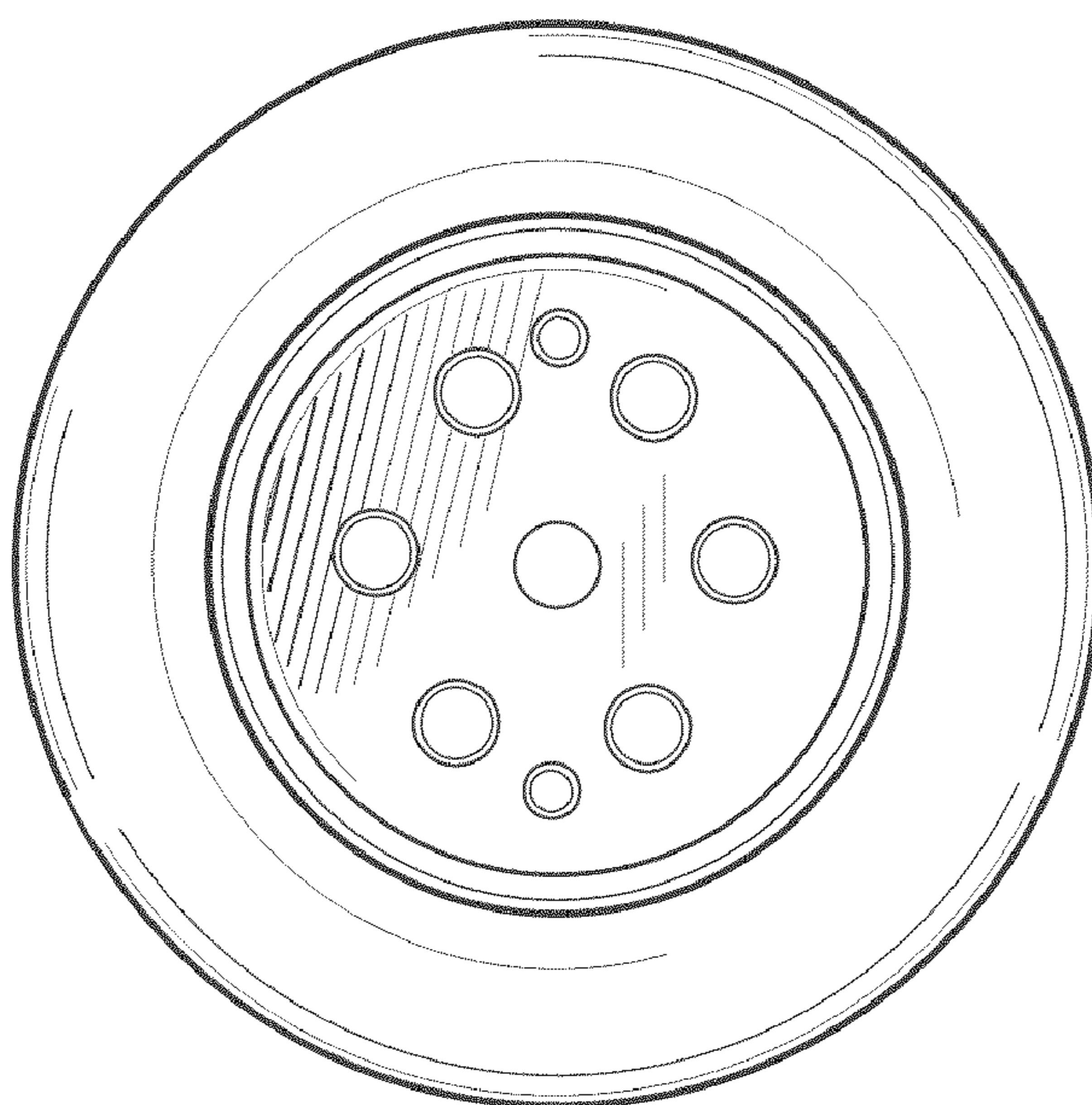


FIG. 5

