



US00D610279S

(12) **United States Design Patent**  
**Bolanos**

(10) **Patent No.:** **US D610,279 S**  
(45) **Date of Patent:** **\*\* Feb. 16, 2010**

(54) **DECORATIVE OIL LAMP WITH CANDLE SUPPORT TEMPLATE**

(76) Inventor: **Henry Bolanos**, 34 D Glenwood Ave., Norwalk, CT (US) 06854

(\*\*) Term: **14 Years**

(21) Appl. No.: **29/339,715**

(22) Filed: **Jul. 6, 2009**

5,086,380	A *	2/1992	Hedner, Jr. ....	362/161
5,425,633	A	6/1995	Cole	
5,582,478	A	12/1996	Ambrosino	
6,186,646	B1	2/2001	Wiedemer, Jr.	
6,206,540	B1	3/2001	Vogel	
6,347,879	B1 *	2/2002	Prado .....	362/159
6,428,311	B1	8/2002	Bernardo	
6,579,090	B1	6/2003	Taubitz et al.	

**Related U.S. Application Data**

(63) Continuation of application No. 11/482,318, filed on Jul. 7, 2006, now abandoned.

(51) **LOC (9) Cl.** ..... **26-01**

(52) **U.S. Cl.** ..... **D26/13**

(58) **Field of Classification Search** ..... D26/5, D26/6, 7, 9, 10, 11, 12, 13, 14, 15, 16, 17, D26/18, 19, 20, 21, 22, 23, 114-137; D11/117, D11/121, 125, 131; 428/7-9, 11; 431/291, 431/311, 320, 298; 362/161-163, 351  
See application file for complete search history.

(56) **References Cited**

**U.S. PATENT DOCUMENTS**

397,011	A	1/1889	Leynen-Hougaerts	
1,707,539	A	4/1929	Propp	
2,545,171	A *	3/1951	Schroeder .....	269/59
3,183,688	A	5/1965	Sobelson	
3,434,789	A	3/1969	Haller	
3,684,882	A	8/1972	Mininno et al.	
3,790,332	A	2/1974	Woollard	
4,013,397	A	3/1977	Neugart	
4,019,856	A	4/1977	Lacroix	
4,102,634	A	7/1978	Crisp	
4,110,066	A	8/1978	Murphy	
4,234,303	A	11/1980	Neugart	
4,261,695	A	4/1981	Reninger	
4,384,847	A	5/1983	Schirneker	
4,524,408	A	6/1985	Minera	
4,529,376	A	7/1985	Cafolla	
4,835,663	A	5/1989	Abbott et al.	
4,894,008	A	1/1990	Lee	

(Continued)

*Primary Examiner*—T. Chase Nelson

*Assistant Examiner*—Ania K Dworzecka

(74) *Attorney, Agent, or Firm*—Scott D. Wofsy; Michael J. Pollack; Edwards Angell Palmer & Dodge LLP

(57) **CLAIM**

The ornamental design for a decorative oil lamp with candle support template, as shown and described.

**DESCRIPTION**

FIG. 1 is a top perspective view of a decorative oil lamp with candle support template showing my new design;

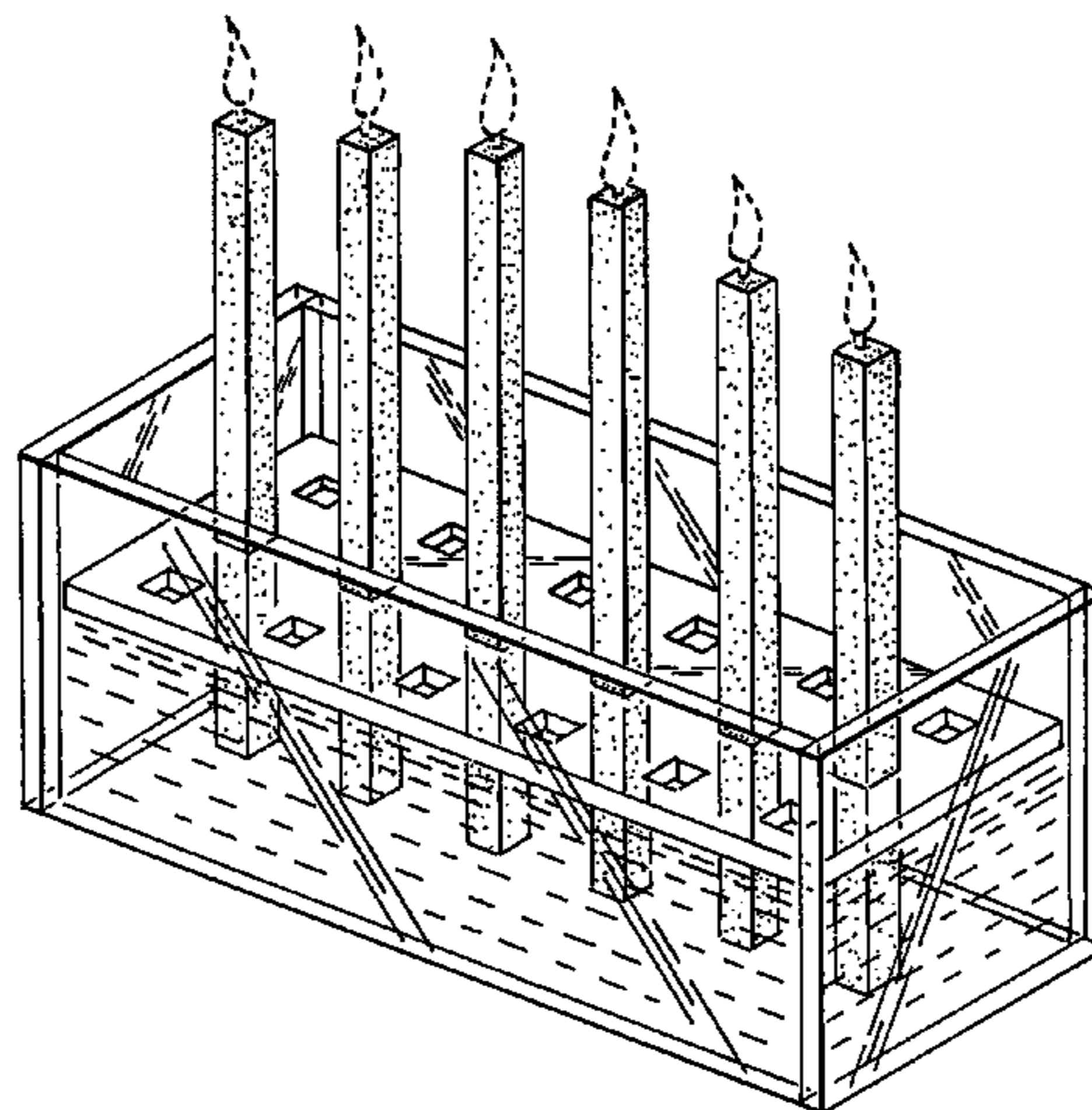
FIG. 2 is a side elevation view, the opposite side view being a mirror image thereof;

FIG. 3 is a top plan view; and,

FIG. 4 is a front elevation view, the opposite side view being a mirror image thereof.

The broken lines shown in the views, illustrating candle wicks and flames, form no part of the claimed design. The combustible liquid, held within the container, is illustrated in each figure by a plurality of parallel broken lines, which do not form a part of the claimed design.

**1 Claim, 3 Drawing Sheets**



# US D610,279 S

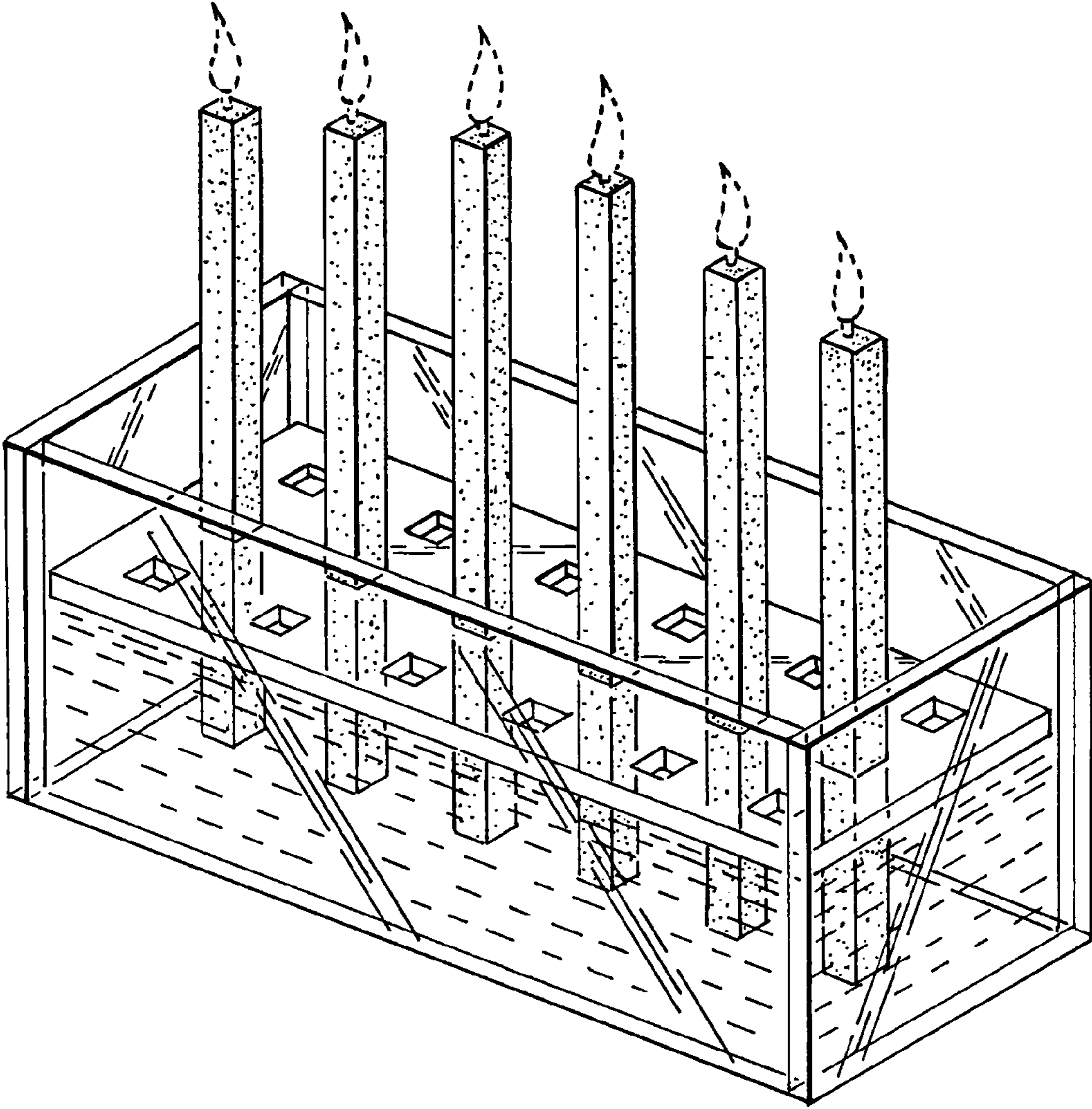
Page 2

---

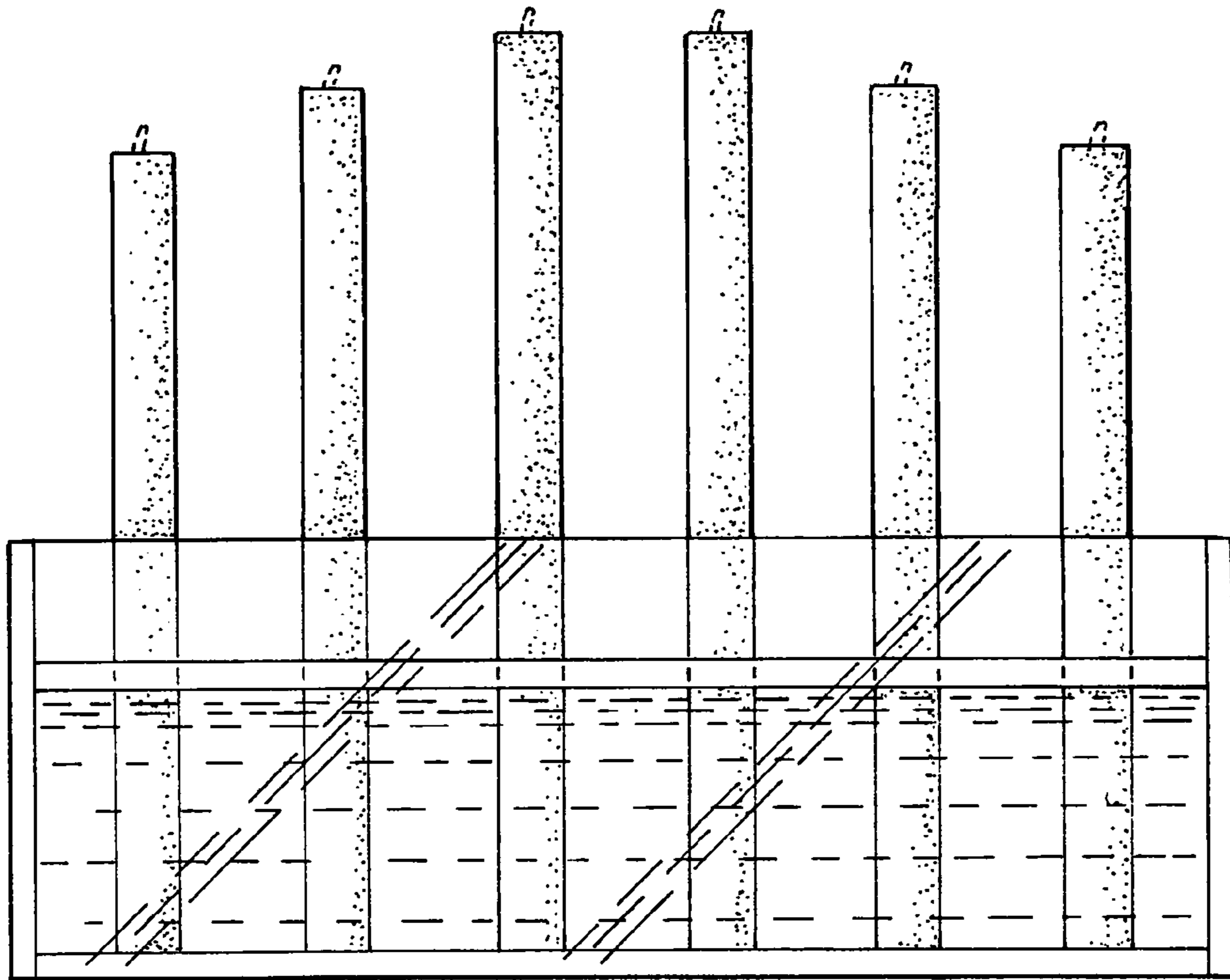
## U.S. PATENT DOCUMENTS

6,758,575 B2 *	7/2004	Winkler .....	362/171	7,318,724 B2	1/2008	Kubicek et al.
7,214,054 B2	5/2007	Boulachanis		2004/0085760 A1	5/2004	Brizzie

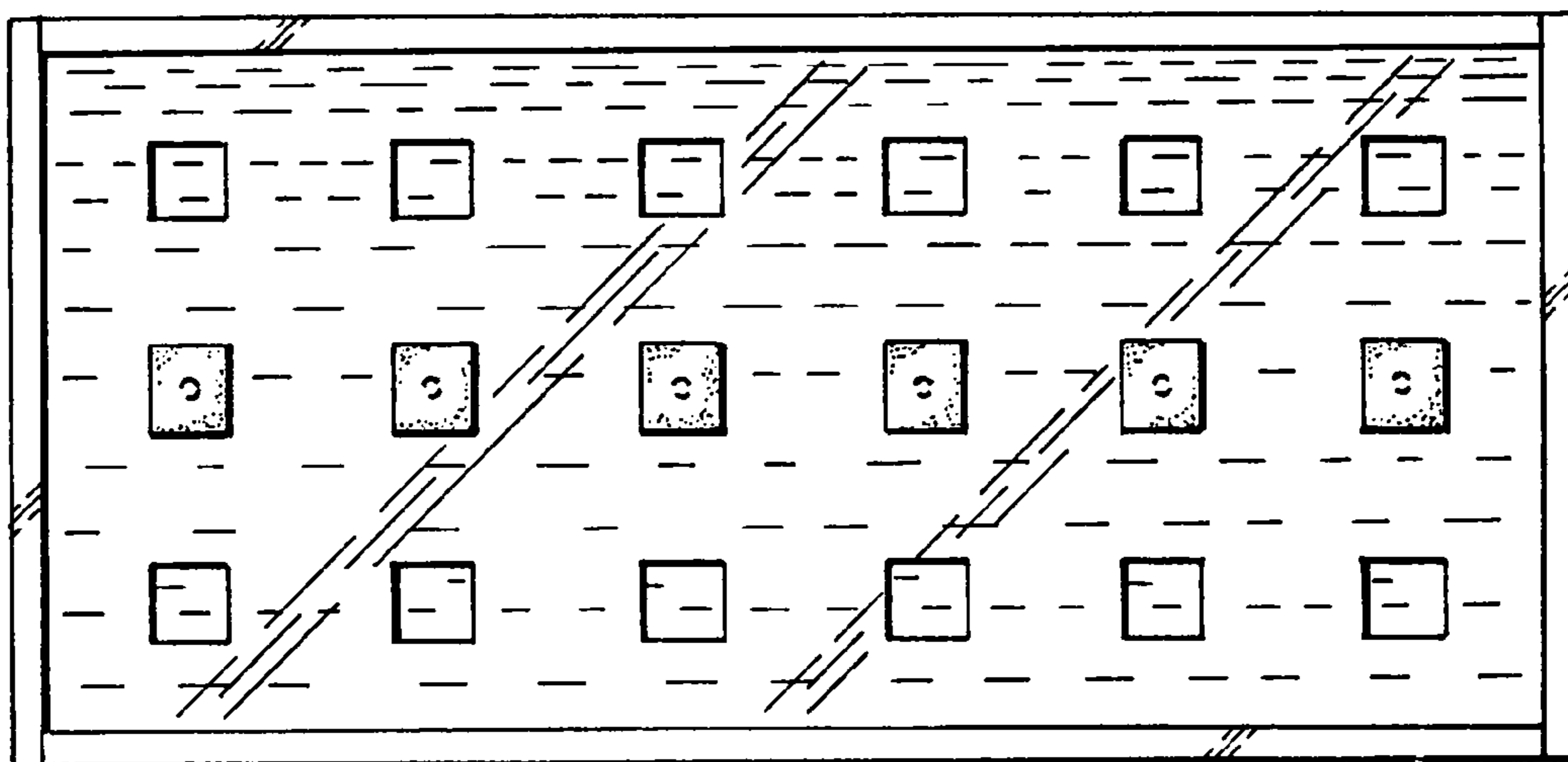
\* cited by examiner



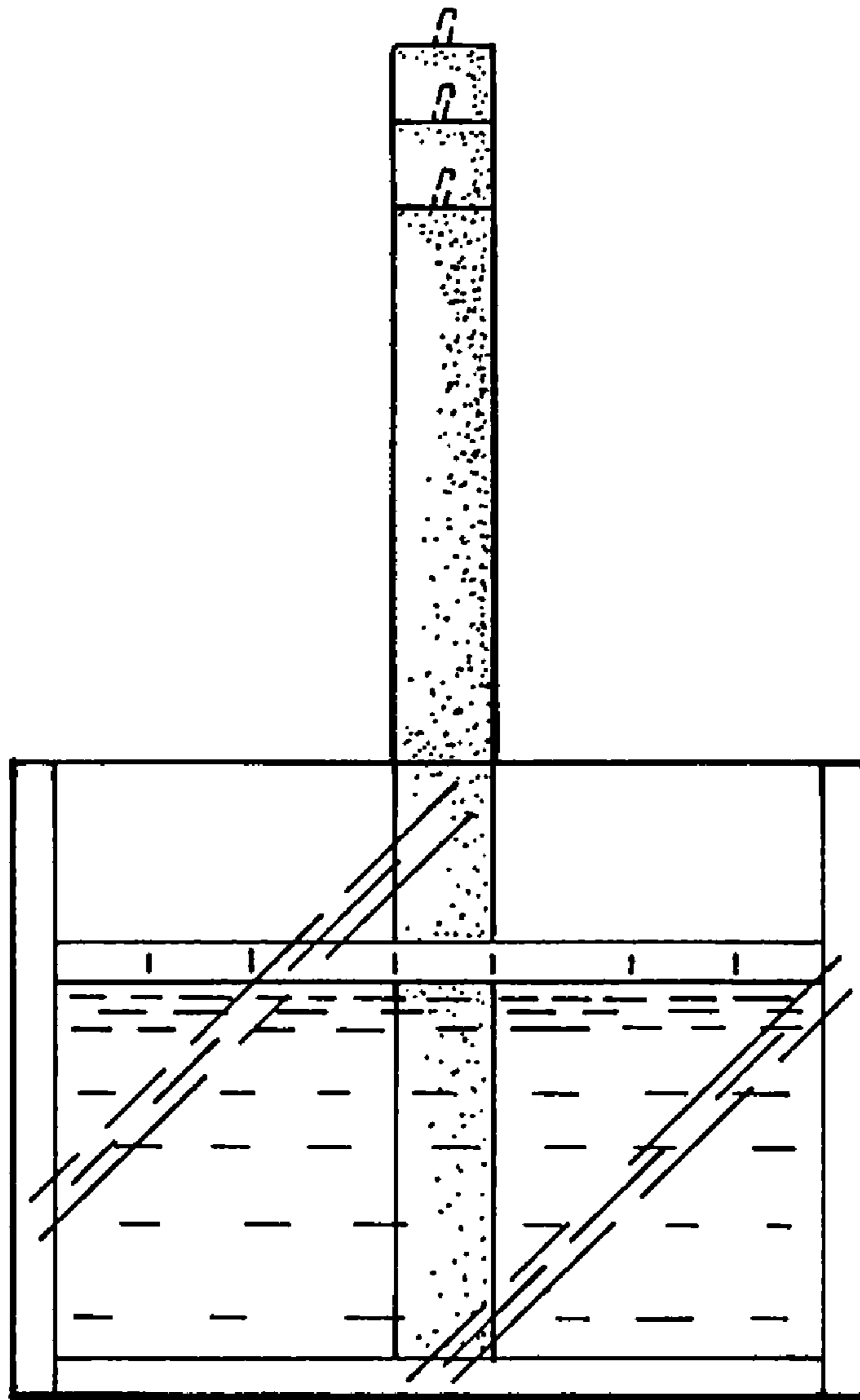
**Fig. 1**



**Fig. 2**



**Fig. 3**



***Fig. 4***