



US00D610277S

(12) **United States Design Patent**
Lee

(10) **Patent No.:** **US D610,277 S**
(45) **Date of Patent:** **** Feb. 16, 2010**

(54) **LED BULB**
(75) Inventor: **Choong Hae Lee**, Seoul (KR)
(73) Assignee: **Gwangsung Electric Industry Co., Ltd.**, Incheon (KR)
(**) Term: **14 Years**
(21) Appl. No.: **29/342,485**
(22) Filed: **Aug. 26, 2009**
(30) **Foreign Application Priority Data**
Jun. 9, 2009 (KR) 30-2009-0025426
(51) **LOC (9) Cl.** **26-04**
(52) **U.S. Cl.** **D26/2**
(58) **Field of Classification Search** D26/1-4;
313/313, 315, 316, 317, 318, 493; 315/52,
315/53, 56, 57, 58
See application file for complete search history.

D541,440 S * 4/2007 Feit D26/2
D553,267 S * 10/2007 Yuen D26/2
D584,838 S * 1/2009 To et al. D26/2
D590,523 S * 4/2009 Takahashi D26/2

* cited by examiner

Primary Examiner—Marcus A Jackson
(74) *Attorney, Agent, or Firm*—Rabin & Berdo, PC

(57) **CLAIM**

The ornamental design for a LED bulb, as shown and described.

DESCRIPTION

FIG. 1 is a perspective view of a LED bulb showing my new design;
FIG. 2 is a front plan view thereof;
FIG. 3 is a rear plan view thereof;
FIG. 4 is a left side plan view thereof;
FIG. 5 is a right side plan view thereof;
FIG. 6 is a top plan view thereof; and,
FIG. 7 is a bottom plan view thereof.

(56) **References Cited**

U.S. PATENT DOCUMENTS

D535,038 S * 1/2007 Egawa et al. D26/2

1 Claim, 6 Drawing Sheets

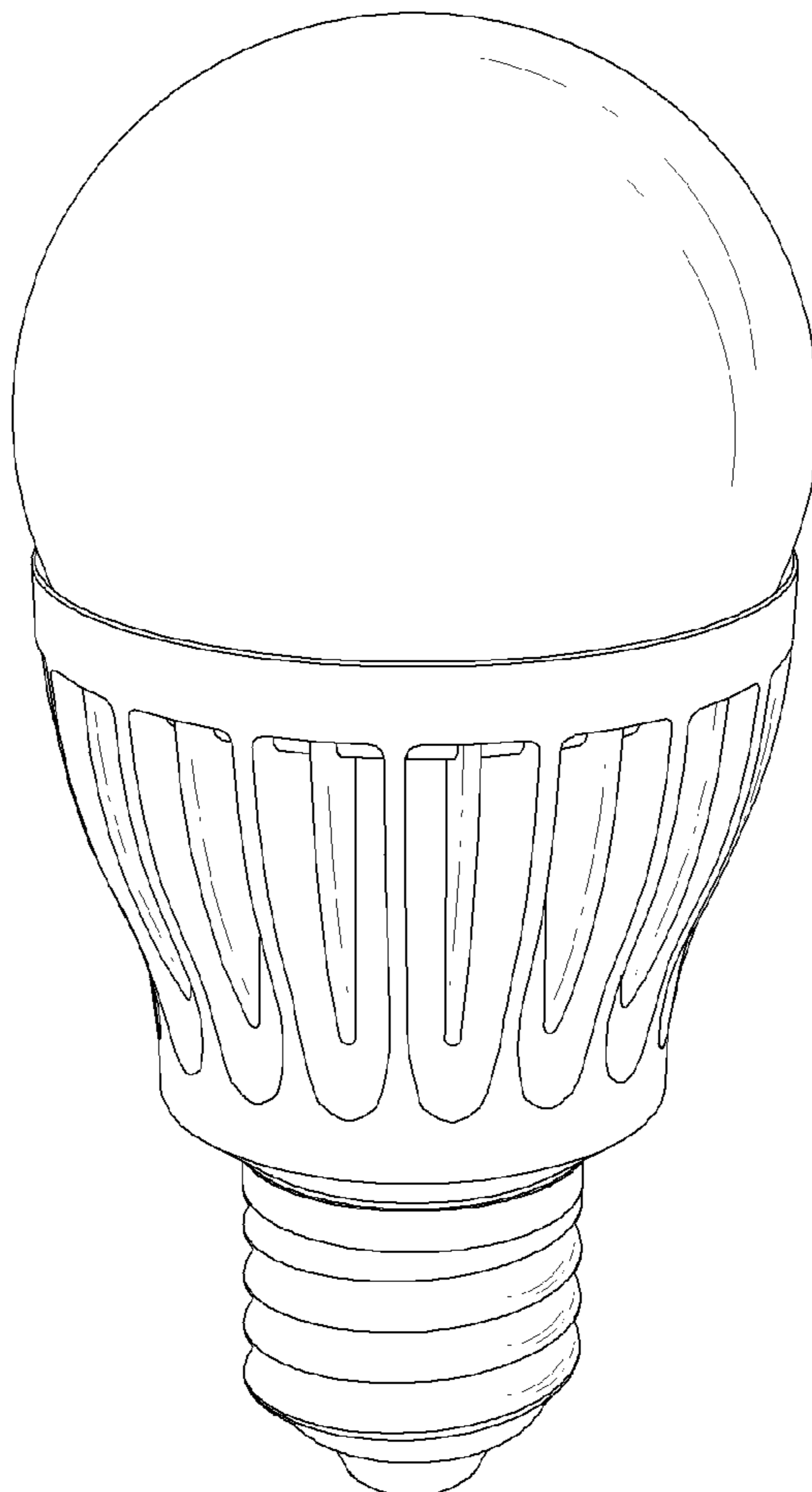


FIG. 1

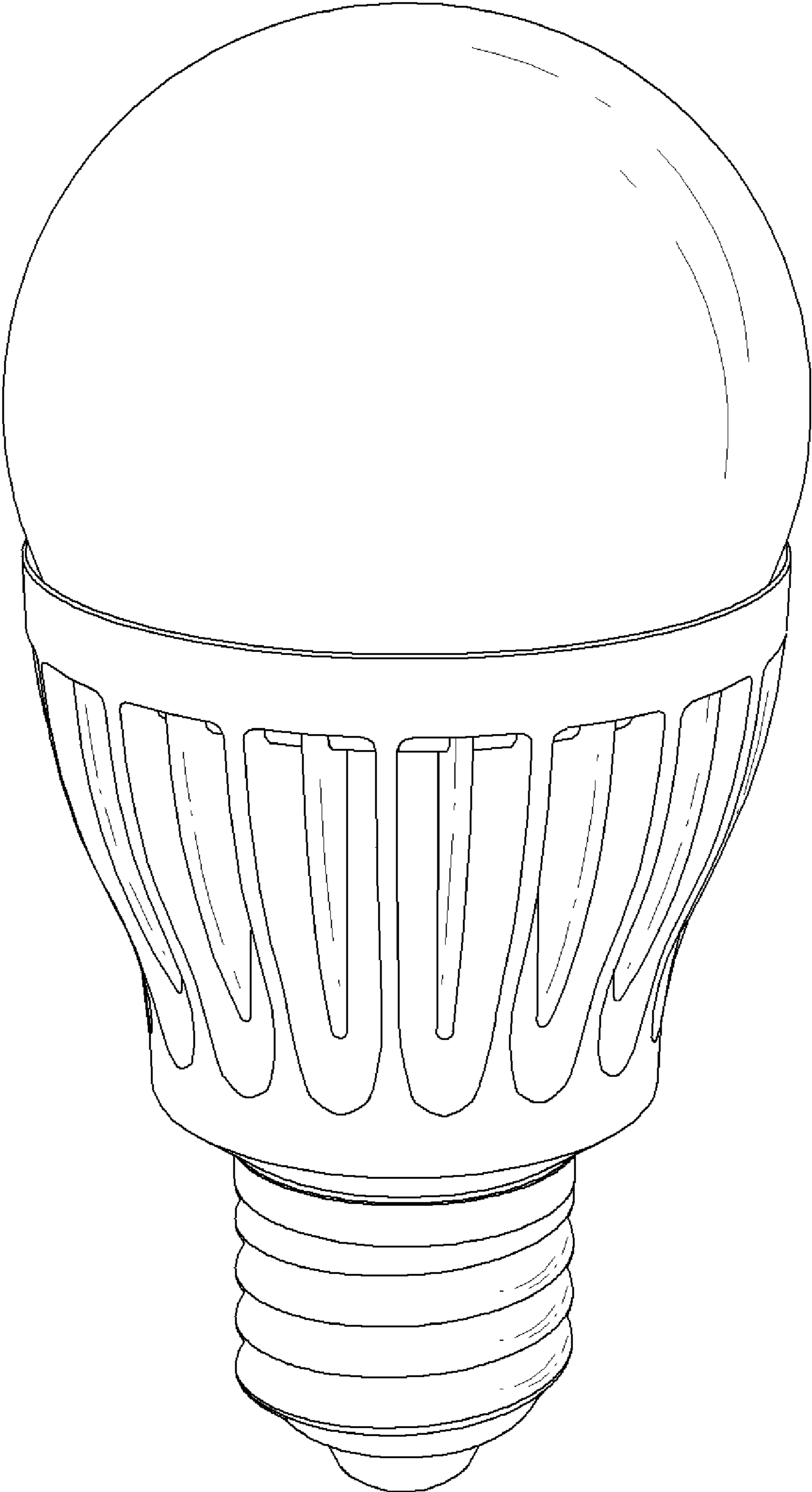


FIG. 2

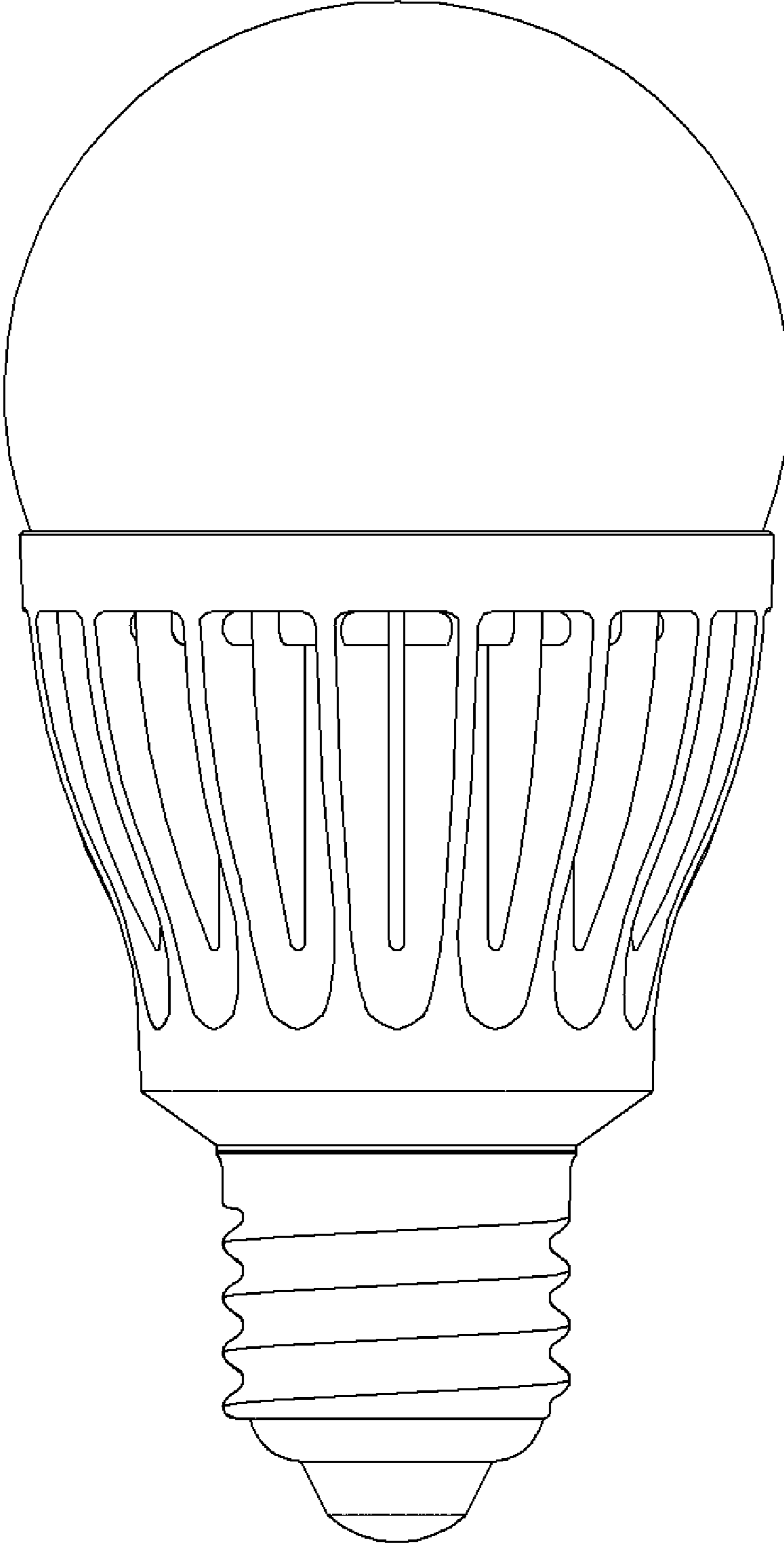


FIG. 3

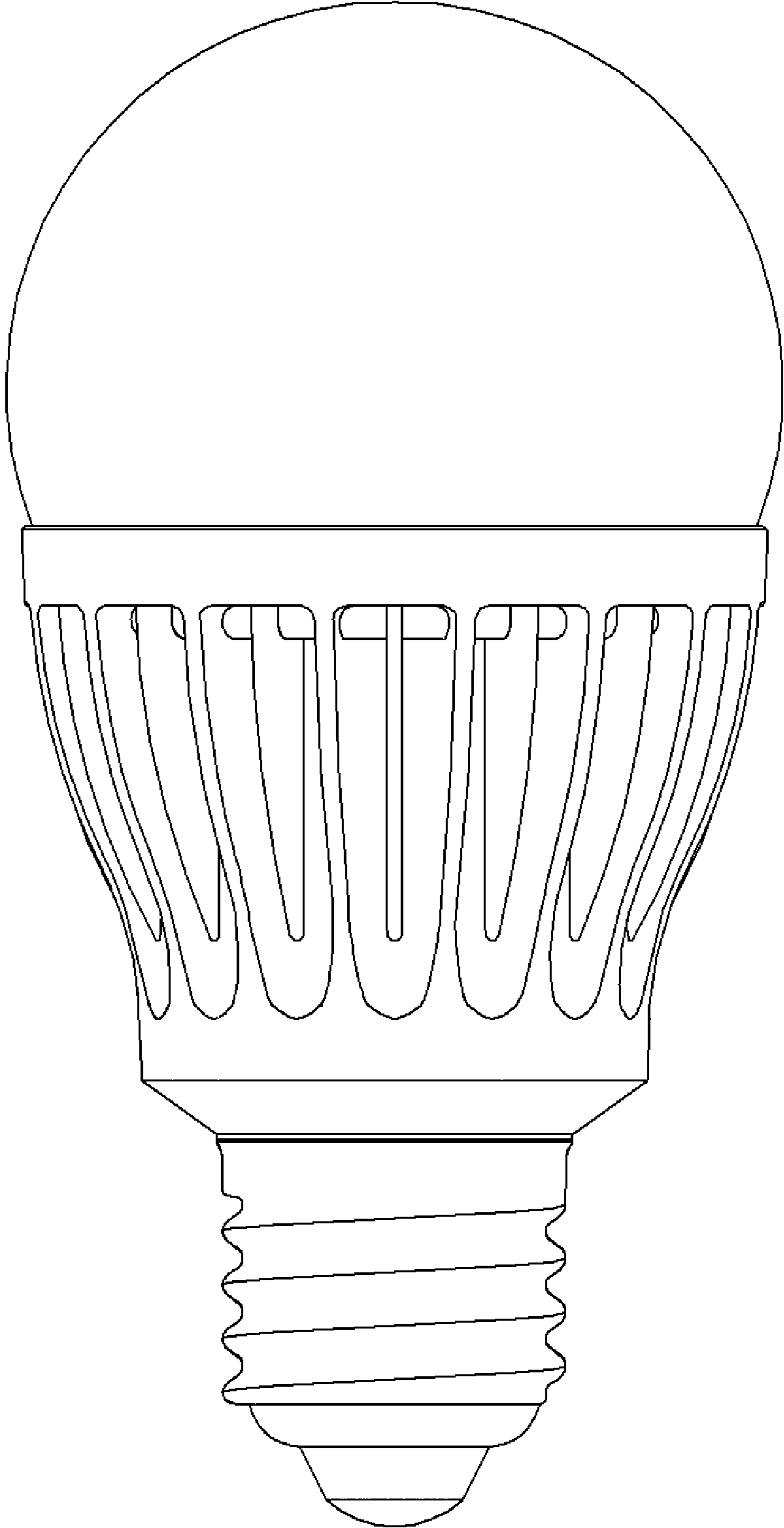


FIG. 4

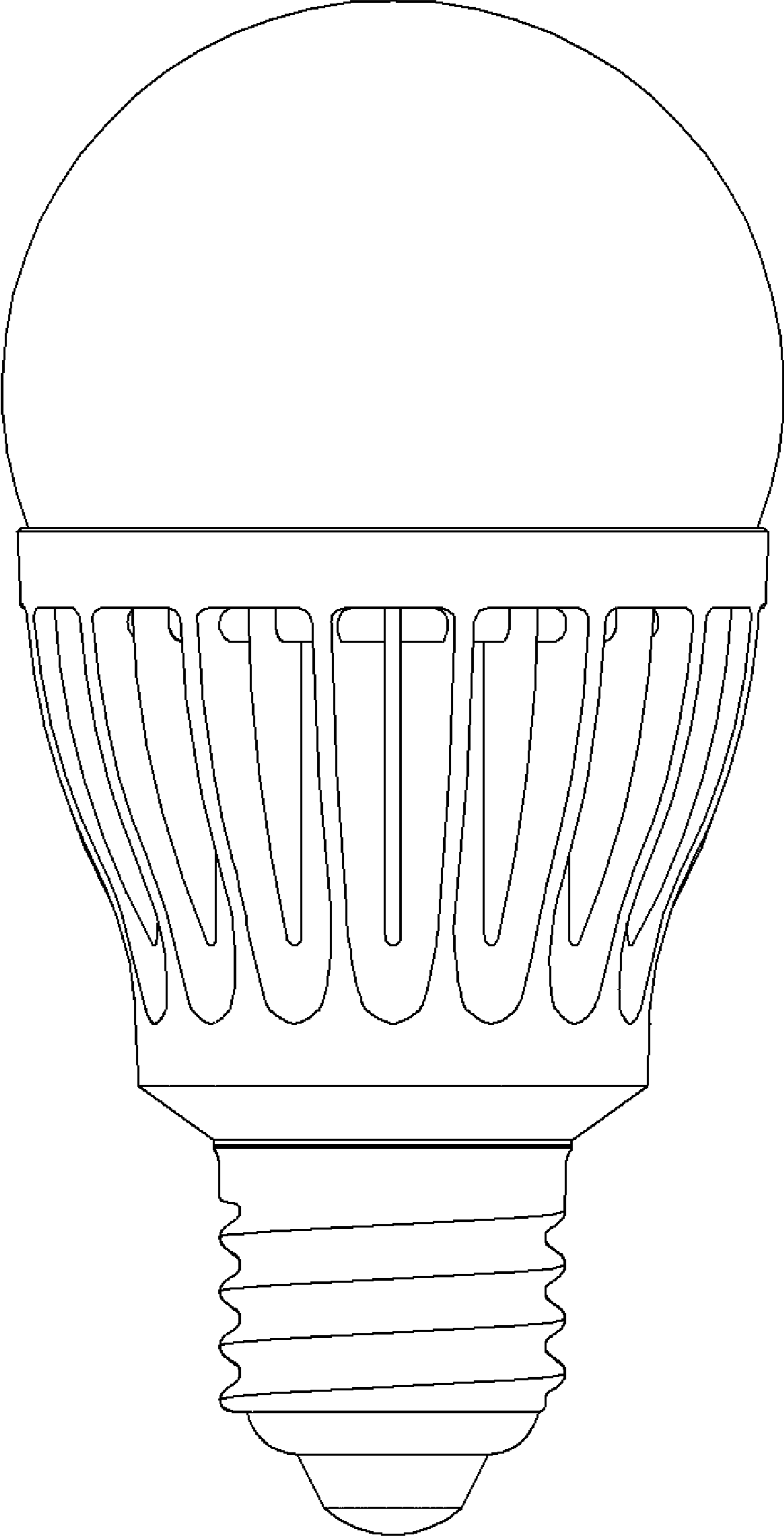


FIG. 5

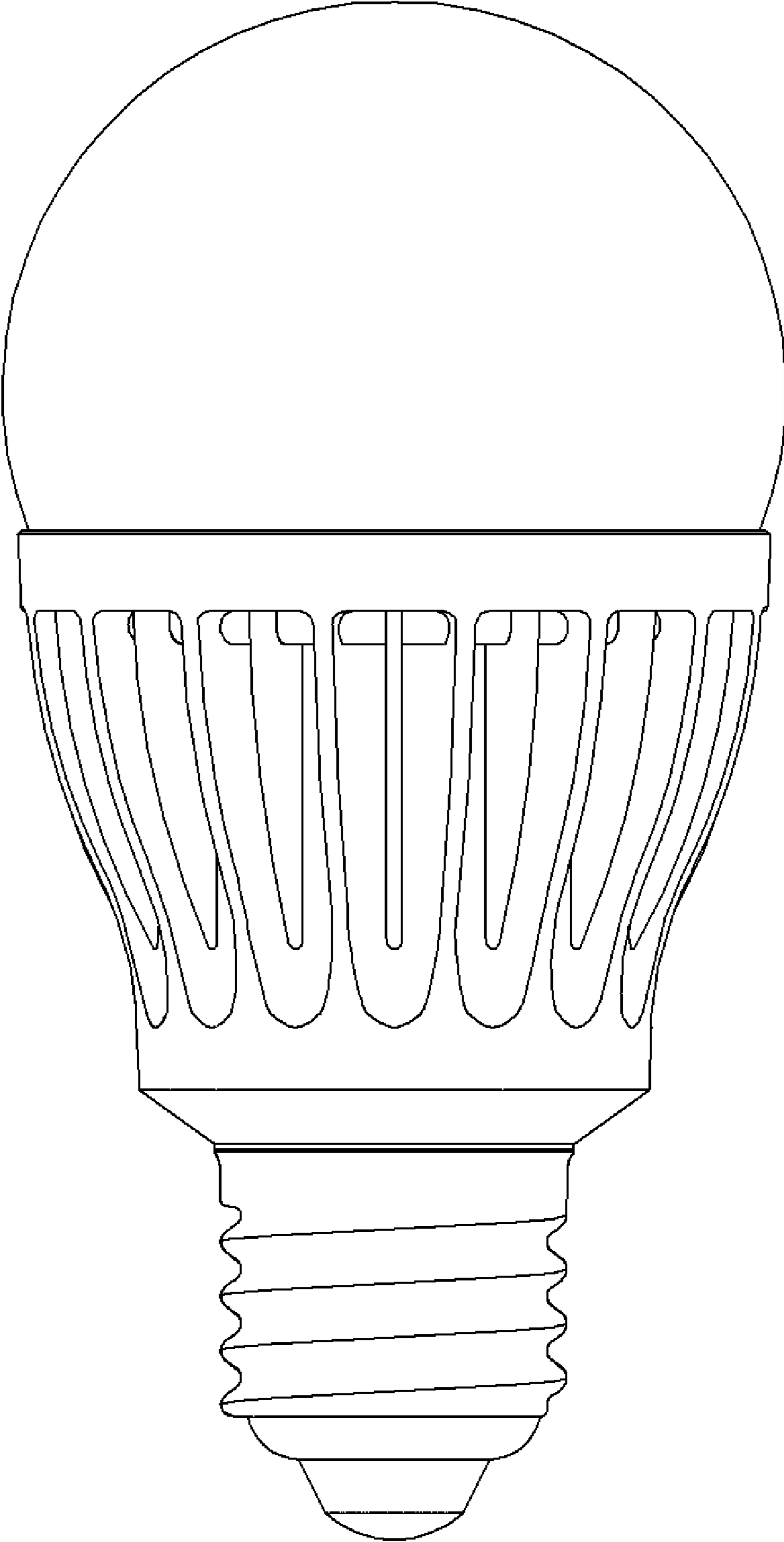


FIG. 6

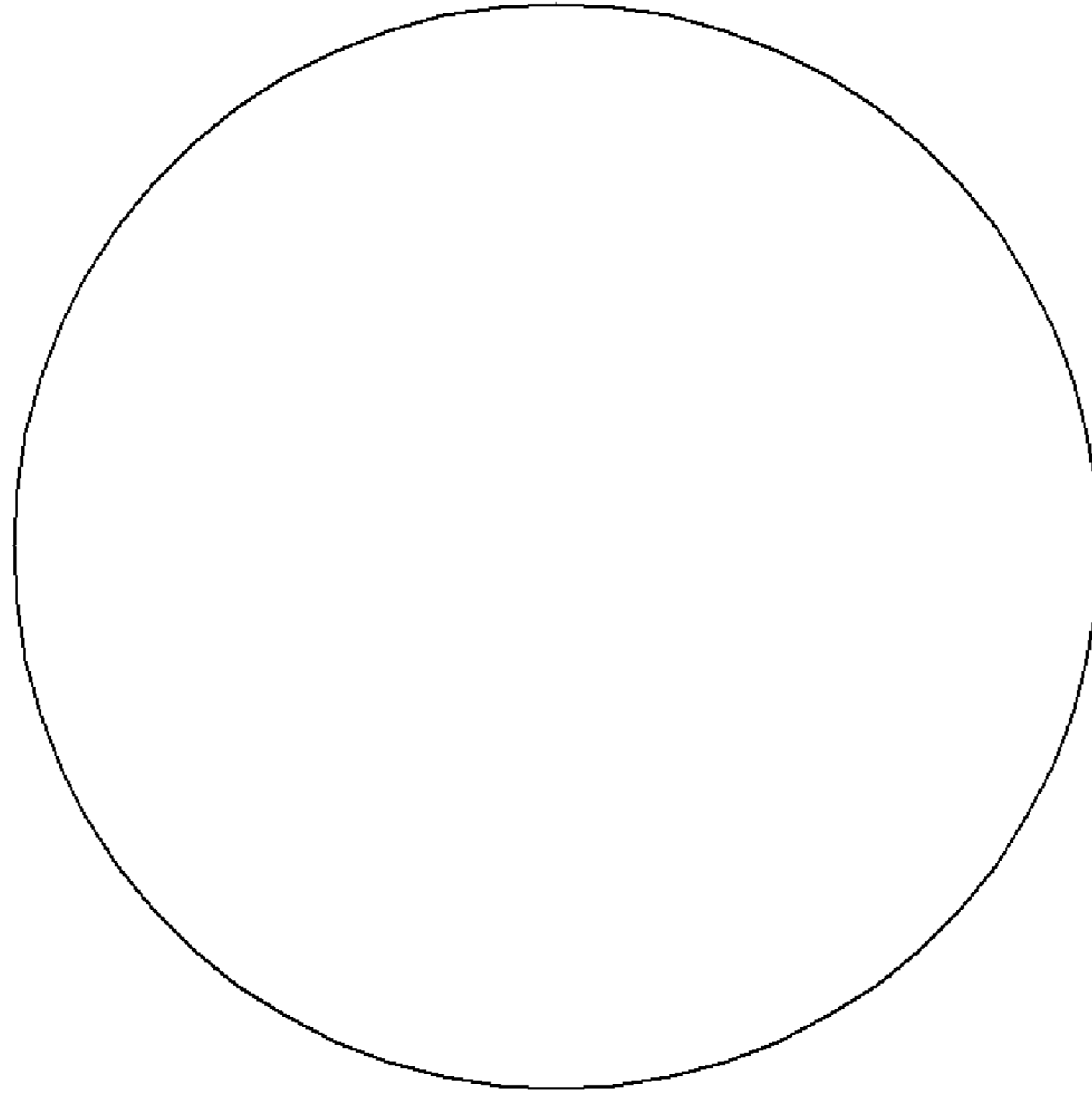


FIG. 7

