



US00D610276S

(12) **United States Design Patent**
Lee

(10) **Patent No.:** **US D610,276 S**
(45) **Date of Patent:** **** Feb. 16, 2010**

(54) **LED BULB**

D593,222 S * 5/2009 To et al. D26/2

(75) Inventor: **Choong Hae Lee**, Seoul (KR)

* cited by examiner

(73) Assignee: **Gwangsung Electric Industry, Ltd.**,
Incheon (KR)

Primary Examiner—Marcus A Jackson
(74) *Attorney, Agent, or Firm*—Rabin & Berdo, PC

(**) Term: **14 Years**

(57) **CLAIM**

(21) Appl. No.: **29/342,407**

The ornamental design for a LED bulb, as shown and described.

(22) Filed: **Aug. 24, 2009**

DESCRIPTION

(51) **LOC (9) Cl.** **26-04**

FIG. 1 is a perspective view of a LED lamp showing my new design;

(52) **U.S. Cl.** **D26/2**

FIG. 2 is a front plan view thereof;

(58) **Field of Classification Search** D26/1-4;
313/313, 315, 316, 317, 318, 493; 315/52,
315/53, 56, 57, 58

FIG. 3 is a rear plan view thereof;

FIG. 4 is a left side plan view thereof;

See application file for complete search history.

FIG. 5 is a right side plan view thereof;

FIG. 6 is a top plan view thereof; and,

FIG. 7 is a bottom plan view thereof.

(56) **References Cited**

U.S. PATENT DOCUMENTS

D571,489 S * 6/2008 Opolka D26/2

D572,385 S * 7/2008 Mazzochette et al. D26/2

1 Claim, 3 Drawing Sheets

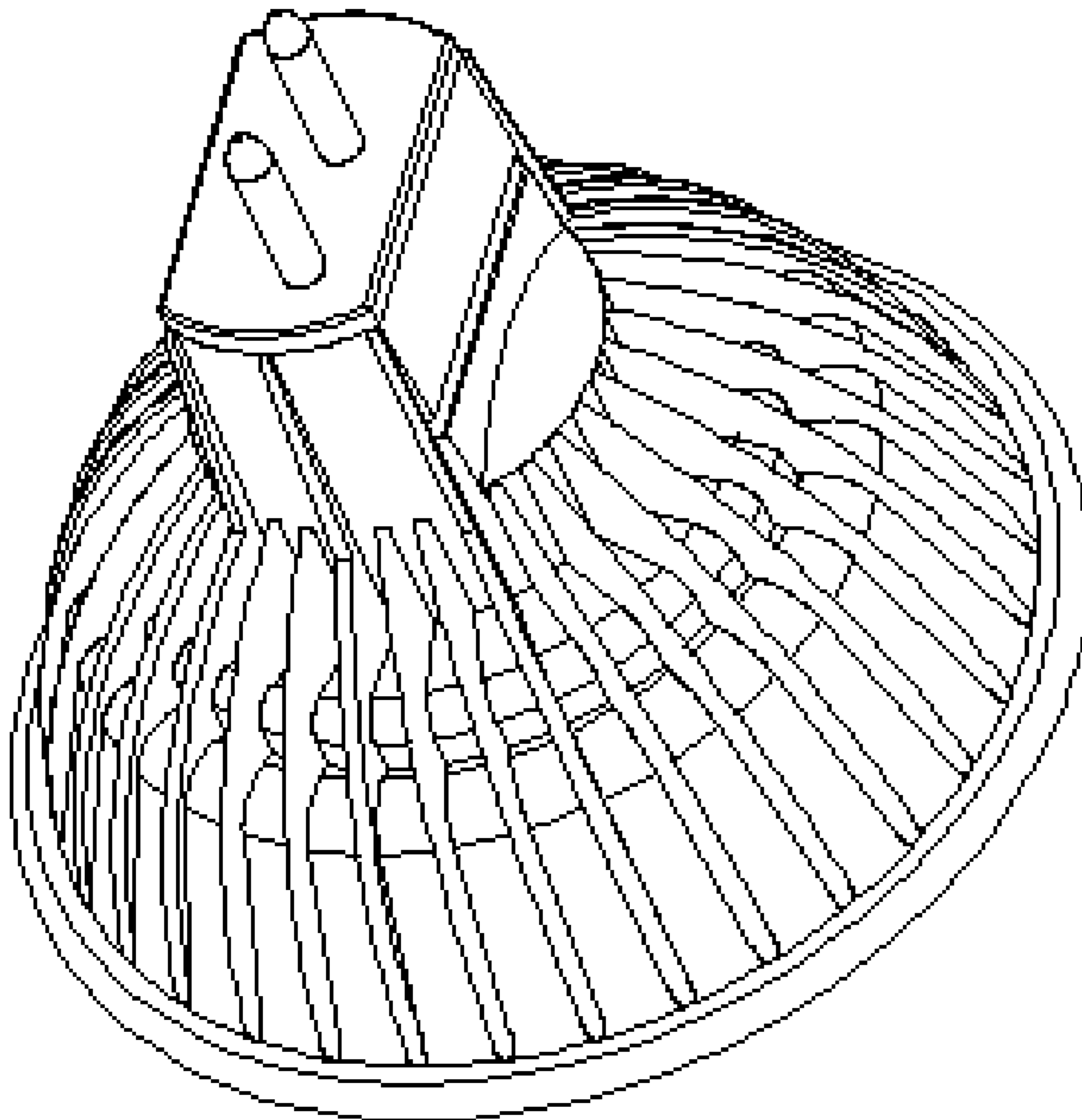


FIG. 1

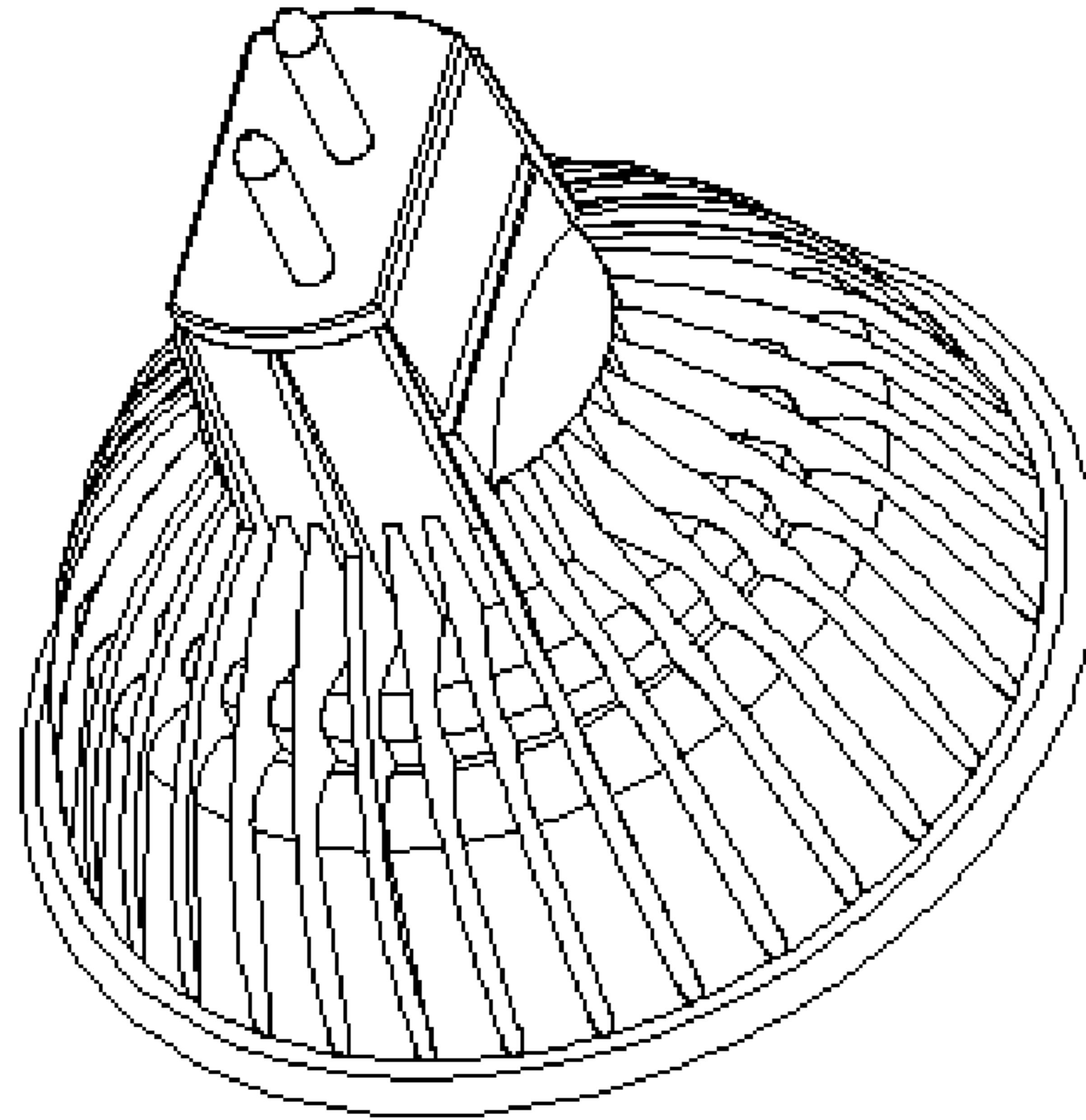


FIG. 2

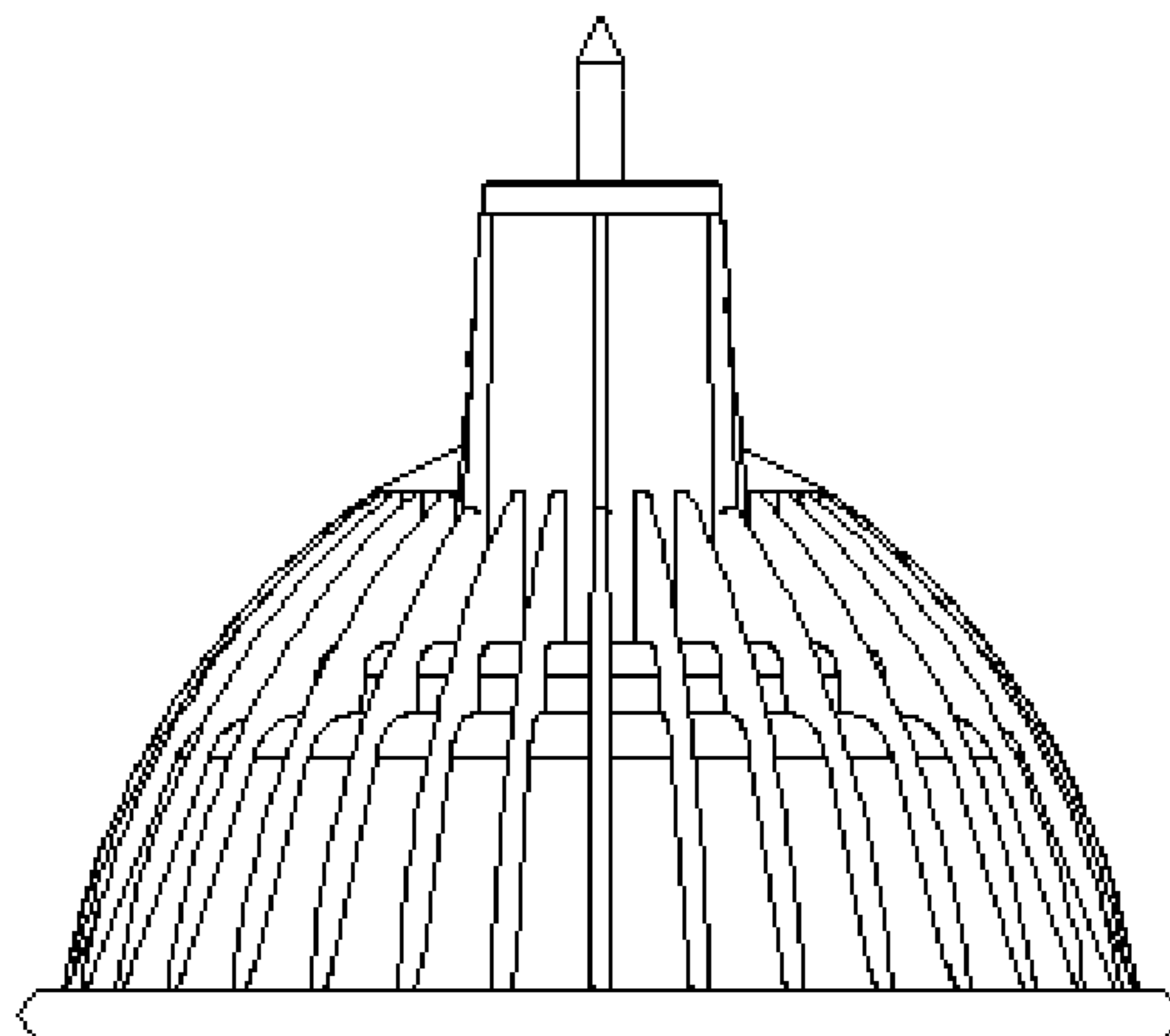


FIG. 3

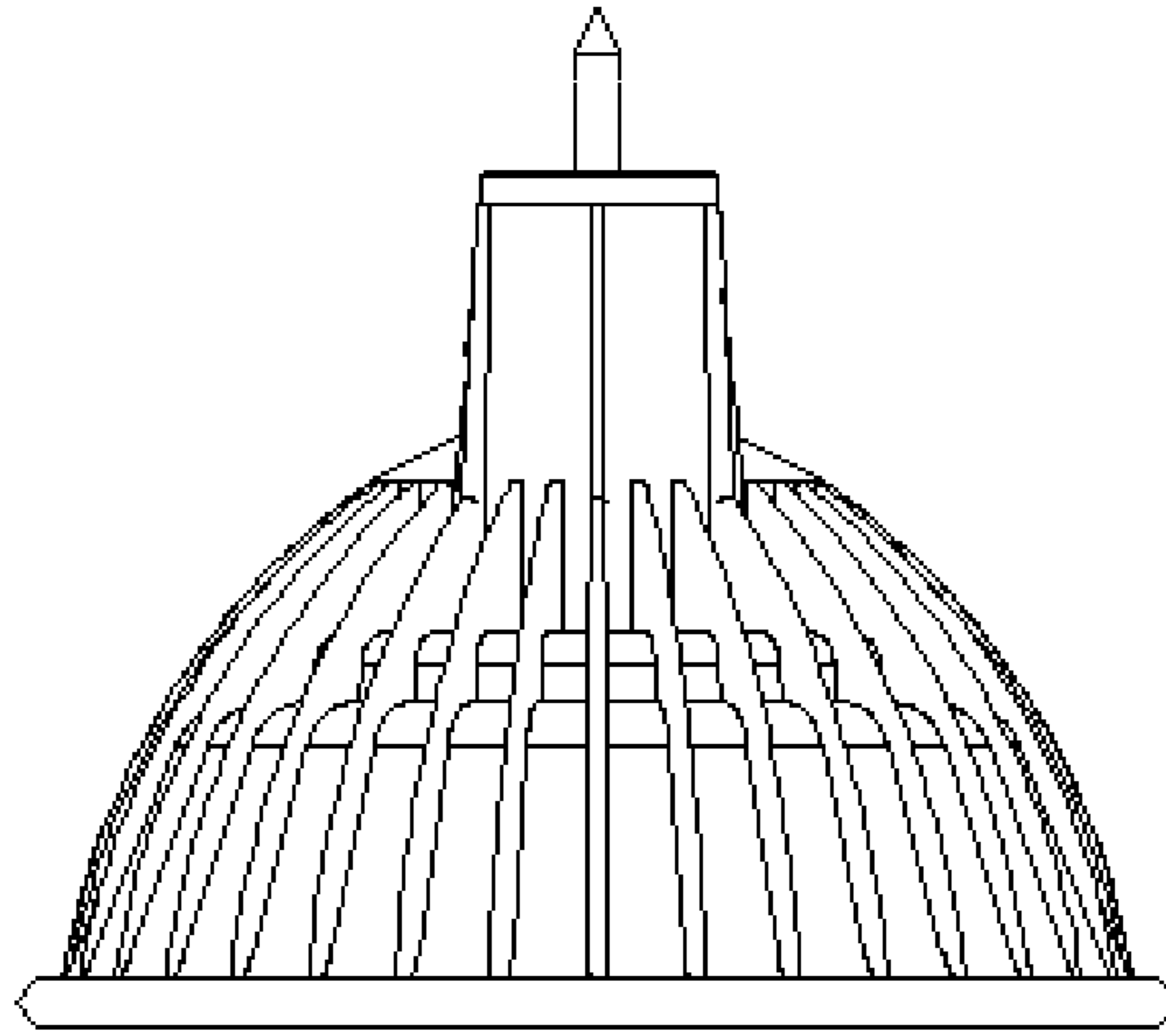


FIG. 4

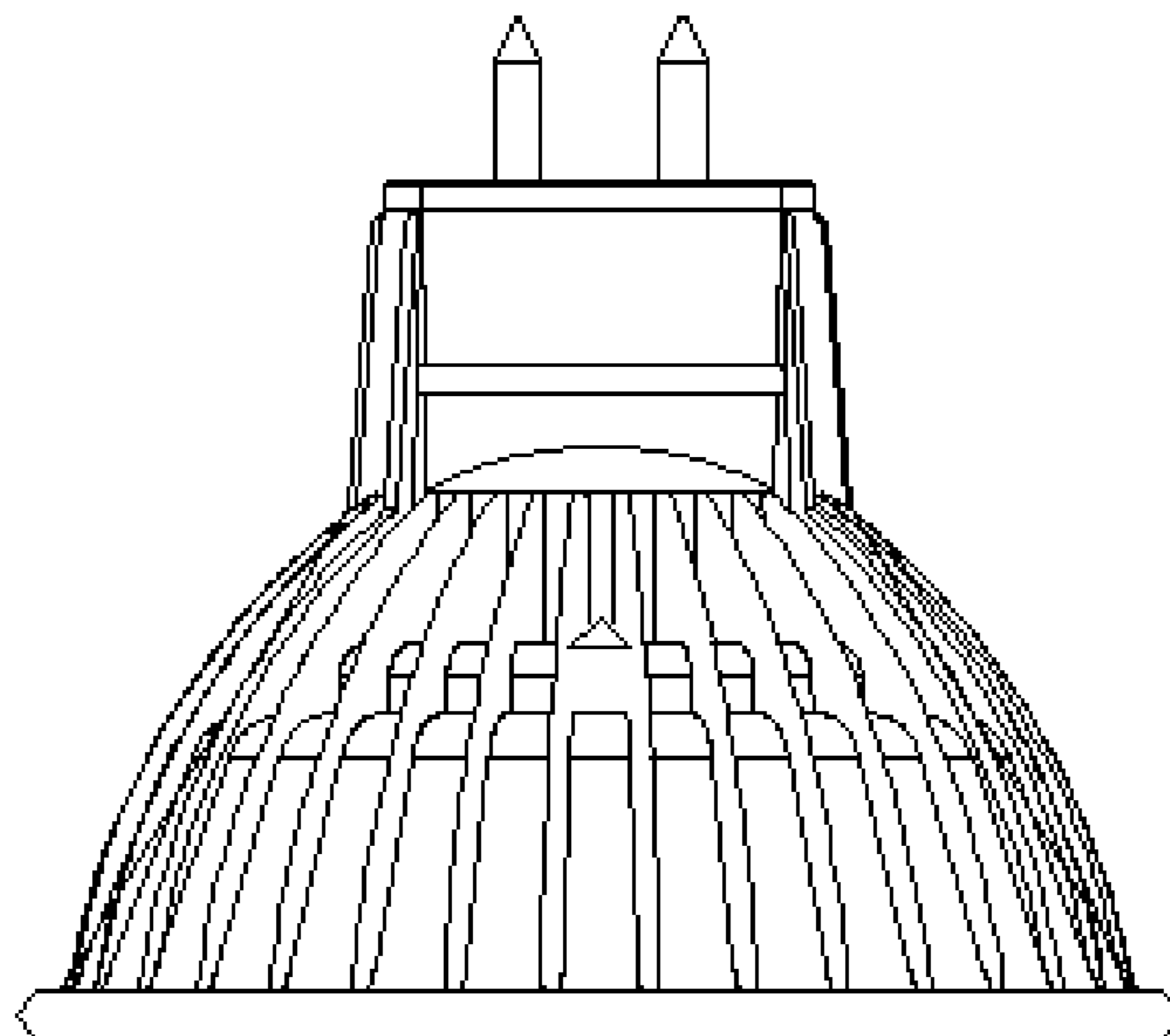


FIG. 5

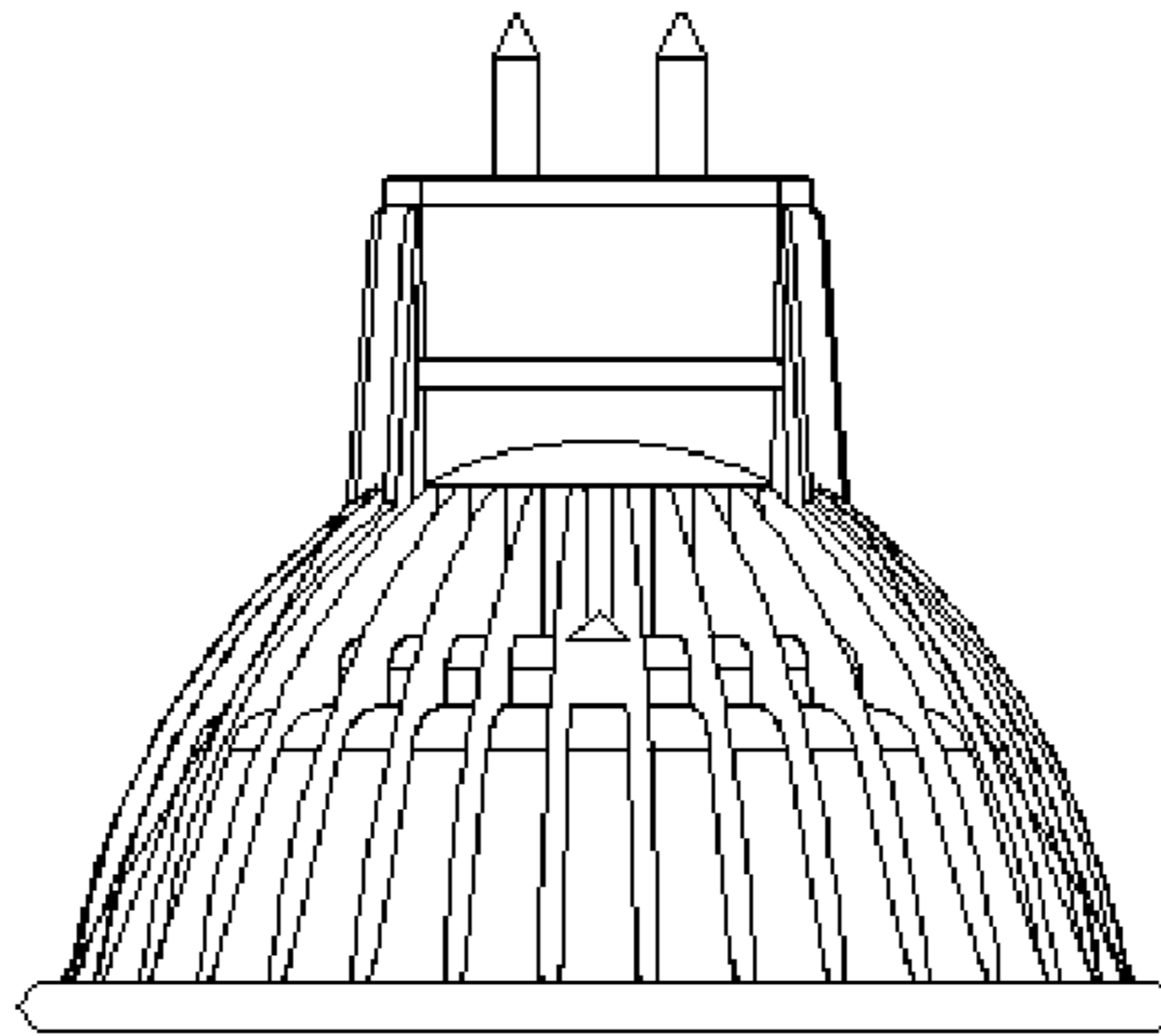


FIG. 6

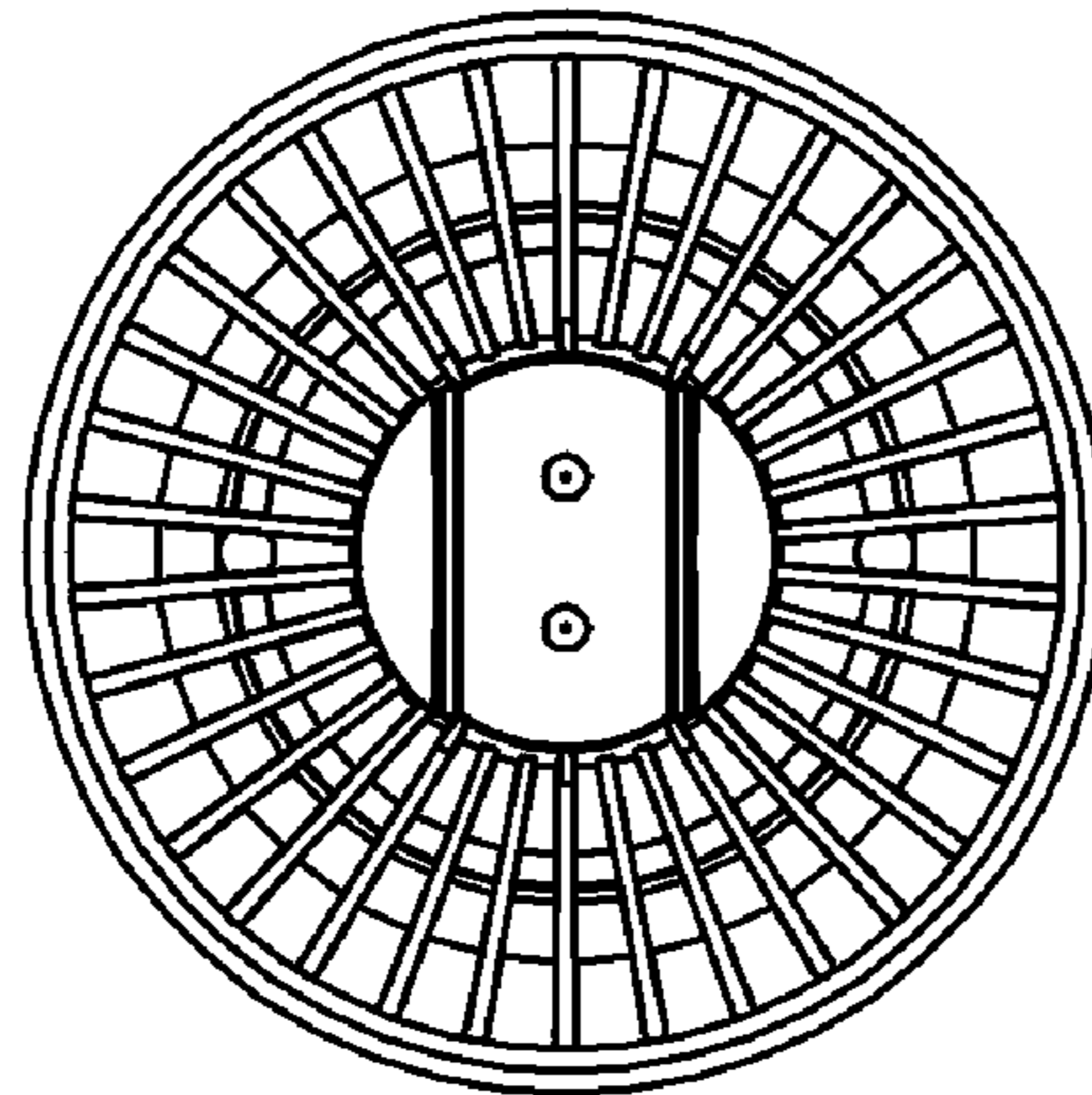


FIG. 7

