



US00D610267S

(12) **United States Design Patent**
Grice

(10) **Patent No.:** **US D610,267 S**

(45) **Date of Patent:** **** Feb. 16, 2010**

(54) **SOFFIT WITH RE-ENFORCING RIBS**

D486,921 S * 2/2004 Zyburd D25/119

(76) Inventor: **Gordon J. Grice**, 121 E. Burbank Ave.,
Janesville, WI (US) 53546

* cited by examiner

Primary Examiner—Doris Clark

(74) *Attorney, Agent, or Firm*—Melvin K. Silverman; Yi Li

(**) Term: **14 Years**

(21) Appl. No.: **29/313,386**

(57) **CLAIM**

(22) Filed: **Dec. 30, 2008**

The ornamental design for a soffit with re-enforcing ribs, as shown and described.

(51) **LOC (9) Cl.** **25-02**

DESCRIPTION

(52) **U.S. Cl.** **D25/55; D25/199**

(58) **Field of Classification Search** 52/94,
52/90.1, 15, 96; D25/55, 199

FIG. 1 is a perspective view of the inventive design for a soffit with re-enforcing ribs.

FIG. 2 is a bottom plan view thereof.

FIG. 3 is a top plan view of the inventive soffit design.

See application file for complete search history.

FIG. 4 is a side elevational view thereof; and,

FIG. 5 is an end elevational view thereof in which an opposite end thereof is a mirror image.

(56) **References Cited**

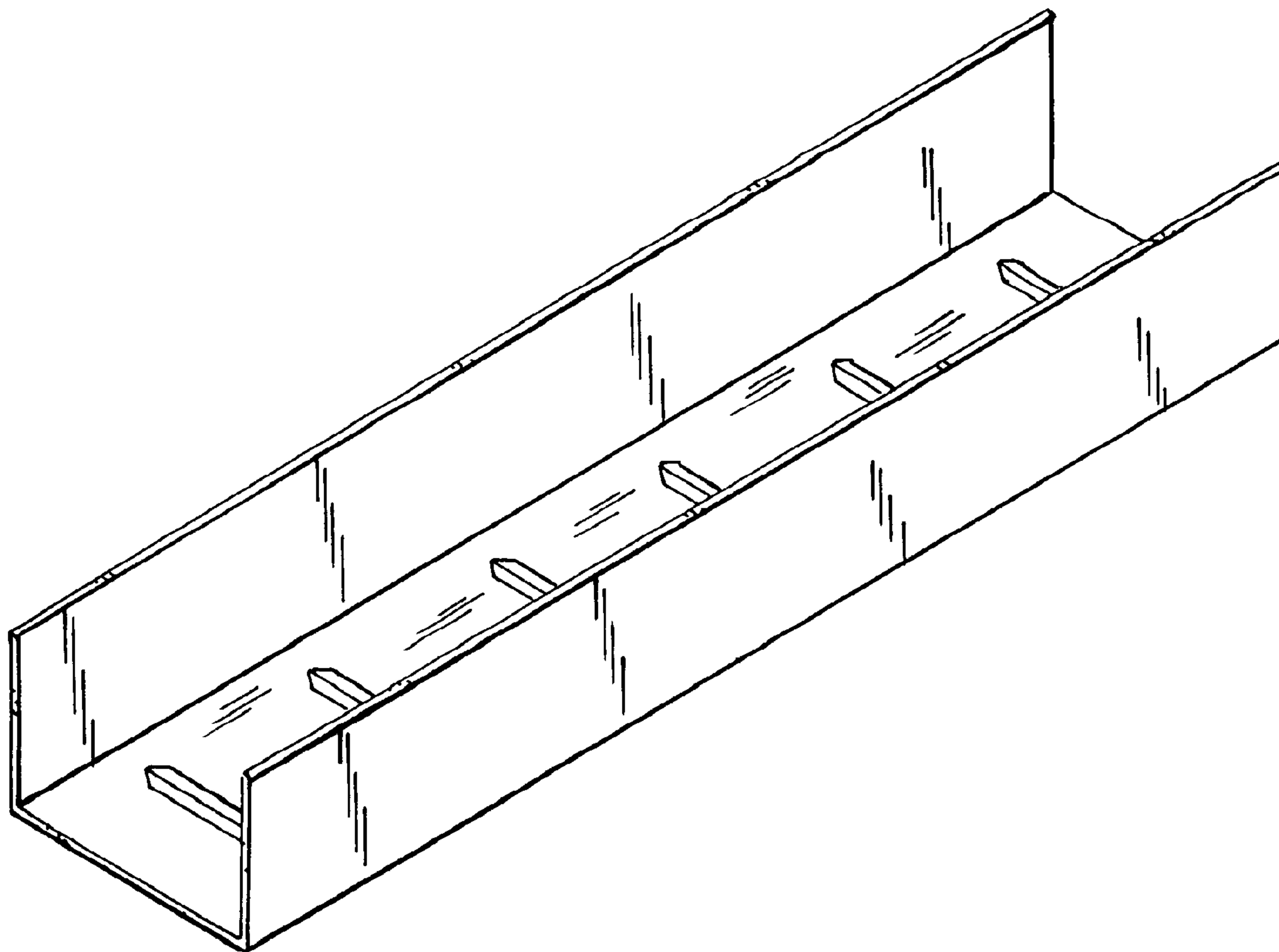
U.S. PATENT DOCUMENTS

5,799,446 A * 9/1998 Tamlyn 52/94

5,946,864 A * 9/1999 Simpson 52/94

6,138,418 A * 10/2000 Dyer et al. 52/94

1 Claim, 3 Drawing Sheets



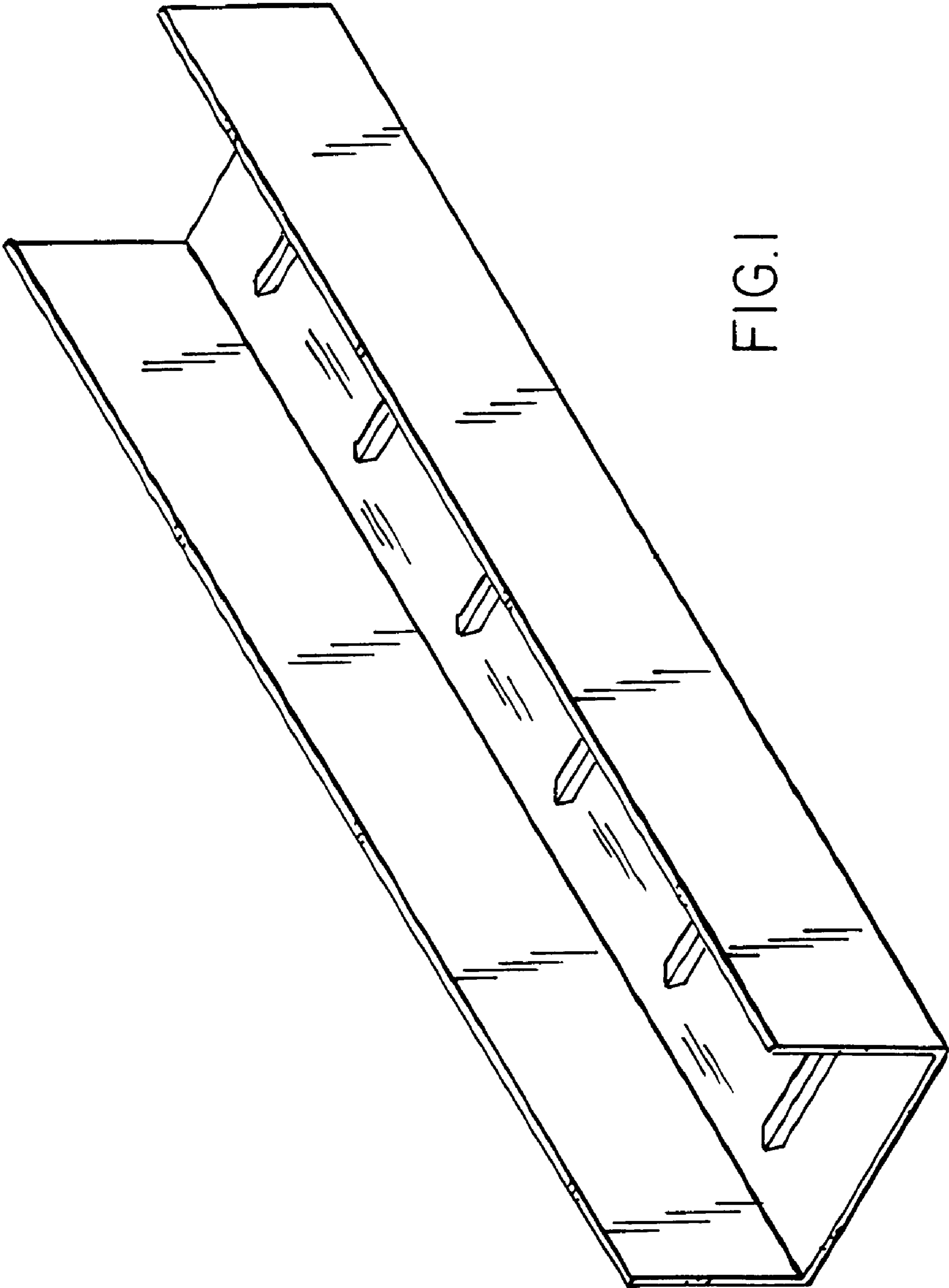


FIG. 1

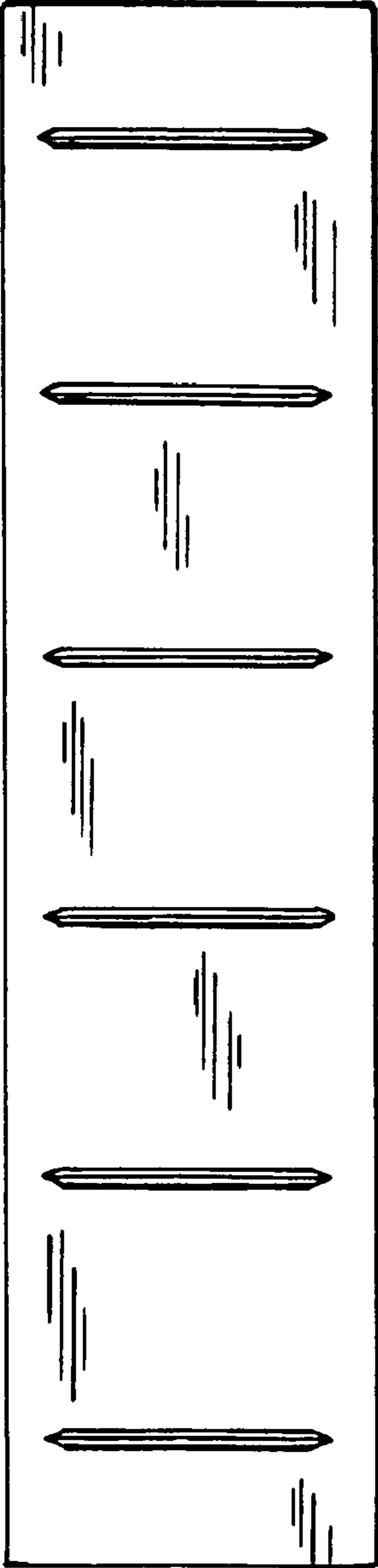


FIG. 2

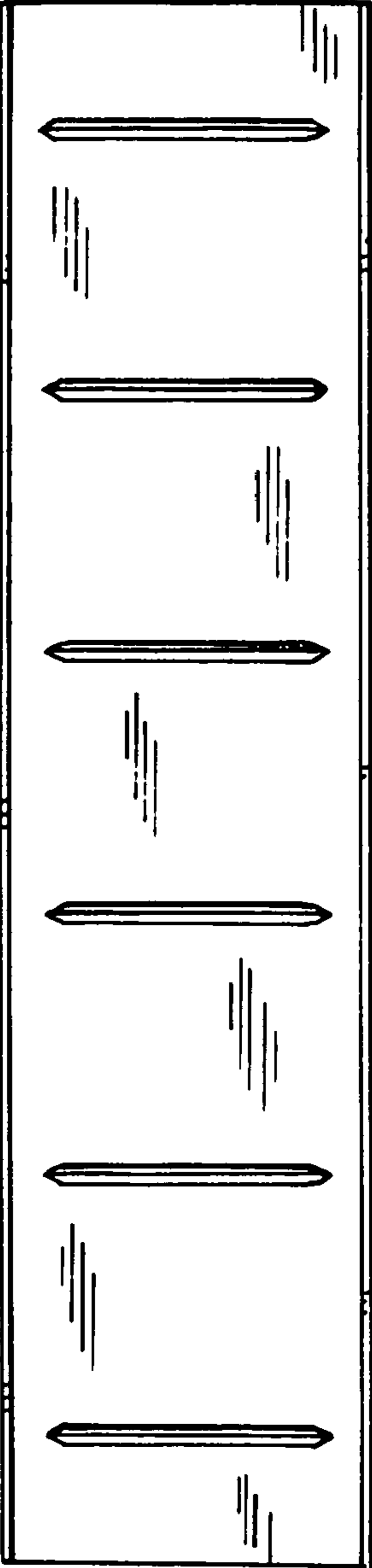


FIG. 3

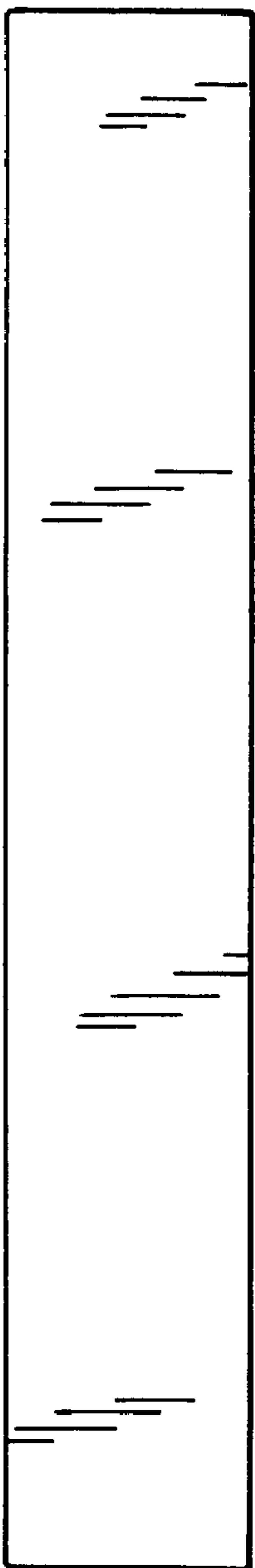


FIG. 4



FIG. 5