



US00D610265S

(12) **United States Design Patent**
Lea

(10) **Patent No.:** **US D610,265 S**
(45) **Date of Patent:** **** Feb. 16, 2010**

(54) **DRYING DEVICE**

(75) Inventor: **Peter Lea**, Toronto (CA)

(73) Assignee: **SQI Diagnostics Systems Inc.**, Toronto, Ontario (CA)

(**) Term: **14 Years**

(21) Appl. No.: **29/340,684**

(22) Filed: **Jul. 23, 2009**

D322,343 S	12/1991	Pearcy	
D322,344 S	12/1991	Winkler	
D349,773 S	8/1994	Malin et al.	
D366,529 S	1/1996	Babaoglu et al.	
D368,532 S	4/1996	Jonkman et al.	
D371,233 S	7/1996	Kelly	
D373,867 S	9/1996	Rask	
D449,414 S *	10/2001	James et al.	D32/55
D460,295 S *	7/2002	Fissell et al.	D32/58
D465,891 S	11/2002	Brown	
D541,493 S *	4/2007	Peet	D32/8
7,237,686 B2 *	7/2007	Bertrand et al.	211/74
D554,187 S *	10/2007	Bonaventura	D19/90
D554,188 S *	10/2007	Bonaventura	D19/90
D598,127 S *	8/2009	Lea	D24/227

Related U.S. Application Data

(62) Division of application No. 29/297,227, filed on Nov. 7, 2007, now Pat. No. Des. 598,127.

Foreign Application Priority Data

May 8, 2007 (CA) 120632

(51) **LOC (9) Cl.** **24-02**

(52) **U.S. Cl.** **D24/227**

(58) **Field of Classification Search** D24/216,
D24/224, 226-232; 422/63-64, 99-104,
422/266, 297, 300; 211/69, 71-72, 74; D32/8,
D32/55-59; D6/462-469, 552; D3/23; D19/90
See application file for complete search history.

References Cited

U.S. PATENT DOCUMENTS

2,956,686 A	10/1960	Garey
D195,622 S	7/1963	Wing
D221,220 S	7/1971	Emmitt
D246,726 S	12/1977	Fox
D318,332 S	7/1991	Allen

* cited by examiner

Primary Examiner—T. Chase Nelson

Assistant Examiner—Mark Cavanna

(74) *Attorney, Agent, or Firm*—Kilyk & Bowersox, P.L.L.C.

(57) **CLAIM**

A design for a drying device, as shown and described.

DESCRIPTION

FIG. 1 is a perspective view of the drying device showing my new design;

FIG. 2 is a top plan view thereof; and,

FIG. 3 is a side elevational view thereof.

The broken lines are included for the purpose of illustrating portions of the drying device that forms no part of the claimed design.

1 Claim, 2 Drawing Sheets

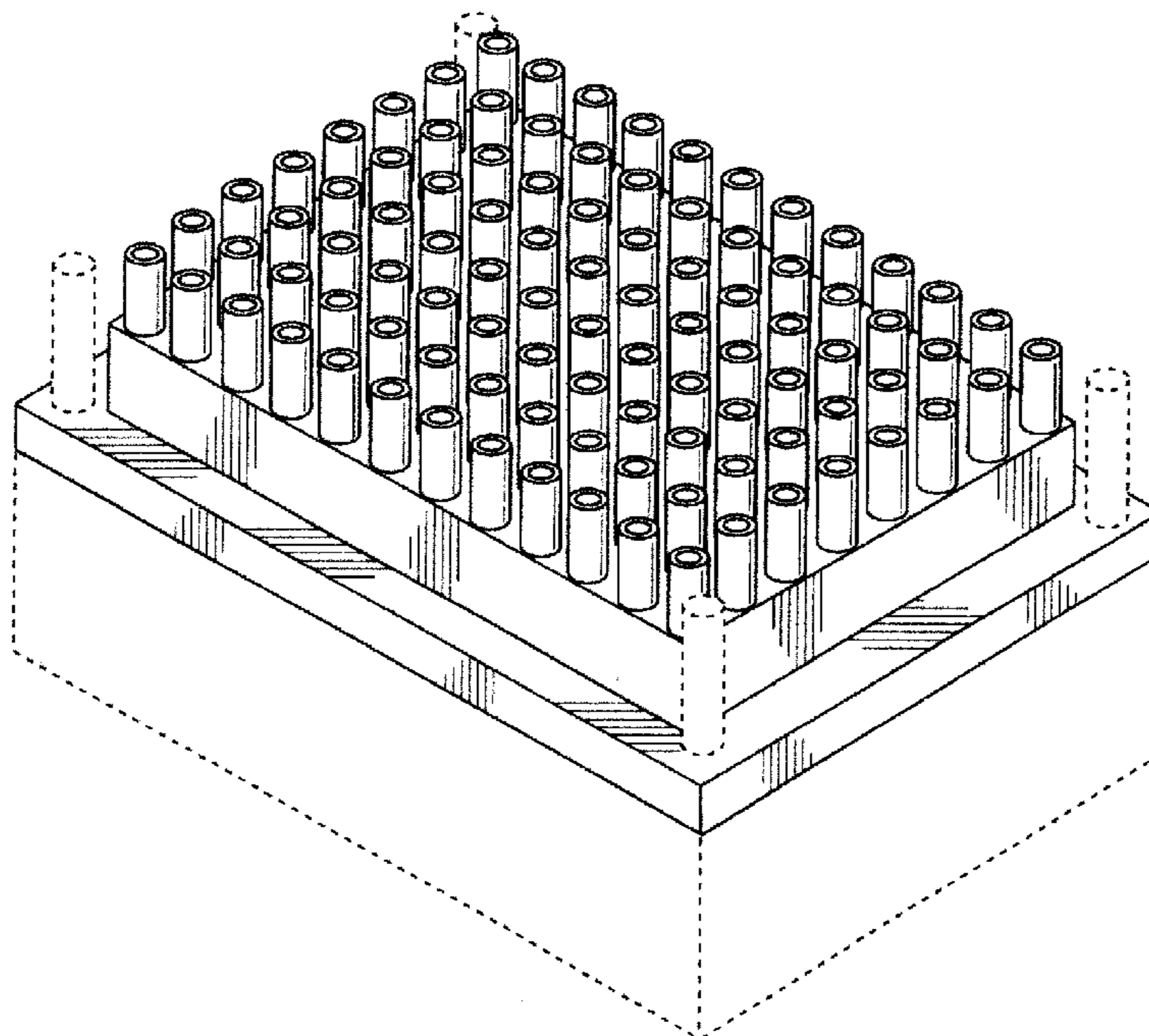


Fig. 1

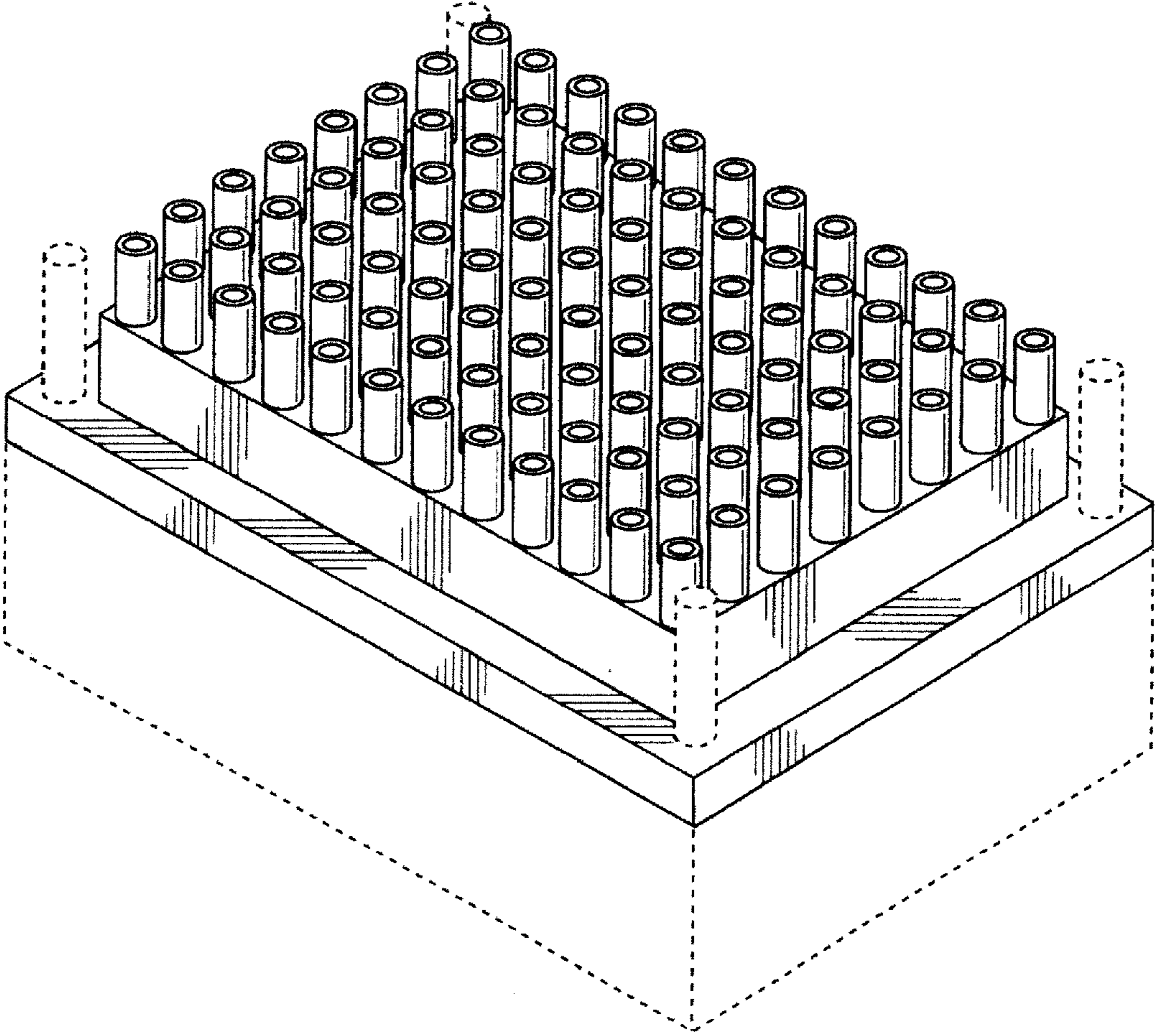


Fig. 2

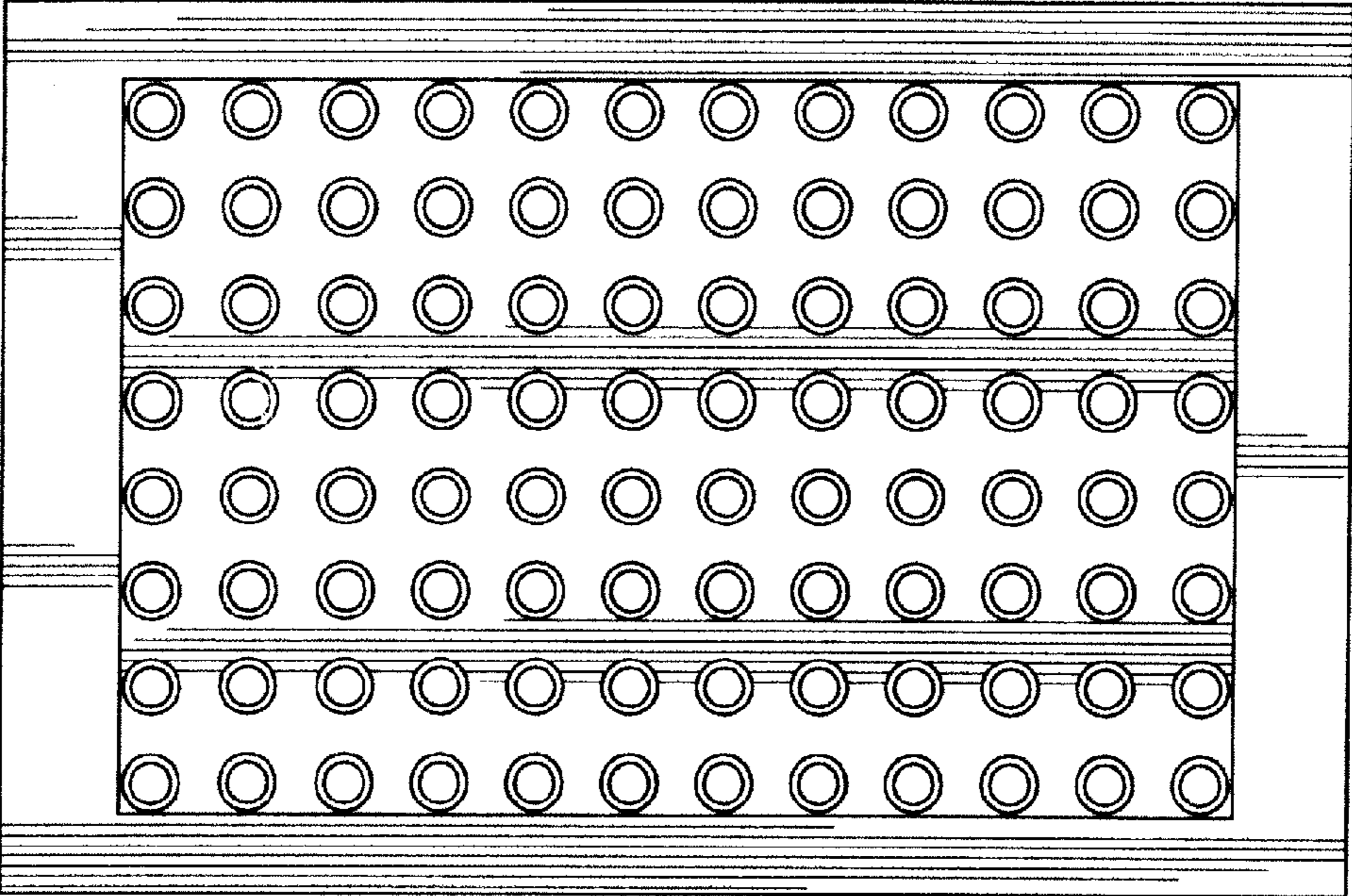


Fig. 3

