



US00D610264S

(12) **United States Design Patent**
Hess et al.

(10) **Patent No.:** **US D610,264 S**
(45) **Date of Patent:** **** Feb. 16, 2010**

(54) **PRODUCT SAVER FOOT BATH**

6,931,675 B1 * 8/2005 Hager 4/622

(75) Inventors: **Craig C. Hess**, New London, WI (US);
Jeffrey F. Johnson, Appleton, WI (US);
Steven R. Schumacher, Sherwood, WI
(US); **Timothy J. Kaften**, Kaukauna, WI
(US)

(73) Assignee: **Appleton Steel, Inc.**, Appleton, WI (US)

(**) Term: **14 Years**

(21) Appl. No.: **29/344,169**

(22) Filed: **Sep. 24, 2009**

(51) **LOC (9) Cl.** **23-02**

(52) **U.S. Cl.** **D24/205**

(58) **Field of Classification Search** D24/205,
D24/200, 201, 212, 213; D30/131; 4/619,
4/622, 625, 626, 627, 541.1, 541.4; 607/144
See application file for complete search history.

(56) **References Cited**

U.S. PATENT DOCUMENTS

- 2,956,565 A * 10/1960 Anderson 607/86
- D304,235 S * 10/1989 Chambers D24/204
- 5,774,909 A * 7/1998 Stable 4/622
- D405,526 S * 2/1999 Bonelli D24/123
- D459,447 S * 6/2002 Thomas D23/280.1
- D506,830 S * 6/2005 Zimmermann D24/204

OTHER PUBLICATIONS

Printout of Intra Bath from <http://diamondhoofcare.com/intrabath.html> webpage.

* cited by examiner

Primary Examiner—Prabhakar Deshmukh

Assistant Examiner—Derrick Holland

(74) *Attorney, Agent, or Firm*—Donald J. Ersler

(57) **CLAIM**

The ornamental design for a product saver foot bath, as shown and described.

DESCRIPTION

FIG. 1 is a perspective view of a product saver foot bath incorporating my new design;

FIG. 2 is a partially exploded perspective view thereof;

FIG. 3 is a front elevation view thereof;

FIG. 4 is a rear elevation view thereof;

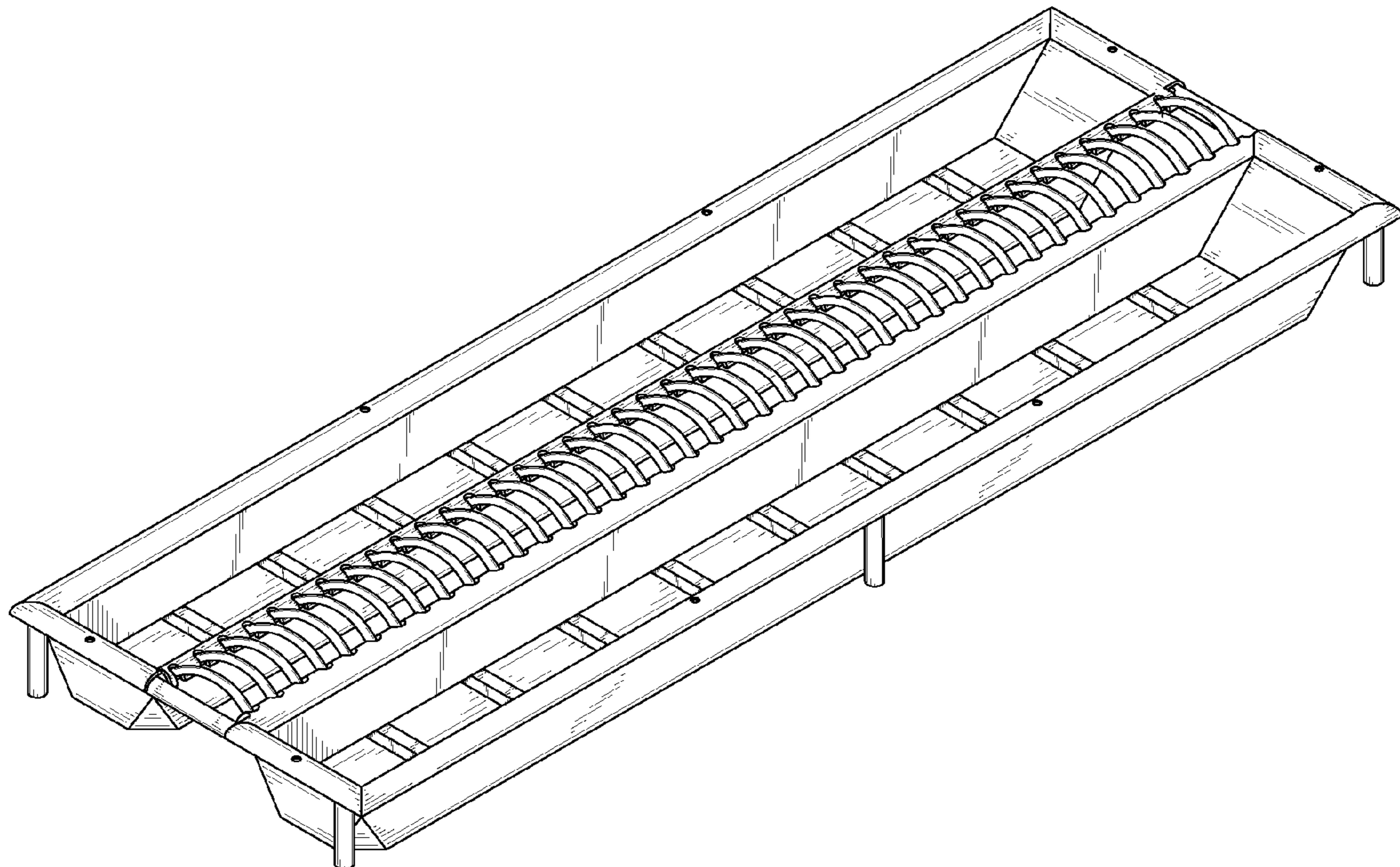
FIG. 5 is a left end view thereof;

FIG. 6 is a right end view thereof;

FIG. 7 is a top plan view thereof; and,

FIG. 8 is a bottom plan view.

1 Claim, 4 Drawing Sheets



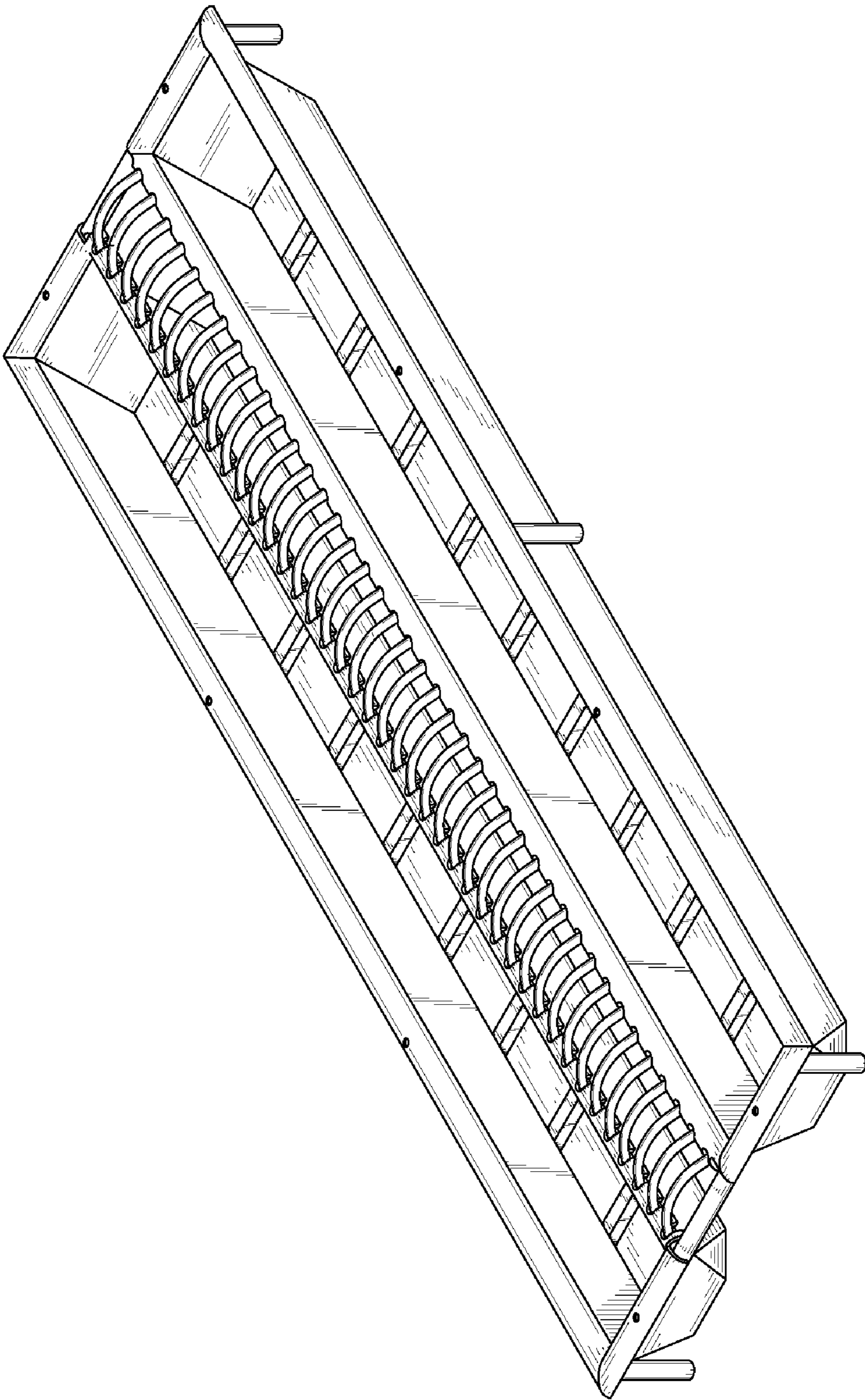


FIG. 1

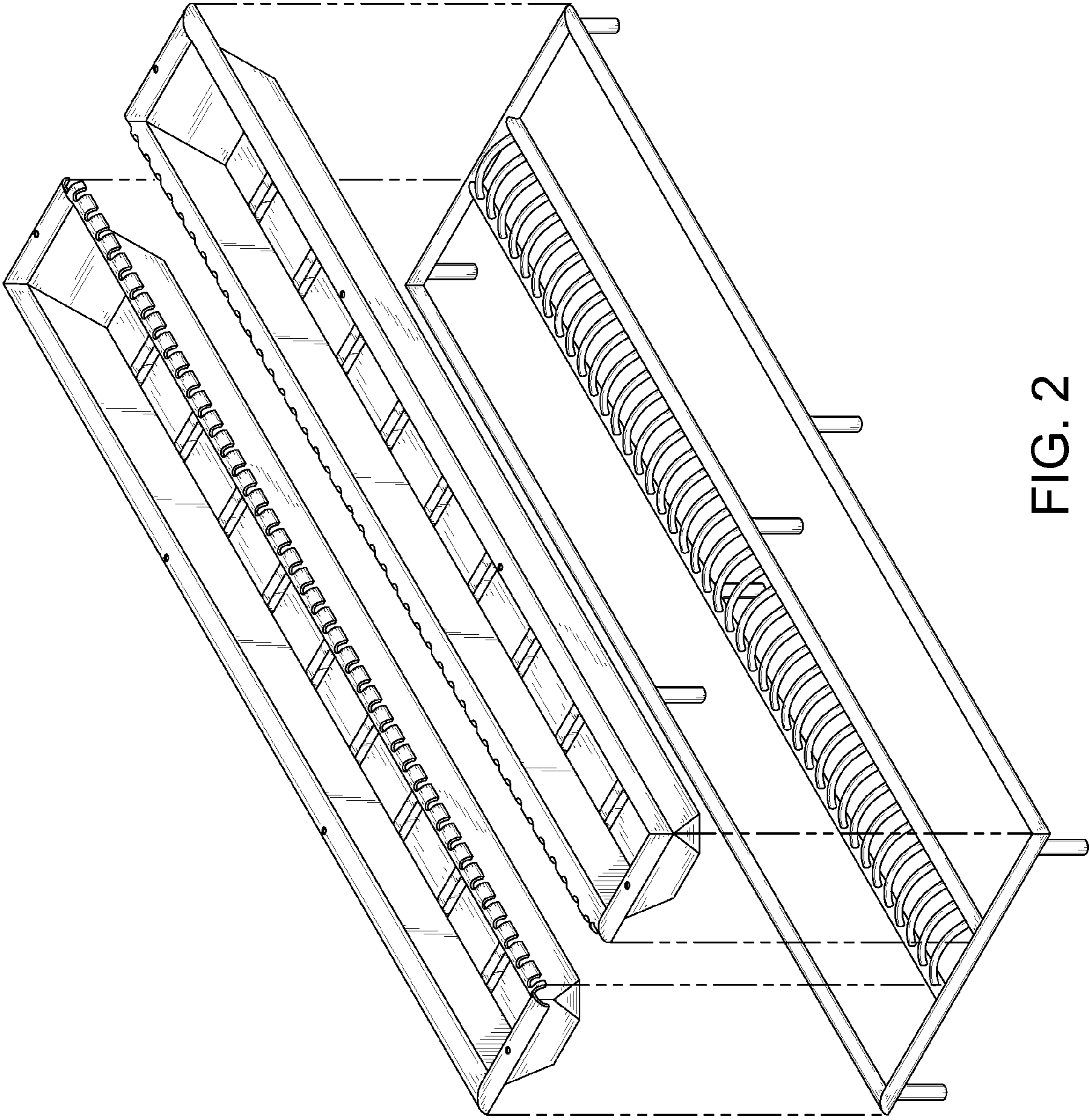


FIG. 2

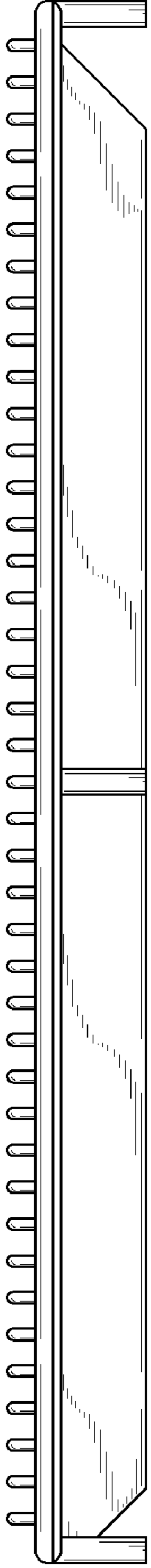


FIG. 3

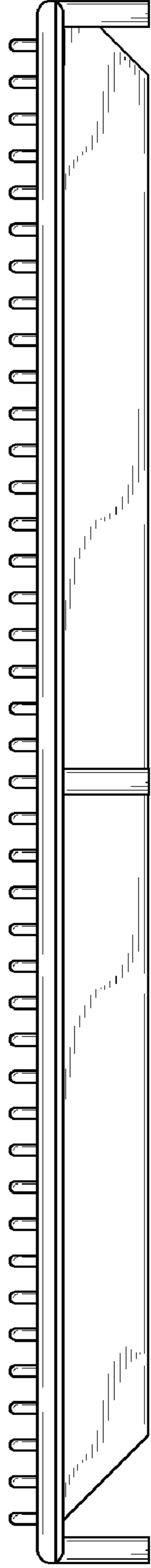


FIG. 4

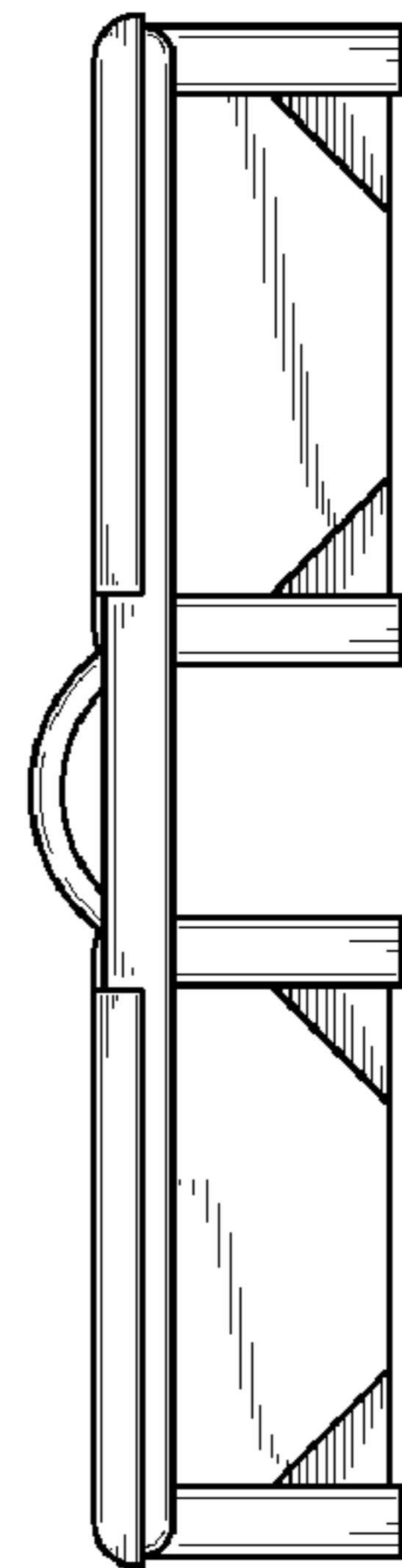


FIG. 5

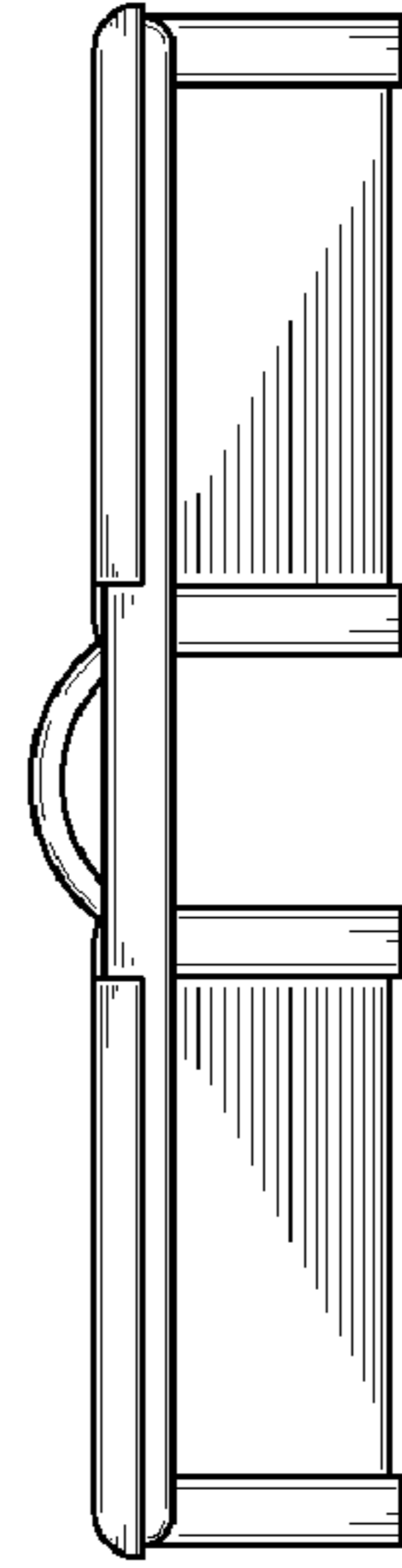


FIG. 6

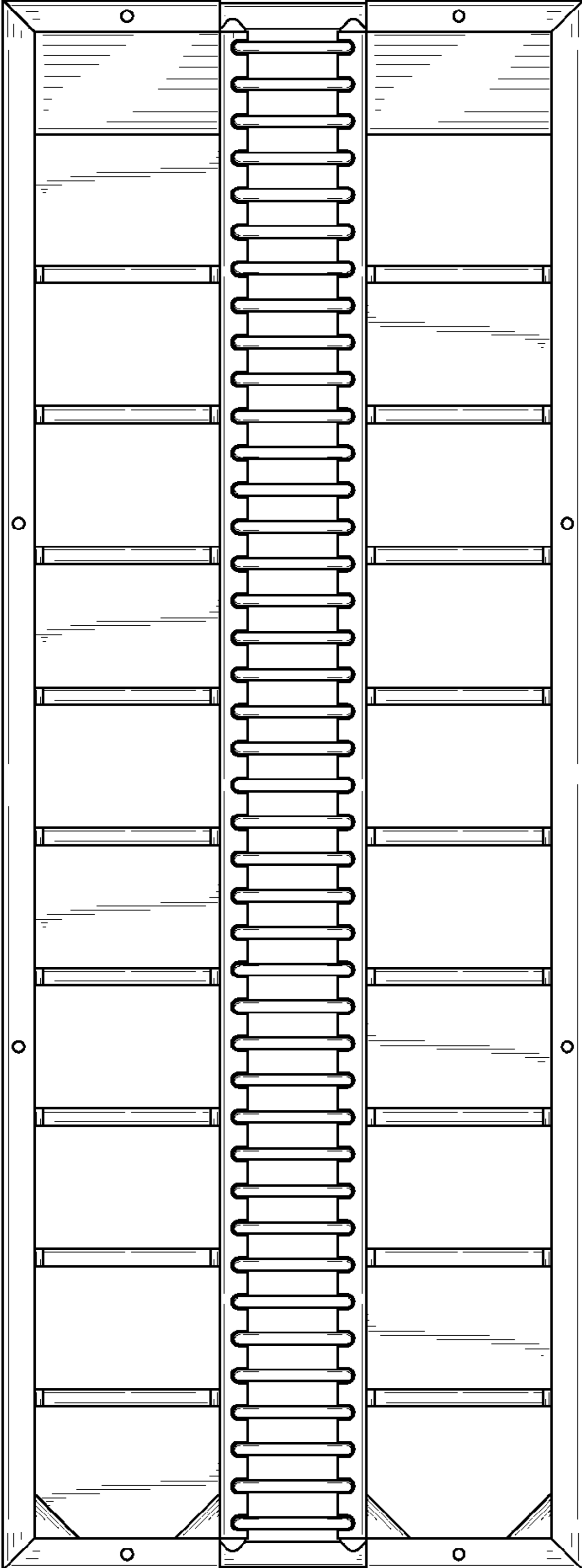


FIG. 7

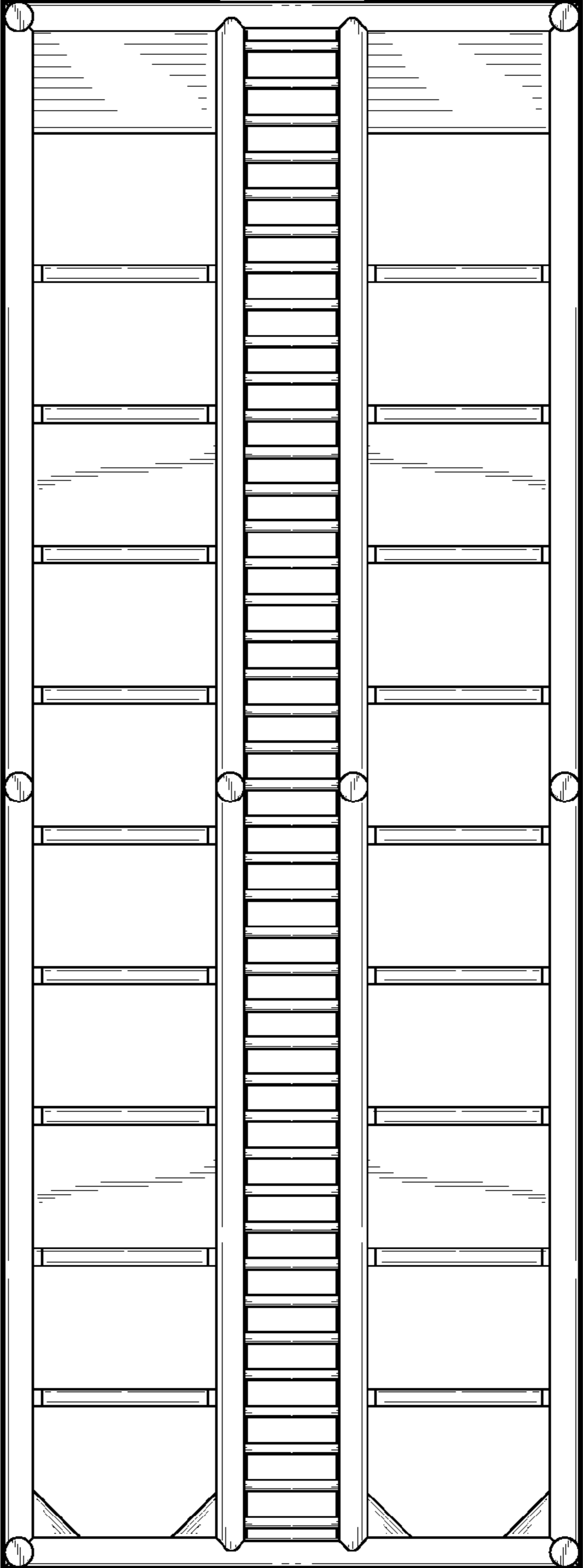


FIG. 8