



US00D610262S

(12) **United States Design Patent**
Suzuki

(10) **Patent No.:** **US D610,262 S**

(45) **Date of Patent:** **** Feb. 16, 2010**

(54) **AUTOMATIC ANALYZER**

(75) Inventor: **Koji Suzuki**, Yokohama (JP)

(73) Assignee: **Olympus Corporation**, Tokyo (JP)

(**) Term: **14 Years**

(21) Appl. No.: **29/334,704**

(22) Filed: **Mar. 31, 2009**

(30) **Foreign Application Priority Data**

Oct. 2, 2008 (JP) 2008-025405

(51) **LOC (9) Cl.** **24-02**

(52) **U.S. Cl.** **D24/186**

(58) **Field of Classification Search** D24/107,
D24/158, 164, 165, 167, 169, 170, 185-187,
D24/216, 231-232, 234; 600/300, 301, 368,
600/372, 481, 529, 544, 554, 561; 422/1,
422/61, 68.1, 99-104, 129; D10/46, 75,
D10/81; 436/47, 49, 179-180

See application file for complete search history.

(56) **References Cited**

U.S. PATENT DOCUMENTS

- D281,310 S * 11/1985 Hattori et al. D10/81
- D298,854 S * 12/1988 Kame et al. D24/169
- D314,049 S * 1/1991 Katayama D24/186
- D319,307 S * 8/1991 Sakagami et al. D24/169
- D320,073 S * 9/1991 Sakagami et al. D24/232
- D320,443 S * 10/1991 Yokoyama et al. D24/231
- D332,314 S * 1/1993 Torai et al. D24/232
- D333,007 S * 2/1993 LaBarbera D24/216
- D338,962 S * 8/1993 Ikegami et al. D24/186
- D339,636 S * 9/1993 Uchiyama D24/185
- D339,639 S * 9/1993 Ohnuma et al. D24/186
- D346,027 S * 4/1994 Kobayashi D24/186
- D351,025 S * 9/1994 Yamashita et al. D24/186
- D354,354 S * 1/1995 Yamashita et al. D24/186
- D364,576 S * 11/1995 Glaser D10/75
- D369,564 S * 5/1996 Whitby et al. D24/234
- D373,830 S * 9/1996 LaBarbera et al. D24/232
- D377,455 S * 1/1997 Burchard et al. D10/81
- D380,273 S * 6/1997 Emerson et al. D24/232

- D380,551 S * 7/1997 Ohnuma et al. D24/186
- D406,901 S * 3/1999 Ditterline et al. D24/232
- D410,080 S * 5/1999 Heidsiek et al. D24/107
- D413,539 S * 9/1999 Ditterline et al. D10/81
- D430,304 S * 8/2000 Oonuma et al. D24/233
- D474,279 S * 5/2003 Mayer et al. D24/232
- D515,707 S * 2/2006 Shinohara et al. D24/232
- D522,391 S * 6/2006 Onuma et al. D24/169
- D560,131 S * 1/2008 Hu D10/81
- D571,474 S * 6/2008 Sjo-Gaber et al. D24/186
- D571,480 S * 6/2008 Beck et al. D24/232

* cited by examiner

Primary Examiner—T. Chase Nelson

Assistant Examiner—Mark Cavanna

(74) *Attorney, Agent, or Firm*—Scully, Scott, Murphy & Presser, P.C.

(57) **CLAIM**

The ornamental design for automatic analyzer, as shown and described.

DESCRIPTION

FIG. 1 is a right side perspective view of an automatic analyzer showing my new design;

FIG. 2 is a left side perspective view thereof;

FIG. 3 is a front view thereof;

FIG. 4 is a rear view thereof;

FIG. 5 is a right side view thereof;

FIG. 6 is a left side view thereof;

FIG. 7 is a top plan view thereof;

FIG. 8 is a bottom plan view thereof;

FIG. 9 is a right side perspective view of a second embodiment of the automatic analyzer in which a portion of the design of the first embodiment has been made transparent; and,

FIG. 10 is a rear view of the embodiment of FIG. 9.

The broken lines shown are included for the purpose of illustrating a portion of the automatic analyzer that forms no part of the claimed design.

1 Claim, 5 Drawing Sheets

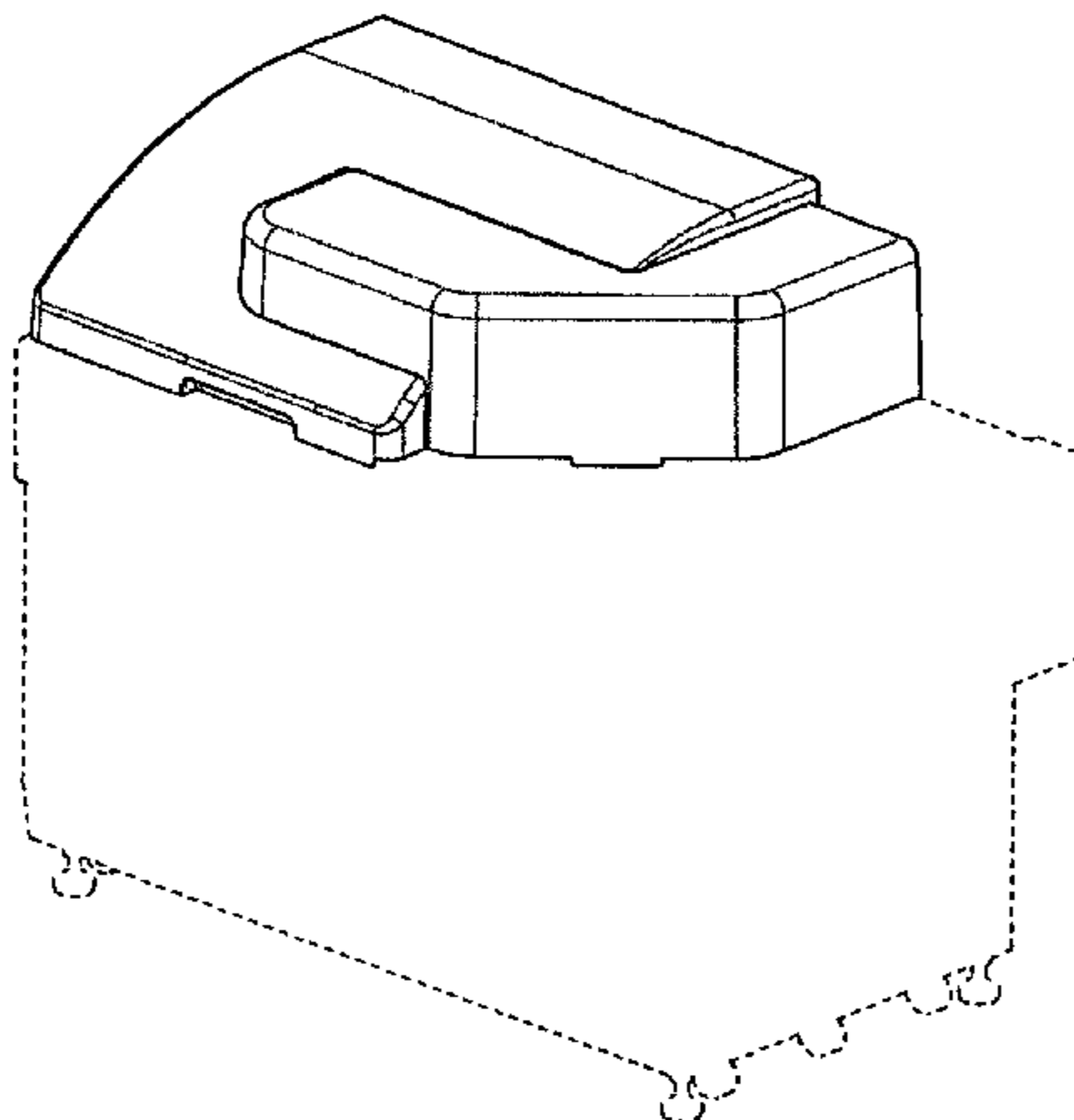


FIG.1

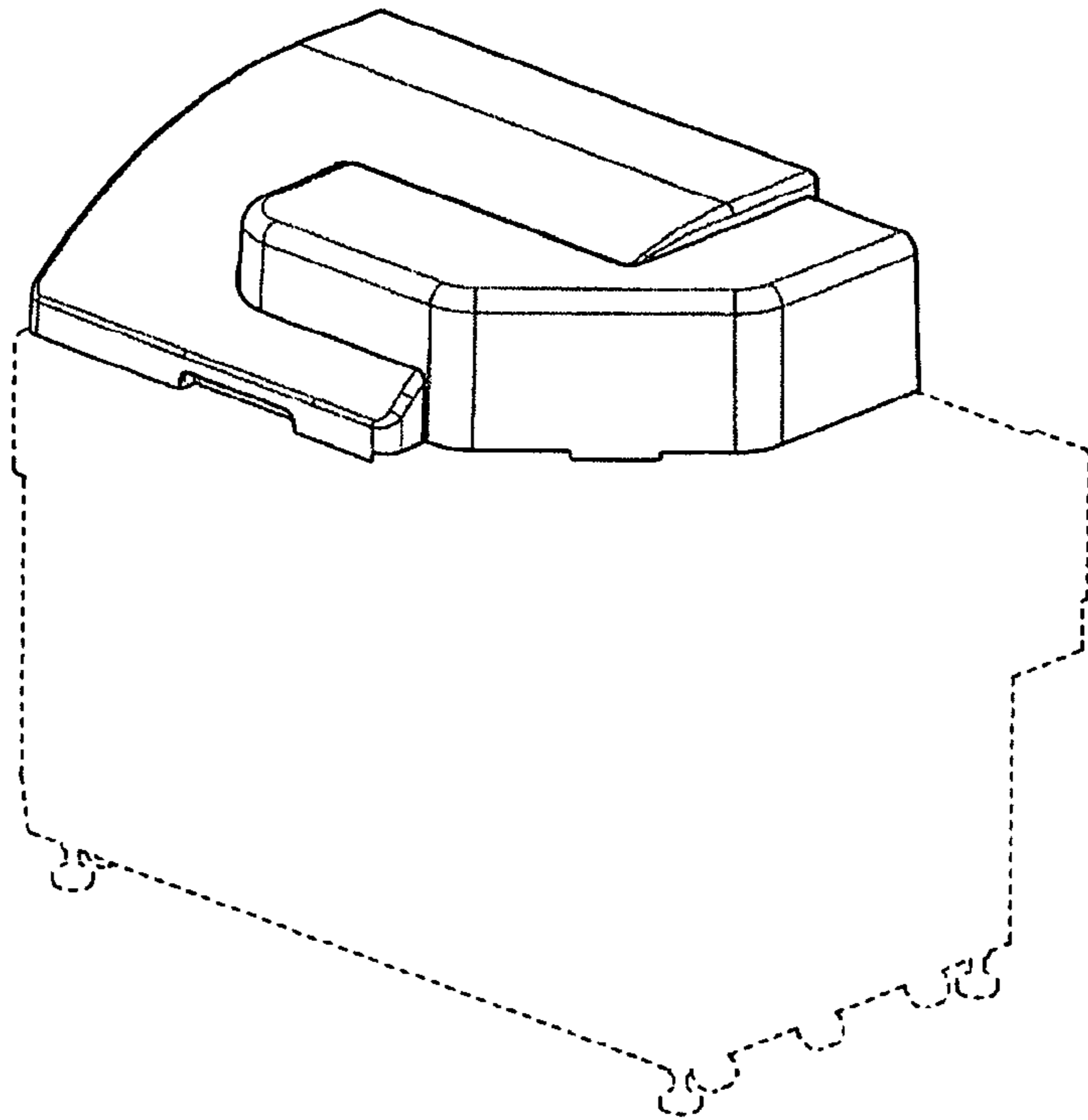


FIG.2

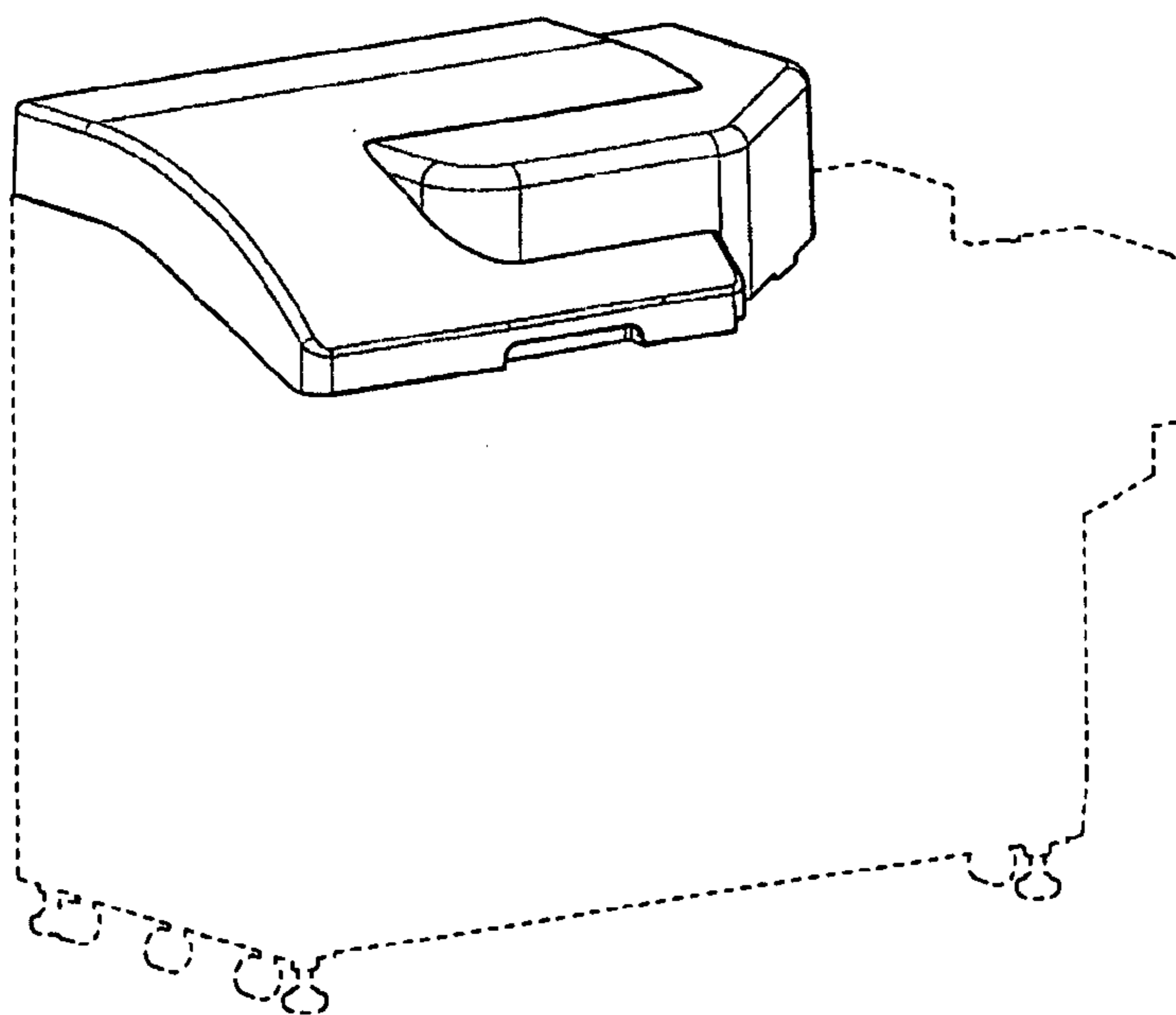


FIG.3

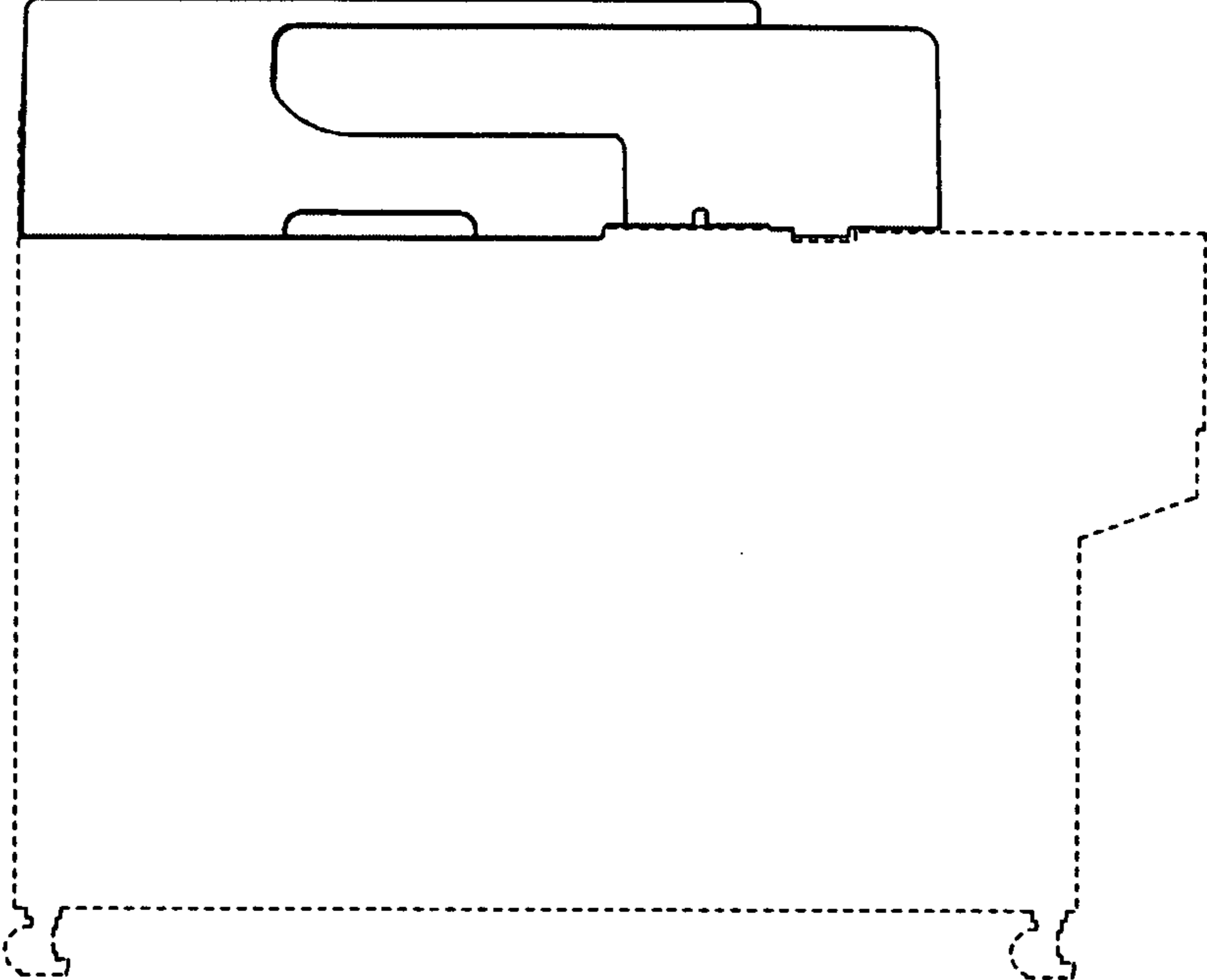


FIG.4

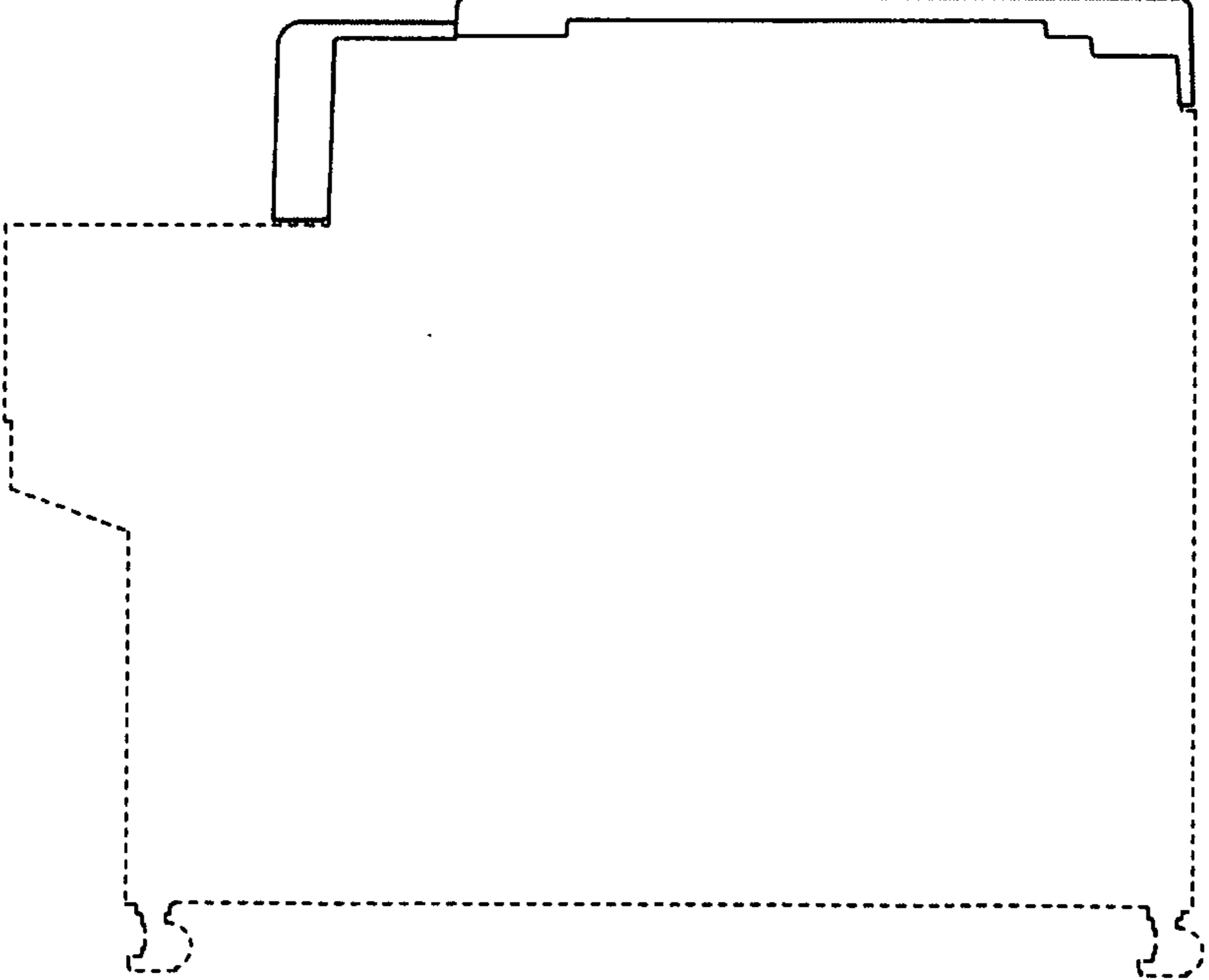


FIG.5

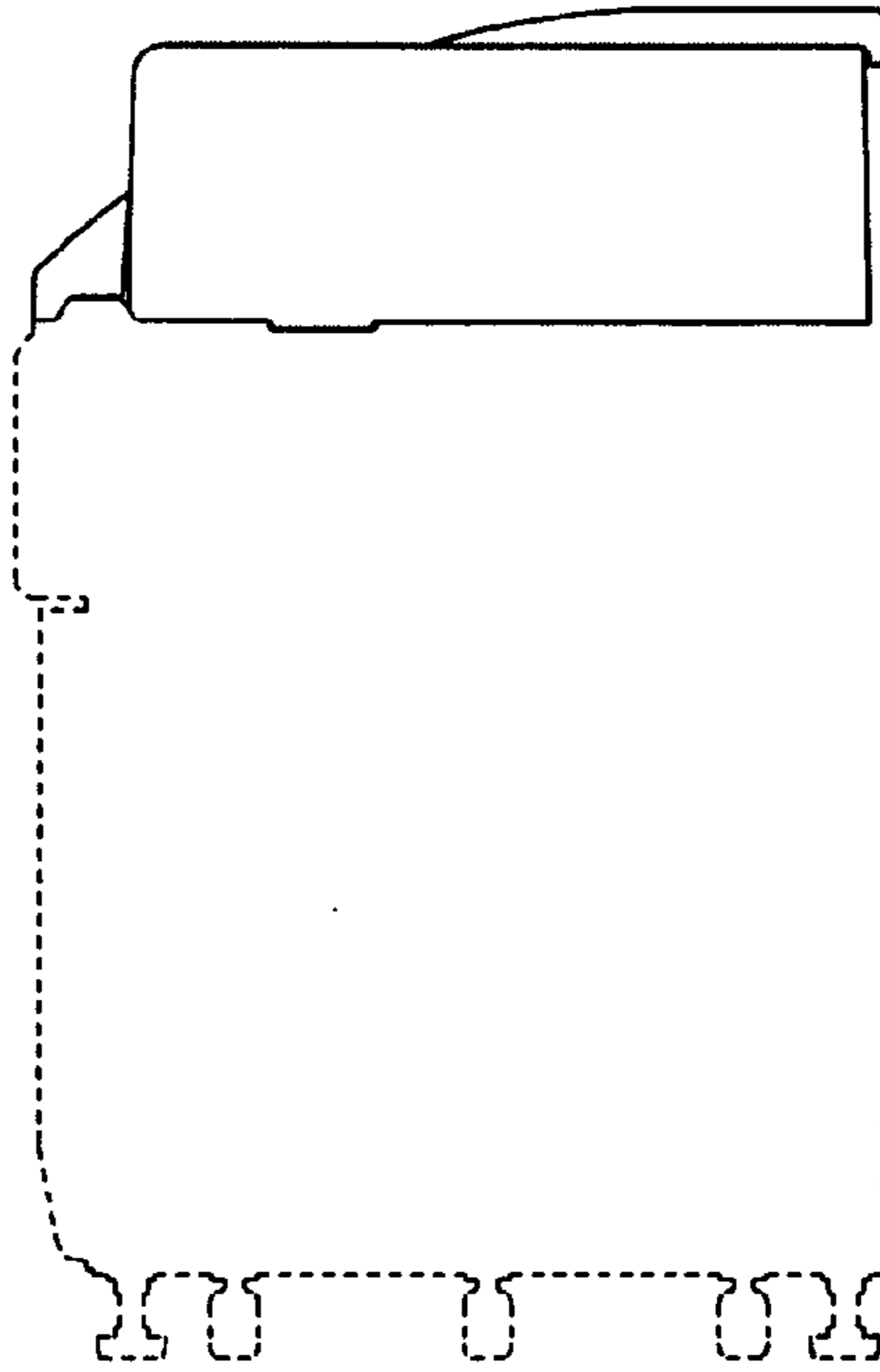


FIG.6

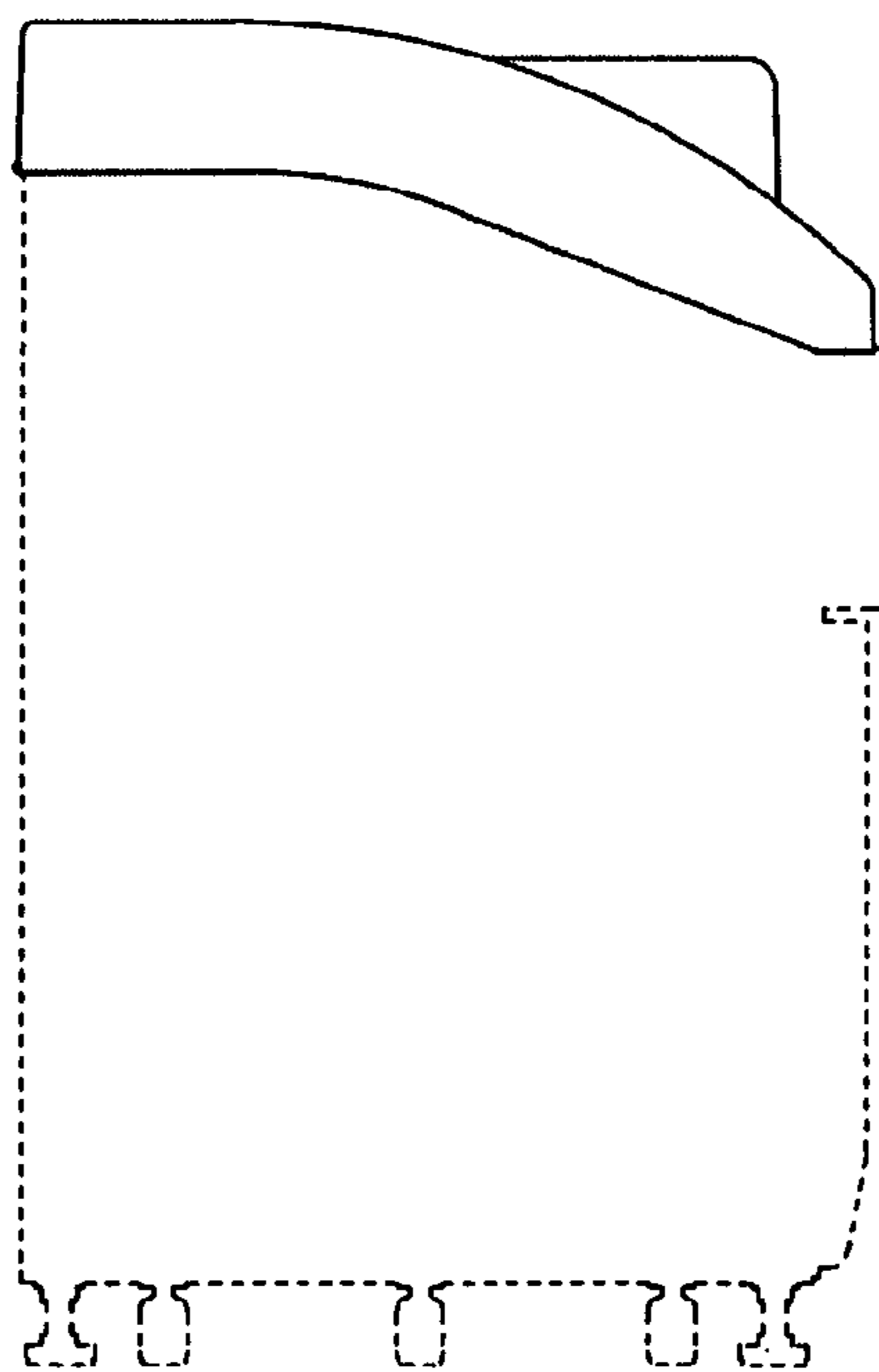


FIG.7

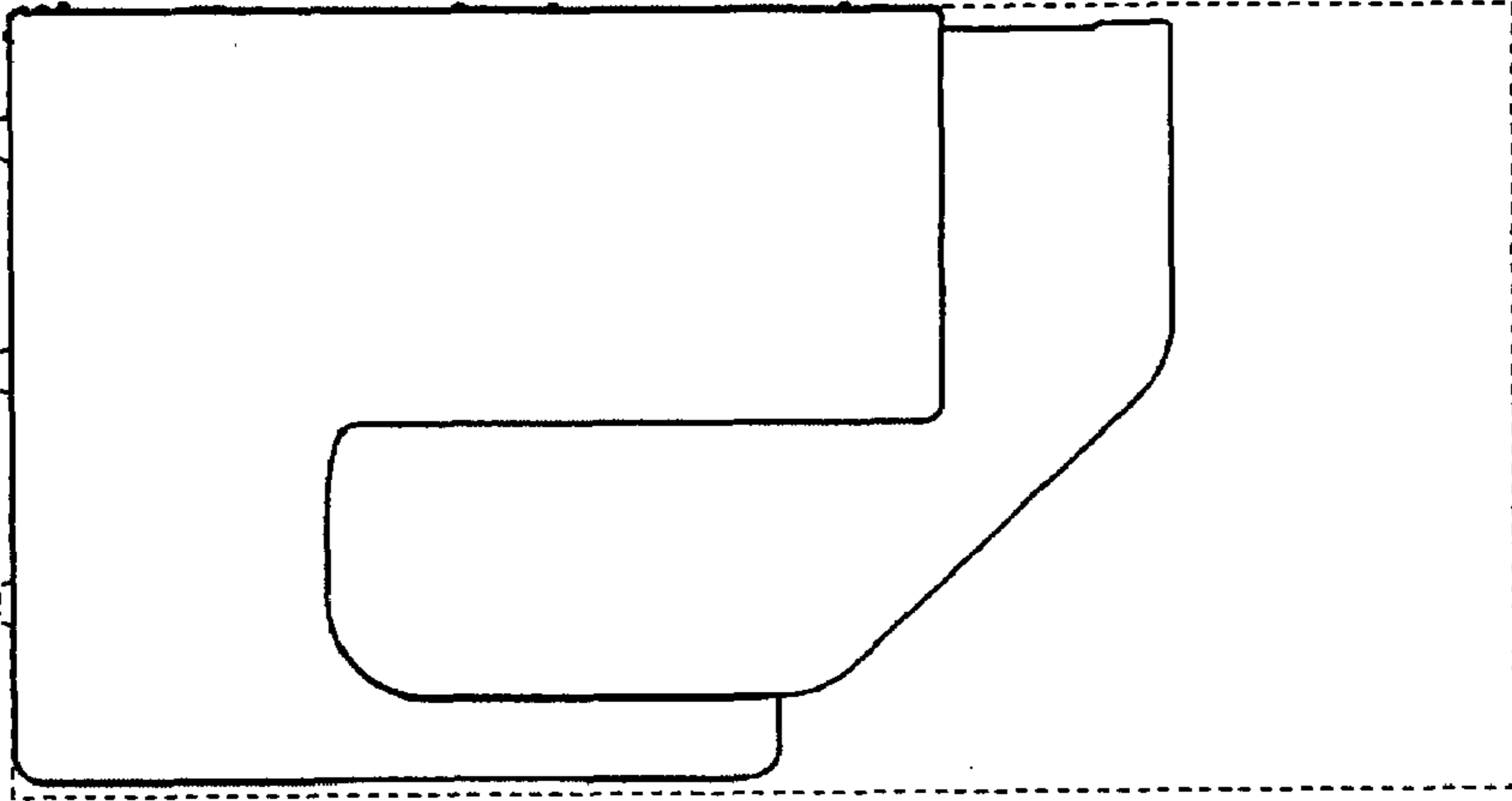


FIG.8

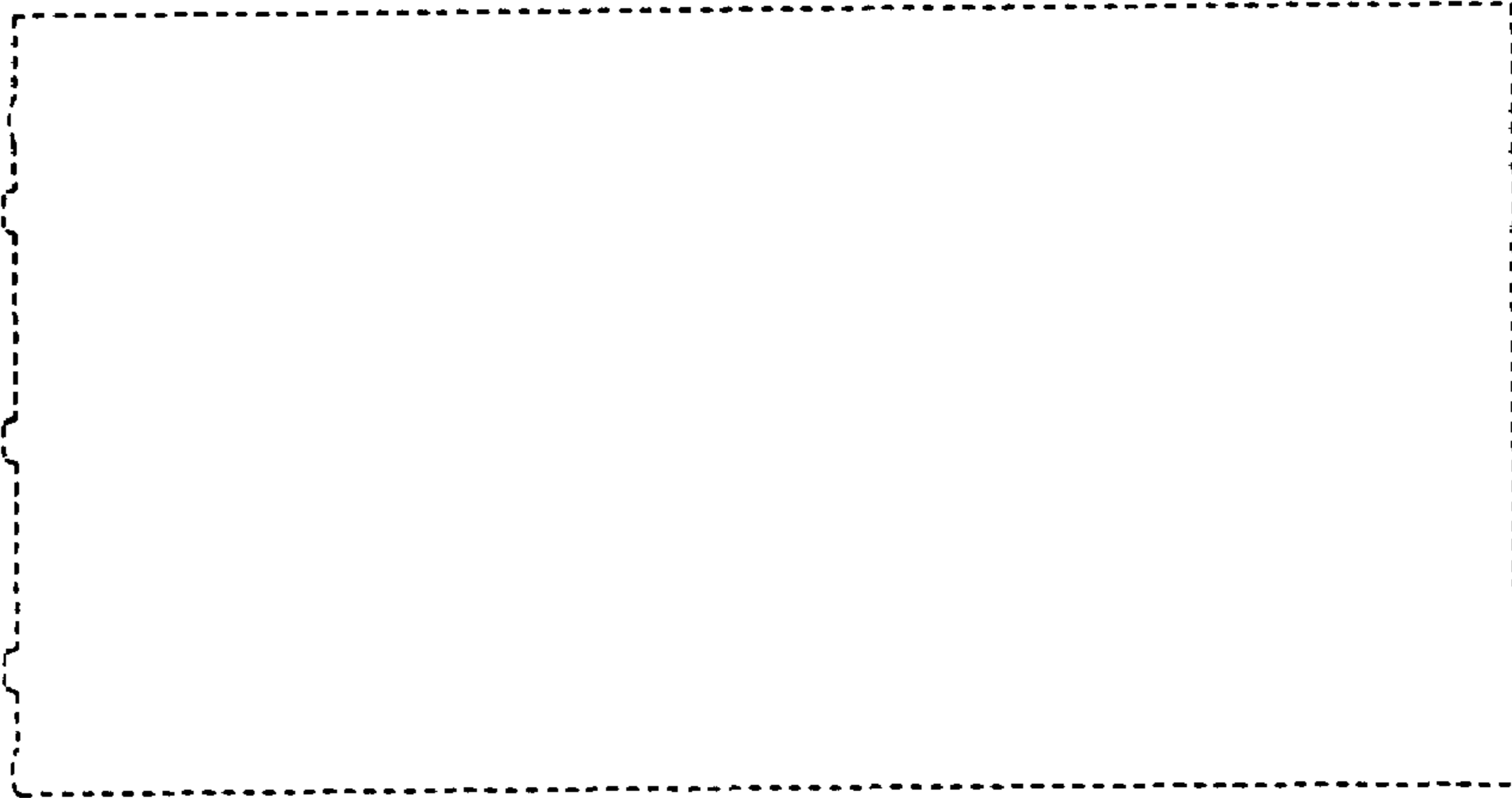


FIG.9

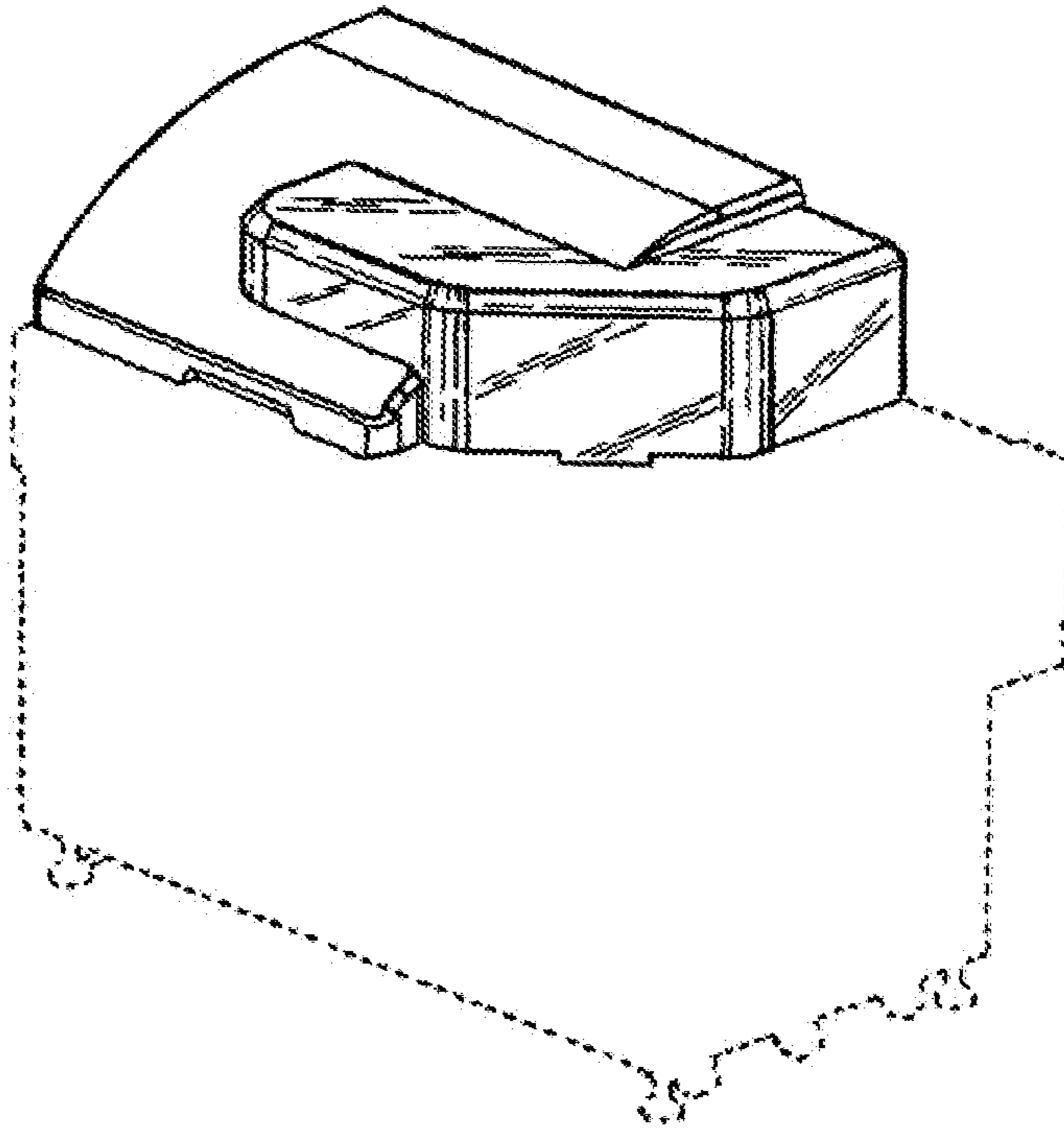


FIG.10

