



US00D610258S

(12) **United States Design Patent**
Robinson

(10) **Patent No.:** **US D610,258 S**

(45) **Date of Patent:** **** Feb. 16, 2010**

(54) **ROTATIONAL ATHERECTOMY ABRASIVE CROWN**

(75) Inventor: **Paul J. Robinson**, Mahtomedi, MN (US)

(73) Assignee: **Cardiovascular Systems, Inc.**, St. Paul, MN (US)

(**) Term: **14 Years**

(21) Appl. No.: **29/298,320**

(22) Filed: **Dec. 3, 2007**

(51) **LOC (9) Cl.** **24-02**

(52) **U.S. Cl.** **D24/146**

(58) **Field of Classification Search** D24/133,
D24/112, 113, 128, 129, 130, 143; 600/37,
600/434; 604/93.01, 95.05, 164.1, 905, 528,
604/159, 171, 198, 263, 22; 606/159, 115,
606/170, 177, 179, 180

See application file for complete search history.

(56) **References Cited**

U.S. PATENT DOCUMENTS

- 4,726,369 A * 2/1988 Mar 606/1
- 4,829,999 A * 5/1989 Auth 606/1
- 5,112,299 A * 5/1992 Pascaloff 604/22
- 5,137,288 A * 8/1992 Starkey et al. 279/42
- 5,161,534 A * 11/1992 Berthiaume 600/434

- 5,197,956 A * 3/1993 Brizuela 604/171
- 5,423,331 A * 6/1995 Wysham 600/585
- 5,474,532 A * 12/1995 Steppe 604/22
- 5,873,882 A * 2/1999 Straub et al. 606/159
- 6,030,349 A * 2/2000 Wilson et al. 600/585
- 2006/0142793 A9* 6/2006 Prudnikov et al. 606/159

* cited by examiner

Primary Examiner—Ian Simmons

Assistant Examiner—Christopher Lee

(74) *Attorney, Agent, or Firm*—Altera Law Group, LLC

(57) **CLAIM**

The ornamental design for a rotational atherectomy abrasive crown, as shown and described.

DESCRIPTION

FIG. 1 is a perspective view of the rotational atherectomy abrasive crown.

FIG. 2 is a left side view thereof.

FIG. 3 is a right side view thereof.

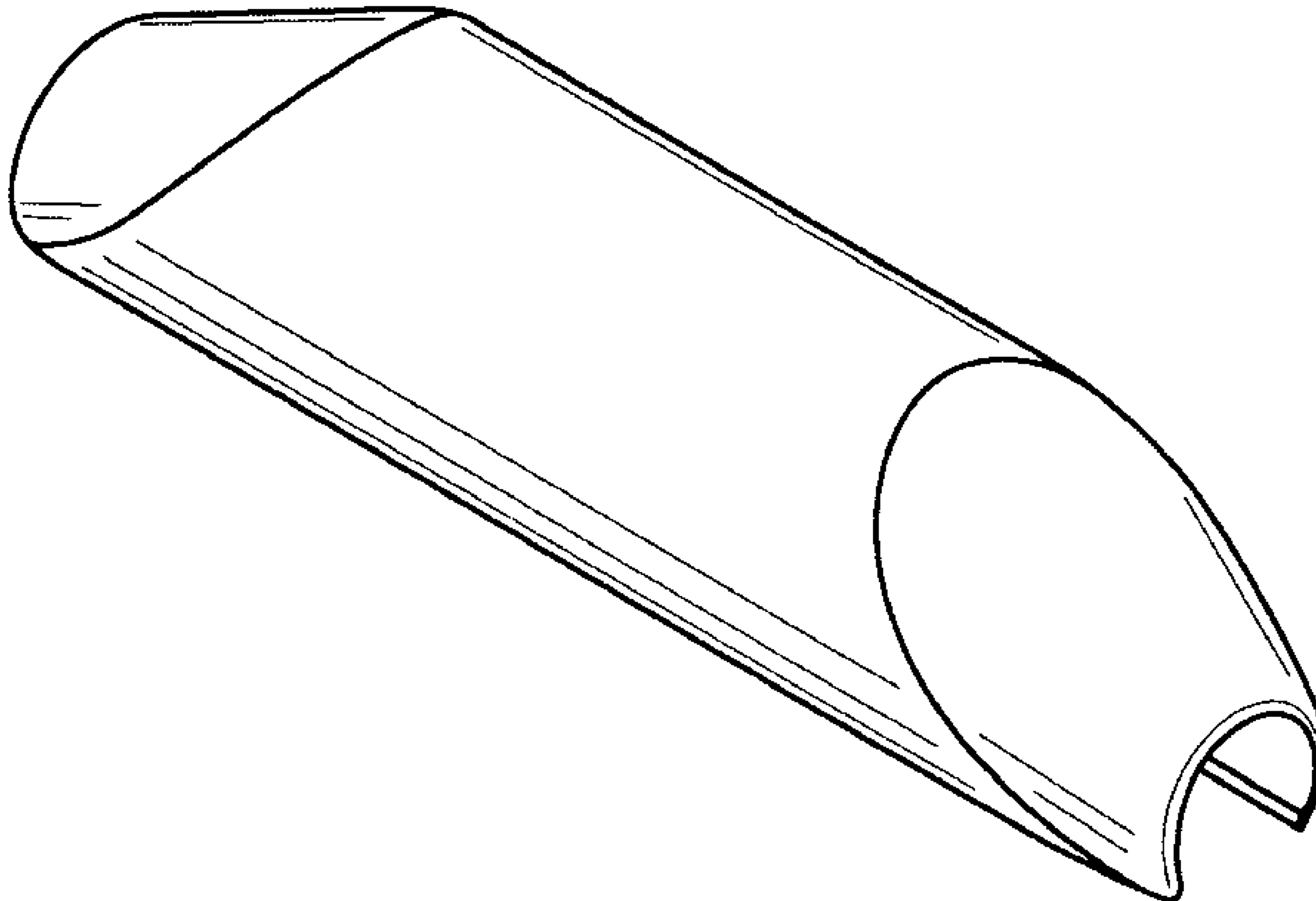
FIG. 4 is a top view thereof.

FIG. 5 is a bottom view thereof.

FIG. 6 is a front view thereof; and,

FIG. 7 is a rear view thereof.

1 Claim, 2 Drawing Sheets



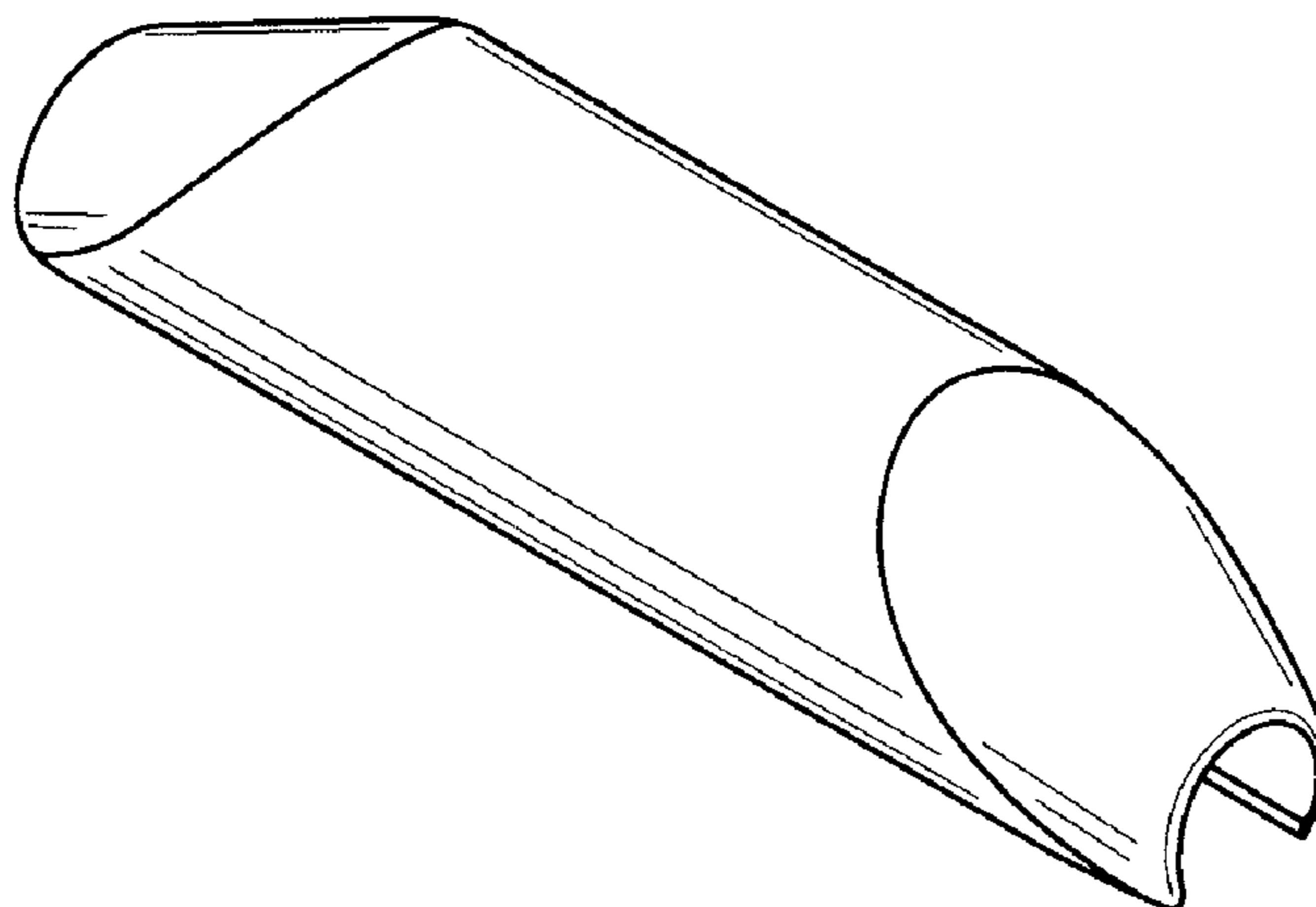


Fig. 1

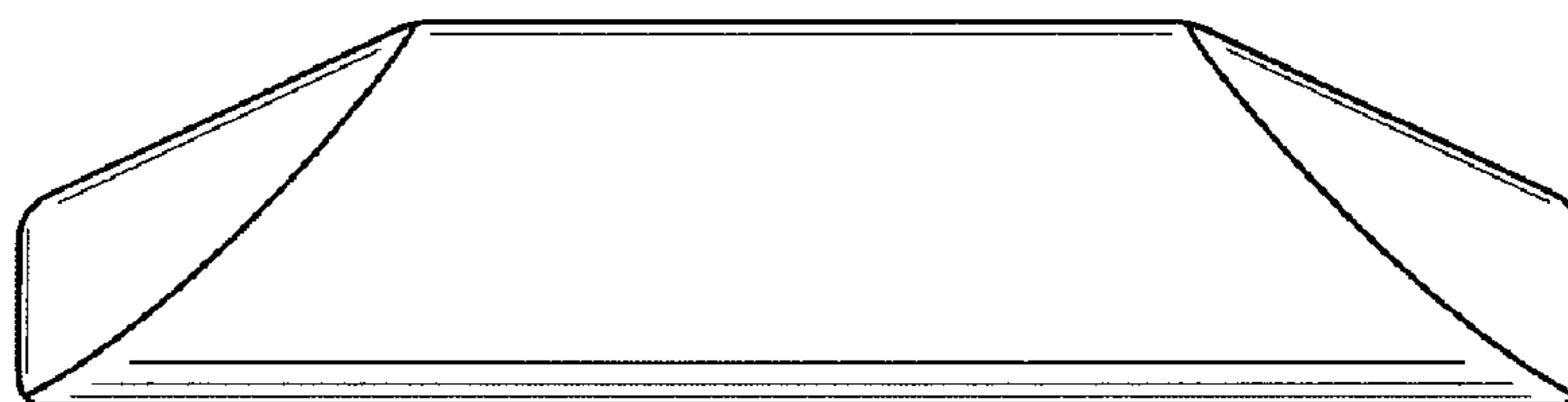


Fig. 2

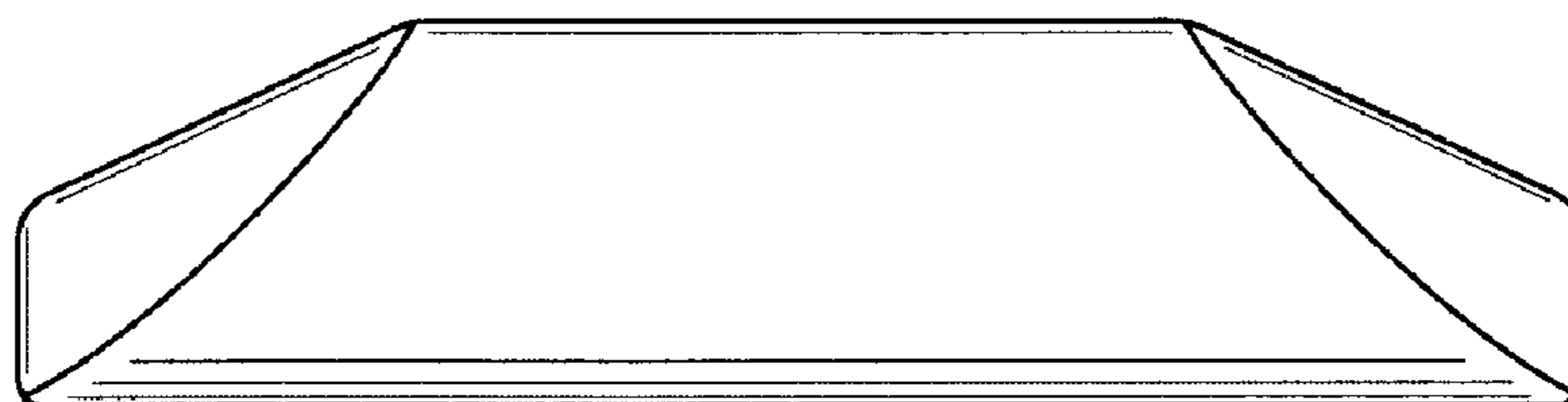


Fig. 3

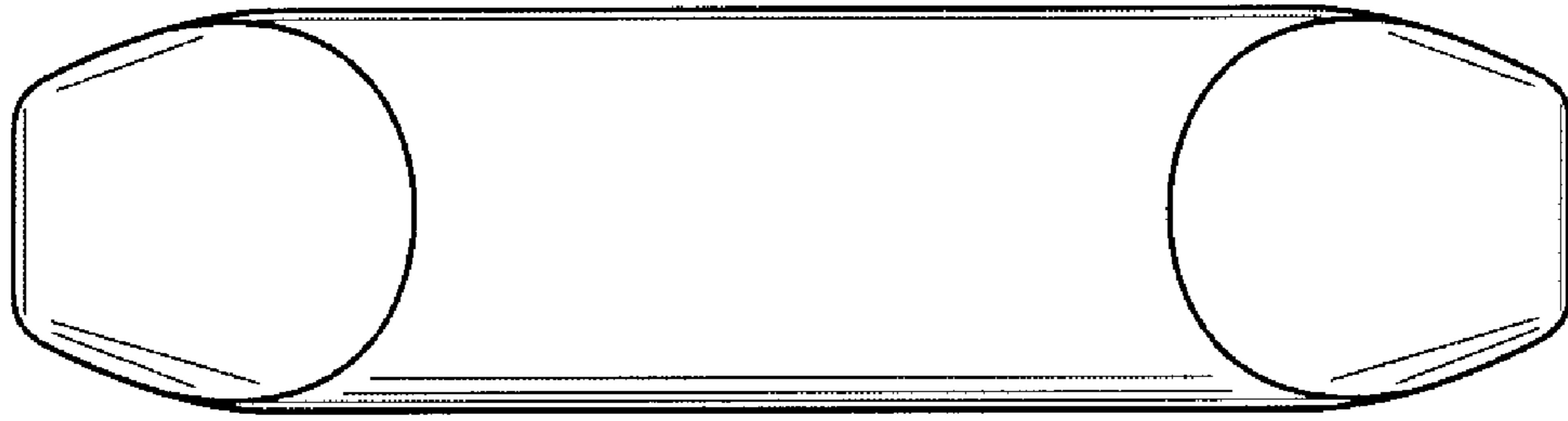


Fig. 4

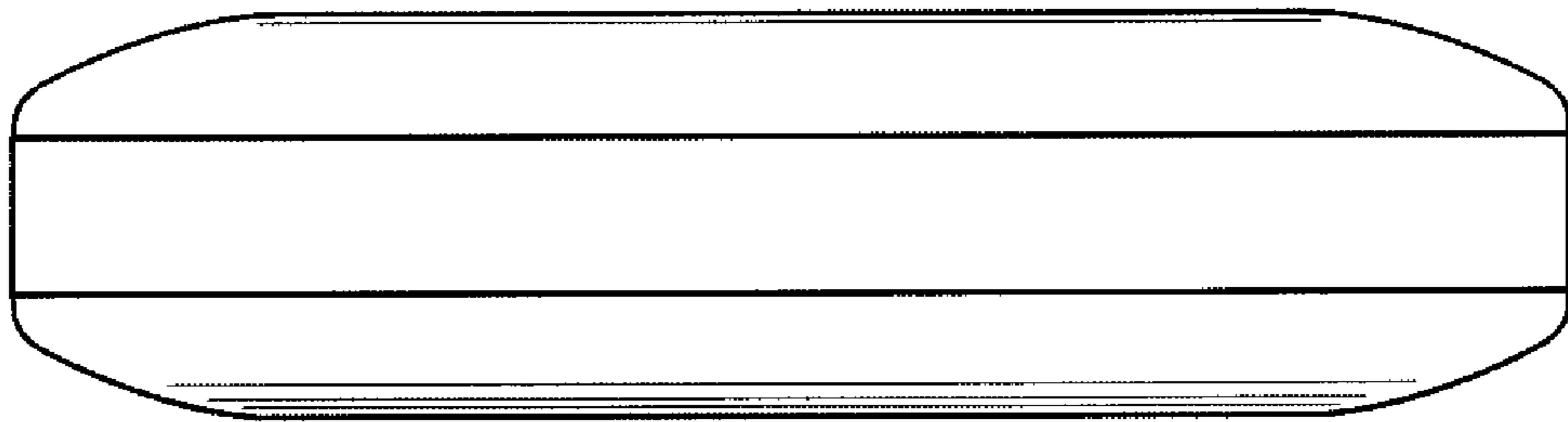


Fig. 5

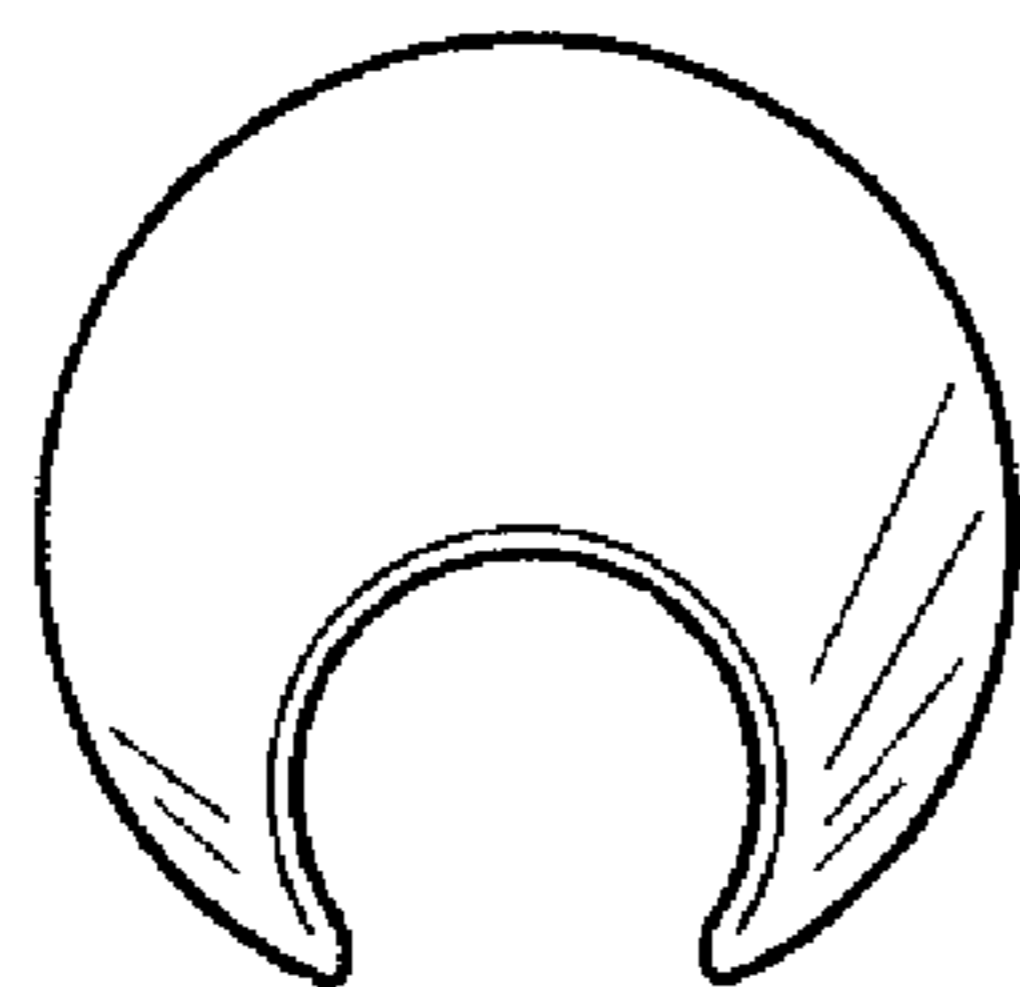


Fig. 6

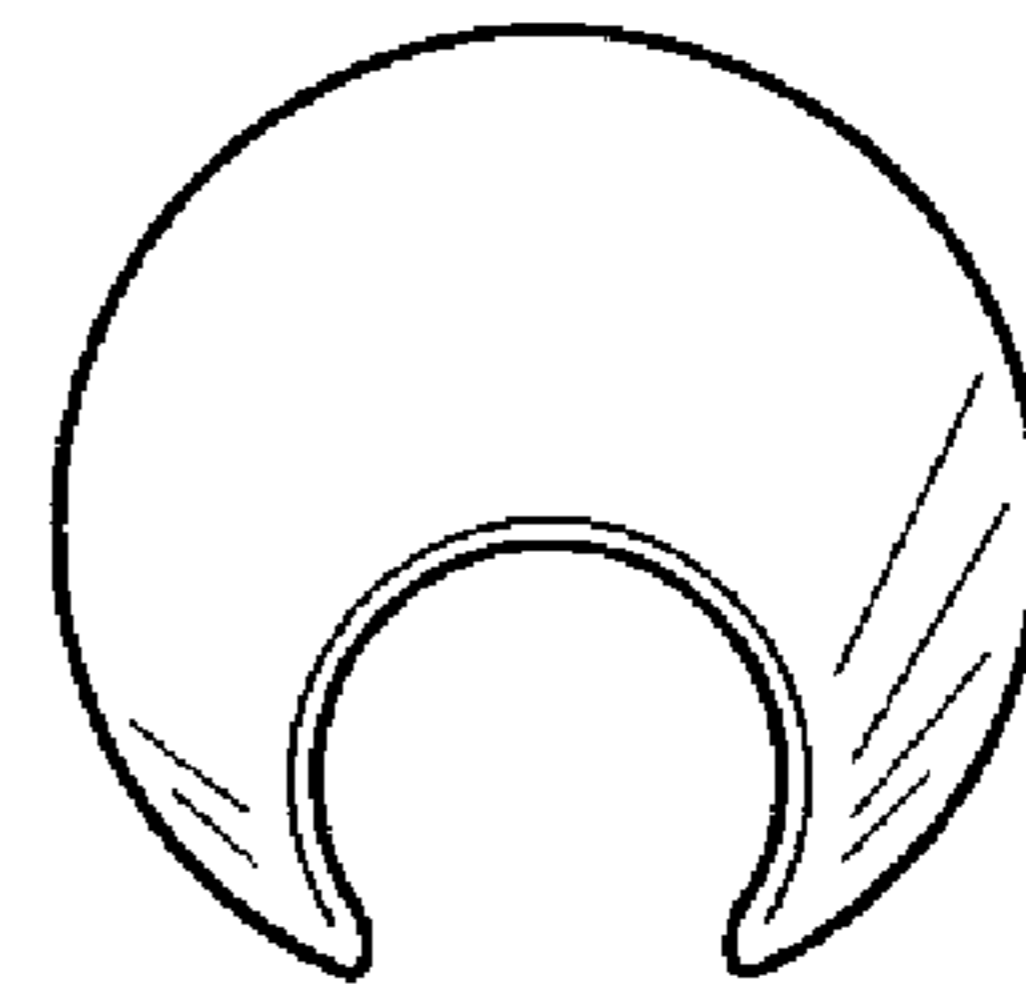


Fig. 7