



US00D610257S

(12) **United States Design Patent**
Horton

(10) **Patent No.:** **US D610,257 S**

(45) **Date of Patent:** **** Feb. 16, 2010**

(54) **SURGICAL DRILL GUIDE**

(76) **Inventor:** **Kenneth L. Horton**, 327 Shades Crest Rd., Birmingham, AL (US) 35226

(**) **Term:** **14 Years**

(21) **Appl. No.:** **29/329,539**

(22) **Filed:** **Dec. 17, 2008**

(51) **LOC (9) Cl.** **24-02**

(52) **U.S. Cl.** **D24/140**

(58) **Field of Classification Search** D24/133,
D24/135, 112, 146, 140; D15/132, 138-139;
606/87-89, 96-98, 102, 167, 170

See application file for complete search history.

(56) **References Cited**

U.S. PATENT DOCUMENTS

D264,834 S *	6/1982	Main	D10/71
4,501,269 A	2/1985	Bagby		
4,581,962 A	4/1986	Marbourg		
5,015,247 A	5/1991	Michelson		
5,306,307 A	4/1994	Senter et al.		
5,484,437 A	1/1996	Michelson		
5,489,307 A	2/1996	Kuslich et al.		
5,593,409 A	1/1997	Michelson		
5,741,253 A	4/1998	Michelson		
5,741,261 A	4/1998	Moskovitz et al.		
5,860,973 A	1/1999	Michelson		
5,954,635 A	9/1999	Foley et al.		
6,042,582 A	3/2000	Ray		
6,080,155 A	6/2000	Michelson		
6,210,412 B1	4/2001	Michelson		
6,371,988 B1	4/2002	Pafford et al.		
6,485,518 B1	11/2002	Cornwall et al.		
6,520,907 B1	2/2003	Foley et al.		
6,540,747 B1	4/2003	Marino		
6,562,046 B2	5/2003	Sasso		
6,579,319 B2	6/2003	Goble et al.		
6,902,578 B1	6/2005	Anderson et al.		
6,923,810 B1	8/2005	Michelson		
6,923,811 B1	8/2005	Carl et al.		
6,942,698 B1	9/2005	Jackson		
7,011,665 B2 *	3/2006	Null et al.	606/99

7,131,974 B2 *	11/2006	Keyer et al.	606/96
7,223,269 B2	5/2007	Chappuis		
D574,495 S	8/2008	Petersen		
D574,957 S	8/2008	Petersen		
D581,538 S	11/2008	Horton		
7,452,369 B2	11/2008	Barry		

(Continued)

FOREIGN PATENT DOCUMENTS

WO 2000/022998 A1 4/2000

(Continued)

OTHER PUBLICATIONS

Stein, M. et al, Percutaneous Facet Joint Fusion: Preliminary Experience, J. Vasc. Interv. Radiol., 1993, Jan-Feb. 4 (1) 69-74.

Primary Examiner—Ian Simmons

Assistant Examiner—Wan Laymon

(74) *Attorney, Agent, or Firm*—Kenneth M. Bush; Bush Intellectual Property Law

(57) **CLAIM**

I claim the ornamental design for a surgical drill guide, as shown and described.

DESCRIPTION

FIG. 1 is a top perspective view of a surgical drill guide showing my new design;

FIG. 2 is a bottom perspective view thereof;

FIG. 3 is a front elevational view thereof;

FIG. 4 is a rear elevational view thereof;

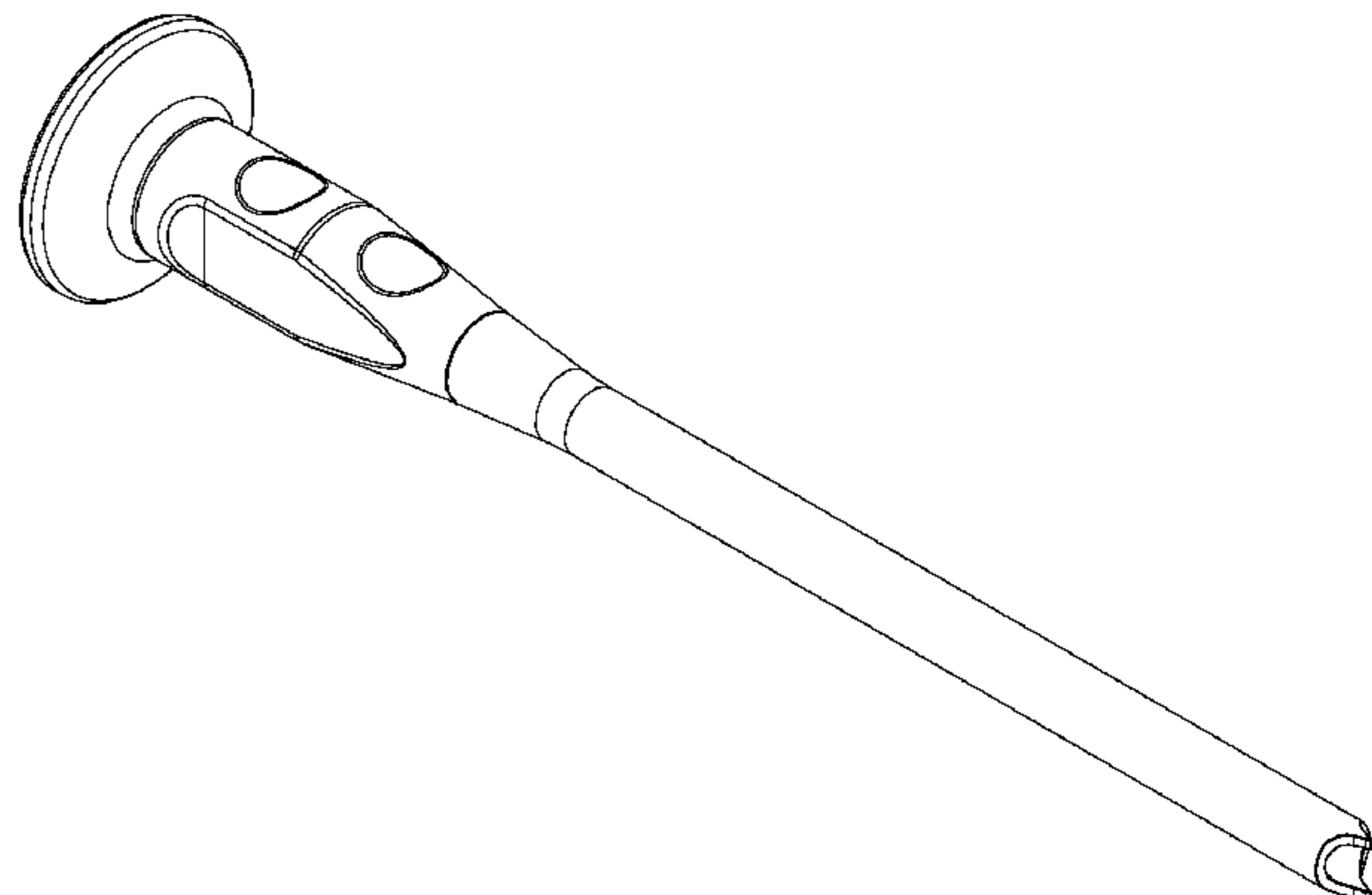
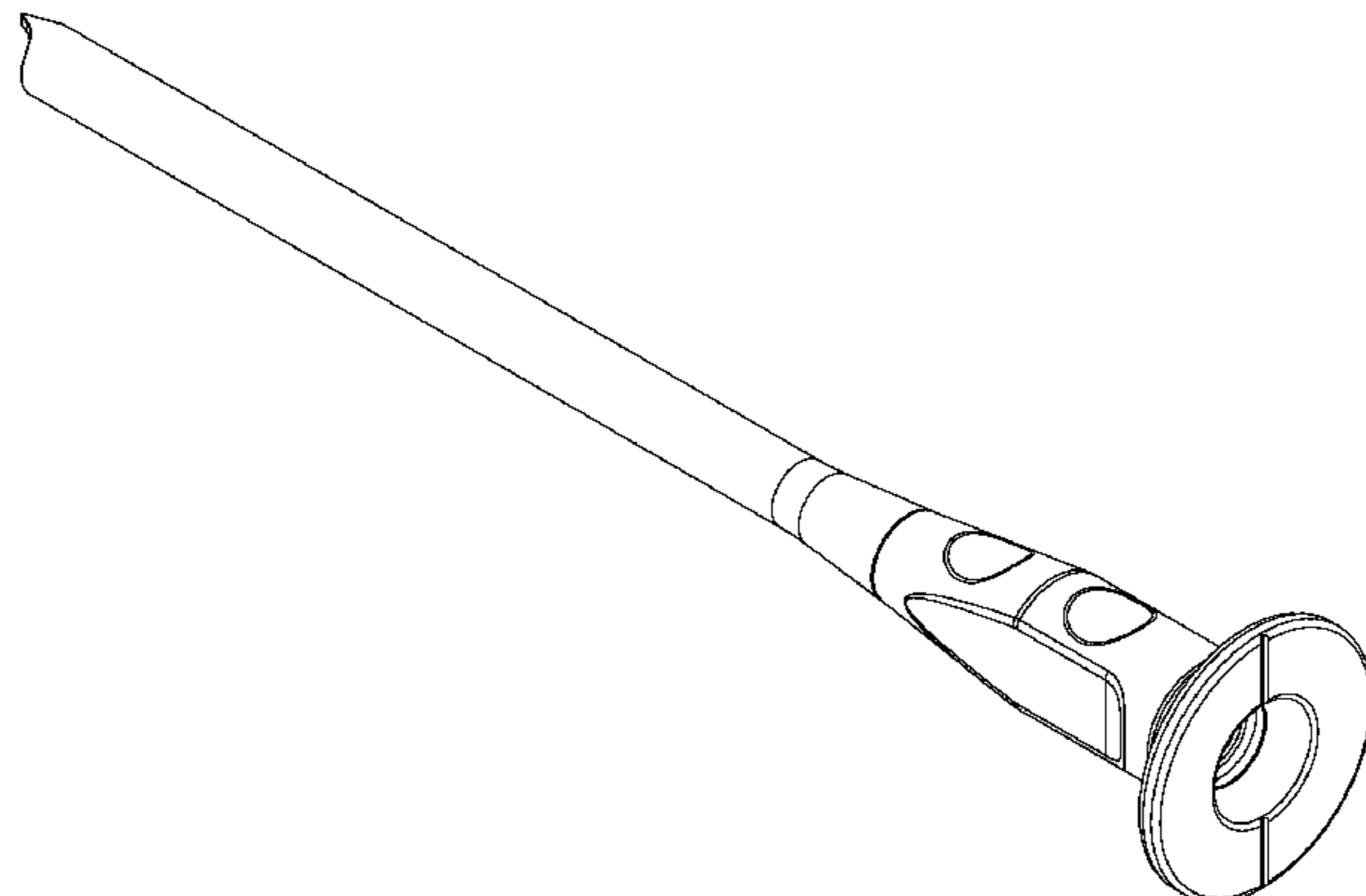
FIG. 5 is a right side elevational view thereof;

FIG. 6 is a left side elevational view thereof;

FIG. 7 is a top plan view thereof; and,

FIG. 8 is a bottom plan view thereof.

1 Claim, 3 Drawing Sheets



US D610,257 S

Page 2

U.S. PATENT DOCUMENTS

D600,346 S * 9/2009 Petersen D24/140
2004/0087948 A1 5/2004 Suddaby
2004/0143268 A1 7/2004 Falahee
2004/0215344 A1 10/2004 Hochschuler et al.
2005/0015150 A1 1/2005 Lee
2005/0065516 A1 3/2005 Jahng
2005/0149030 A1 7/2005 Serhan et al.
2006/0036264 A1 2/2006 Selover et al.
2006/0064099 A1 3/2006 Pavlov et al.

2006/0111779 A1 5/2006 Petersen
2006/0111782 A1 5/2006 Petersen
2007/0250166 A1 10/2007 McKay
2008/0255667 A1 10/2008 Horton
2009/0131986 A1 5/2009 Lee et al.

FOREIGN PATENT DOCUMENTS

WO 2007/120903 A2 10/2007

* cited by examiner

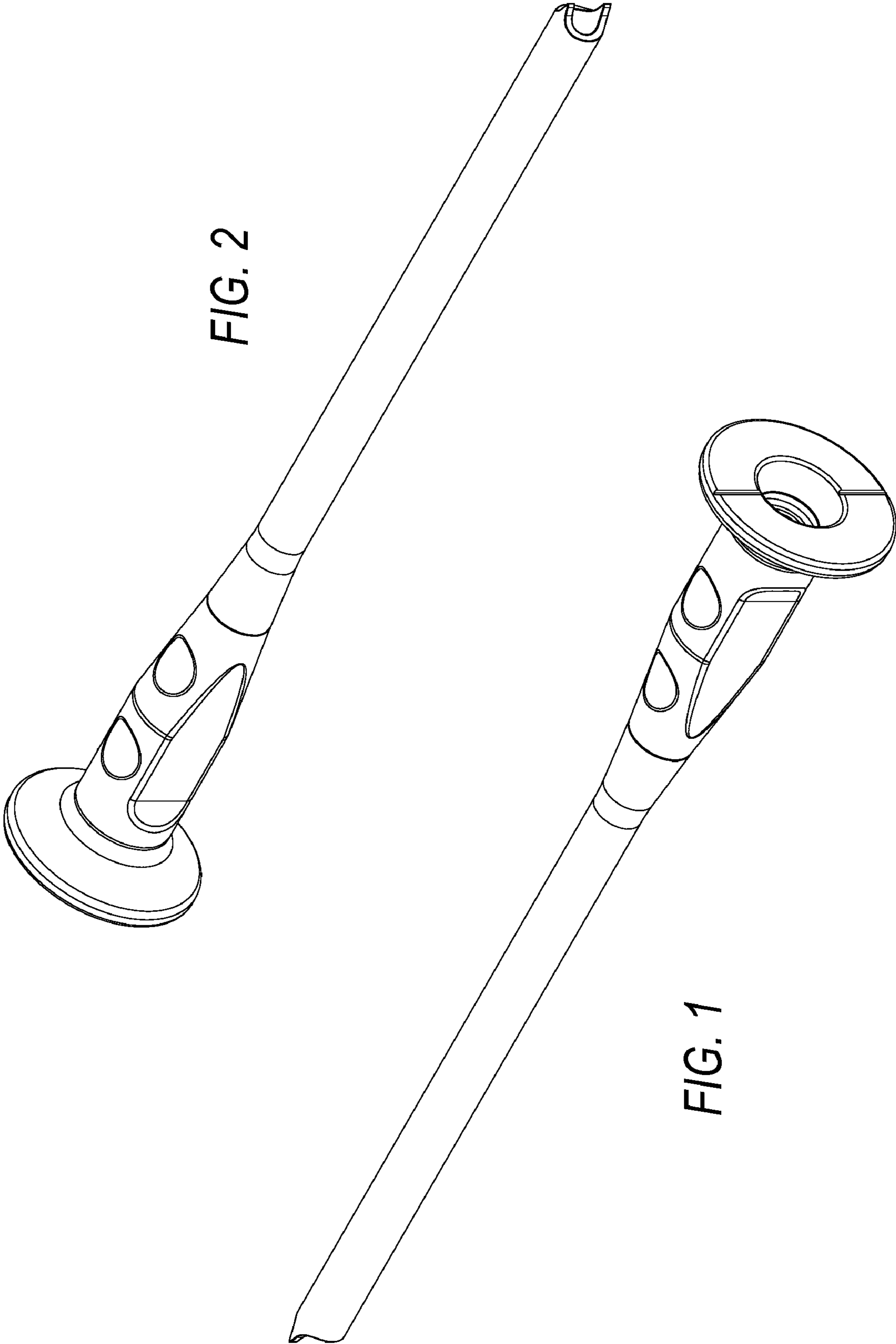


FIG. 2

FIG. 1

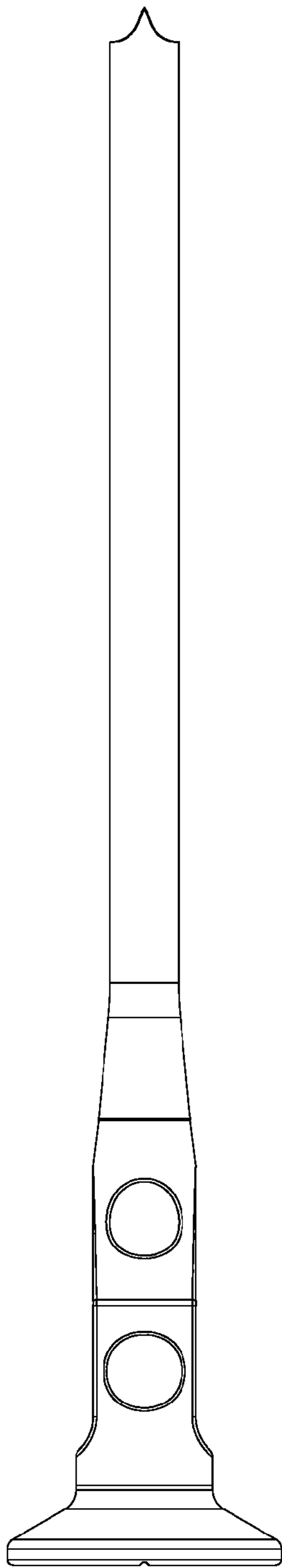


FIG. 3

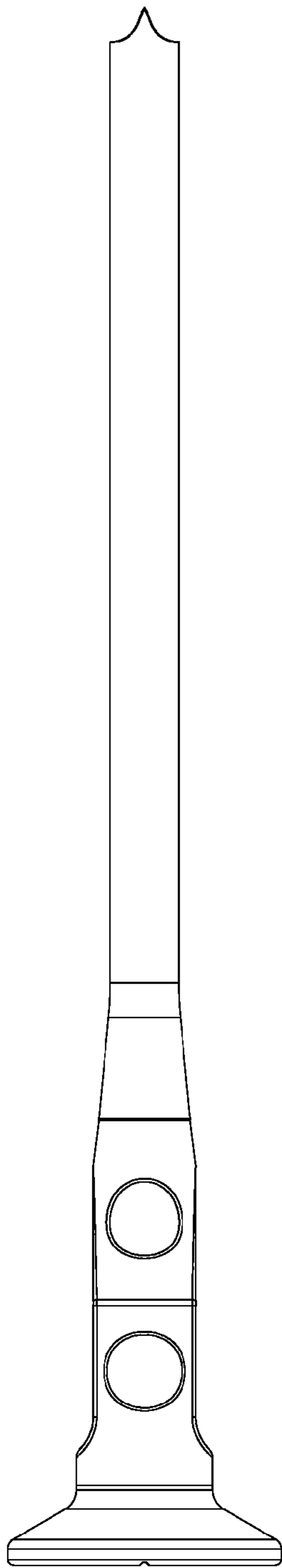


FIG. 4

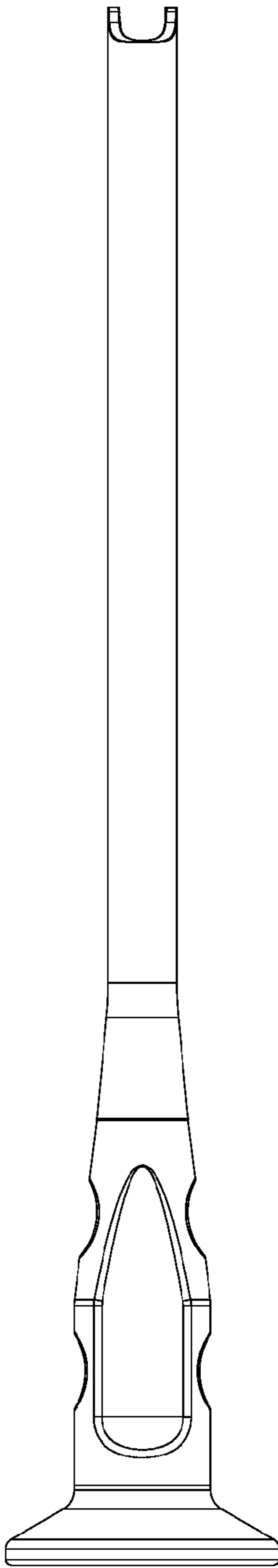


FIG. 5

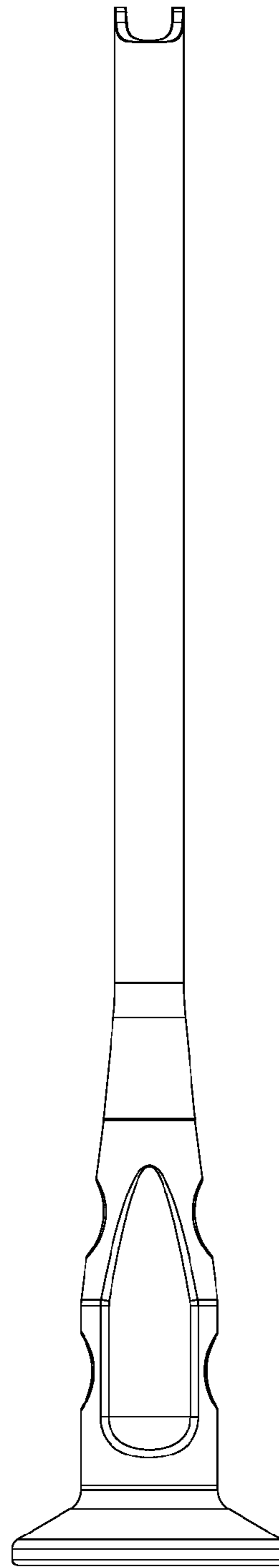


FIG. 6

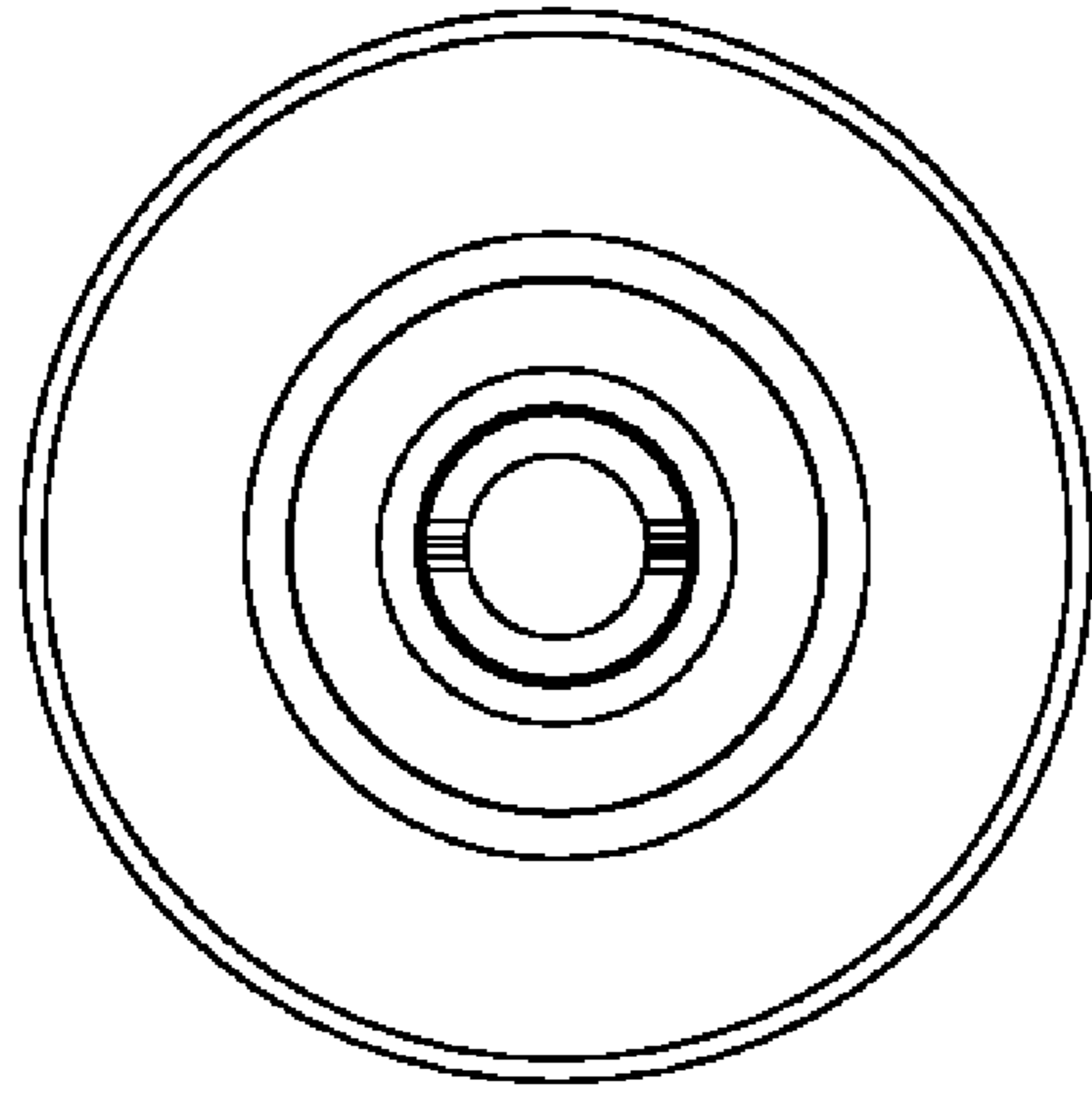


FIG. 7

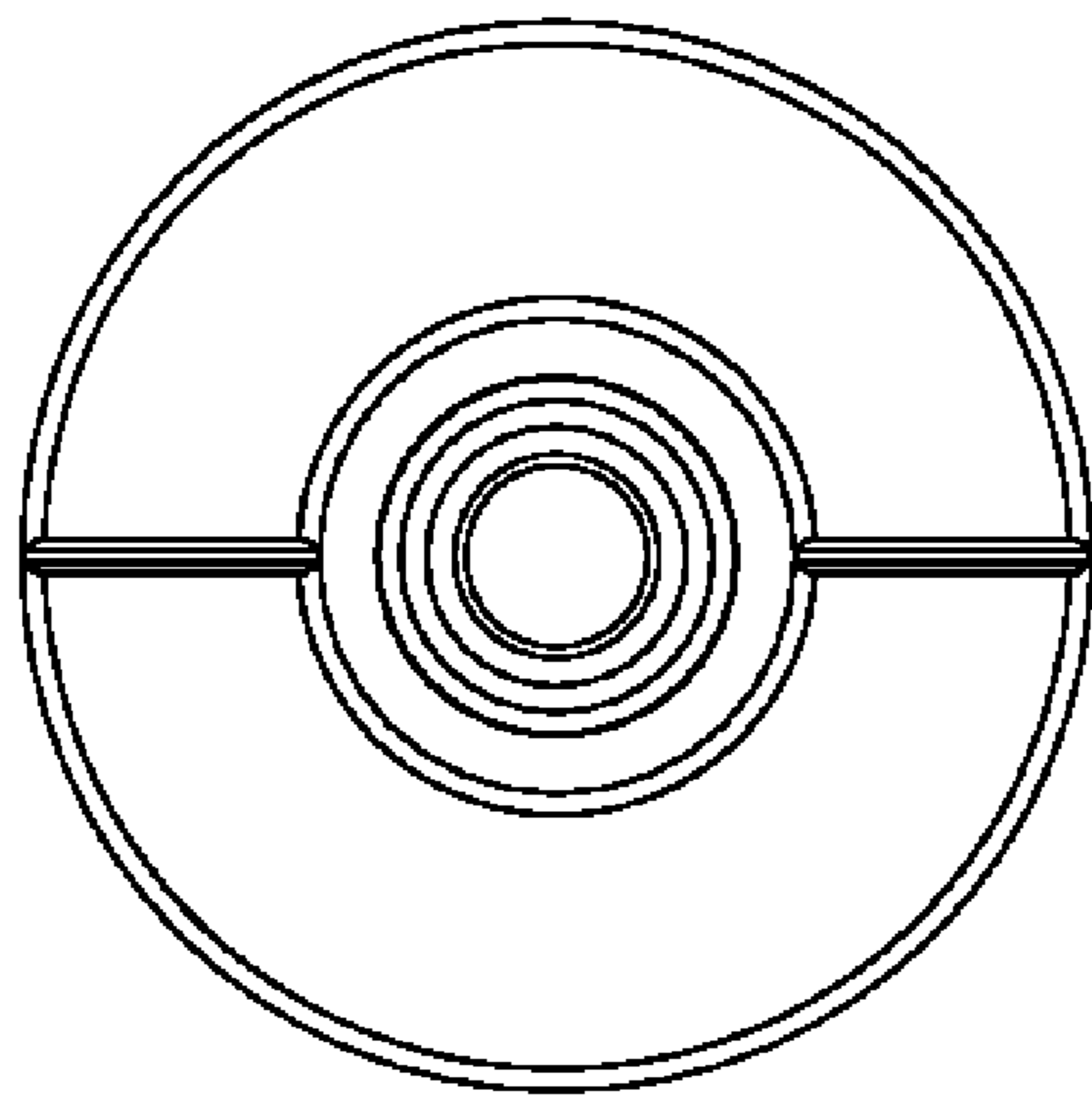


FIG. 8