



US00D610254S

(12) **United States Design Patent**
Huff

(10) **Patent No.:** **US D610,254 S**

(45) **Date of Patent:** **** Feb. 16, 2010**

(54) **DRUG TESTING CUP WITH HANDLE AND ANGLED BASE**

(76) Inventor: **Blane Huff**, 117 E. Drake Rd., Suite 1, Fort Collins, CO (US) 80525

(**) Term: **14 Years**

(21) Appl. No.: **29/338,498**

(22) Filed: **Jun. 12, 2009**

Related U.S. Application Data

(63) Continuation-in-part of application No. 11/233,866, filed on Sep. 22, 2005.

(51) **LOC (9) Cl.** **24-04**

(52) **U.S. Cl.** **D24/121**

(58) **Field of Classification Search** D24/121-123, D24/224, 223, 216, 207; 422/58, 102; 604/317, 604/318, 334; 600/573; D9/516, 572; D7/536
See application file for complete search history.

(56) **References Cited**

U.S. PATENT DOCUMENTS

- D247,840 S * 5/1978 Dixon D24/224
- D248,527 S * 7/1978 Bryk D7/536
- D258,311 S * 2/1981 Peterson D24/121
- D334,869 S * 4/1993 Mills D7/536
- D342,784 S * 12/1993 Passiak et al. D24/123
- D357,066 S * 4/1995 Jones et al. D24/122
- D383,851 S * 9/1997 Wong D24/224
- 5,976,895 A 11/1999 Cipkowski
- D435,906 S * 1/2001 Wilkinson et al. D24/121
- 6,379,620 B1 4/2002 Tydings et al.
- D461,098 S * 8/2002 Lin D7/536
- D465,132 S * 11/2002 Janky et al. D7/536
- 6,485,438 B1 11/2002 Minue
- 6,548,019 B1 4/2003 Lee et al.

- D478,166 S * 8/2003 Nilstein D24/122
- 6,719,951 B1 4/2004 Griffith
- 6,730,268 B2 5/2004 Lee et al.
- 6,805,837 B2 10/2004 Tydings
- 6,805,838 B2 10/2004 Tydings
- 7,244,392 B1 7/2007 Konecke
- D552,932 S * 10/2007 Carlson D7/536
- D580,049 S * 11/2008 Tanguay D24/122
- 2002/0085953 A1 7/2002 Parker
- 2002/0169395 A1 11/2002 Huang
- 2002/0179794 A1 12/2002 Yang
- 2003/0021736 A1 1/2003 Wu et al.
- 2003/0099572 A1 5/2003 Ng et al.
- 2003/0190745 A1 10/2003 Galloway et al.

* cited by examiner

Primary Examiner—T. Chase Nelson

Assistant Examiner—David G Muller

(74) *Attorney, Agent, or Firm*—Kirk A. Buhler; Buhler & Associates

(57) **CLAIM**

The ornamental design for a drug testing cup with handle and angled base, as shown and described.

DESCRIPTION

FIG. 1 is a top perspective view for a drug testing cup with handle and angled base showing my new design;

FIG. 2 is a left side view thereof;

FIG. 3 is a right view thereof;

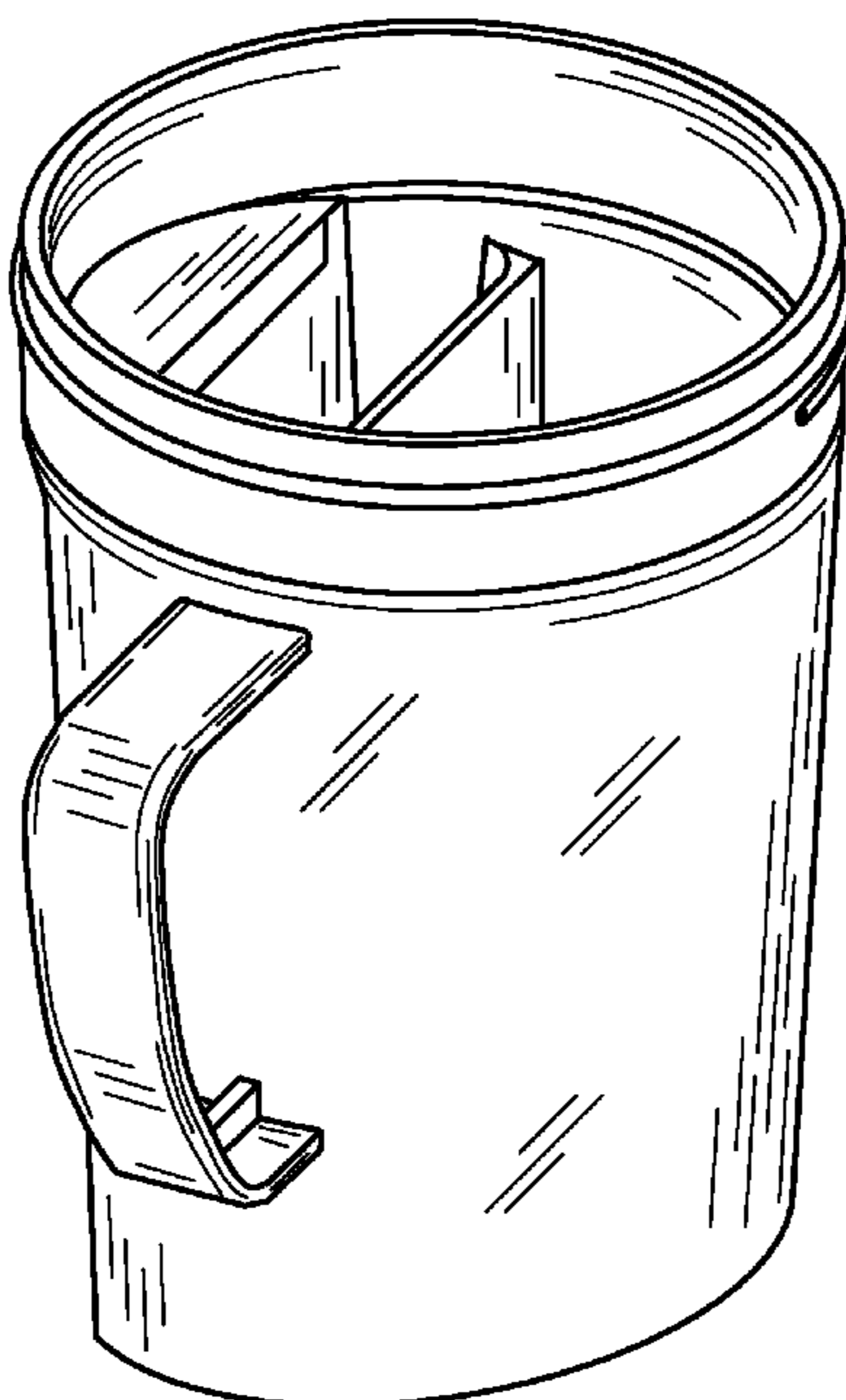
FIG. 4 is a top view thereof;

FIG. 5 is a bottom view thereof;

FIG. 6 is a front view thereof; and,

FIG. 7 is a back view thereof.

1 Claim, 4 Drawing Sheets



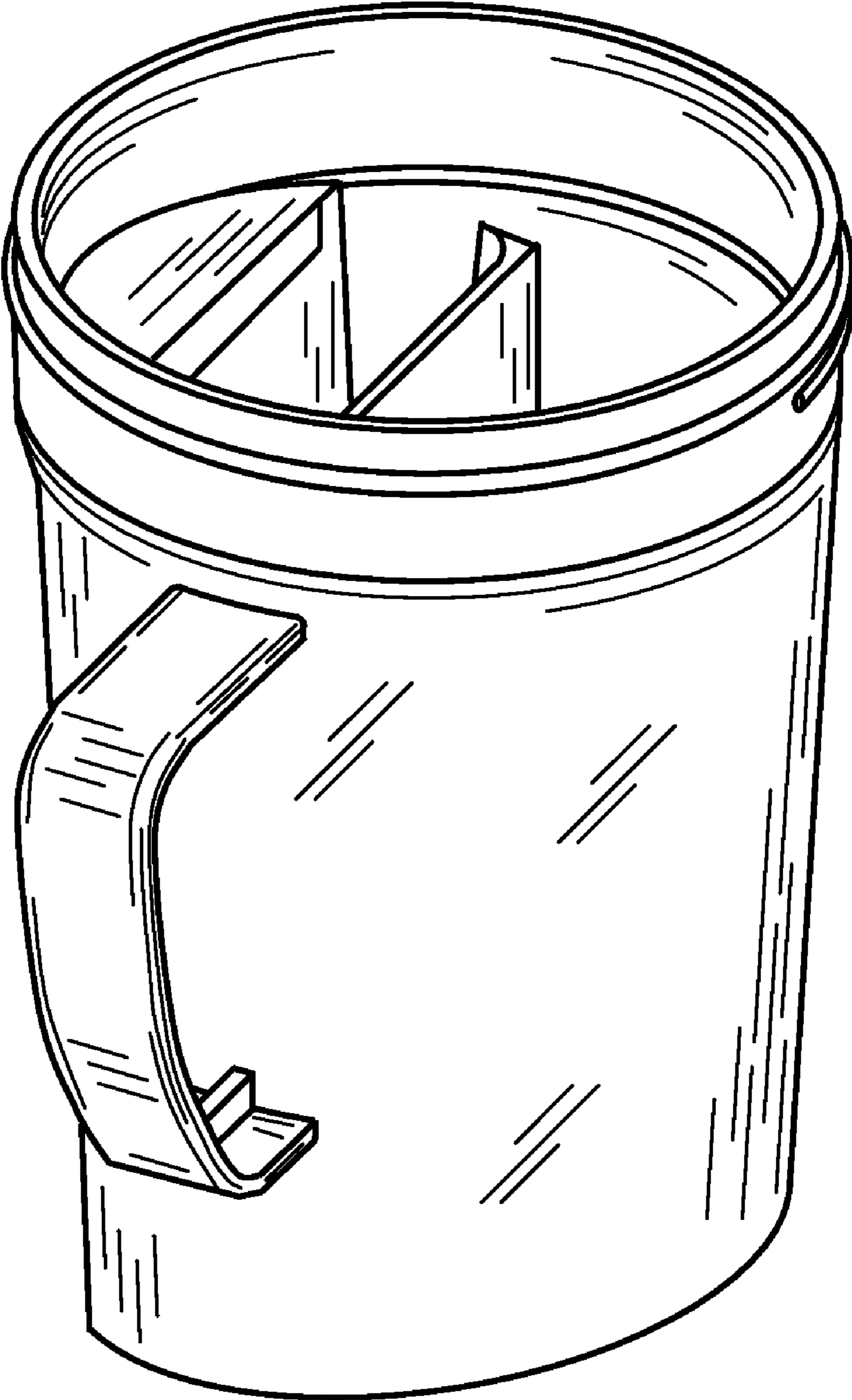


FIG. 1

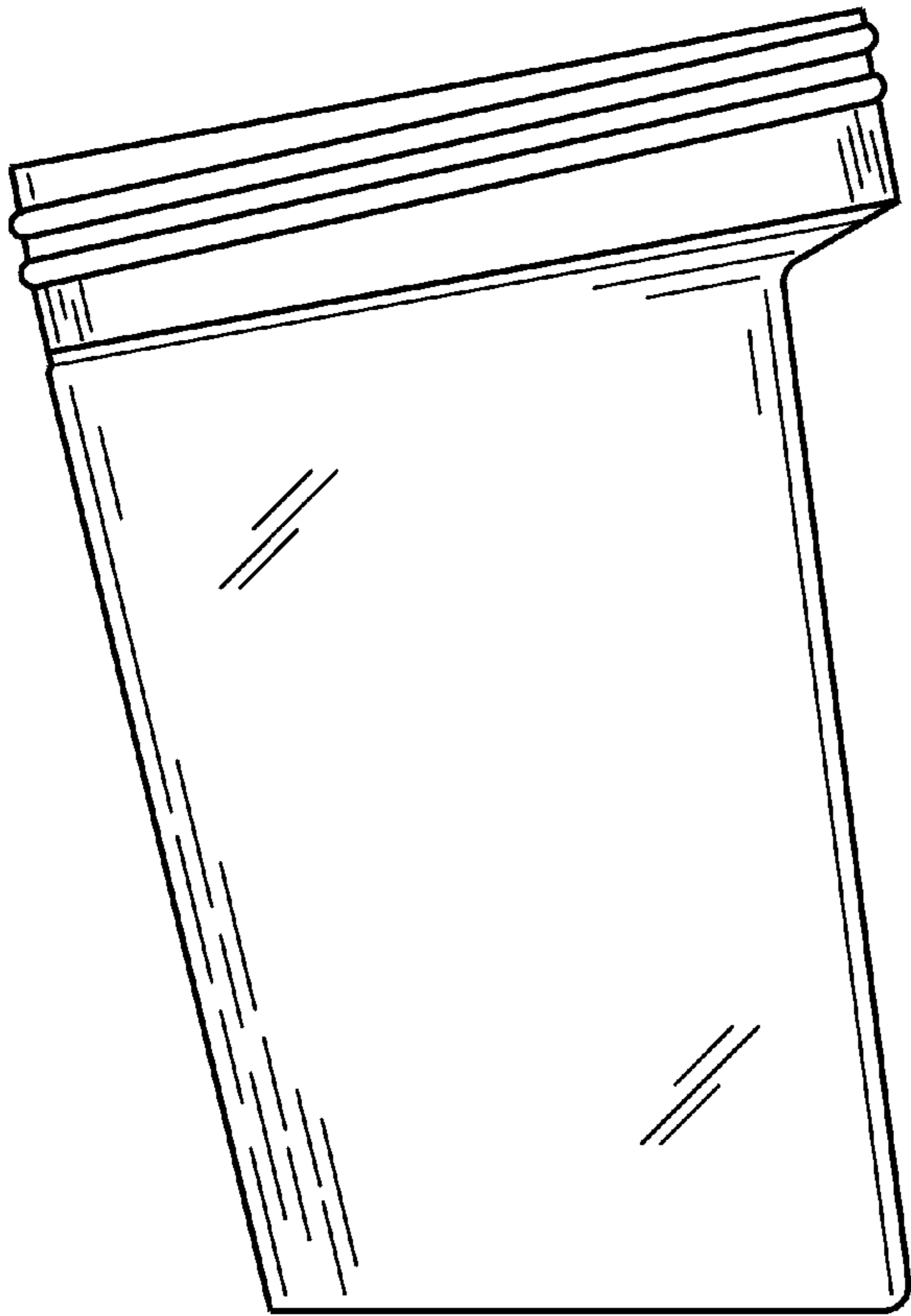


FIG. 2

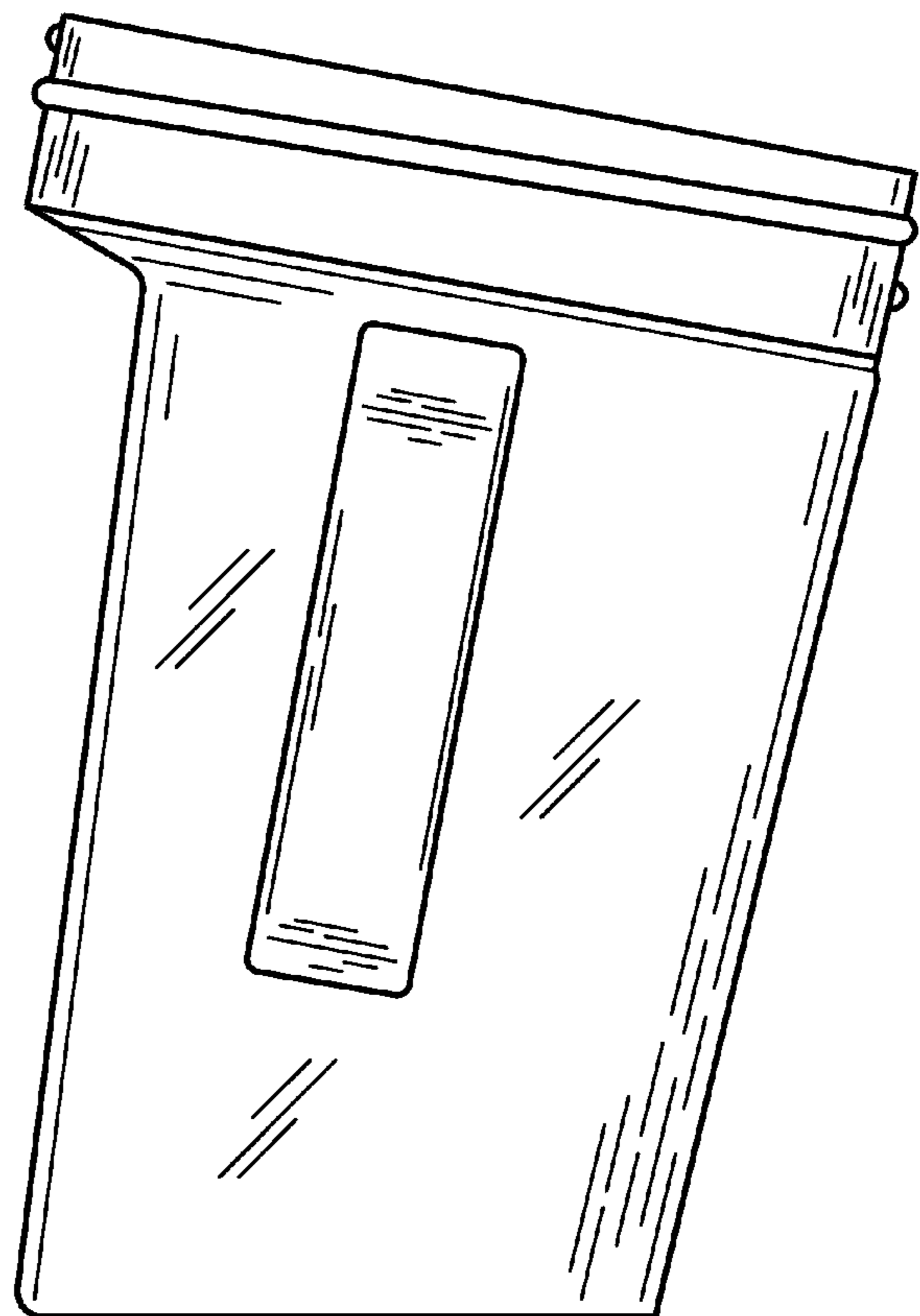


FIG. 3

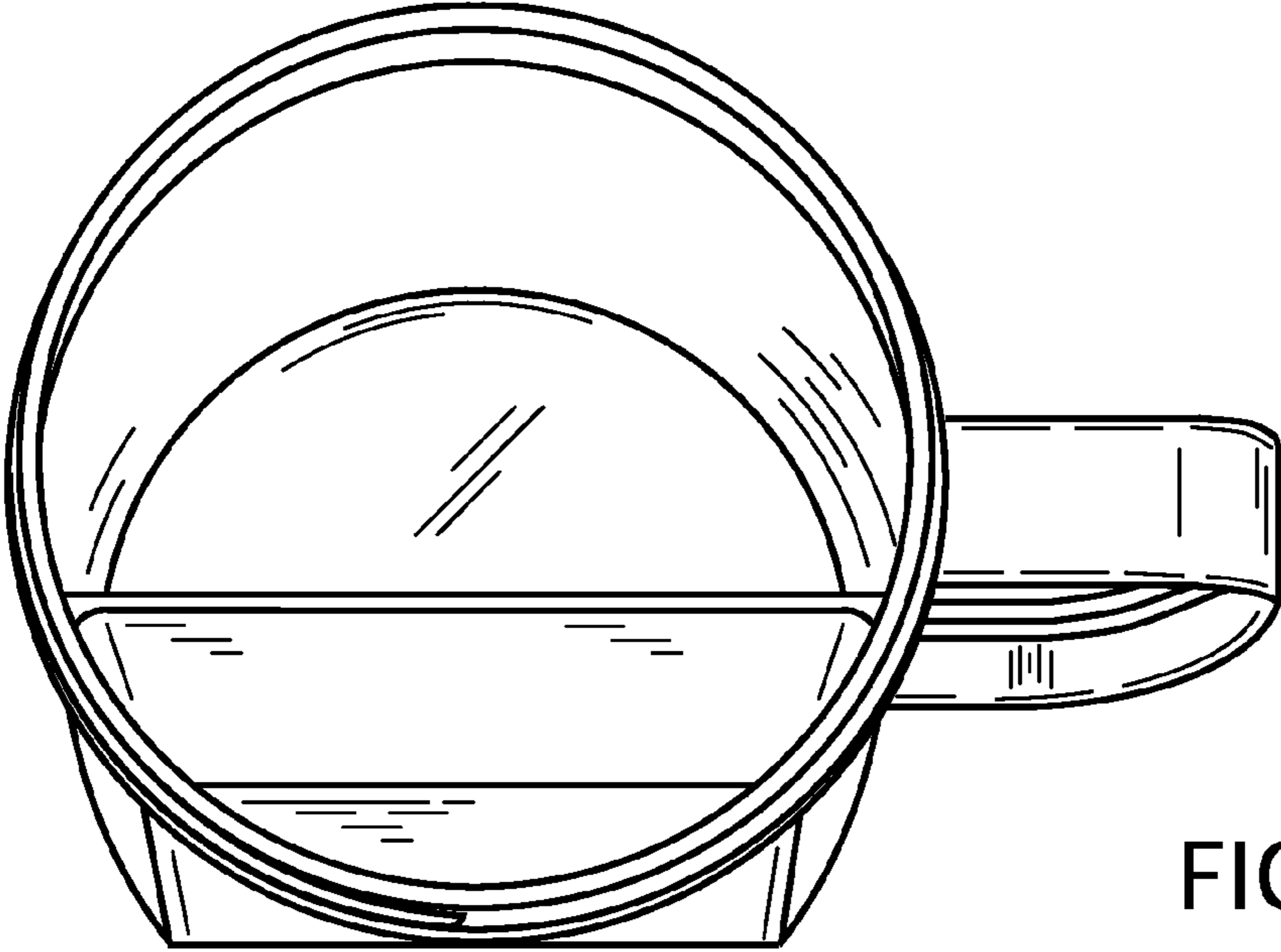


FIG. 4

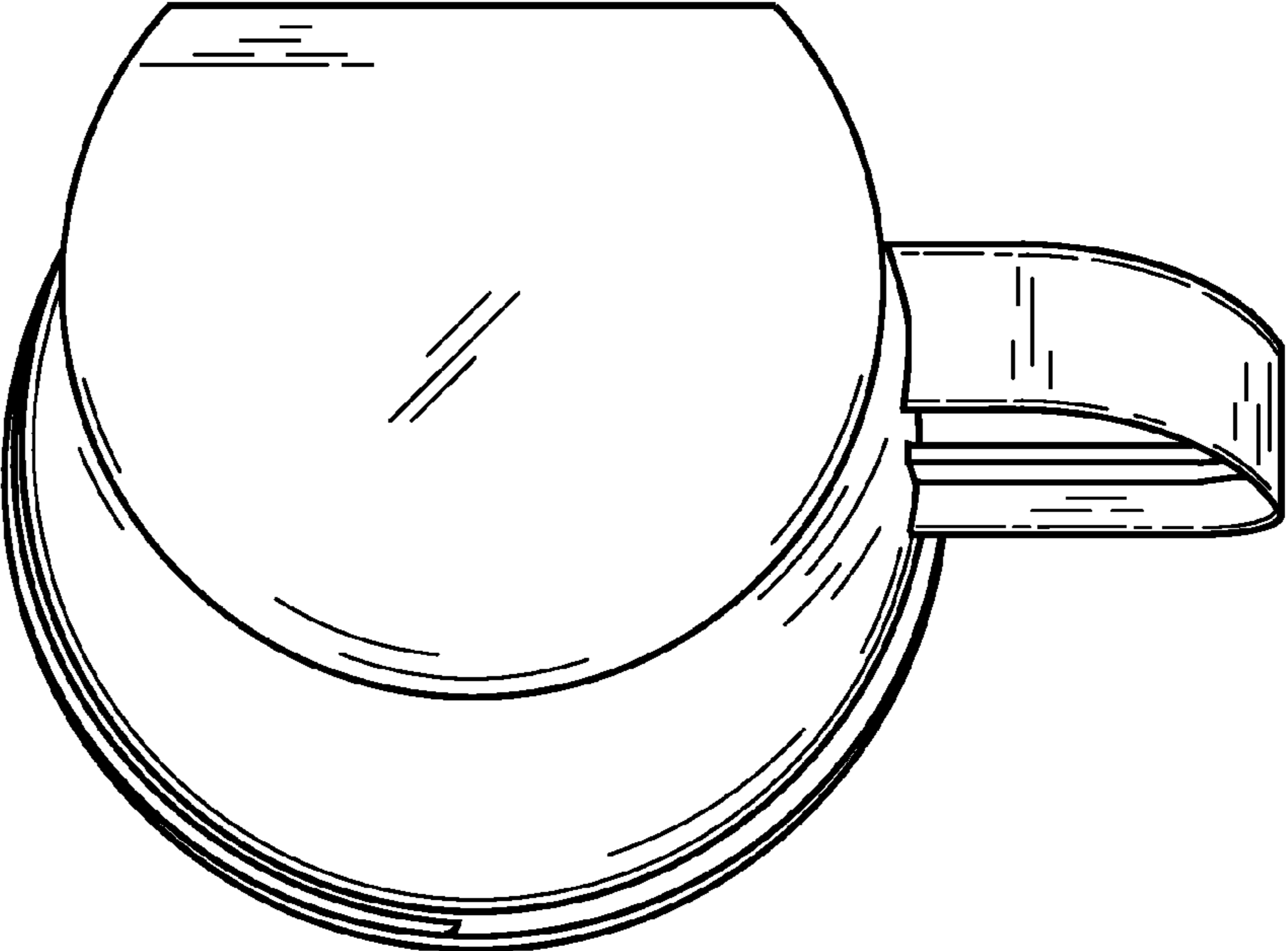


FIG. 5

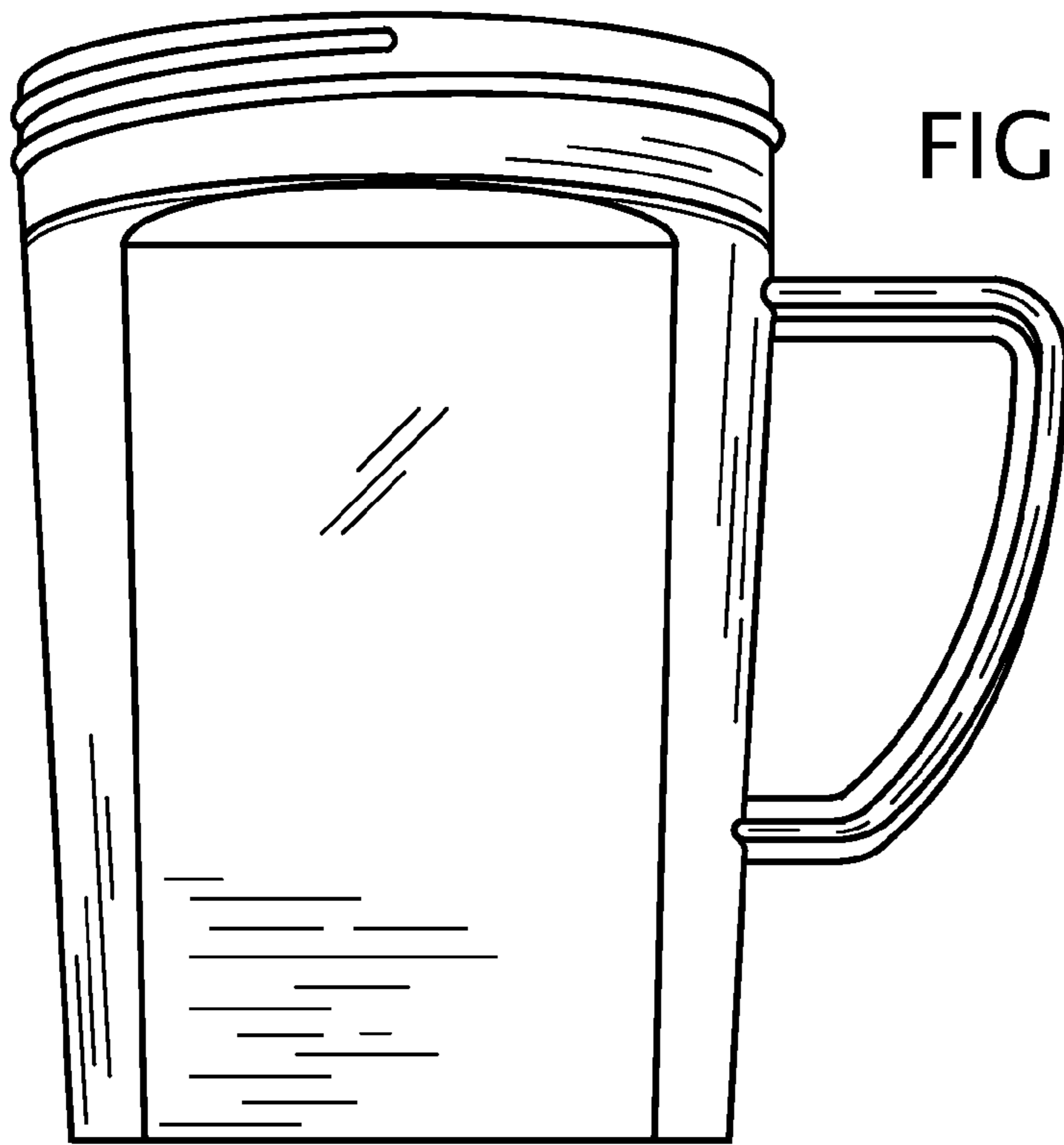


FIG. 6



FIG. 7