



US00D610250S

(12) **United States Design Patent**  
**Neuner**

(10) **Patent No.:** **US D610,250 S**

(45) **Date of Patent:** **\*\* Feb. 16, 2010**

(54) **MASK**

D495,059 S \* 8/2004 Lie ..... D24/203

(76) **Inventor:** **Robert Neuner**, 558 Hoyt St., Darien,  
CT (US) 06820

\* cited by examiner

*Primary Examiner*—Ian Simmons

*Assistant Examiner*—Christopher Lee

(74) *Attorney, Agent, or Firm*—Michael A. Blake

(\*\*) **Term:** **14 Years**

(21) **Appl. No.:** **29/319,529**

(57) **CLAIM**

(22) **Filed:** **Jun. 11, 2008**

The ornamental design for a mask, as shown and described.

(51) **LOC (9) Cl.** ..... **29-02**

(52) **U.S. Cl.** ..... **D24/110**

(58) **Field of Classification Search** ..... D24/110,  
D24/110.1, 203; 128/205.25, 206.12, 200.23;  
392/403; 4/537

See application file for complete search history.

**DESCRIPTION**

FIG. 1 is a top view of the disclosed mask;

FIG. 2 is a side view of the disclosed mask;

FIG. 3 is a rear view of the disclosed mask;

FIG. 4 is a front view of the disclosed mask;

FIG. 5 is a bottom view of the disclosed mask, the broken lines in FIG. 5 are included for the purpose of illustrating environmental structure of the inhaler that forms no part of the claimed design; and,

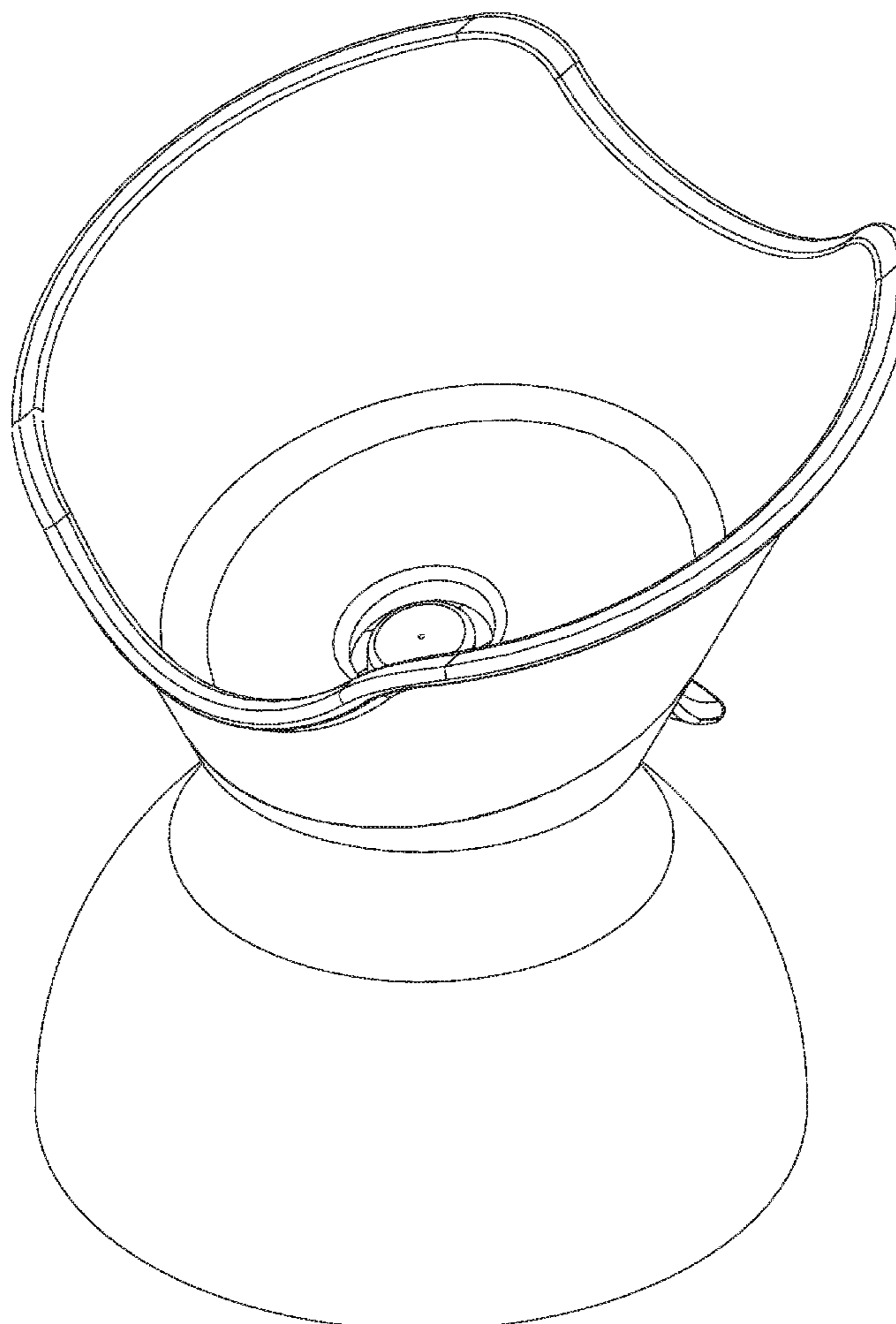
FIG. 6 is a perspective view of the disclosed mask.

(56) **References Cited**

**U.S. PATENT DOCUMENTS**

D208,514 S *	9/1967	Hartwell	.....	D24/203
D209,364 S *	11/1967	Katzman et al.	.....	D24/203
D210,435 S *	3/1968	Boltz	.....	D24/203
D279,312 S *	6/1985	Pohlmann	.....	D24/110
4,903,850 A *	2/1990	Frank et al.	.....	392/403

**1 Claim, 6 Drawing Sheets**



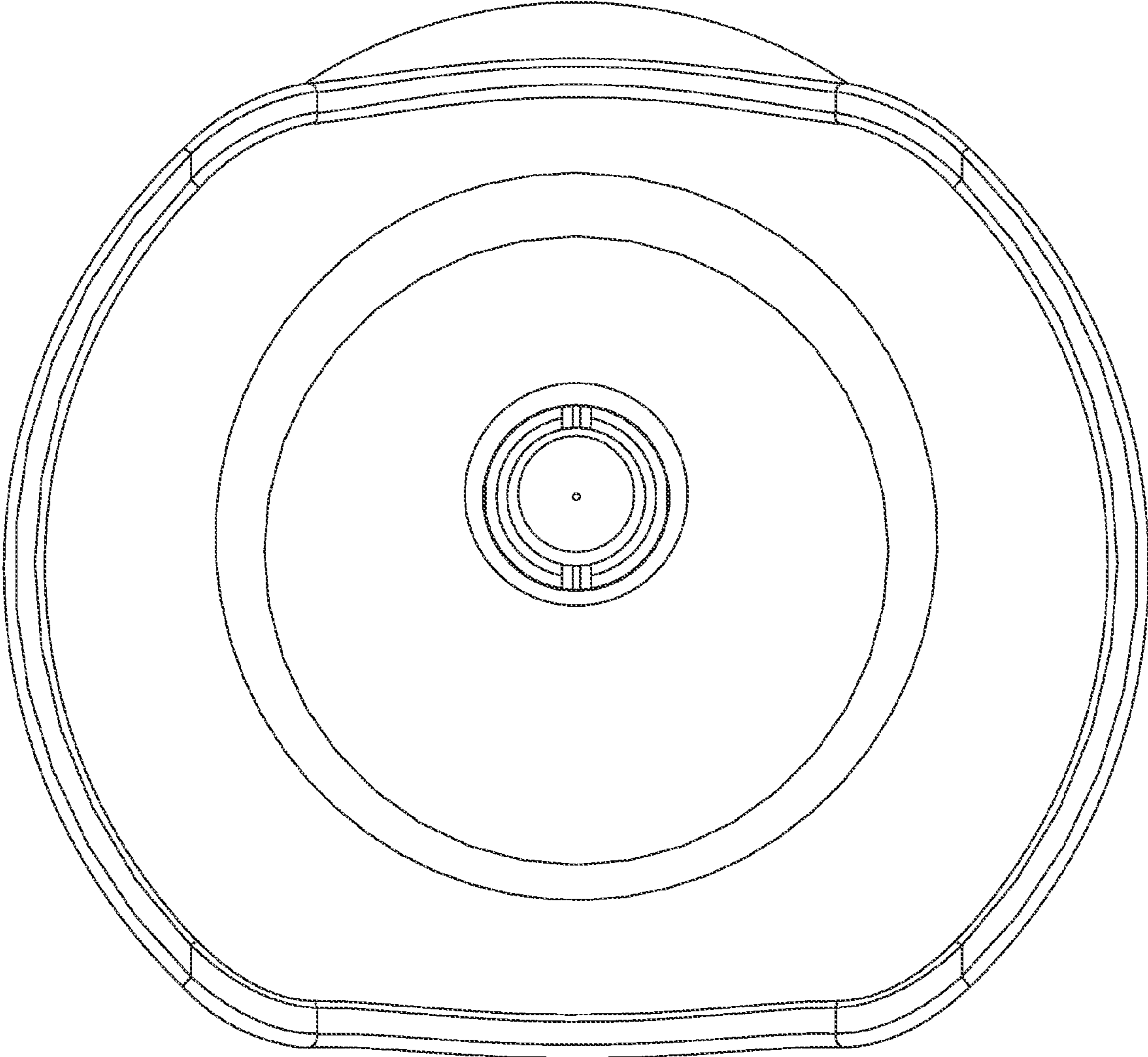


Fig. 1

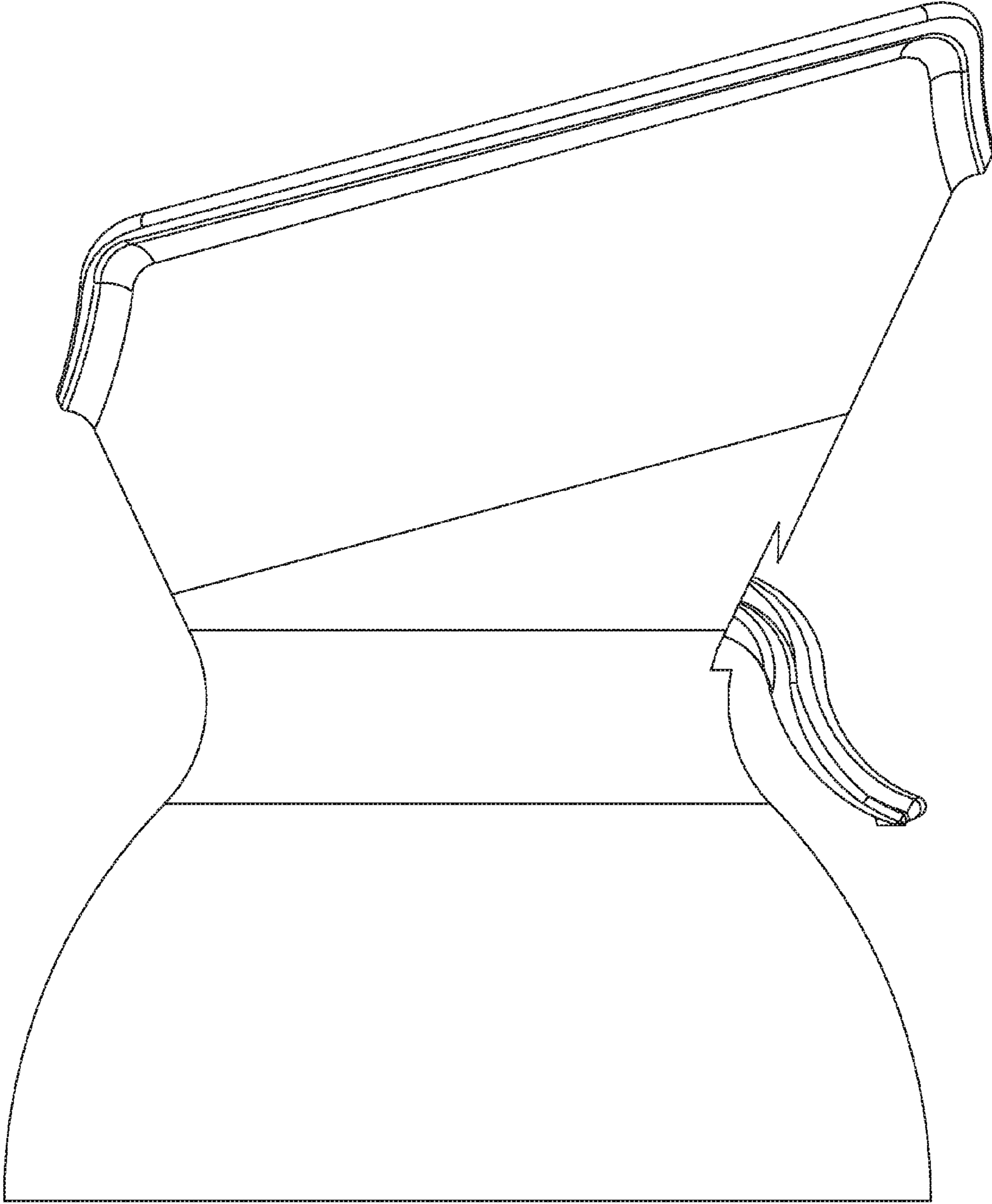


Fig.2

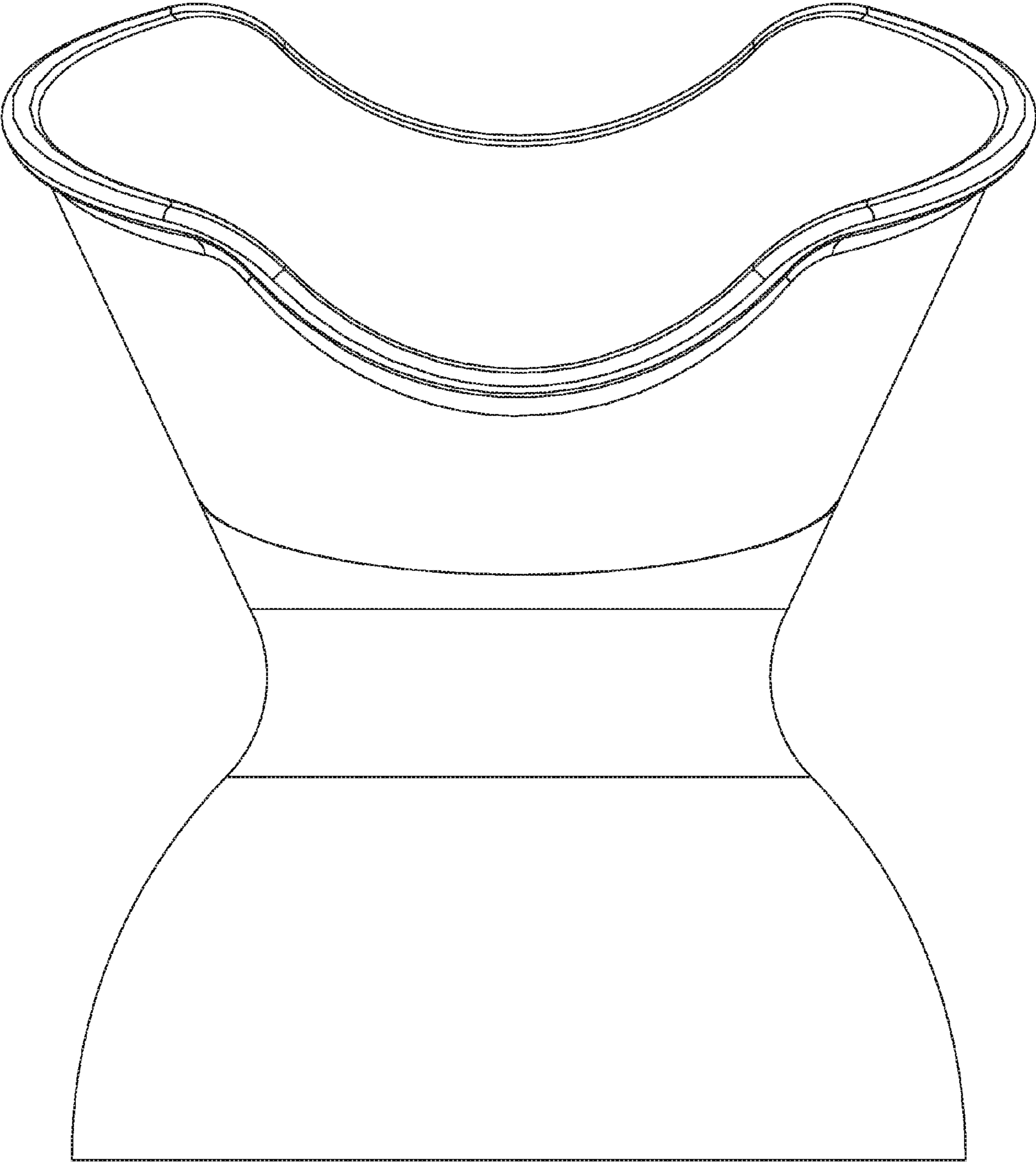


Fig.3

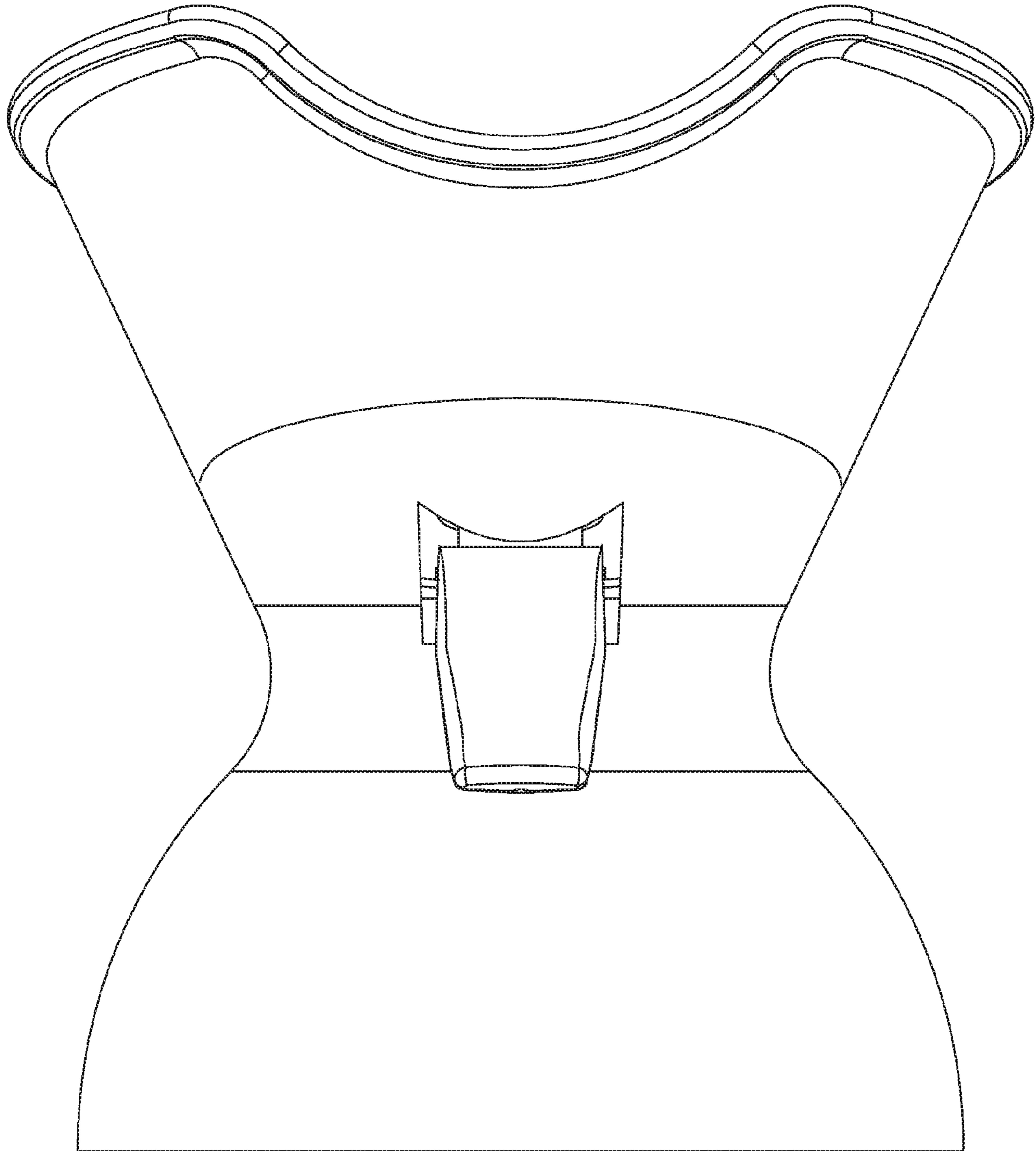


Fig.4

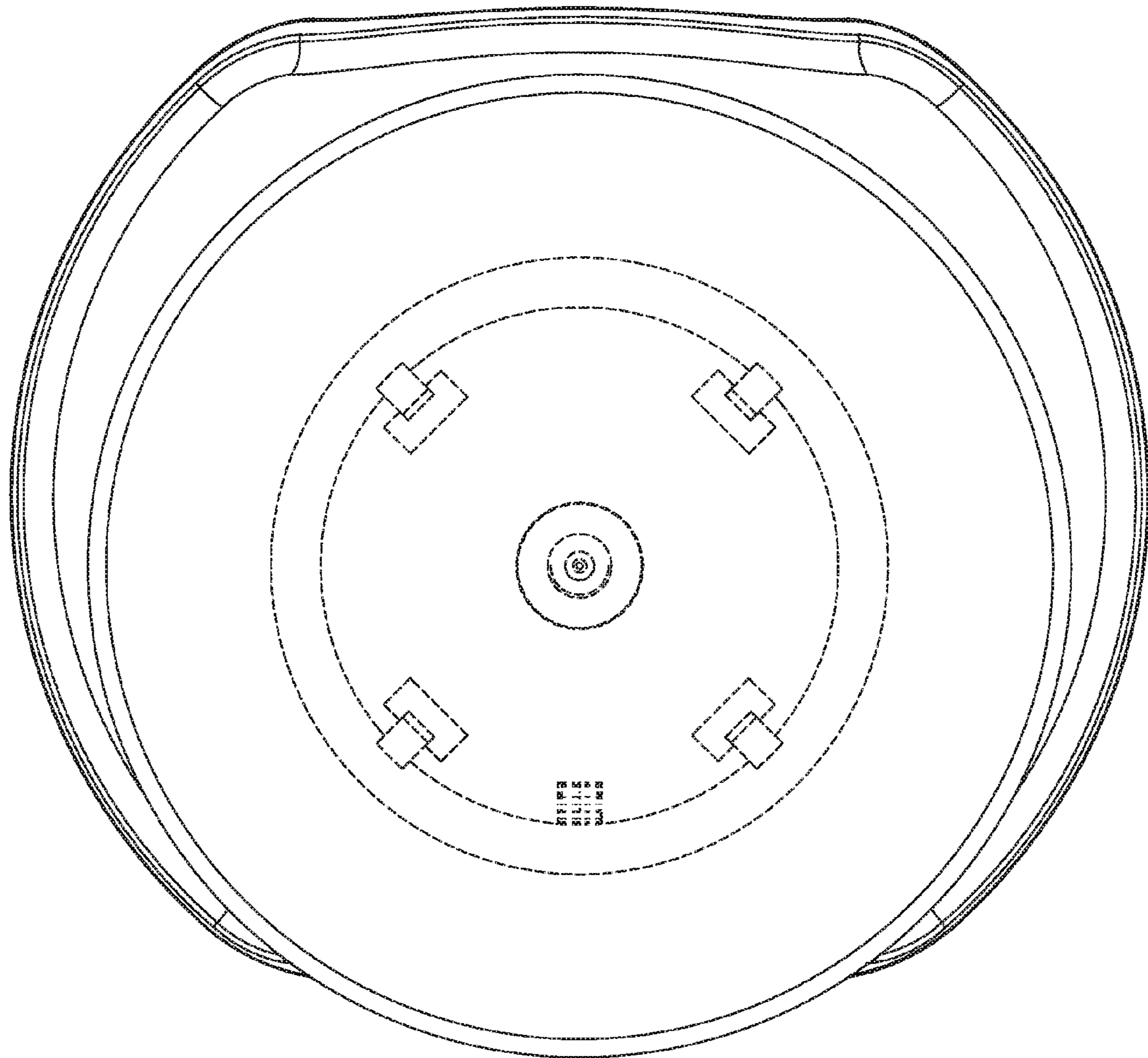


Fig.5

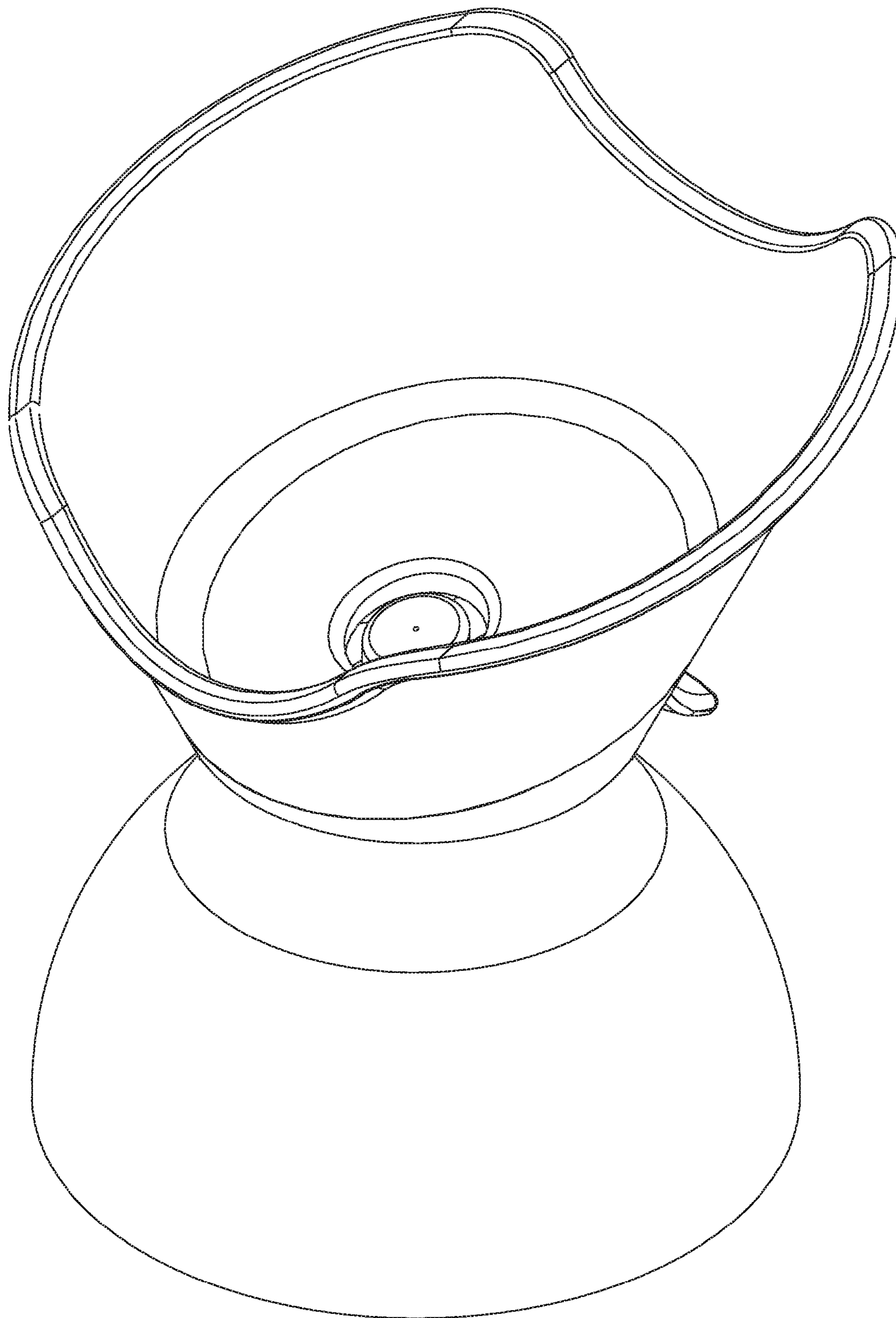


Fig.6