



US00D610249S

(12) **United States Design Patent**
Robinson

(10) **Patent No.:** **US D610,249 S**

(45) **Date of Patent:** **** Feb. 16, 2010**

(54) **CANISTER DOSAGE INDICATOR DEVICE**

(76) Inventor: **John H. Robinson**, 625 E. 21st St.,
Oakland, CA (US) 94606

(**) Term: **14 Years**

(21) Appl. No.: **29/317,811**

(22) Filed: **May 7, 2008**

(51) **LOC (9) Cl.** **29-02**

(52) **U.S. Cl.** **D24/110**

(58) **Field of Classification Search** D24/110;
128/200.23, 200.14, 200.12, 200.21, 203.15,
128/203.23, 203.21, 202.22, 205.11, 200.24,
128/200.22, 203.12, 205.23, 205.25; 222/23,
222/30, 32

See application file for complete search history.

(56) **References Cited**

U.S. PATENT DOCUMENTS

D207,143	S *	3/1967	Goodwin	D24/110
3,688,945	A	9/1972	Harman, Jr. et al.		
4,576,157	A *	3/1986	Raghuprasad	128/200.23
4,662,537	A	5/1987	Wolf et al.		
D311,443	S *	10/1990	Long et al.	D24/110
4,984,709	A	1/1991	Weinstein		
5,356,012	A	10/1994	Tang et al.		
5,988,496	A	11/1999	Bruna		
D433,502	S *	11/2000	Rand	D24/110
6,161,724	A	12/2000	Blacker et al.		

D455,668	S	4/2002	Ali-Ahmed		
D461,239	S *	8/2002	Cassidy	D24/110
6,581,797	B2	6/2003	McKinney, Jr. et al.		
D511,208	S *	11/2005	Pardonge et al.	D24/110
2005/0209558	A1	9/2005	Marx		

* cited by examiner

Primary Examiner—Ian Simmons

Assistant Examiner—Christopher Lee

(57) **CLAIM**

The ornamental design for a canister dosage indicator device, as shown and described.

DESCRIPTION

FIG. 1 is a side view of a canister dosage indicator device;

FIG. 2 is an opposite side view thereof;

FIG. 3 is a front view thereof;

FIG. 4 is a back view thereof;

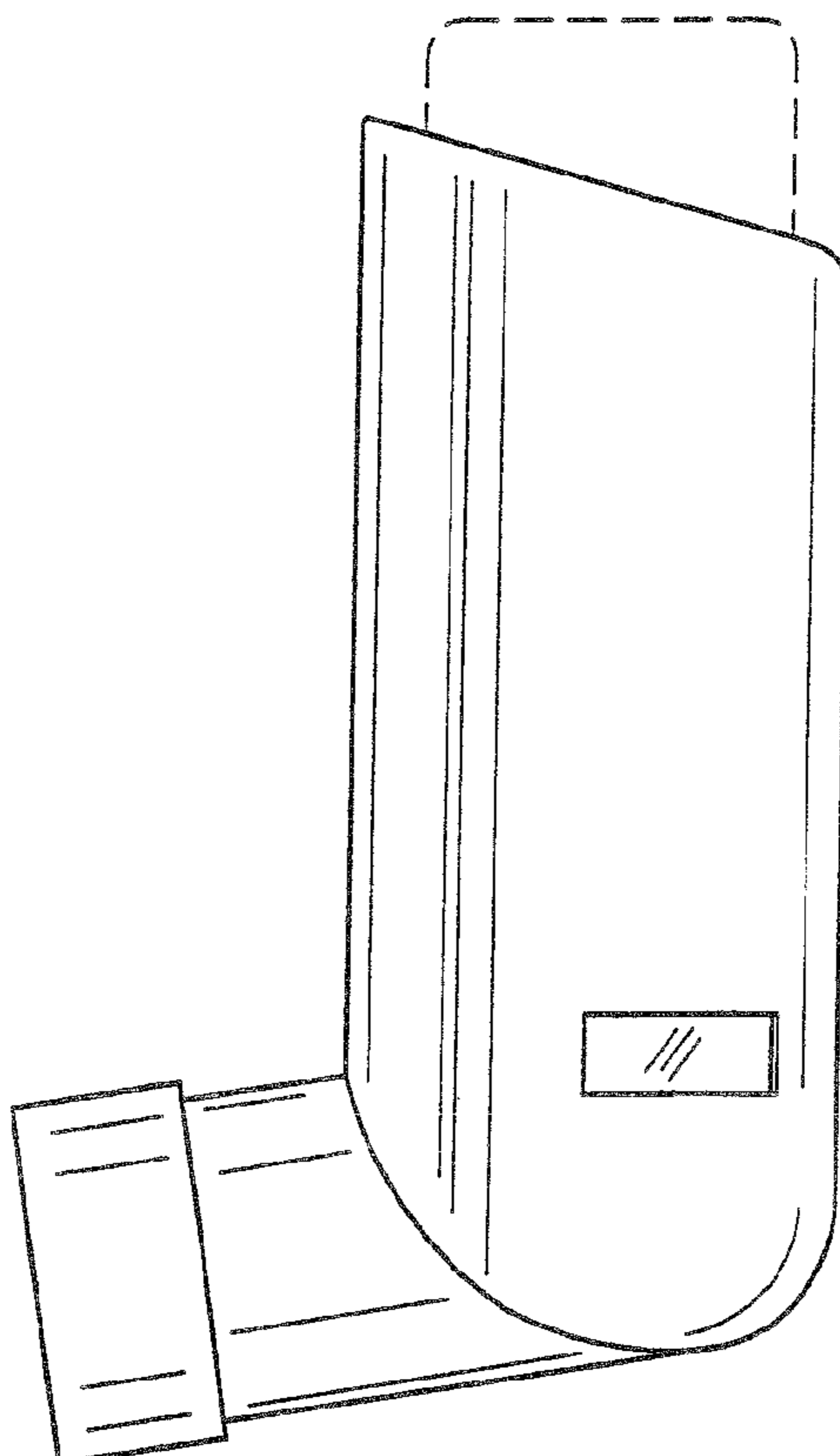
FIG. 5 is a top view thereof; and,

FIG. 6 is a bottom view thereof.

The broken lines in FIG. 1 are included for the purpose of illustrating a portion of the canister dosage indicator device that forms no part of the claimed design.

The broken lines in FIG. 5 are included for the purpose of illustrating a portion of the inhaler that forms no part of the claimed design.

1 Claim, 3 Drawing Sheets



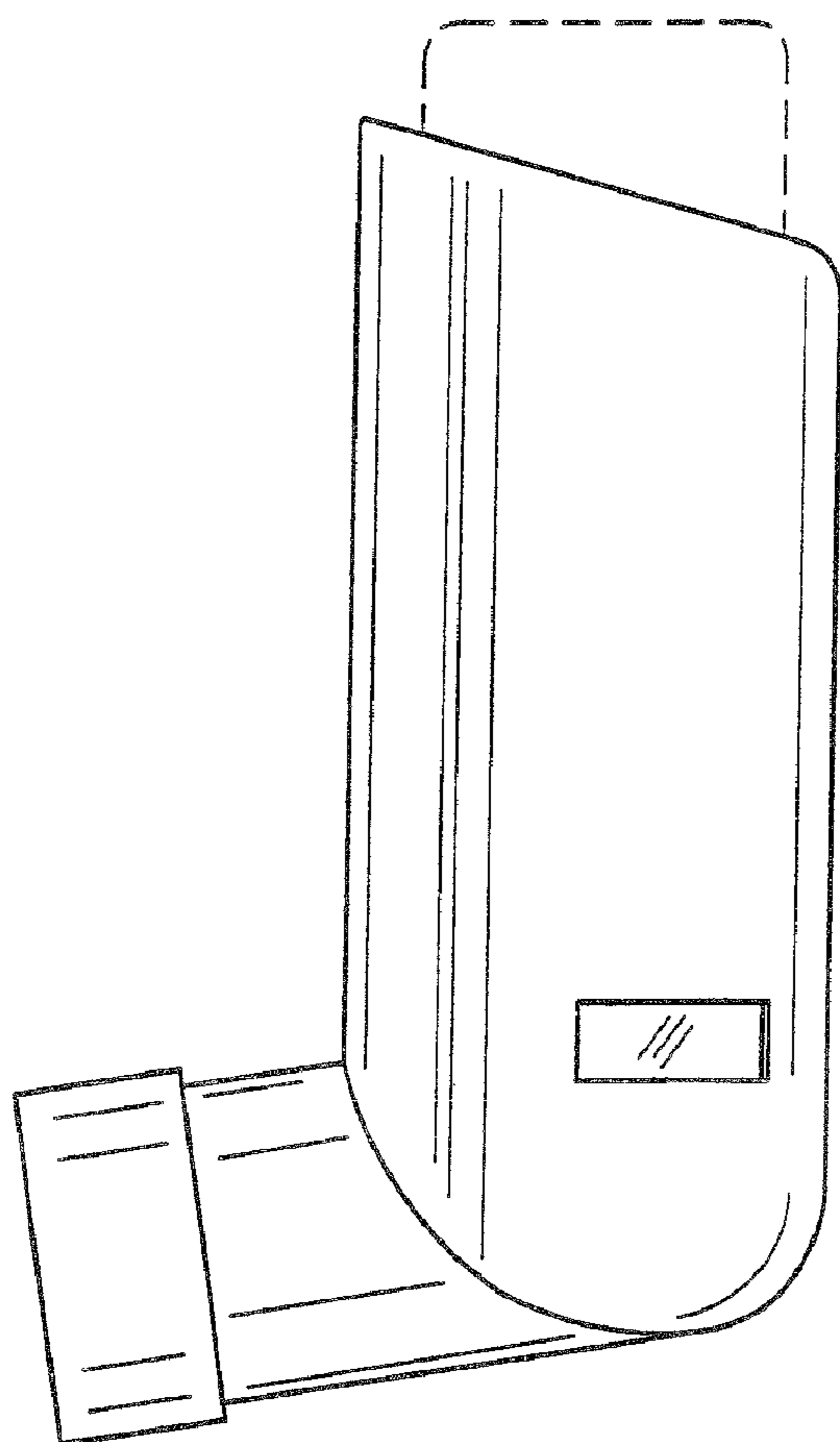


FIG. 1

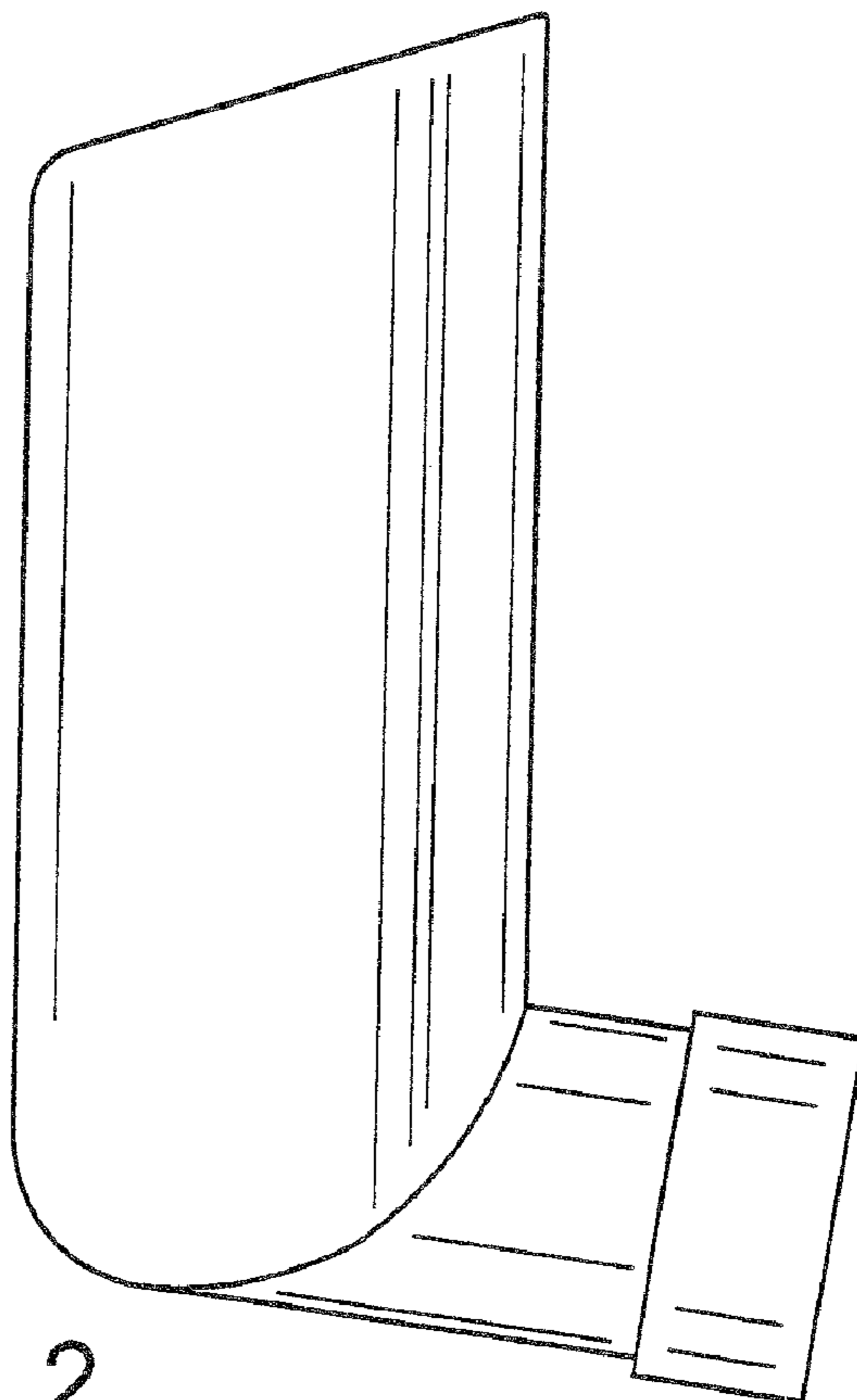


FIG. 2

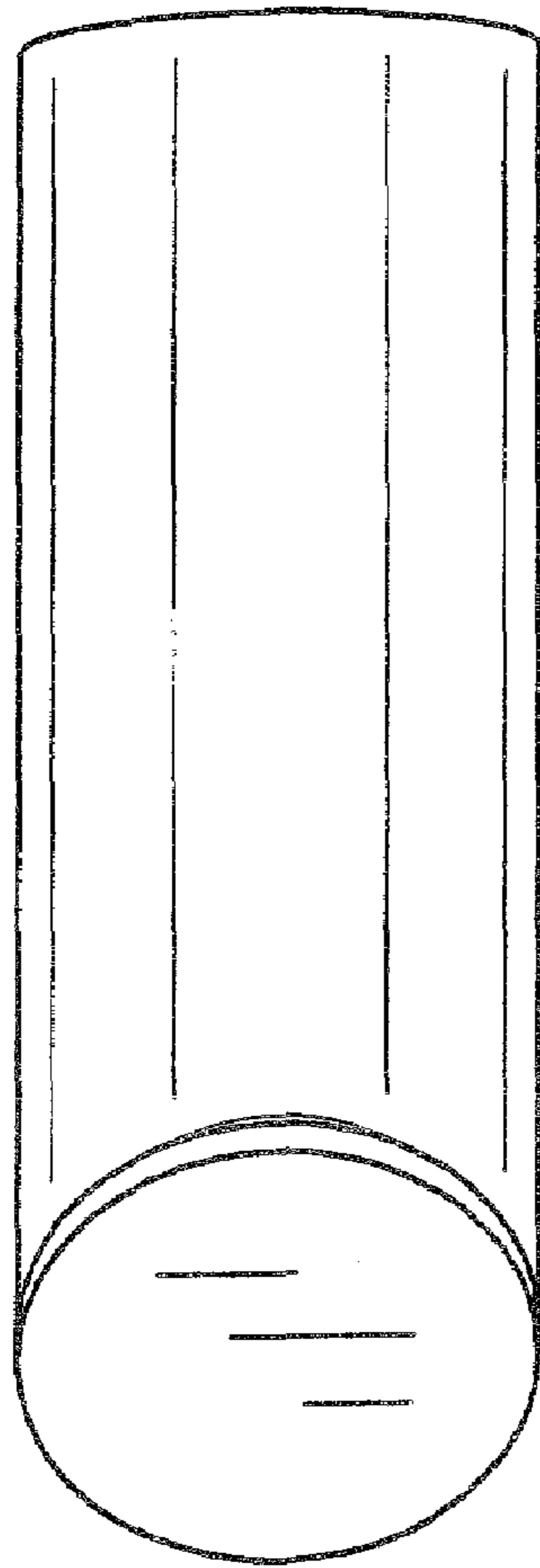


FIG. 3

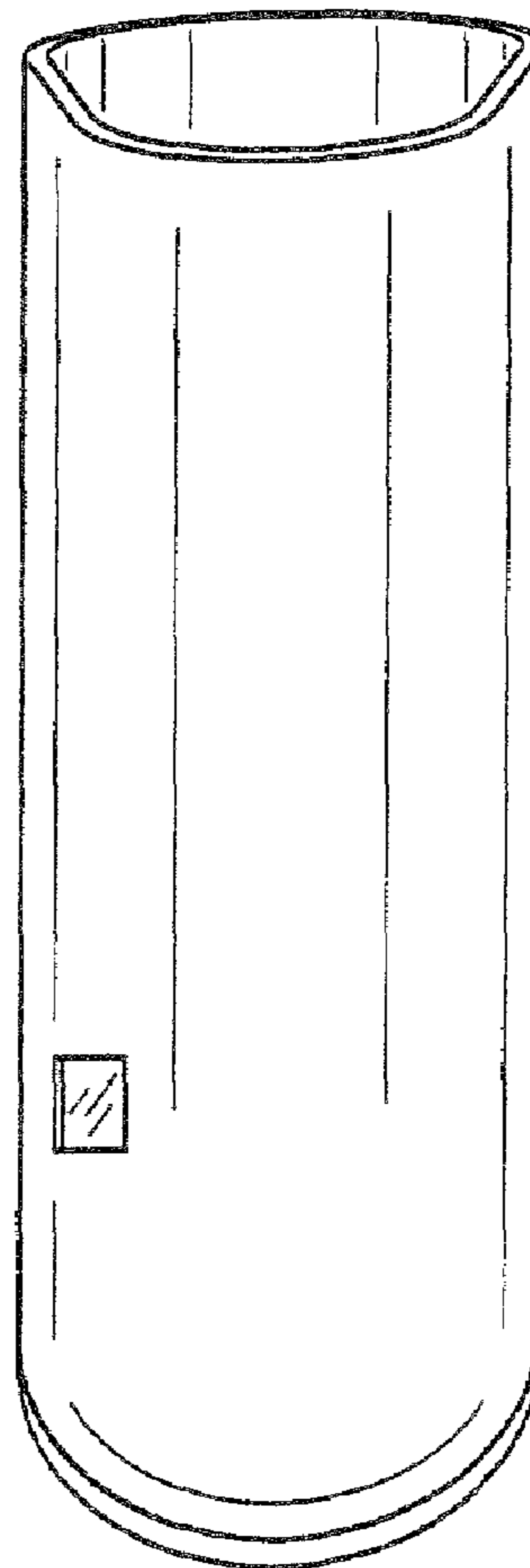


FIG. 4

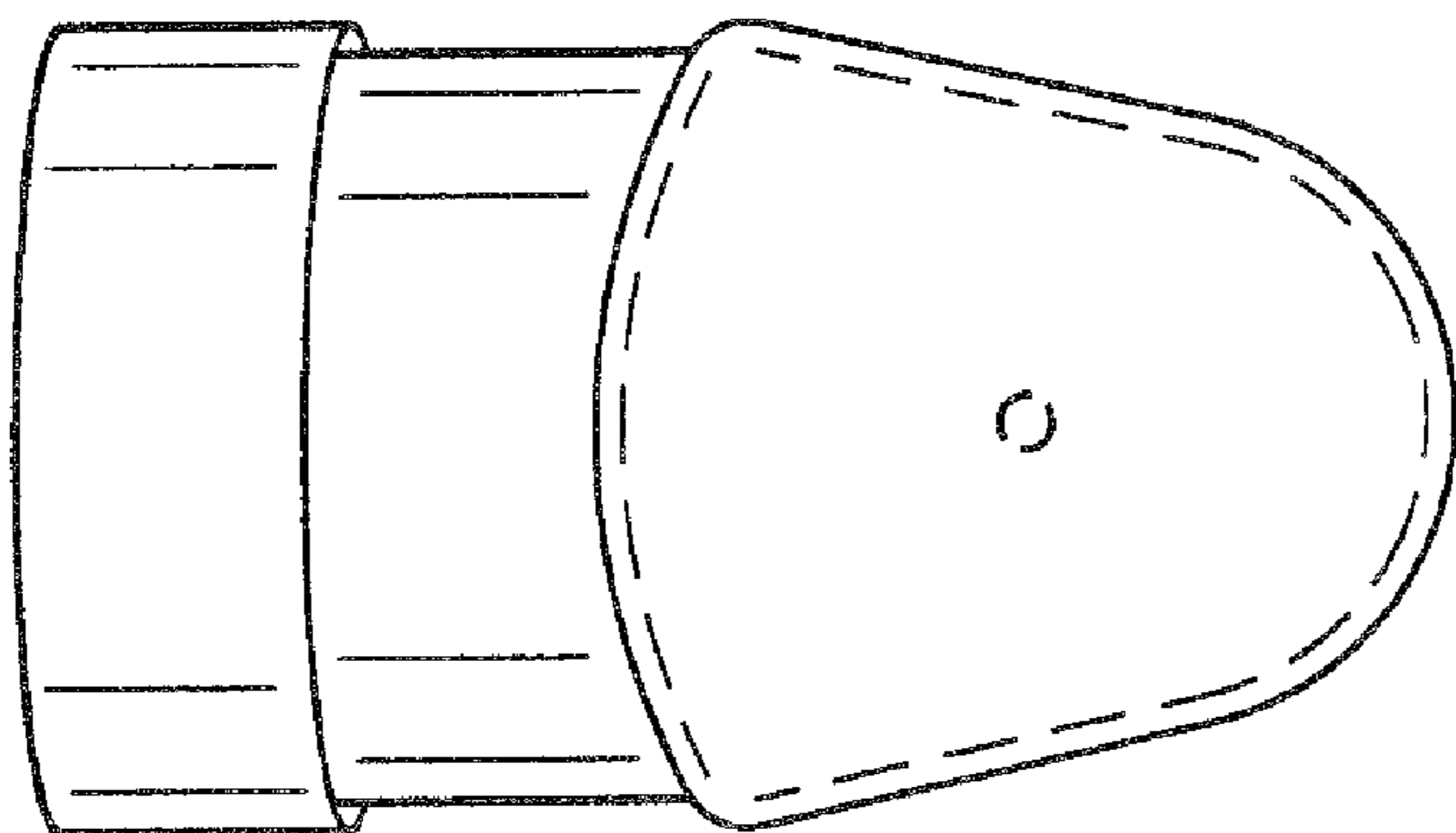


FIG. 5

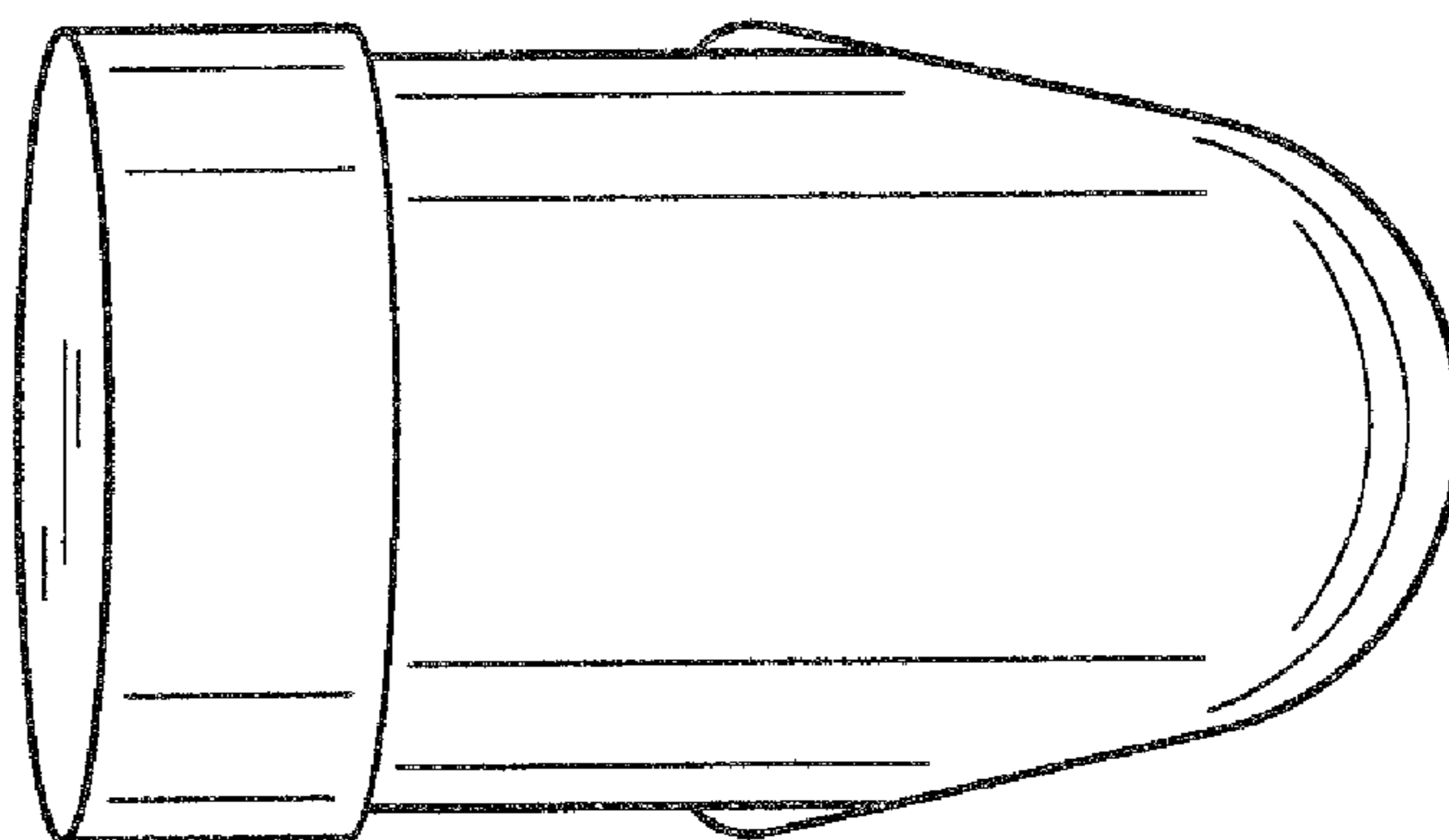


FIG. 6