



US00D610246S

(12) **United States Design Patent**
Grosskreuz

(10) **Patent No.:** **US D610,246 S**
(45) **Date of Patent:** **** Feb. 16, 2010**

(54) **FAN MOUNT**

DESCRIPTION

(75) Inventor: **Paul J. Grosskreuz**, West Bend, WI (US)

(73) Assignee: **Rockwell Automation Technologies, Inc.**, Mayfield Heights, OH (US)

(**) Term: **14 Years**

(21) Appl. No.: **29/317,333**

(22) Filed: **Apr. 28, 2008**

(51) **LOC (9) Cl.** **23-04**

(52) **U.S. Cl.** **D23/411**

(58) **Field of Classification Search** D23/411, D23/370, 381, 382, 332; 416/244 R, 247 R
See application file for complete search history.

(56) **References Cited**

U.S. PATENT DOCUMENTS

- 3,508,729 A * 4/1970 Wilson 248/604
- 3,620,644 A * 11/1971 McLarty 416/97 R
- D283,913 S * 5/1986 Tomlinson D23/411
- 4,657,478 A * 4/1987 LaZebnik et al. 415/126

* cited by examiner

Primary Examiner—Lisa P Lichtenstein

(74) *Attorney, Agent, or Firm*—Fletcher Yoder LLP;
Alexander R. Kuszewski

(57) **CLAIM**

The ornamental design for a fan mount, as shown and described.

FIG. 1 is a perspective view of the design for the fan mount, wherein the fan mount includes a latch ramp leading to a latch opening at a position between upper and lower guide receptacles in opposite left and right side walls, and broken lines illustrate a fan assembly mounted to the fan mount via a latch disposed in the latch opening and tabs disposed in the upper and lower guide receptacles;

FIG. 2 is an exploded perspective view of the design for the fan mount, wherein broken lines illustrate a fan carrier and a fan of the fan assembly exploded from the fan mount in a direction of insertion or removal from the fan mount;

FIG. 3 is a perspective view of the design for the fan mount, wherein the fan assembly is not mounted to the fan mount;

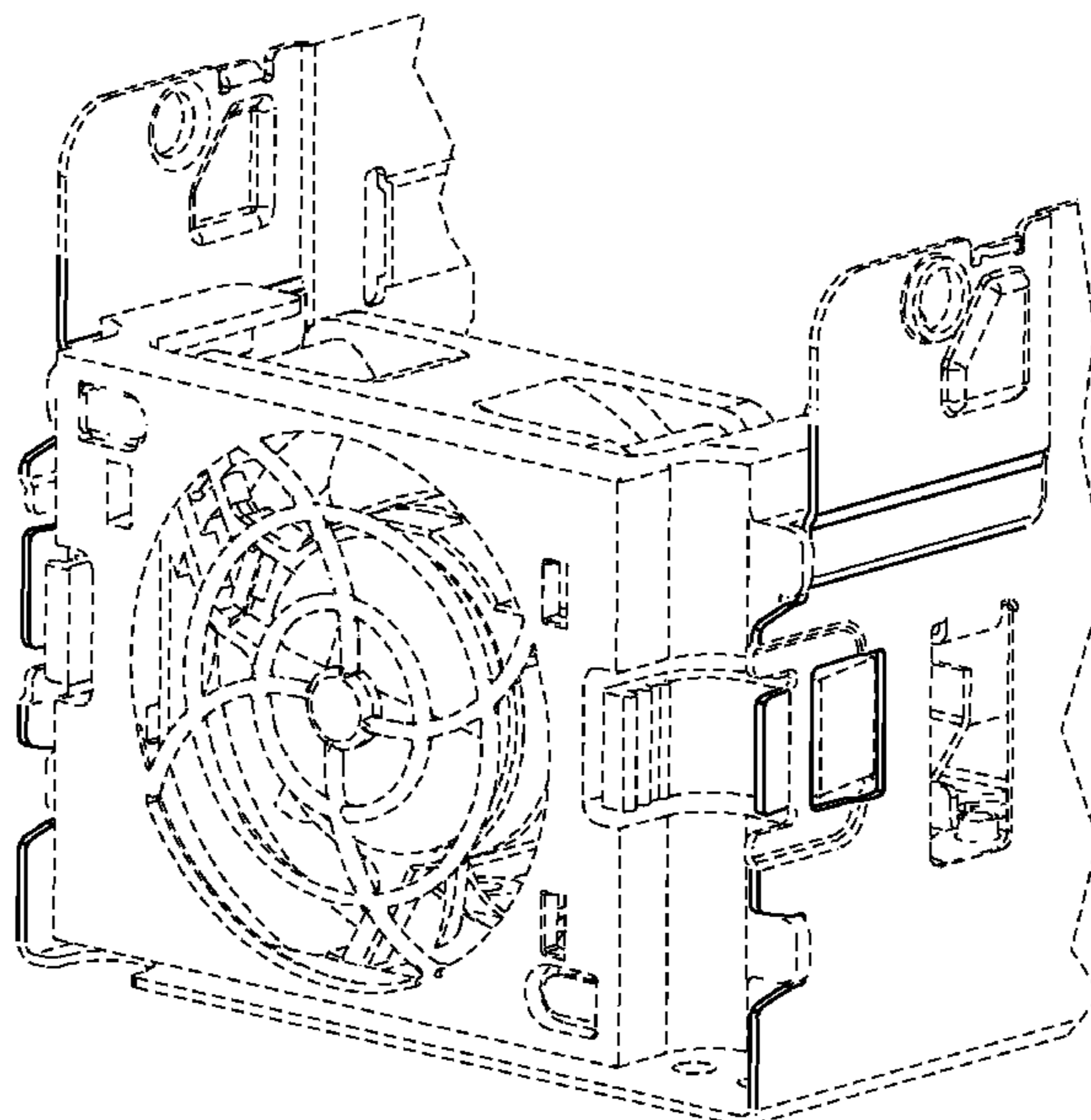
FIG. 4 is a front elevational view of the design for the fan mount, wherein broken lines illustrate the fan assembly mounted to the fan mount;

FIG. 5 is a right side elevational view of the design for the fan mount, wherein broken lines illustrate the fan assembly mounted to the fan mount, and the left side is the same as the illustrated right side; and,

FIG. 6 is a perspective view of the design for the fan mount, wherein broken lines illustrate the fan assembly mounted to the fan mount, and broken lines illustrate the fan mount in context of an industrial drive assembly, e.g., a motor drive assembly.

In these drawings, the solid lines illustrate the claimed ornamental design, whereas the broken lines illustrate environmental features that form no part of the claimed ornamental design.

1 Claim, 6 Drawing Sheets



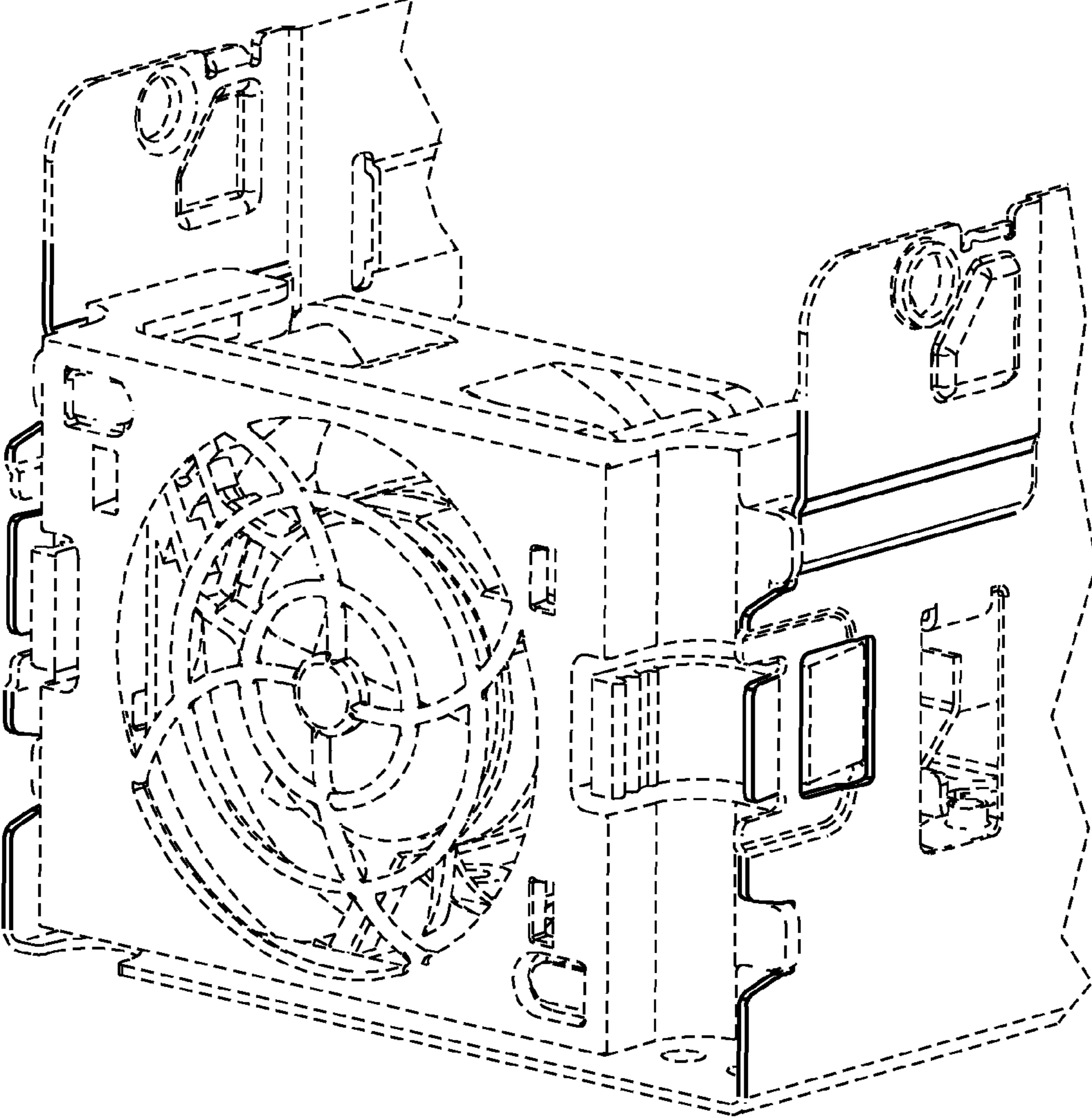
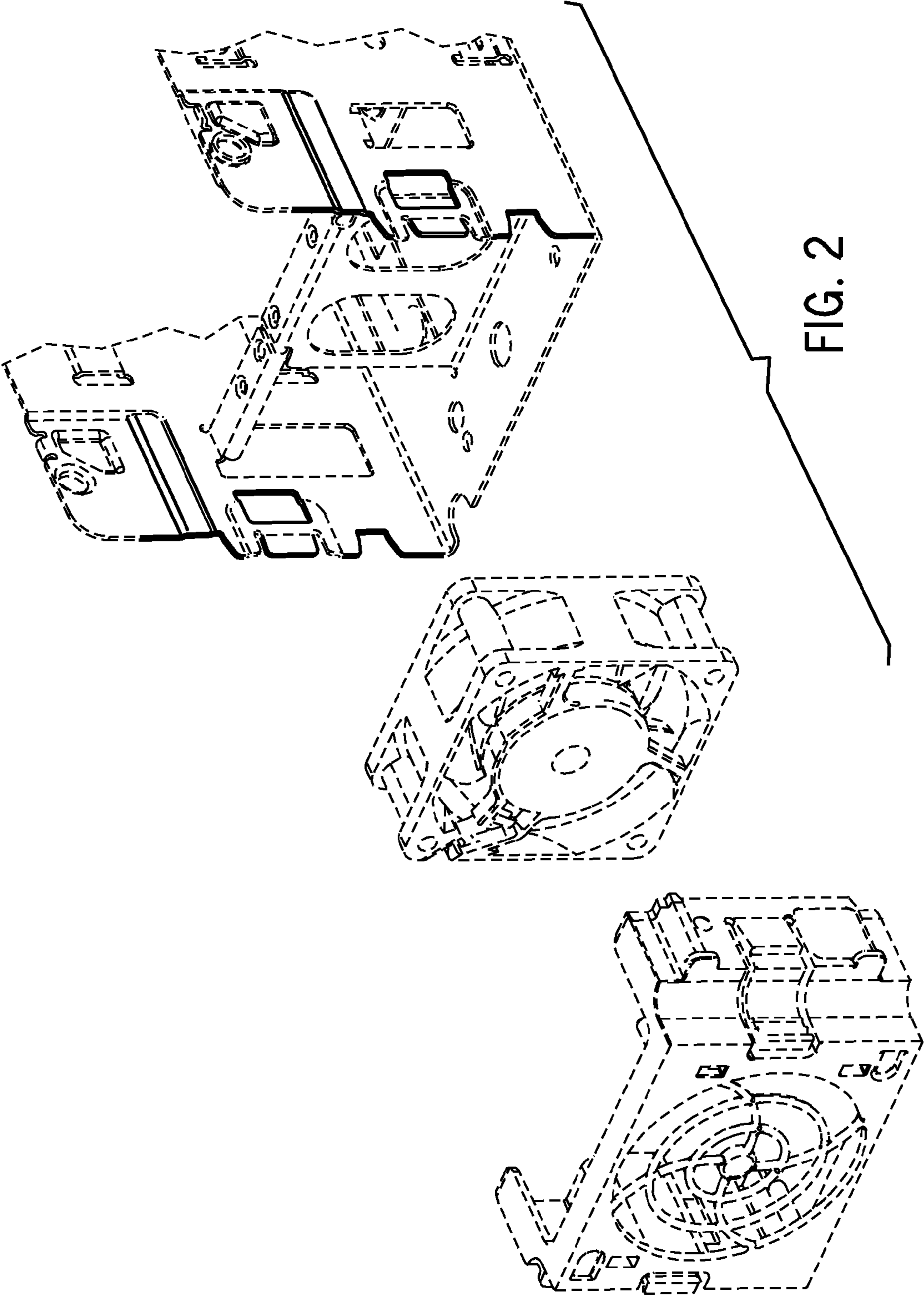


FIG. 1



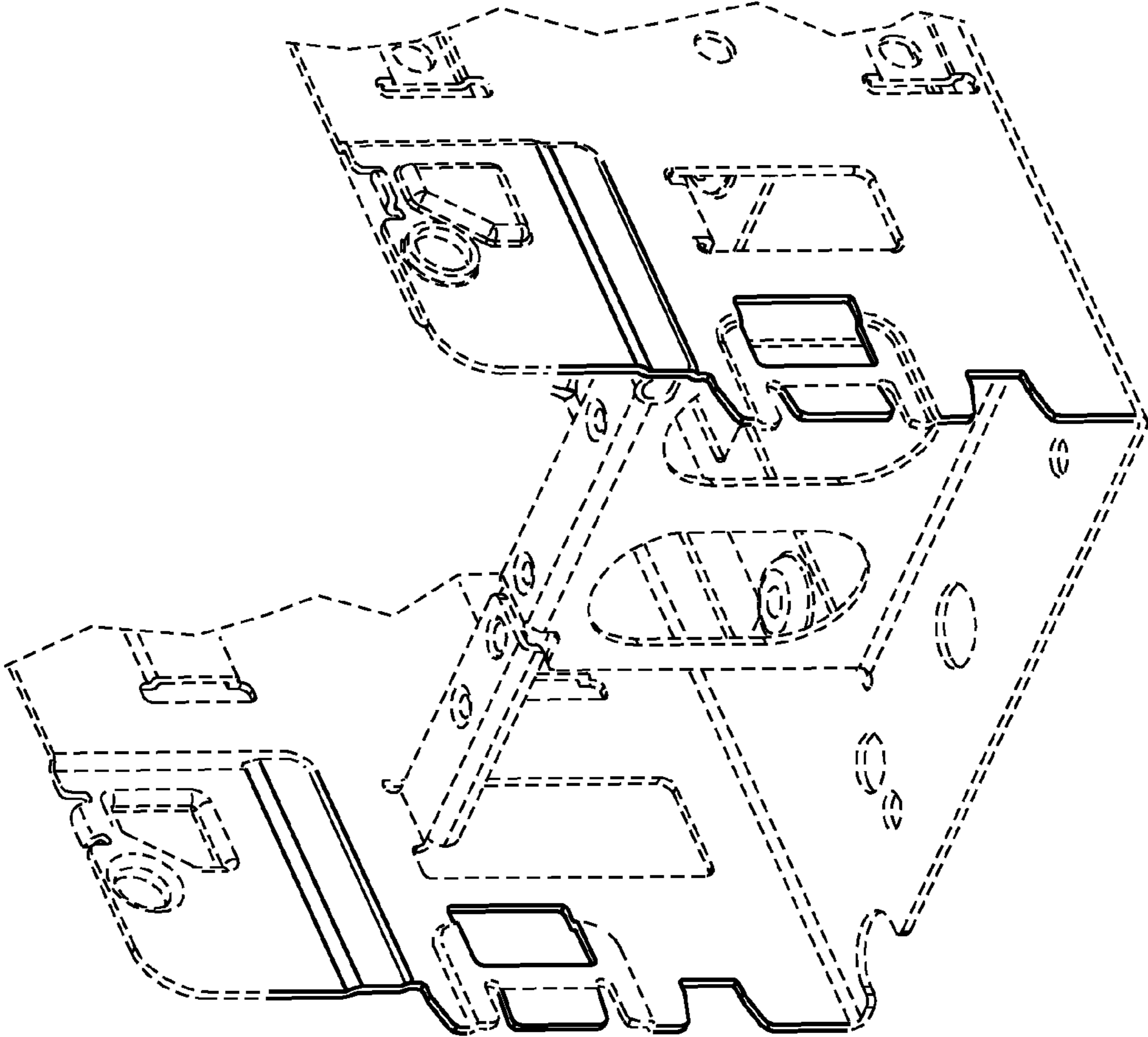


FIG. 3

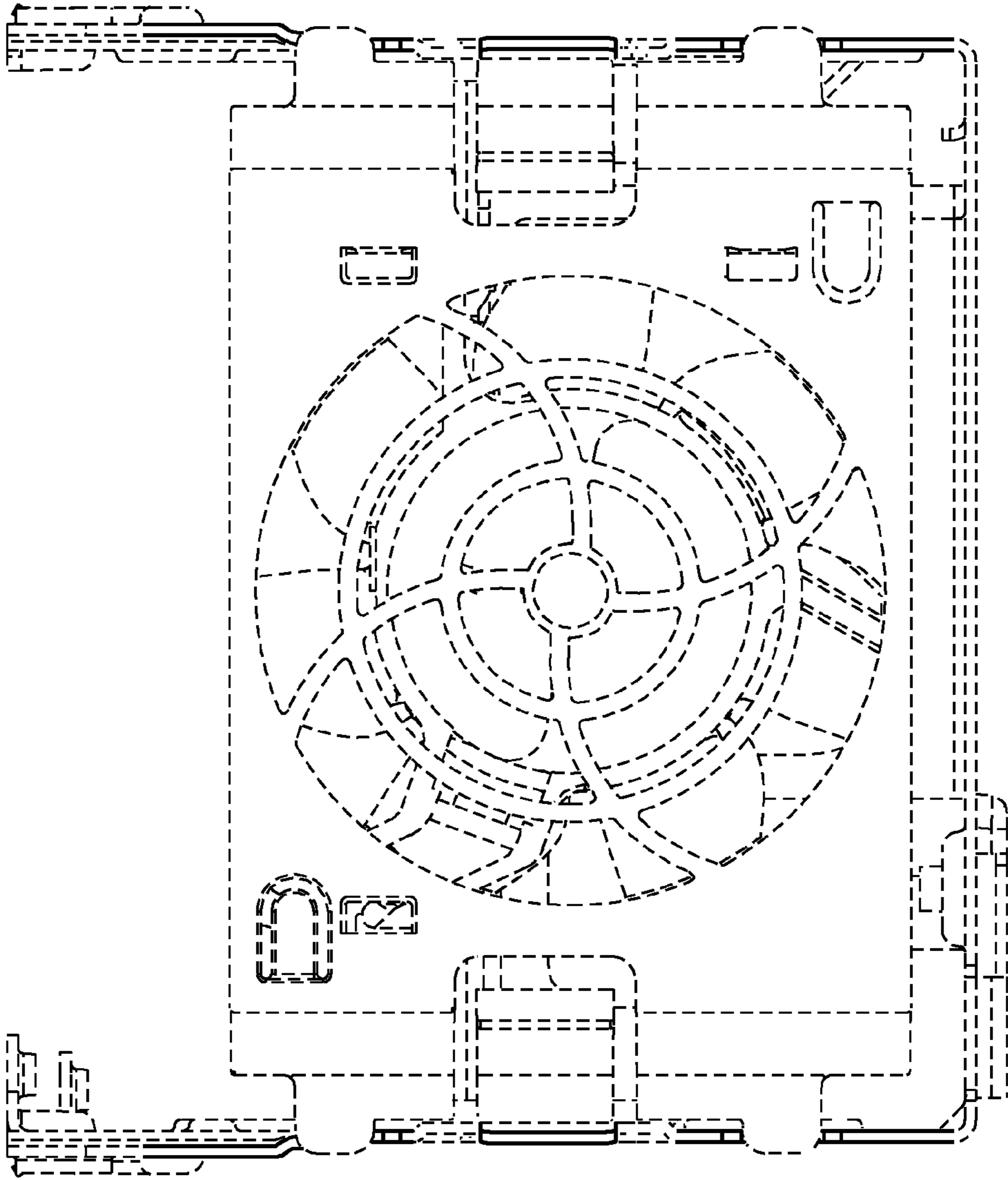


FIG. 4

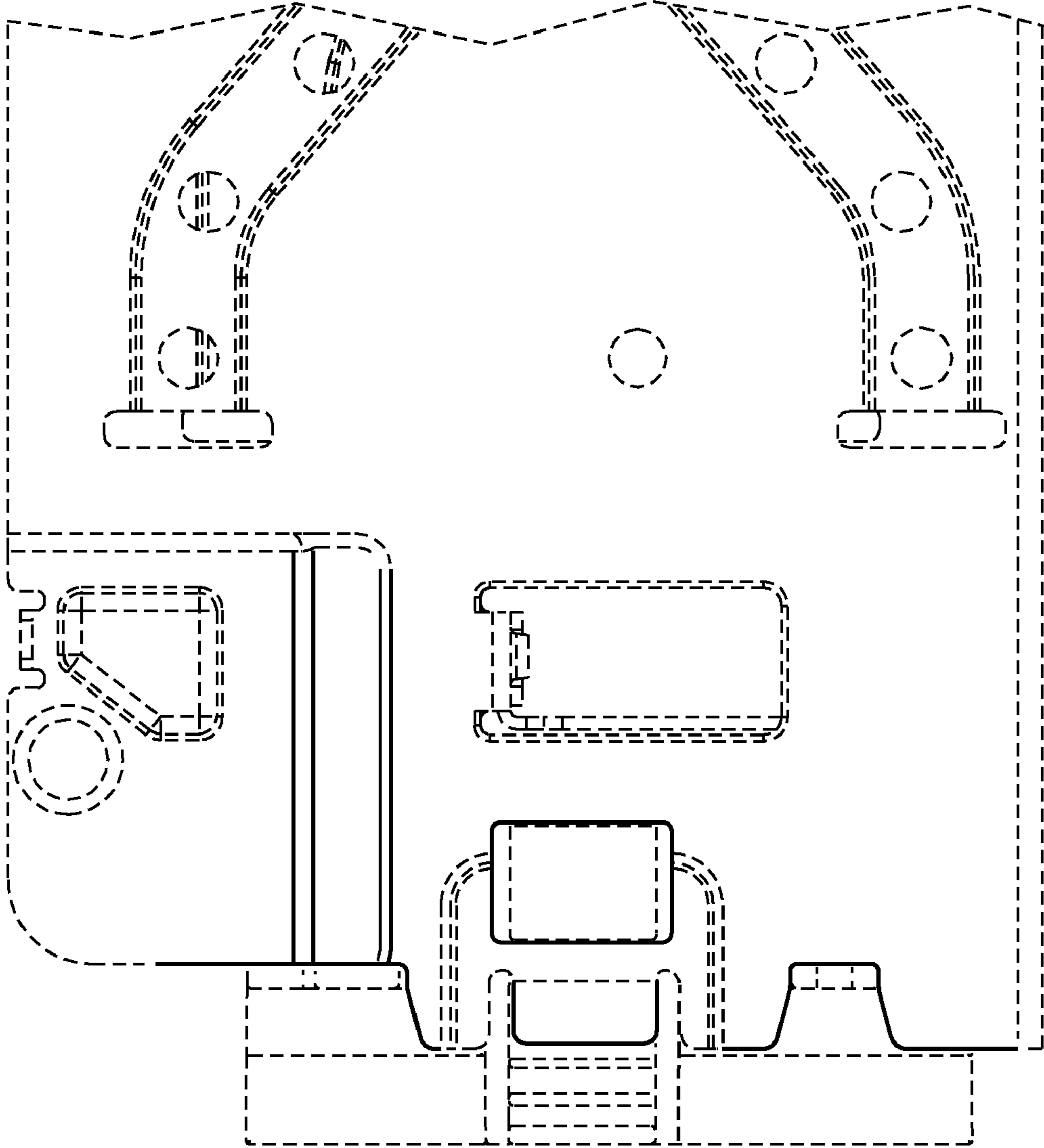


FIG. 5

FIG. 6

