



US00D610244S

(12) **United States Design Patent**  
**Gabbara**

(10) **Patent No.:** **US D610,244 S**

(45) **Date of Patent:** **\*\* Feb. 16, 2010**

(54) **VEHICLE DRYING APPARATUS**

6,684,529 B2 \* 2/2004 Morris et al. .... 34/666

(76) Inventor: **Alan G. Gabbara**, 2125 Greendale, West  
Bloomfield, MI (US) 48324

\* cited by examiner

*Primary Examiner*—Lisa P Lichtenstein

(\*\*) Term: **14 Years**

(21) Appl. No.: **29/342,243**

(57) **CLAIM**

(22) Filed: **Aug. 20, 2009**

The ornamental design for a vehicle drying apparatus, as shown and described.

(51) **LOC (9) Cl.** ..... **23-04**

(52) **U.S. Cl.** ..... **D23/370**

(58) **Field of Classification Search** ..... D23/370,  
D23/335; 15/344; 34/61

See application file for complete search history.

**DESCRIPTION**

FIG. 1 is a perspective view of a vehicle drying apparatus showing my new design;

FIG. 2 is a side view thereof;

FIG. 3 is a top view thereof;

FIG. 4 is a bottom view thereof;

FIG. 5 is a front view thereof; and,

FIG. 6 is a back view thereof.

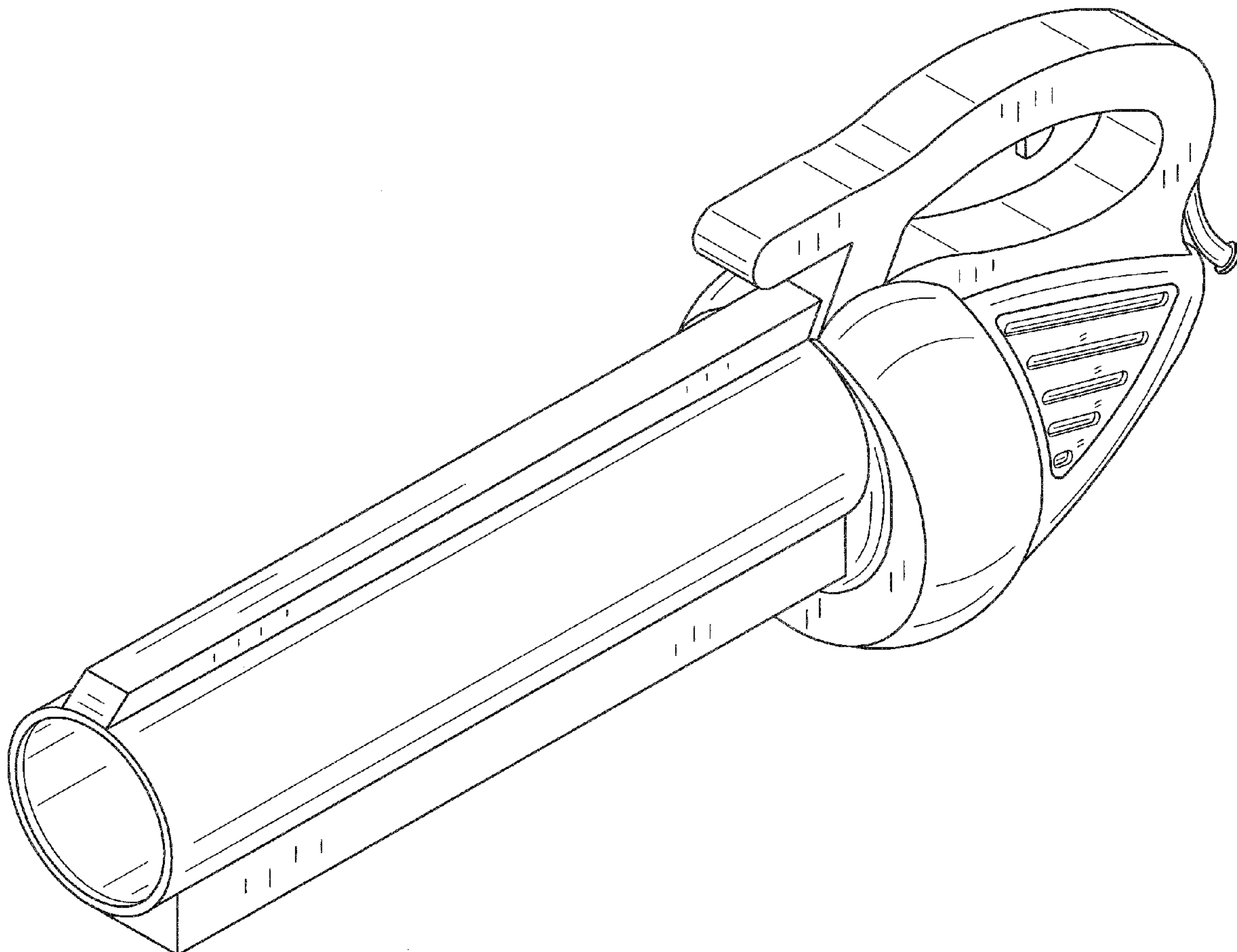
The broken line showing of an adapter is included for the purpose of illustrating environmental structure and forms no part of the claimed design.

(56) **References Cited**

U.S. PATENT DOCUMENTS

|           |    |         |                 |
|-----------|----|---------|-----------------|
| 3,209,127 | A  | 9/1965  | Graves          |
| 4,366,368 | A  | 12/1982 | Stephens, III   |
| 5,251,281 | A  | 10/1993 | Fravel, Jr.     |
| D375,348  | S  | 11/1996 | Varrigan        |
| 5,884,008 | A  | 3/1999  | Goldberg        |
| 6,105,206 | A  | 8/2000  | Tokumaru et al. |
| 6,286,228 | B1 | 9/2001  | Bodnar et al.   |

**1 Claim, 4 Drawing Sheets**



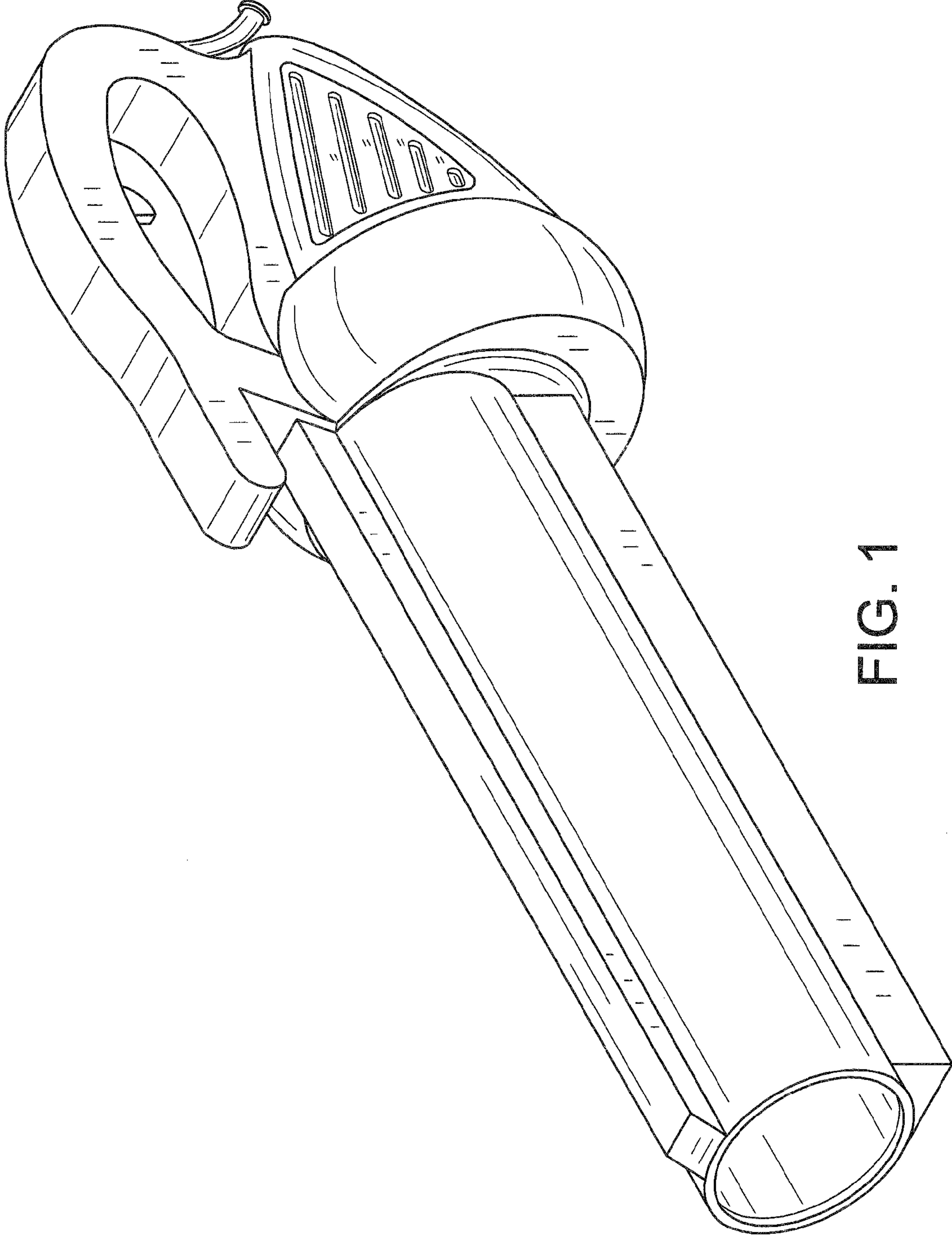


FIG. 1

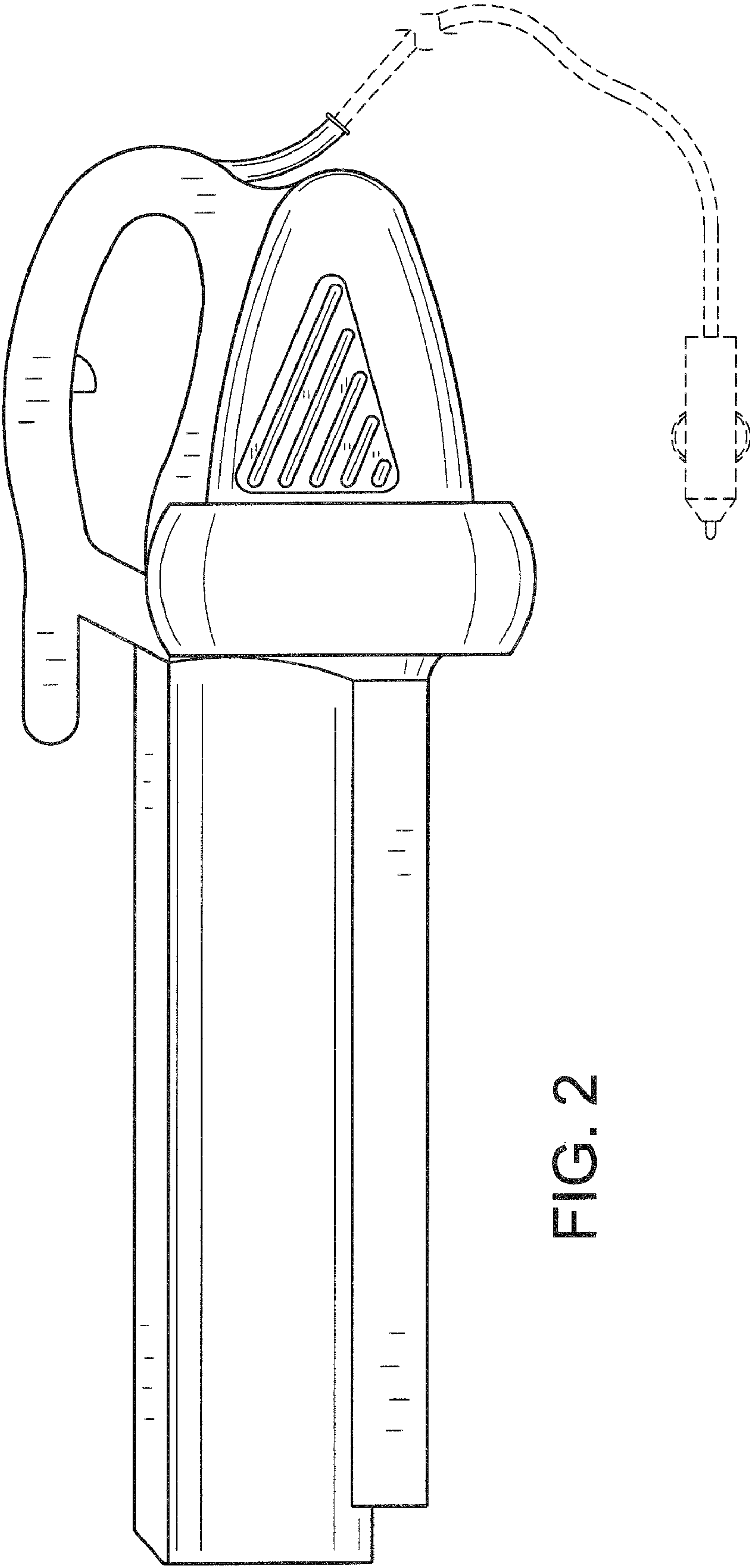


FIG. 2

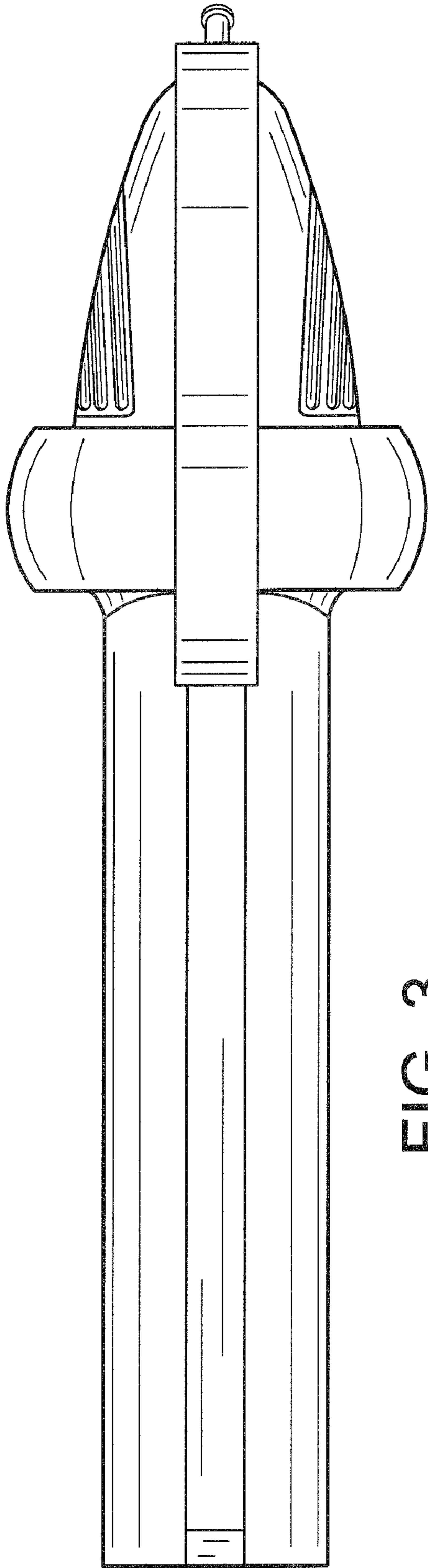


FIG. 3

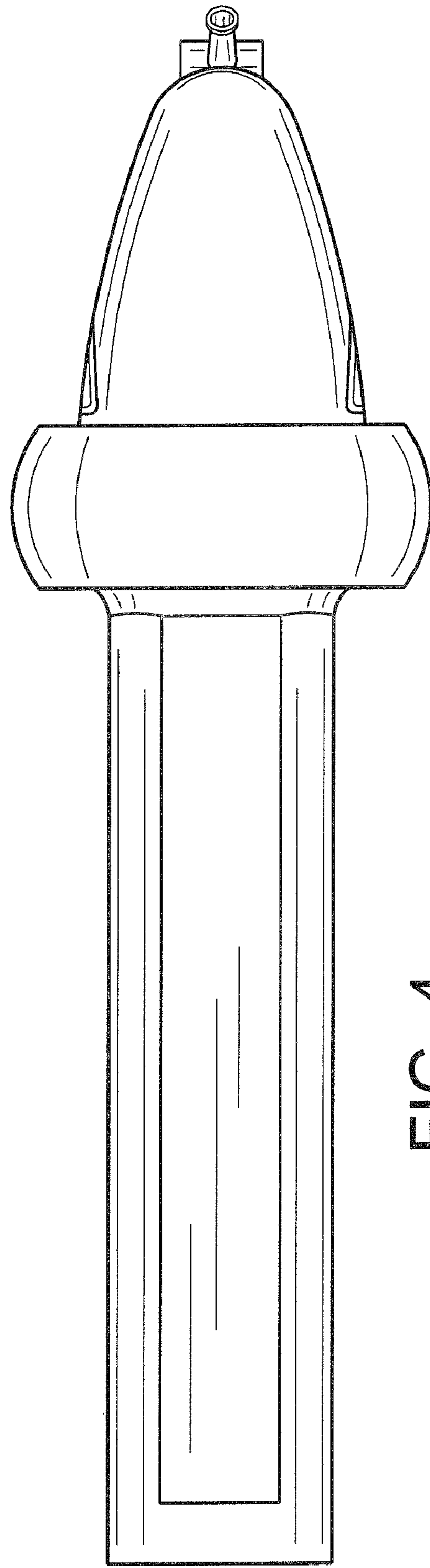


FIG. 4



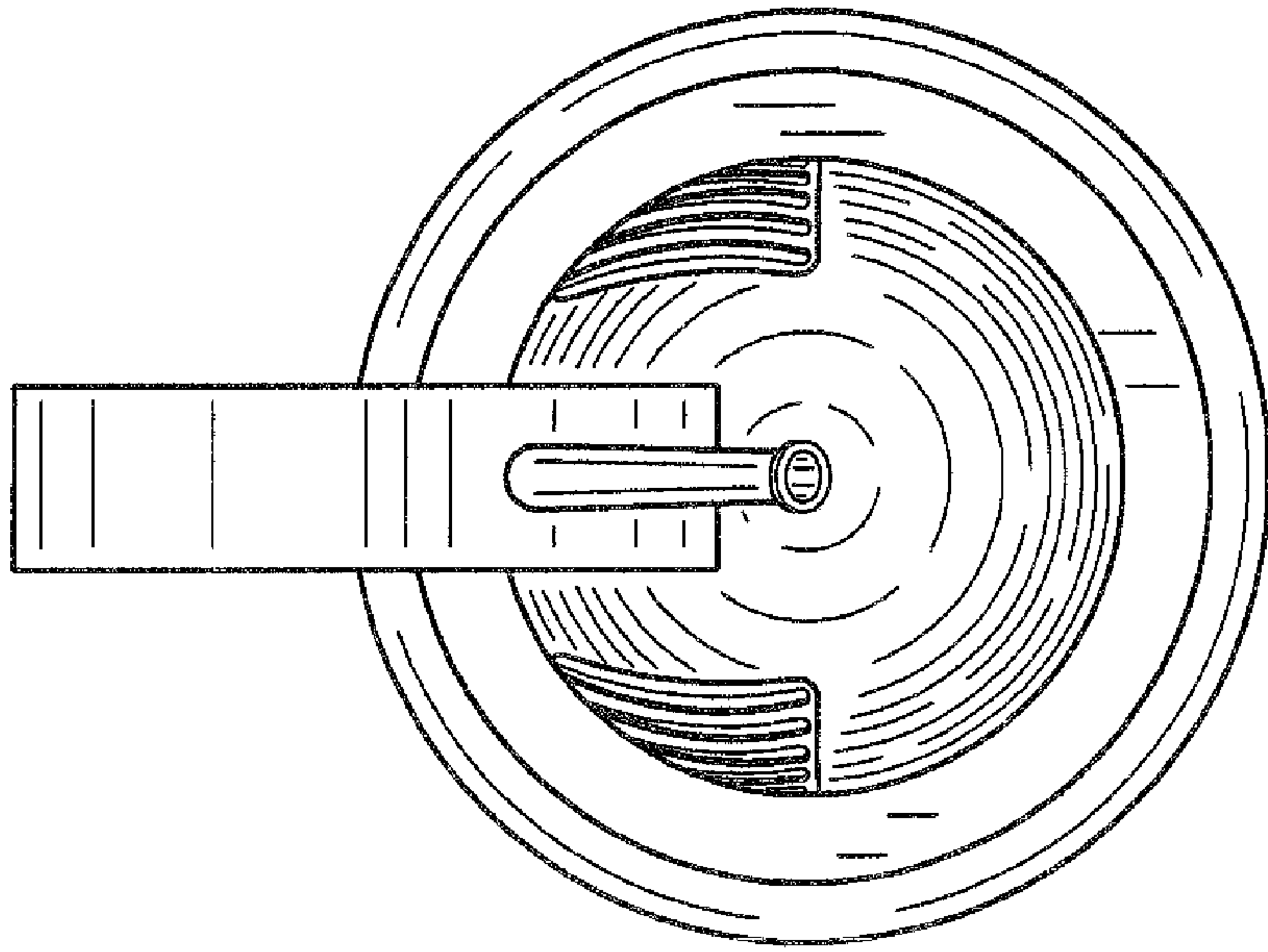


FIG. 5

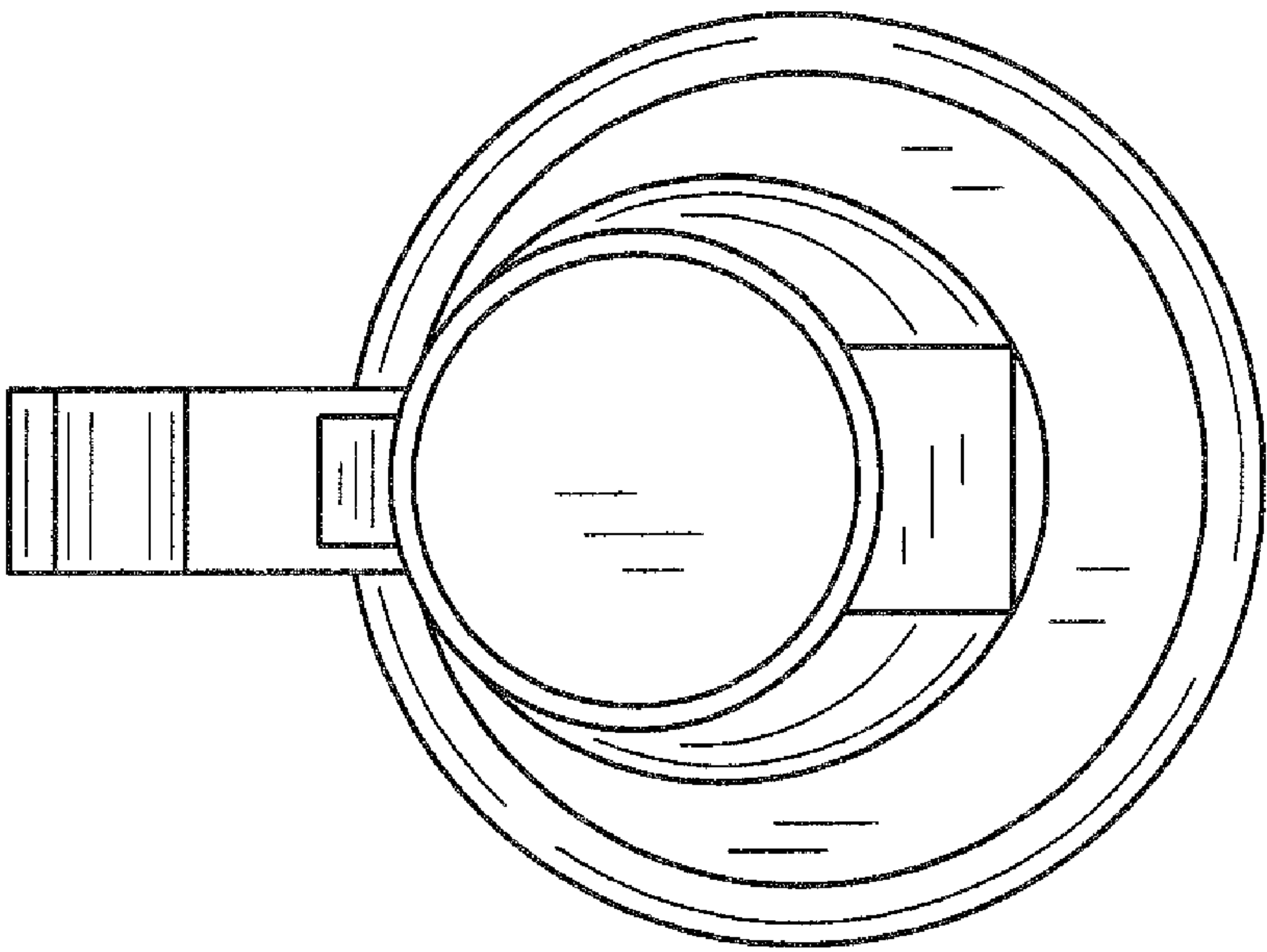


FIG. 6