



US00D610242S

(12) **United States Design Patent**  
**Loberger et al.**

(10) **Patent No.:** **US D610,242 S**  
(45) **Date of Patent:** **\*\* Feb. 16, 2010**

(54) **LAVATORY**

(75) Inventors: **John M. Loberger**, Germantown, WI (US); **Glenn T. Walters**, Port Washington, WI (US); **Richard S. Walters**, Hugo, MN (US)

(73) Assignee: **Bradley Fixtures Corporation**, Menomonee Falls, WI (US)

(\*\*) Term: **14 Years**

(21) Appl. No.: **29/333,764**

(22) Filed: **Mar. 13, 2009**

**Related U.S. Application Data**

(63) Continuation of application No. 29/303,701, filed on Feb. 14, 2008, now Pat. No. Des. 588,676.

(51) **LOC (9) Cl.** ..... **23-02**

(52) **U.S. Cl.** ..... **D23/308**

(58) **Field of Classification Search** ..... D23/271-274, D23/284-293.1, 303, 308; 4/619, 660, 663-664, 4/630, 638, 624; D6/397, 419, 432, 445  
See application file for complete search history.

(56) **References Cited**

**U.S. PATENT DOCUMENTS**

D287,748 S *	1/1987	Landan et al.	.....	D23/286
D338,949 S *	8/1993	Paulin et al.	.....	D23/271
5,369,818 A	12/1994	Barnum et al.		
5,611,093 A	3/1997	Barnum et al.		
D398,969 S	9/1998	Barnum et al.		
D433,109 S	10/2000	Wilke et al.		
D447,224 S	8/2001	Barnum et al.		
D477,060 S	7/2003	Loberger et al.		

6,643,865 B2	11/2003	Bork et al.		
D496,450 S	9/2004	Loberger et al.		
7,039,963 B2	5/2006	Loberger et al.		
D578,188 S *	10/2008	Hardesty	.....	D23/308

**OTHER PUBLICATIONS**

Bradley Corporation, "School Solutions, A higher Dedication to your Design Needs," © 1999 Bradley Corporation, 6 pages.  
Bradley Corporation, "Frequency Lavatory Systems," © Bradley Corp 2005, 4 pages.  
Bradley Corporation, "Plumbing Fixtures," publicly available by Feb. 14, 2008, 10 pages.

(Continued)

*Primary Examiner*—Robert A Delehanty  
(74) *Attorney, Agent, or Firm*—Foley & Lardner LLP

(57) **CLAIM**

I claim the ornamental design for a lavatory, as shown and described.

**DESCRIPTION**

FIG. 1 is a perspective view of a first embodiment of a lavatory.

FIG. 2 is a front elevation view of the lavatory of FIG. 1.

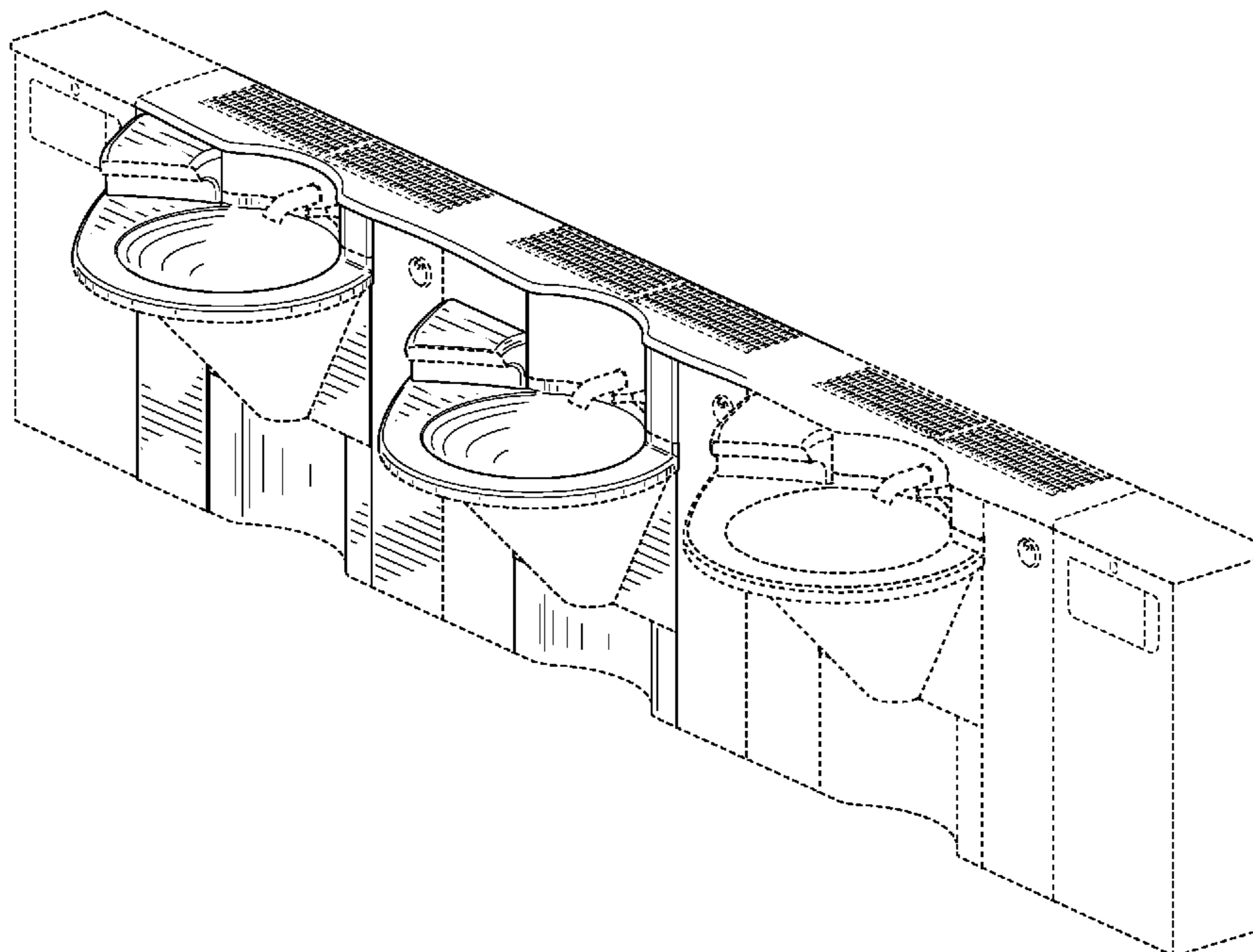
FIG. 3 is a top plan view of the lavatory of FIG. 1.

FIG. 4 is a right-side elevation view of the lavatory of FIG. 1; and,

FIG. 5 is a left-side elevation view of the lavatory of FIG. 1.

The ornamental design which is claimed is shown in solid lines in the drawings. The broken lines in the drawings are for illustrative purposes only and form no part of the claimed design.

**1 Claim, 4 Drawing Sheets**



OTHER PUBLICATIONS

Bradley Corporation, "The ndite™ story," publicly available by Feb. 14, 2008, 2 pages.

Bradley Corporation, "Commercial Washroom Solutions," publicly available by Feb. 14, 2008, 4 pages.

Bradley Corporation, "Total Terreon Concept," © Bradley Corp 2004, 2 pages.

Bradley Corporation, "Terreon Lav Decks," © Bradley Corp 2004, 2 pages.

Bradley Corporation, "Express Lavatory Systems," © Bradley Corp 2004, 4 pages.

Bradley Corporation, "Frequency Lavatory Systems," © Bradley Corp 2004, 4 pages.

Bradley Corporation, "Terreon Washfountains," © Bradley Corp 2004, 2 pages.

Bradley Corporation, "Sentry Washfountains," © Bradley Corp 2004, 2 pages.

Bradley Corporation, "Classic Washfountains," © Bradley Corp 2004, 2 pages.

Bradley Corporation, "Multi-Fount Washfountains," © Bradley Corp 2004, 2 pages.

Bradley Corporation, "Application Guide," © Bradley Corp 2004, 2 pages.

\* cited by examiner

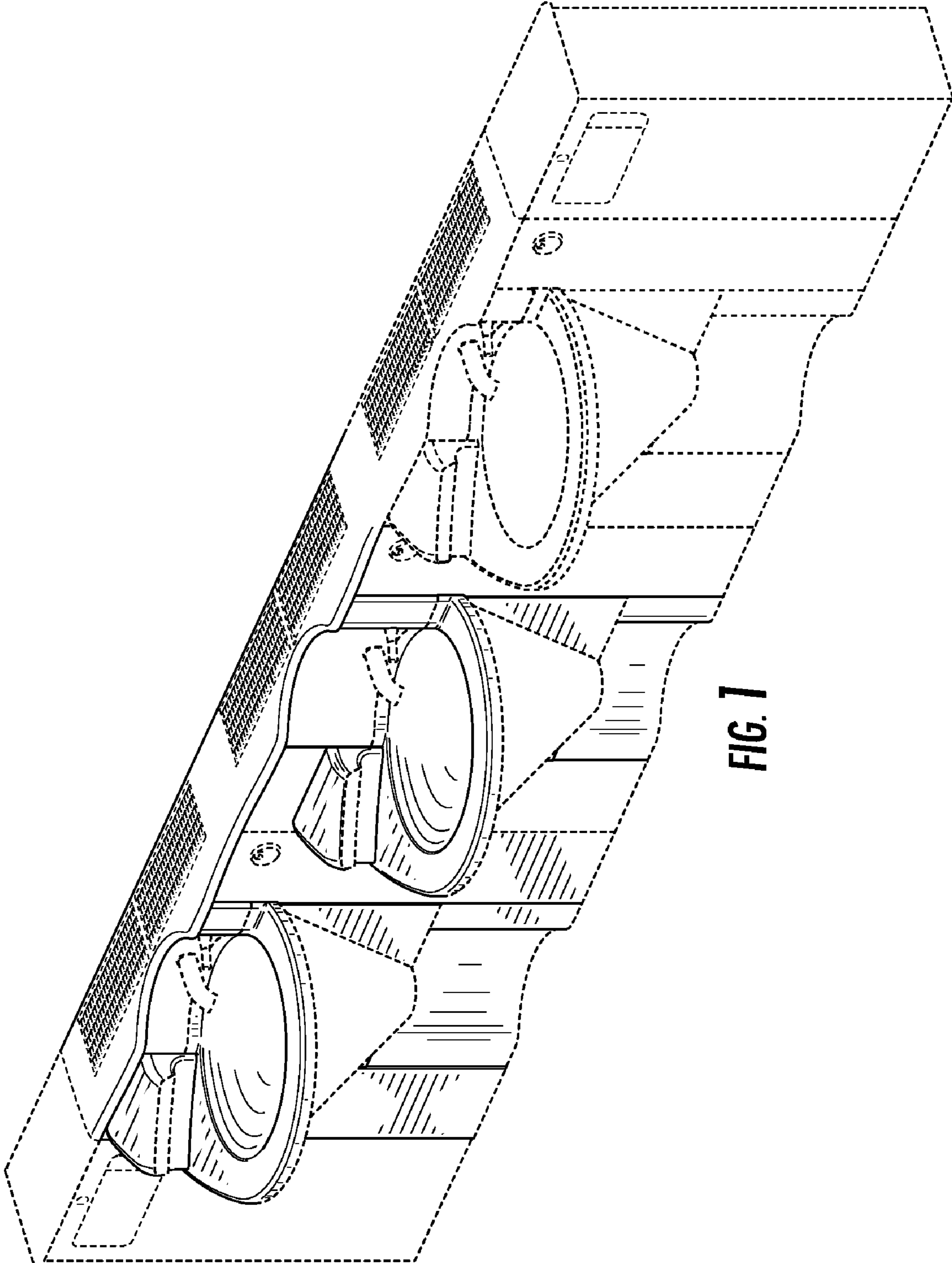


FIG. 1

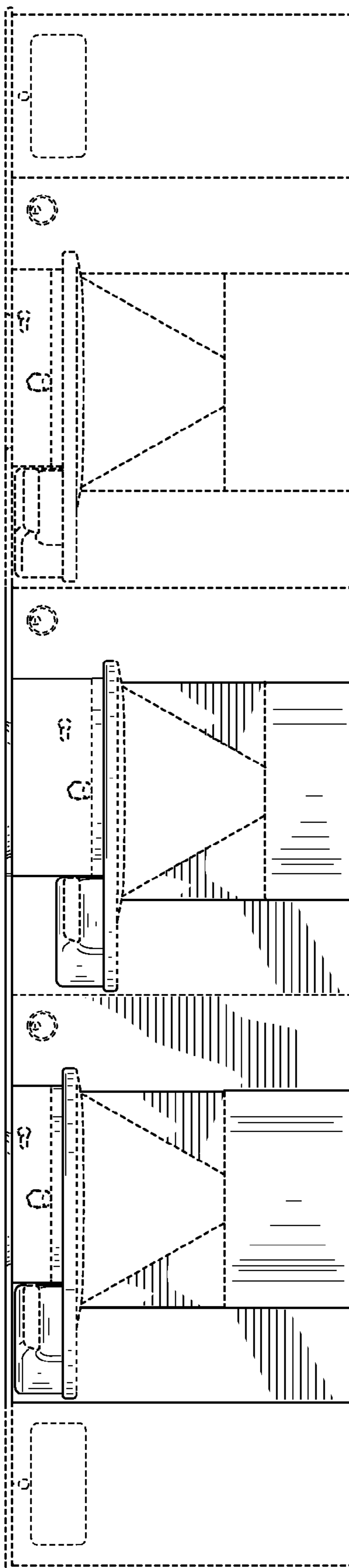


FIG. 2

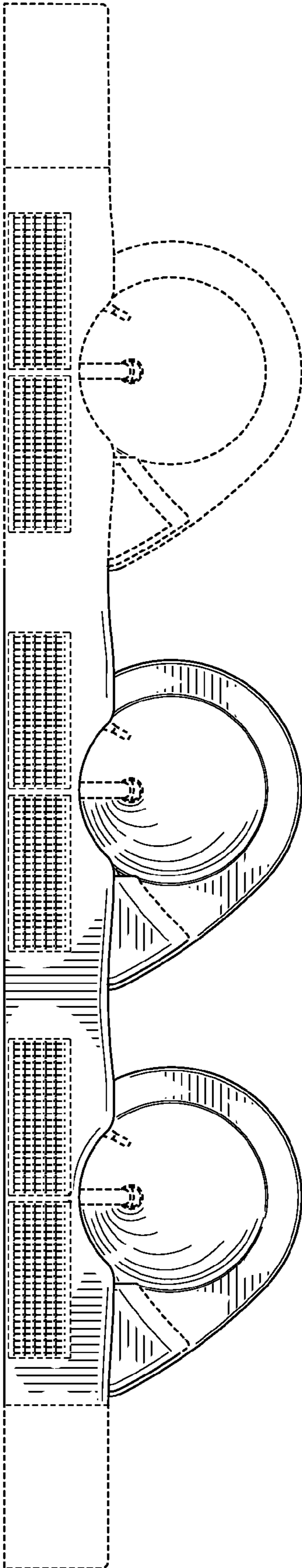
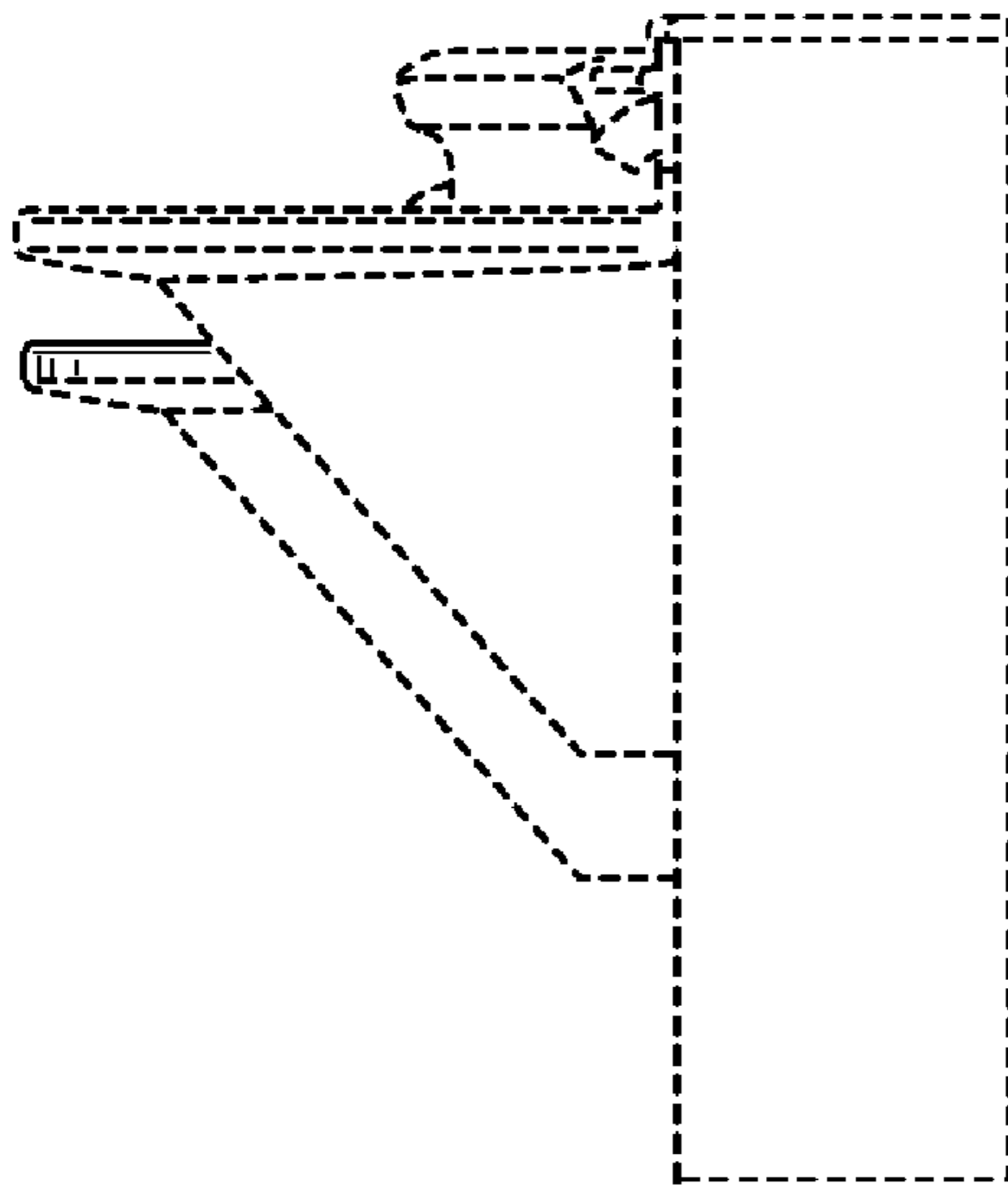
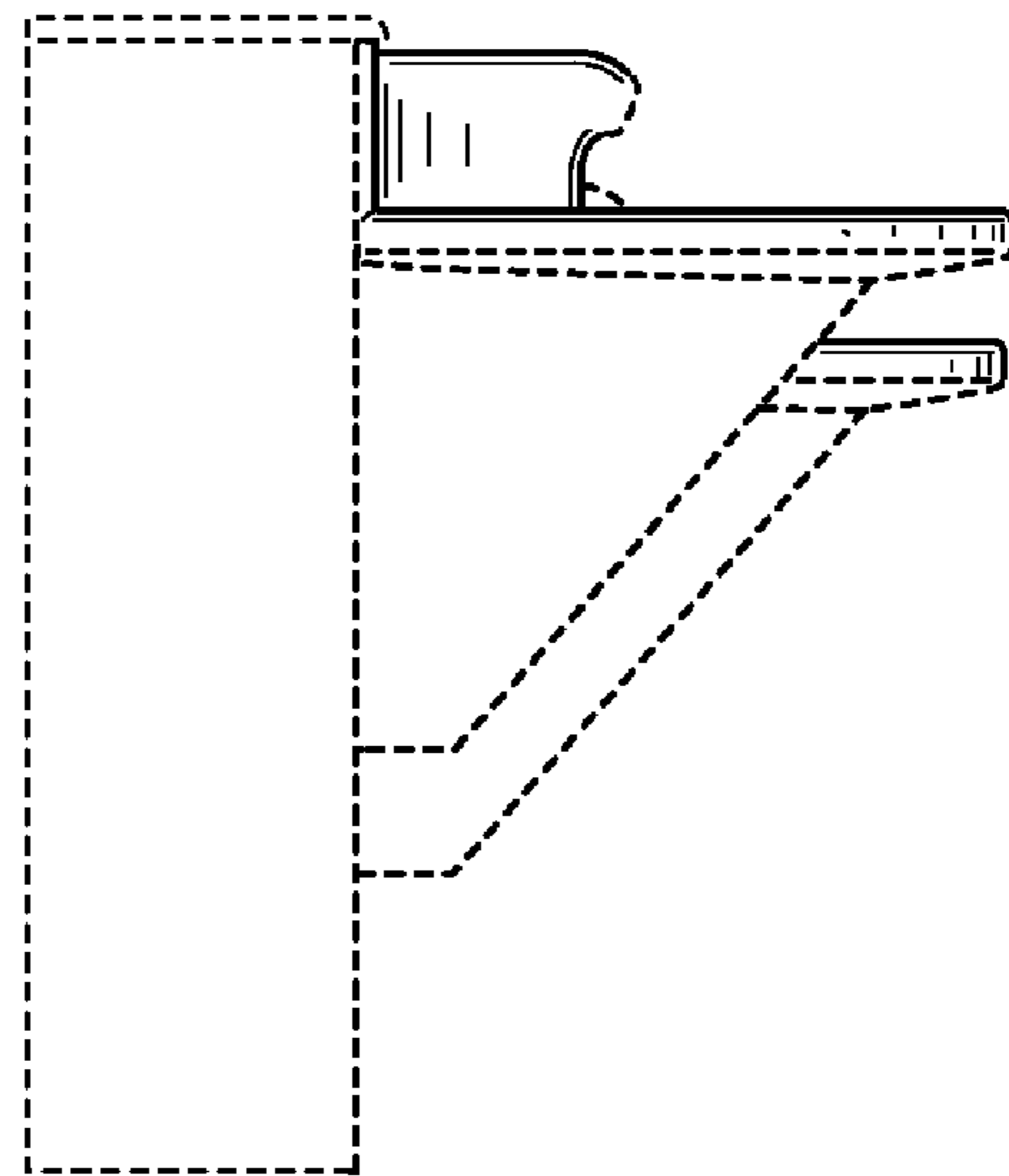


FIG. 3



**FIG. 4**



**FIG. 5**