



US00D610240S

(12) **United States Design Patent**
Tausch

(10) **Patent No.:** **US D610,240 S**

(45) **Date of Patent:** **** Feb. 16, 2010**

(54) **DRAIN ADAPTERS**

(75) Inventor: **Mark J. Tausch**, West Chester, OH (US)

(73) Assignee: **OPW Engineered Systems**, Lebanon, OH (US)

(**) Term: **14 Years**

(21) Appl. No.: **29/338,327**

(22) Filed: **Jun. 9, 2009**

(51) **LOC (9) Cl.** **23-01**

(52) **U.S. Cl.** **D23/262**

(58) **Field of Classification Search** D23/259-269;
285/42, 158, 212, 355, 357, 907; 138/89,
138/96 R, 96 T; 4/255.01, 255.04, 255.07-255.08,
4/256.1

See application file for complete search history.

(56) **References Cited**

U.S. PATENT DOCUMENTS

| | | | | | |
|--------------|------|---------|---------------|-------|---------|
| 4,151,864 | A * | 5/1979 | Thurman | | 138/106 |
| D374,067 | S * | 9/1996 | Crook | | D23/261 |
| D375,786 | S * | 11/1996 | Morris | | D23/260 |
| 5,882,043 | A * | 3/1999 | Murphy et al. | | 285/42 |
| 5,934,331 | A * | 8/1999 | Earl | | 138/89 |
| D443,680 | S * | 6/2001 | Cummings | | D23/266 |
| 6,508,267 | B1 * | 1/2003 | Rippolone | | 137/317 |
| 6,687,926 | B1 * | 2/2004 | Bayley | | 4/681 |
| 2002/0032926 | A1 * | 3/2002 | Lewis | | 4/680 |

(Continued)

OTHER PUBLICATIONS

API Bottom Loading Accessories, 1004DRN Drain Adapter, [Available 1999], [Retrieved Jun. 9, 2009], Retrieved from the internet <URL:http://opw-es.com/www/en/opwes/products/

chemicalindustrial/loadingrackequipment/ loadingarmcomponents/apicouplers1004drn-1004pa-accessories.jsp>.

Primary Examiner—T. Chase Nelson

Assistant Examiner—Eric L Goodman

(74) *Attorney, Agent, or Firm*—Dinsmore & Shohl LLP

(57) **CLAIM**

The ornamental design for drain adapters, as shown and described.

DESCRIPTION

FIG. 1 is a perspective view of a first embodiment of a drain adapter;

FIG. 2 is a top view of the drain adapter of FIG. 1;

FIG. 3 is a bottom view of the drain adapter of FIG. 1;

FIG. 4 is a right side view of the drain adapter of FIG. 1;

FIG. 5 is a left side view of the drain adapter of FIG. 1;

FIG. 6 is a front view of the drain adapter of FIG. 1;

FIG. 7 is a back view of the drain adapter of FIG. 1;

FIG. 8 is a perspective view of a second embodiment of a drain adapter;

FIG. 9 is a top view of the drain adapter of FIG. 8;

FIG. 10 is a bottom view of the drain adapter of FIG. 8;

FIG. 11 is a right side view of the drain adapter of FIG. 8;

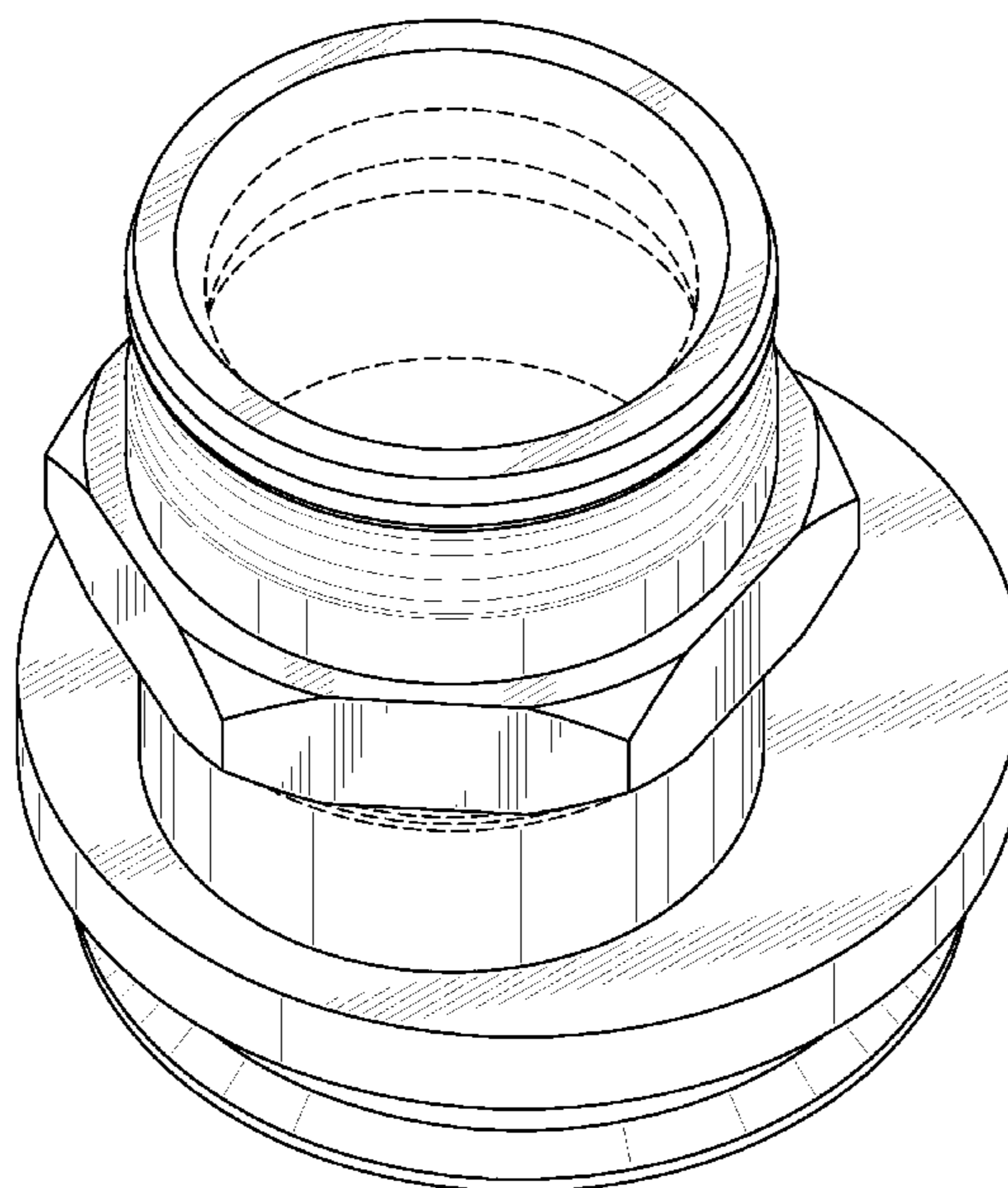
FIG. 12 is a left side view of the drain adapter of FIG. 8;

FIG. 13 is a front view of the drain adapter of FIG. 8; and,

FIG. 14 is a back view of the drain adapter of FIG. 8.

The phantom lines and areas shown in the figures are for illustrative purposes only and are not a part of the presently claimed design.

1 Claim, 14 Drawing Sheets



US D610,240 S

Page 2

| | | | | | |
|-----------------------|------------------|----------|-----------------|----------|---------------------|
| U.S. PATENT DOCUMENTS | 2008/0229494 A1* | 9/2008 | DeGooyer et al. | | 4/613 |
| 2005/0279388 A1* | 12/2005 | Schmitt | | 134/22.1 | |
| 2007/0056088 A1* | 3/2007 | DeGooyer | | 4/613 | * cited by examiner |

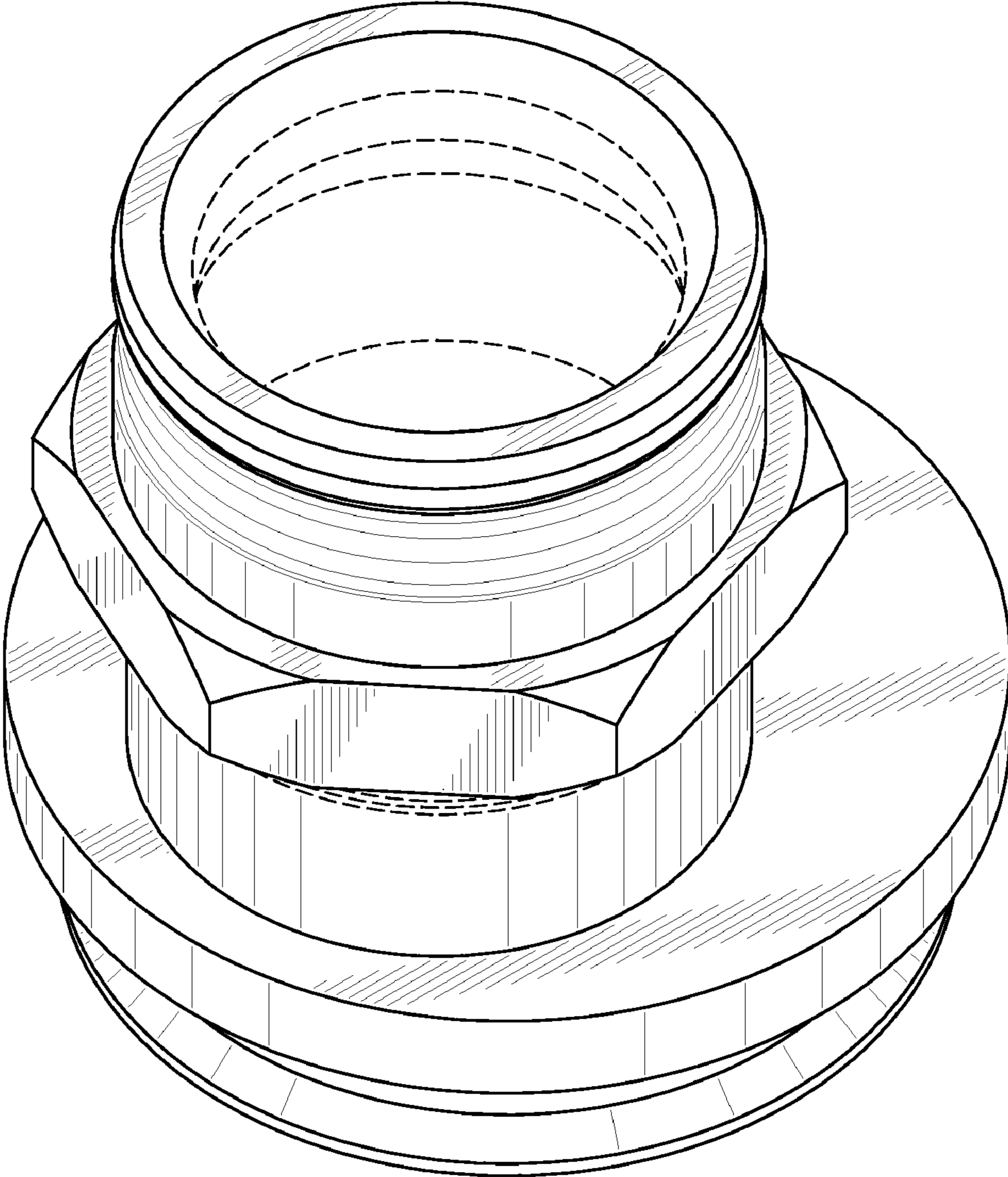


FIG. 1

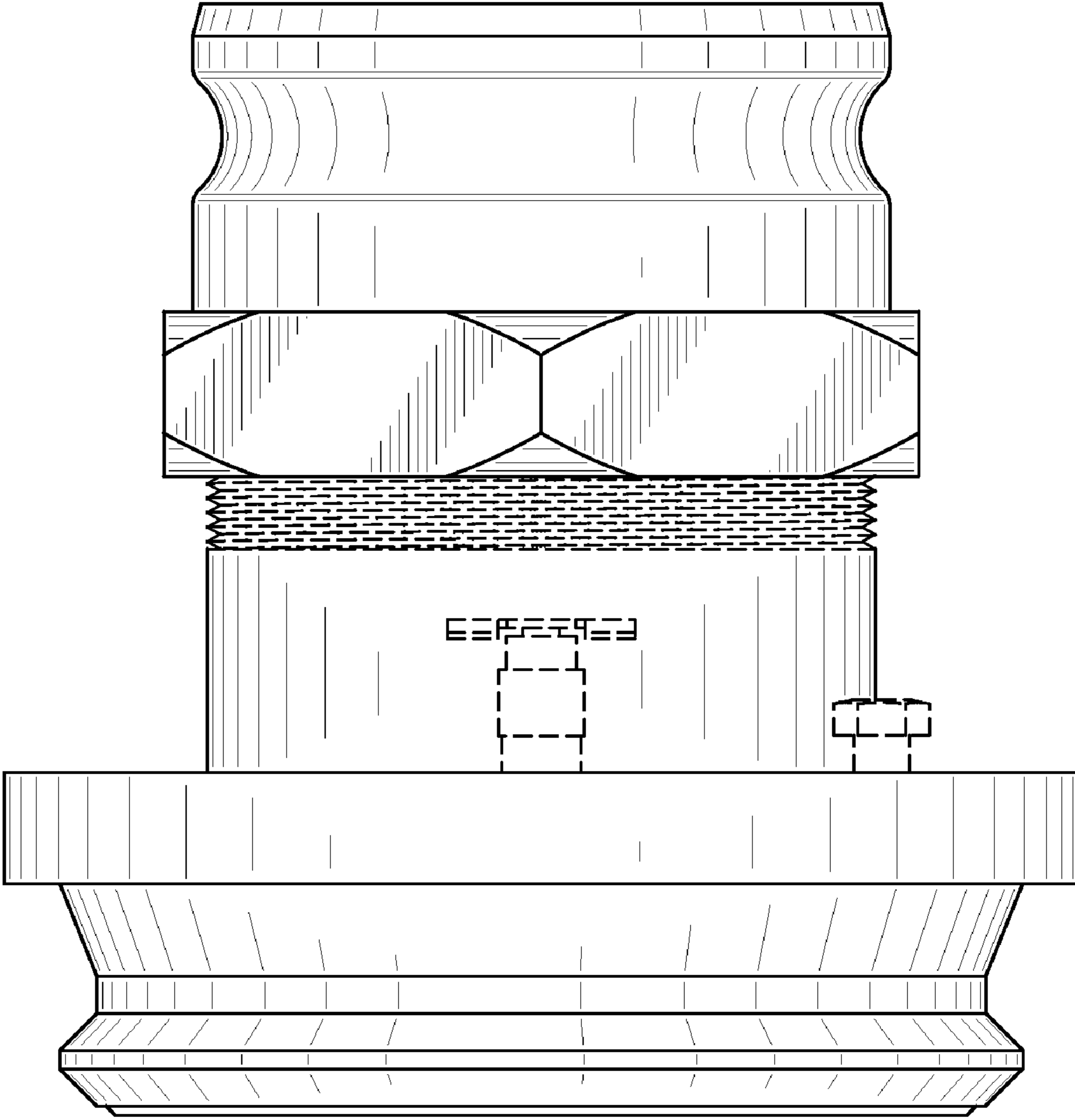


FIG. 2

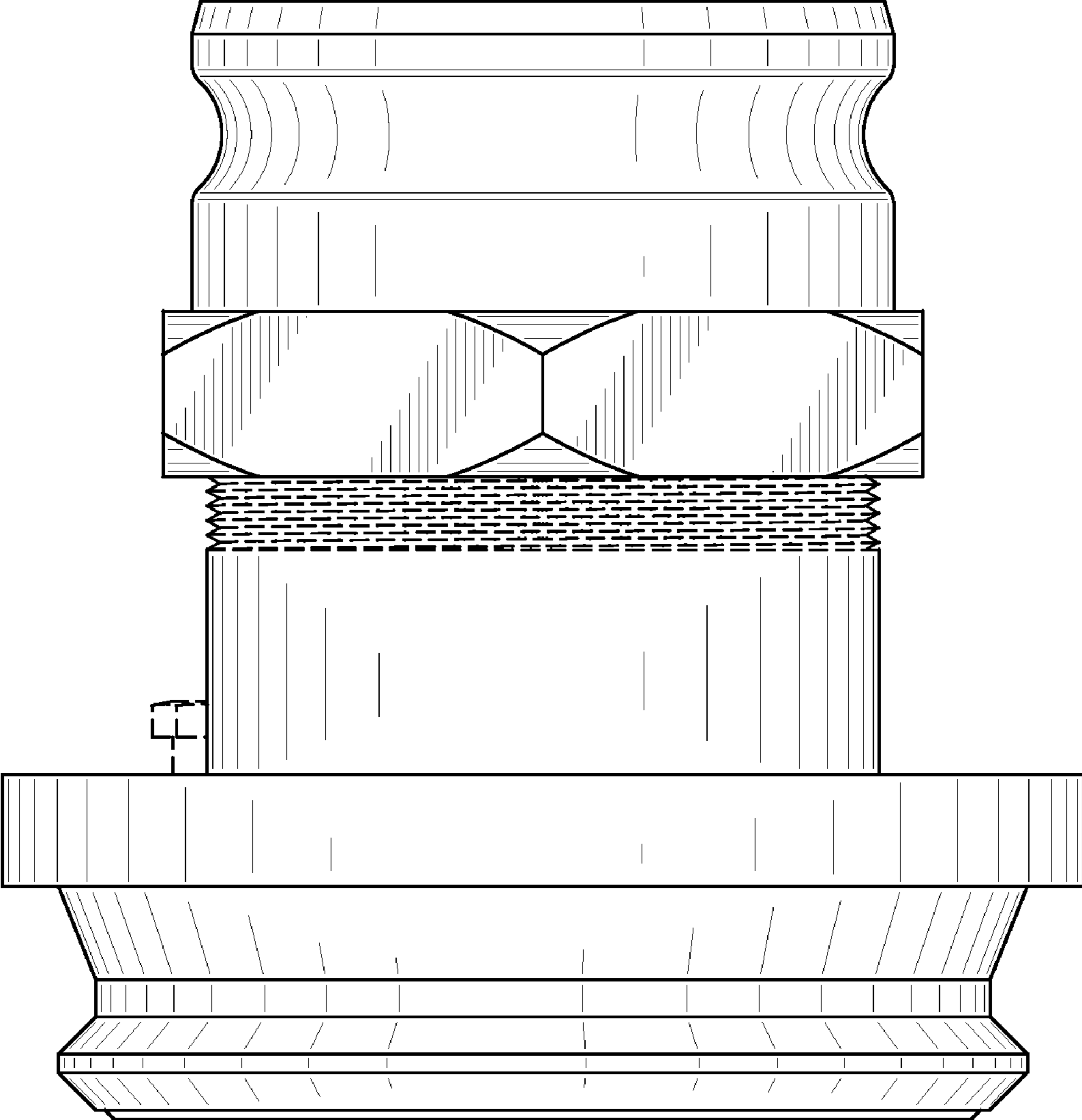


FIG. 3

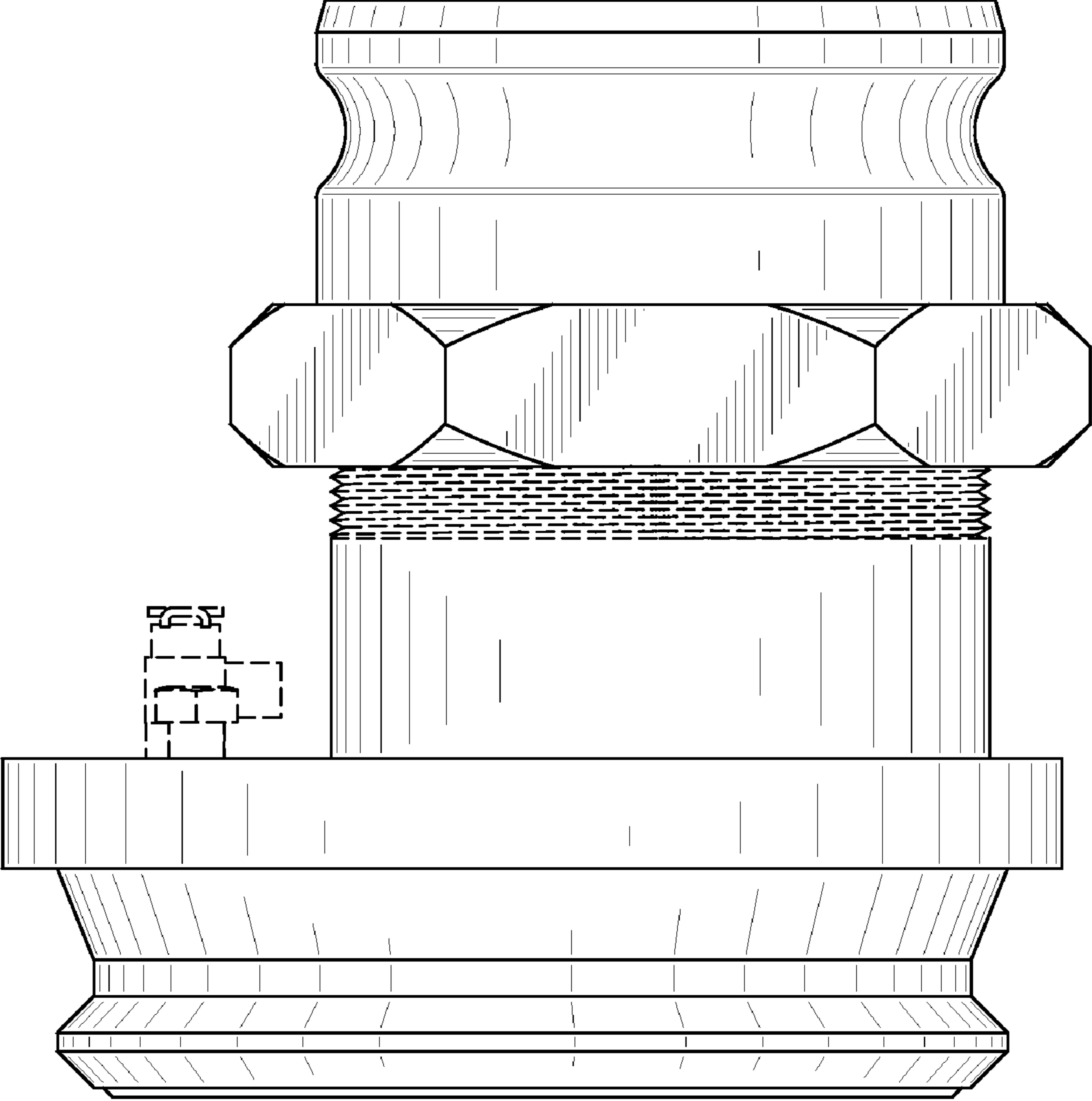


FIG. 4

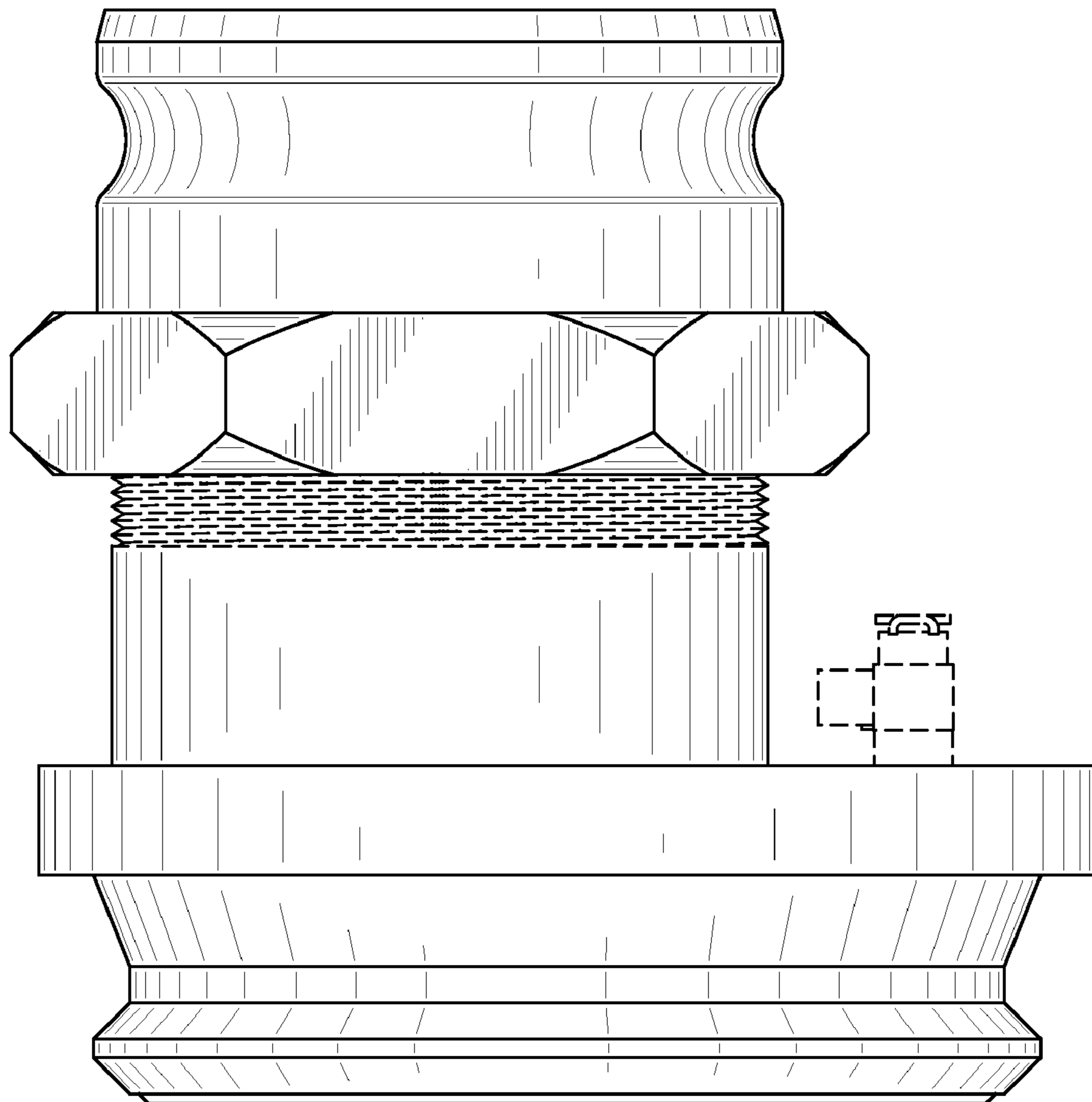


FIG. 5

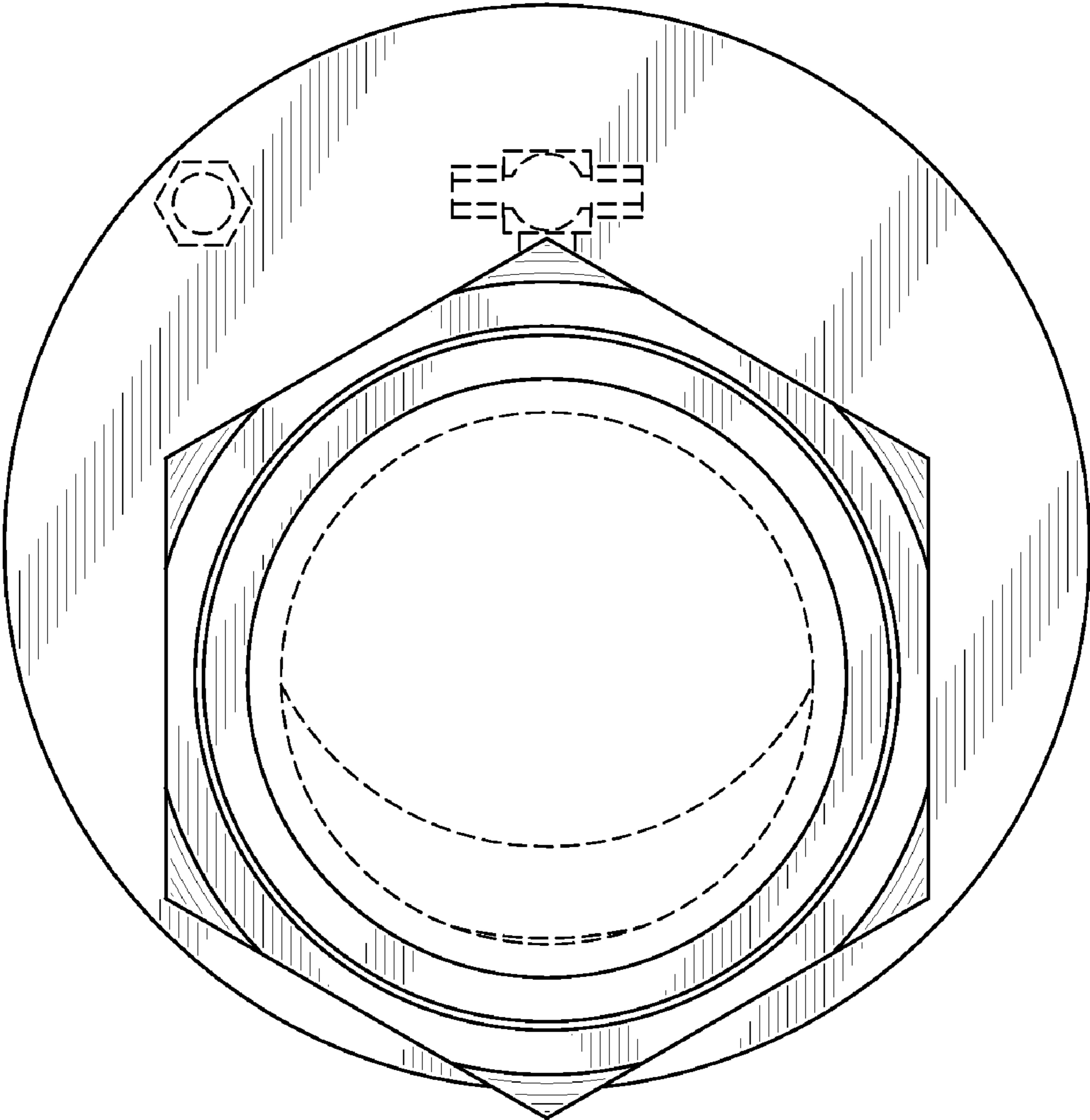


FIG. 6

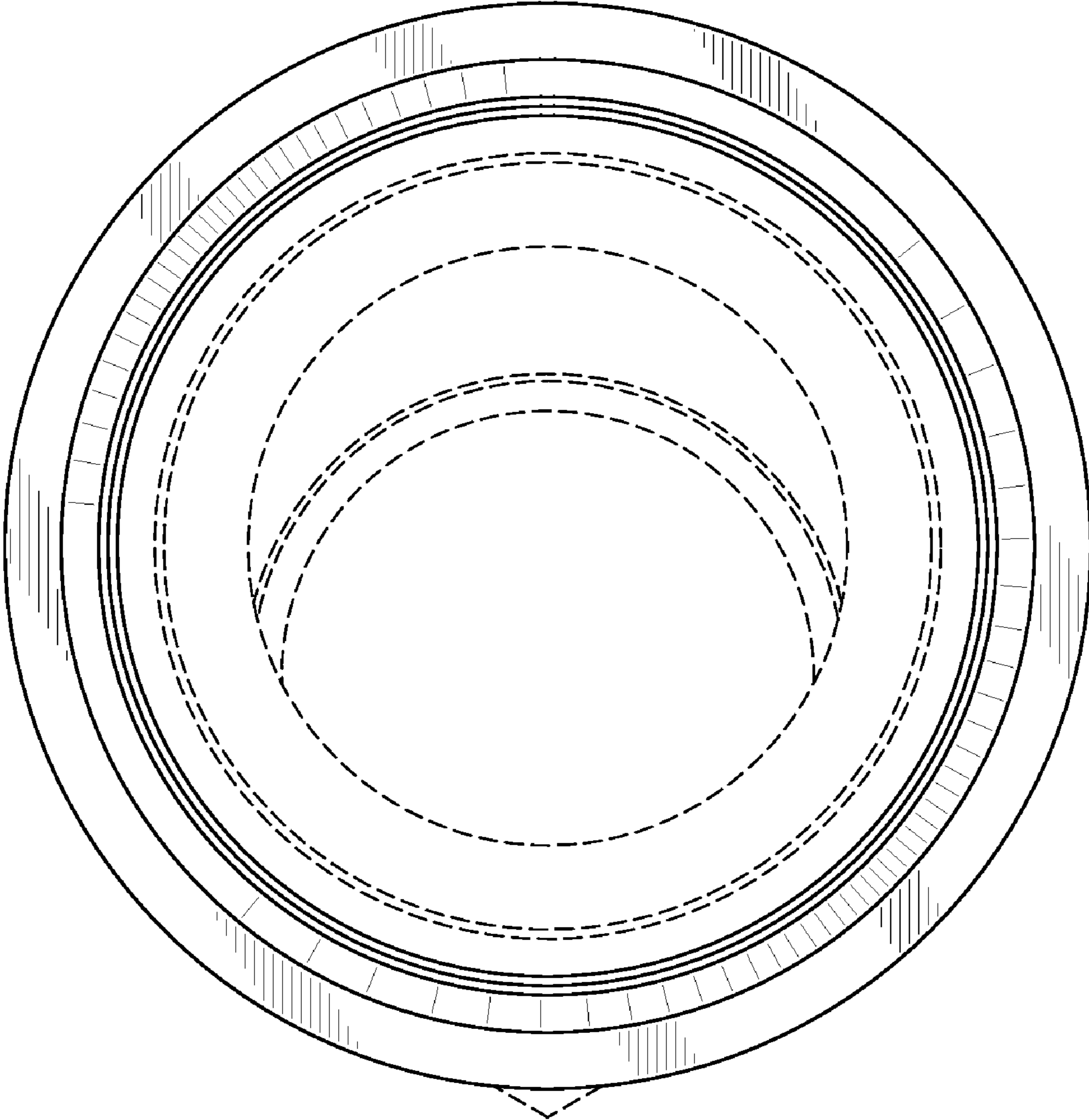


FIG. 7

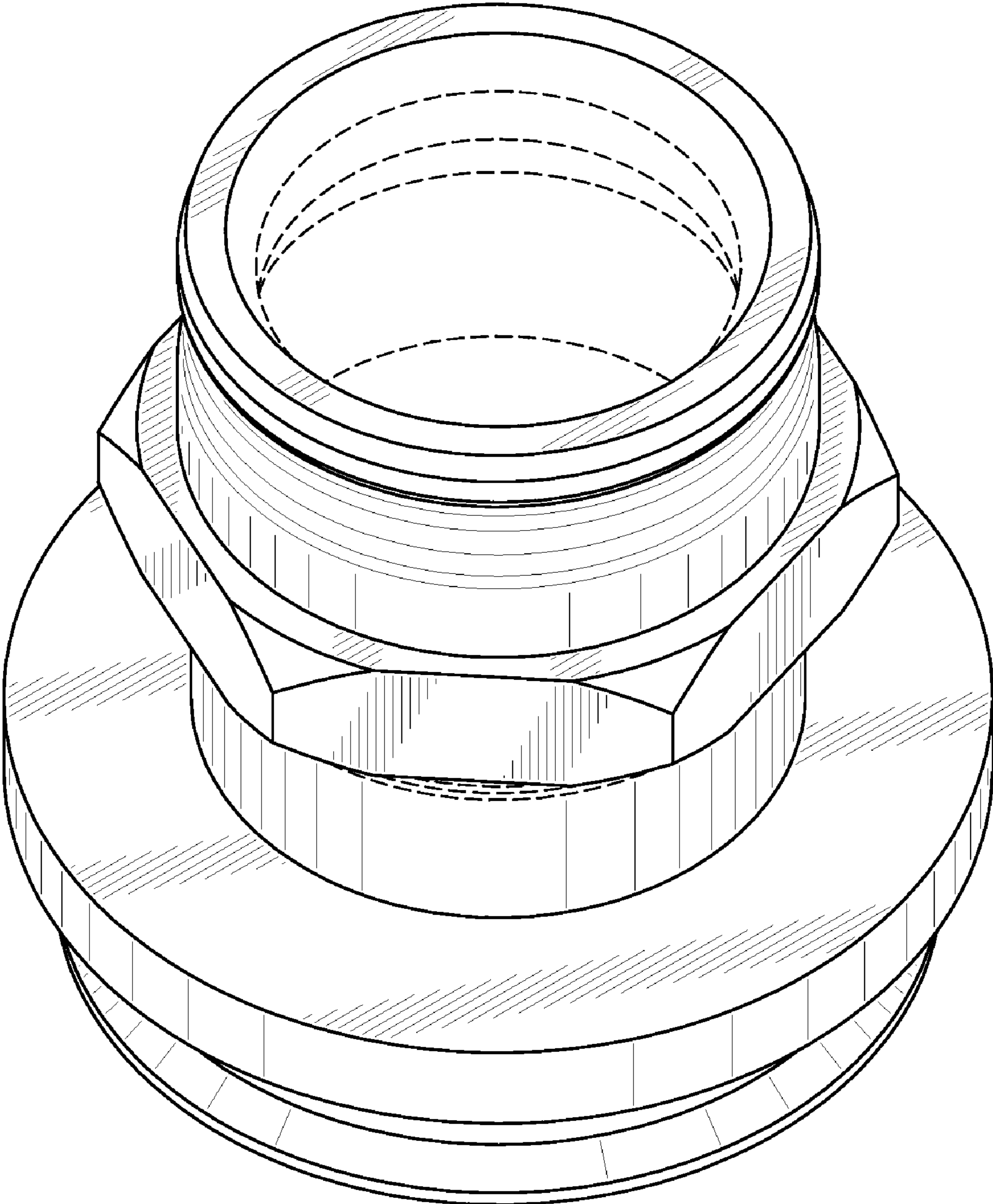


FIG. 8

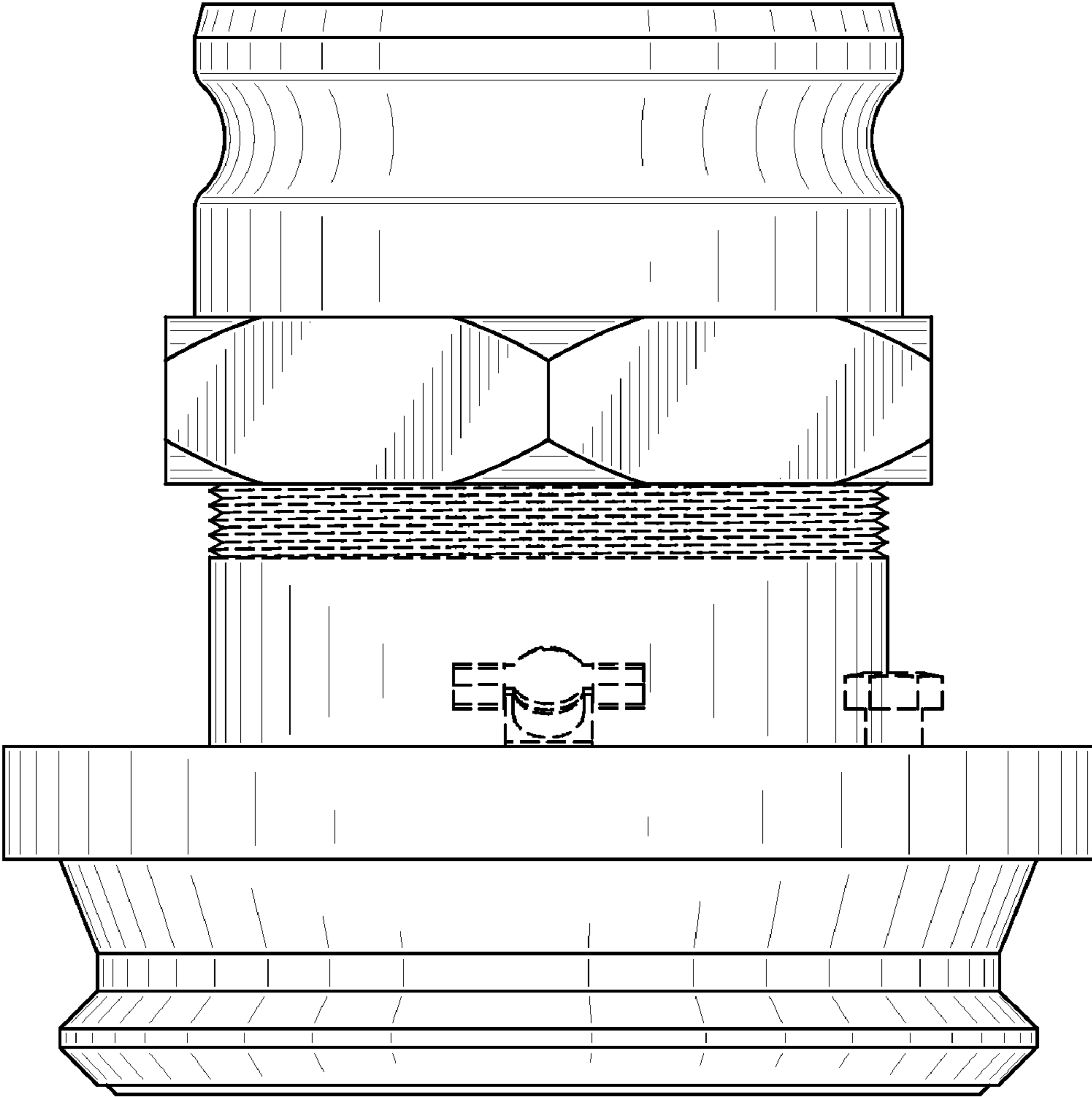


FIG. 9

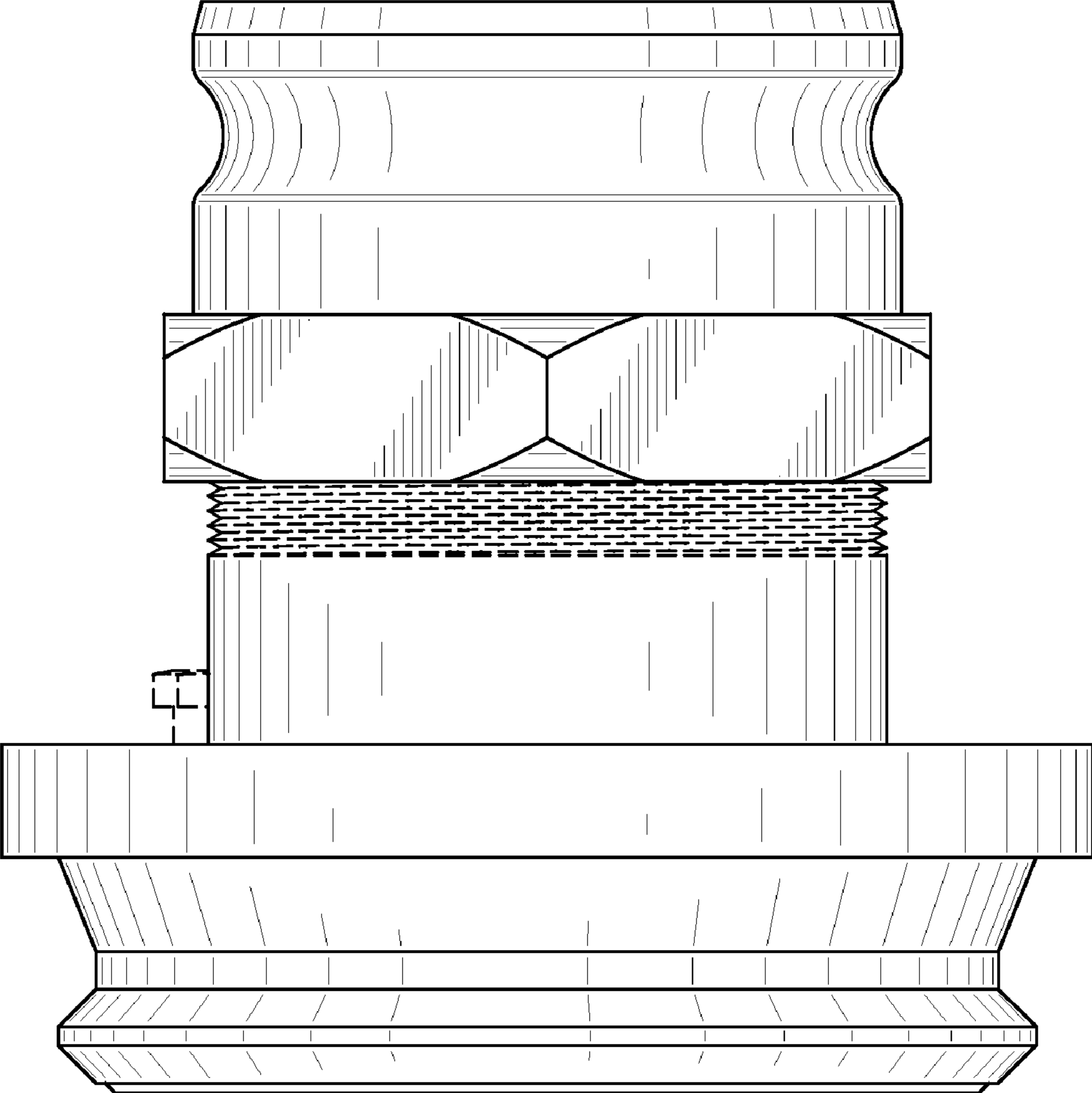


FIG. 10

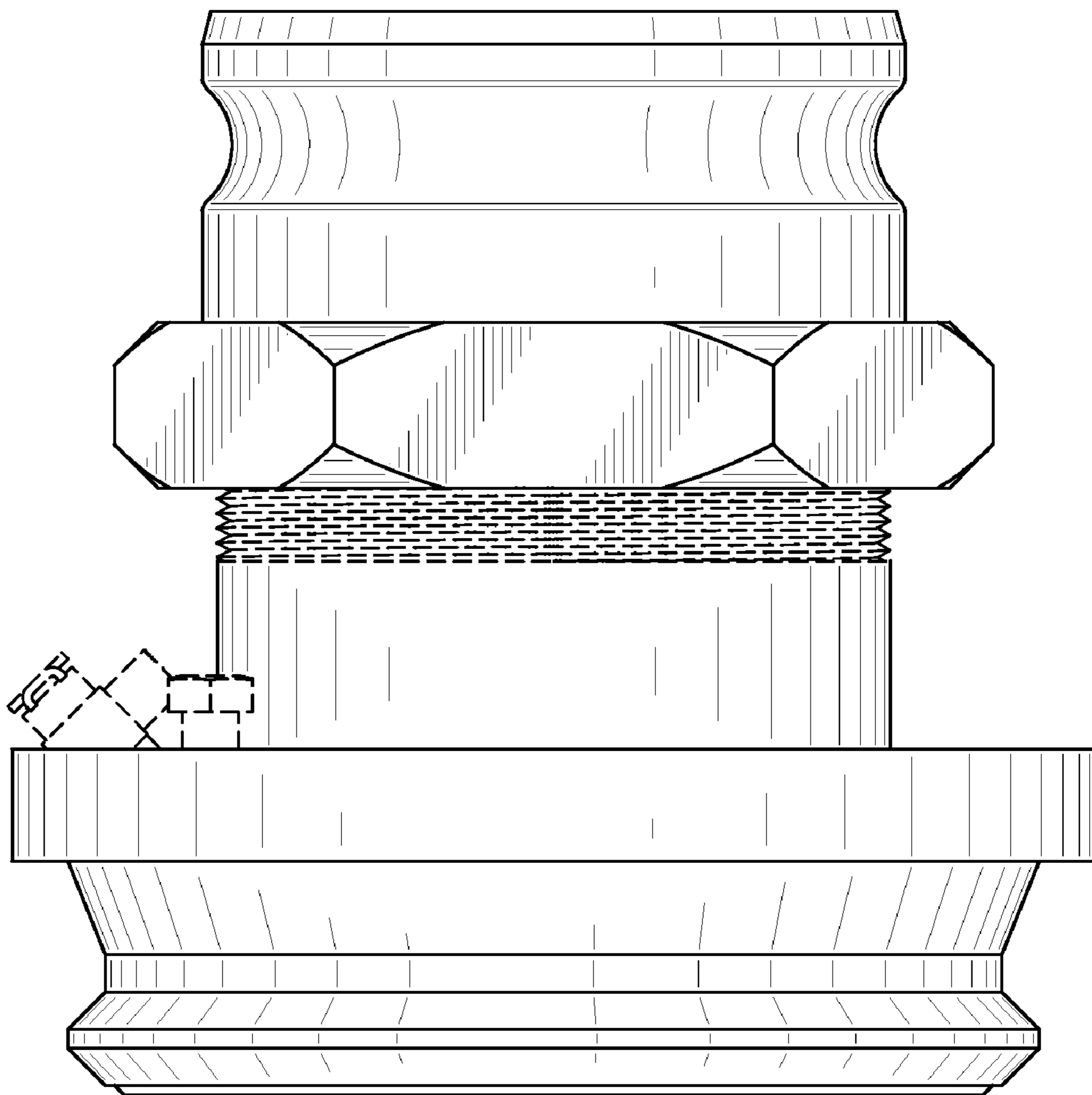


FIG. 11

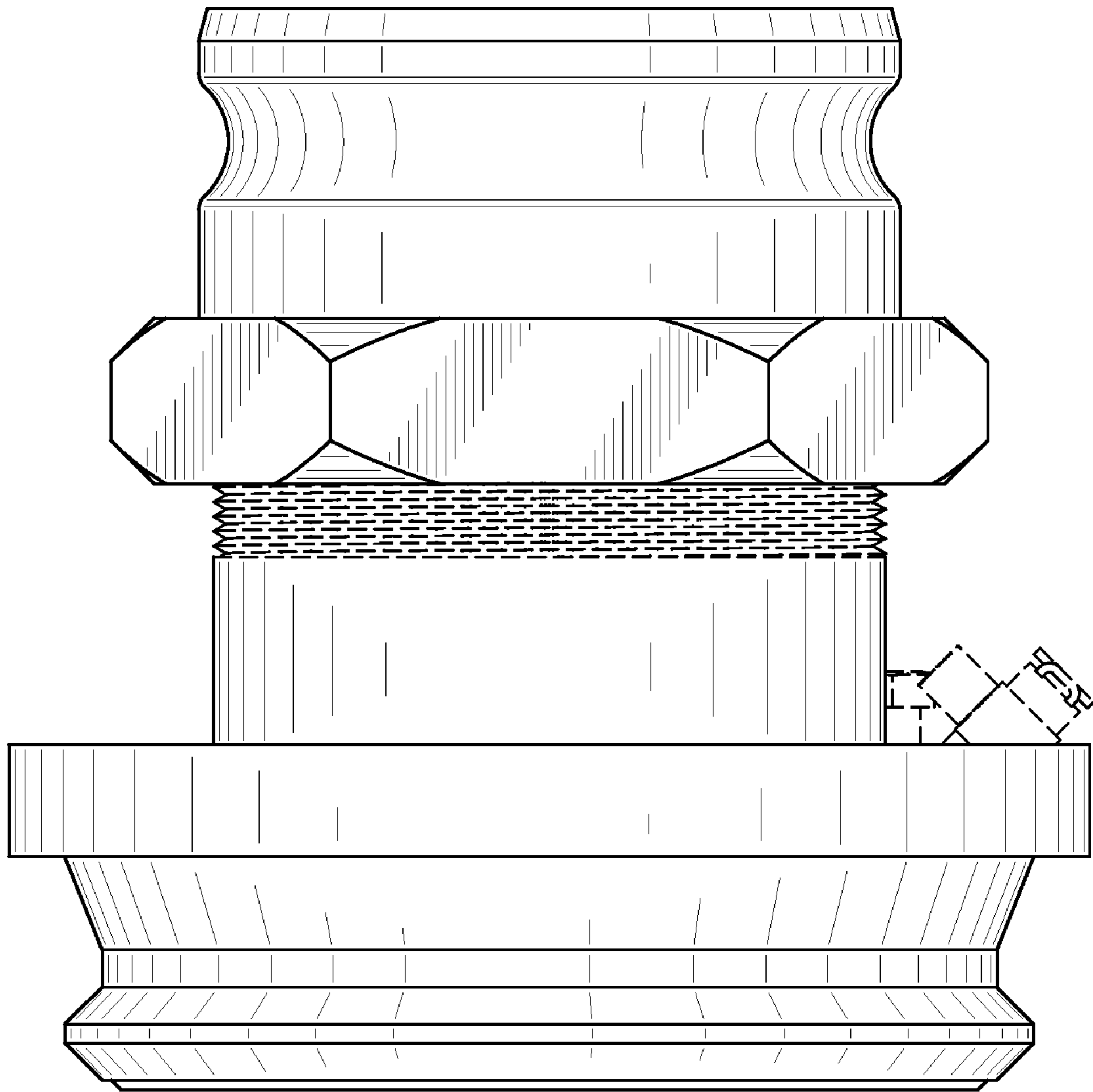


FIG. 12

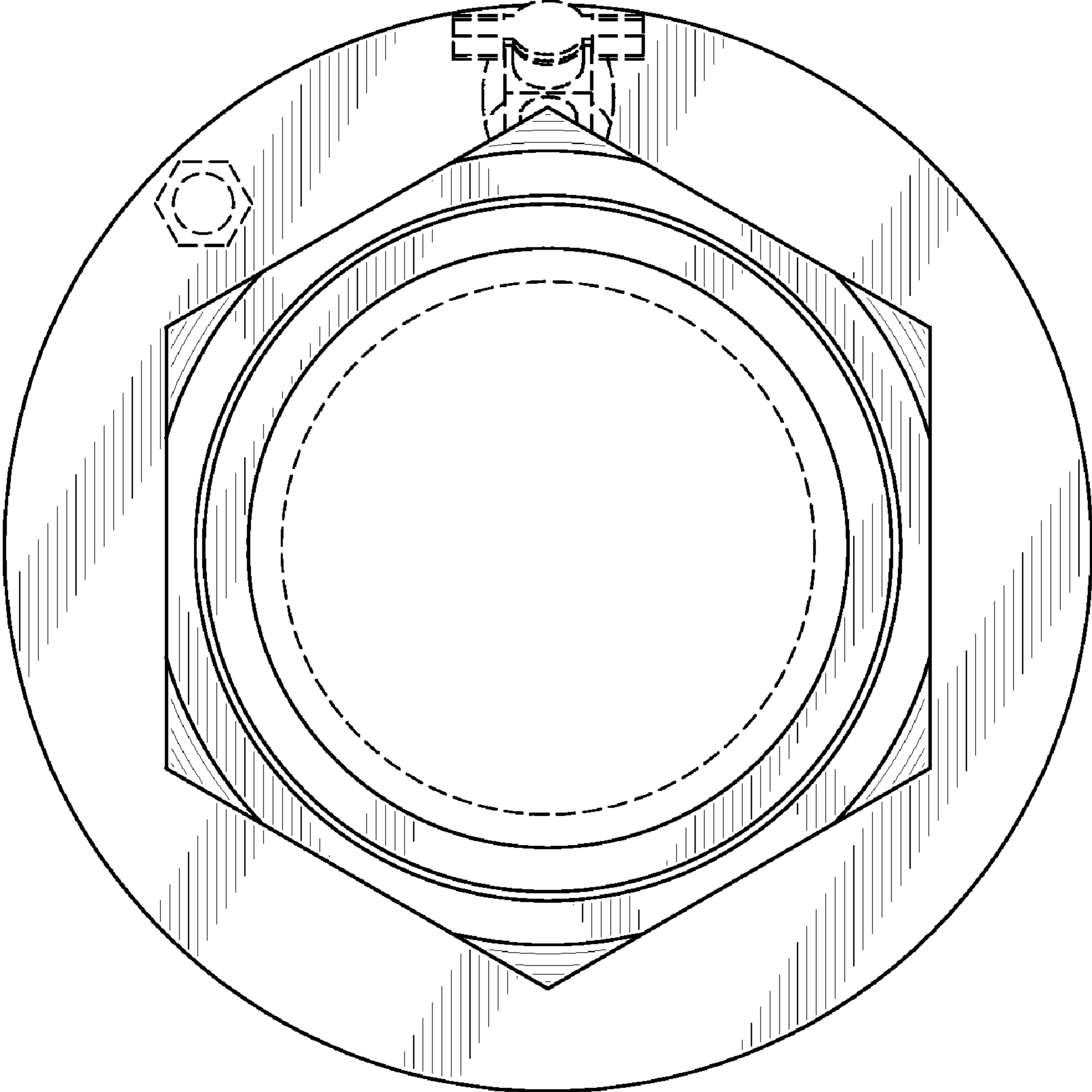


FIG. 13

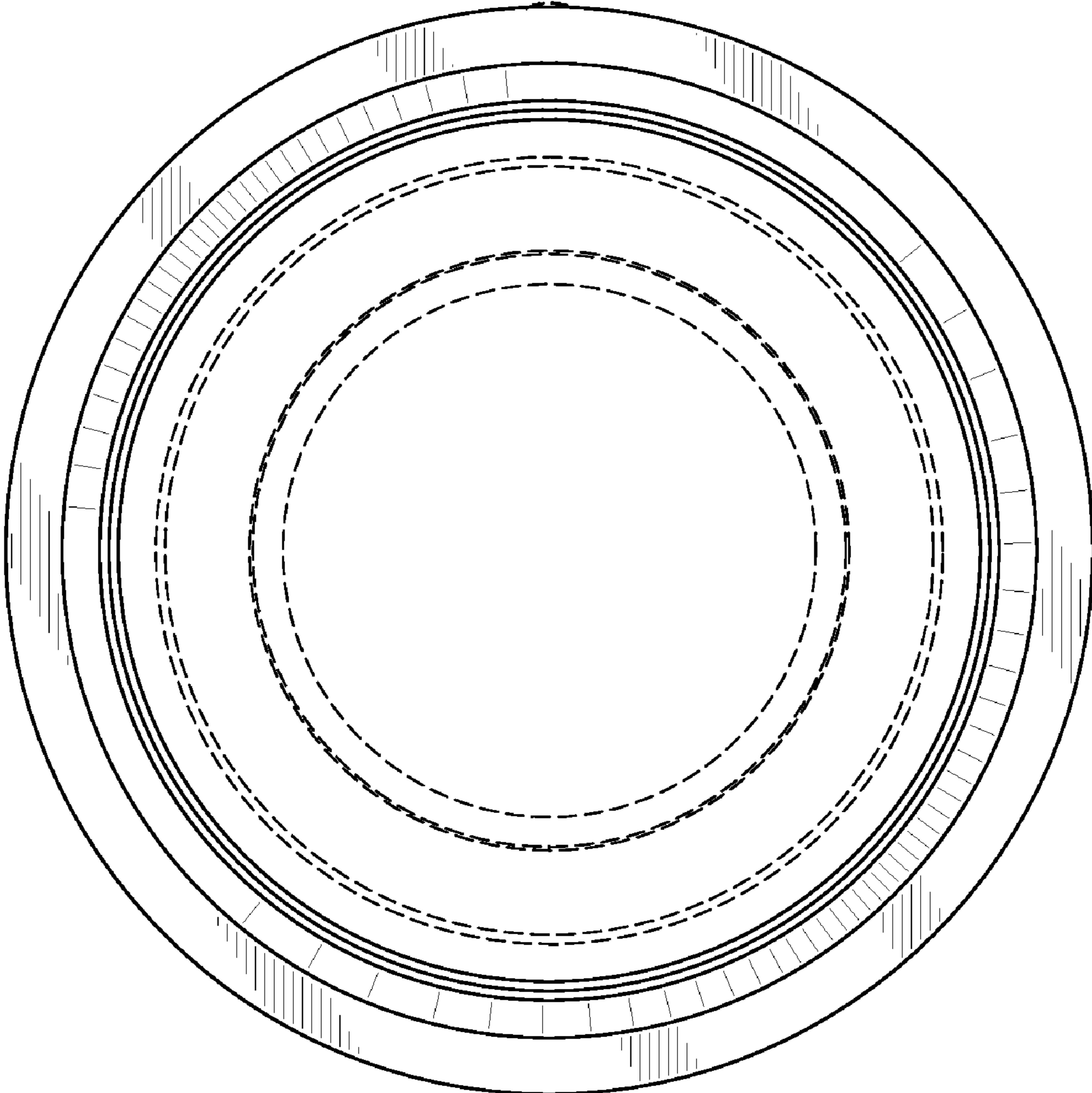


FIG. 14