



US00D610238S

(12) **United States Design Patent**
Urquiola

(10) **Patent No.:** **US D610,238 S**

(45) **Date of Patent:** **** Feb. 16, 2010**

(54) **SHOWER CONTROL**

D585,528 S * 1/2009 Urquiola D23/255
D598,522 S * 8/2009 Schoenherr et al. D23/254

(75) Inventor: **Patricia Urquiola**, Milan (IT)

(73) Assignee: **Hansgrohe AG**, Schiltach (DE)

* cited by examiner

(**) Term: **14 Years**

Primary Examiner—Robert A Delehanty

(21) Appl. No.: **29/333,602**

(74) *Attorney, Agent, or Firm*—Nirav D. Parikh; Edgar A. Zarins

(22) Filed: **Mar. 12, 2009**

(57) **CLAIM**

(30) **Foreign Application Priority Data**

The ornamental design for a shower control, as shown and described.

Sep. 23, 2008 (EM) 001007330-0011

DESCRIPTION

(51) **LOC (9) Cl.** **23-01**

FIG. 1 is a perspective view of a shower control showing my design;

(52) **U.S. Cl.** **D23/250**

FIG. 2 is a front elevational view thereof;

(58) **Field of Classification Search** D23/238–243,
D23/250, 252–254; 4/676–678; 137/801,
137/359; 16/110.1; D8/350–353; D6/550
See application file for complete search history.

FIG. 3 is a left side elevational view thereof; the right side elevational view being a mirror image thereof;

(56) **References Cited**

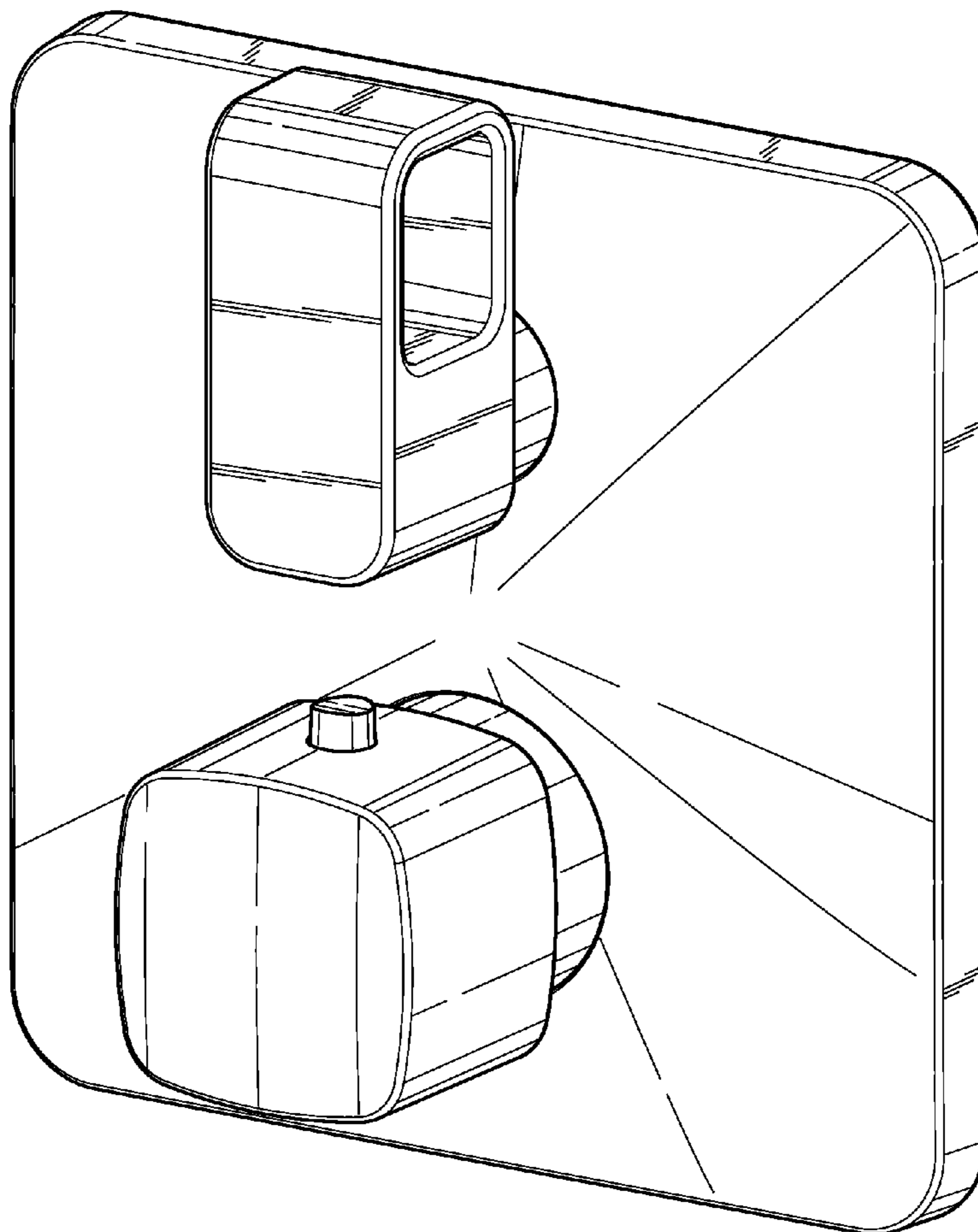
FIG. 4 is a top plan view thereof; and,

U.S. PATENT DOCUMENTS

FIG. 5 is a bottom plan view thereof.

D540,919 S * 4/2007 Soriano D23/249
D576,711 S * 9/2008 Urquiola D23/250

1 Claim, 5 Drawing Sheets



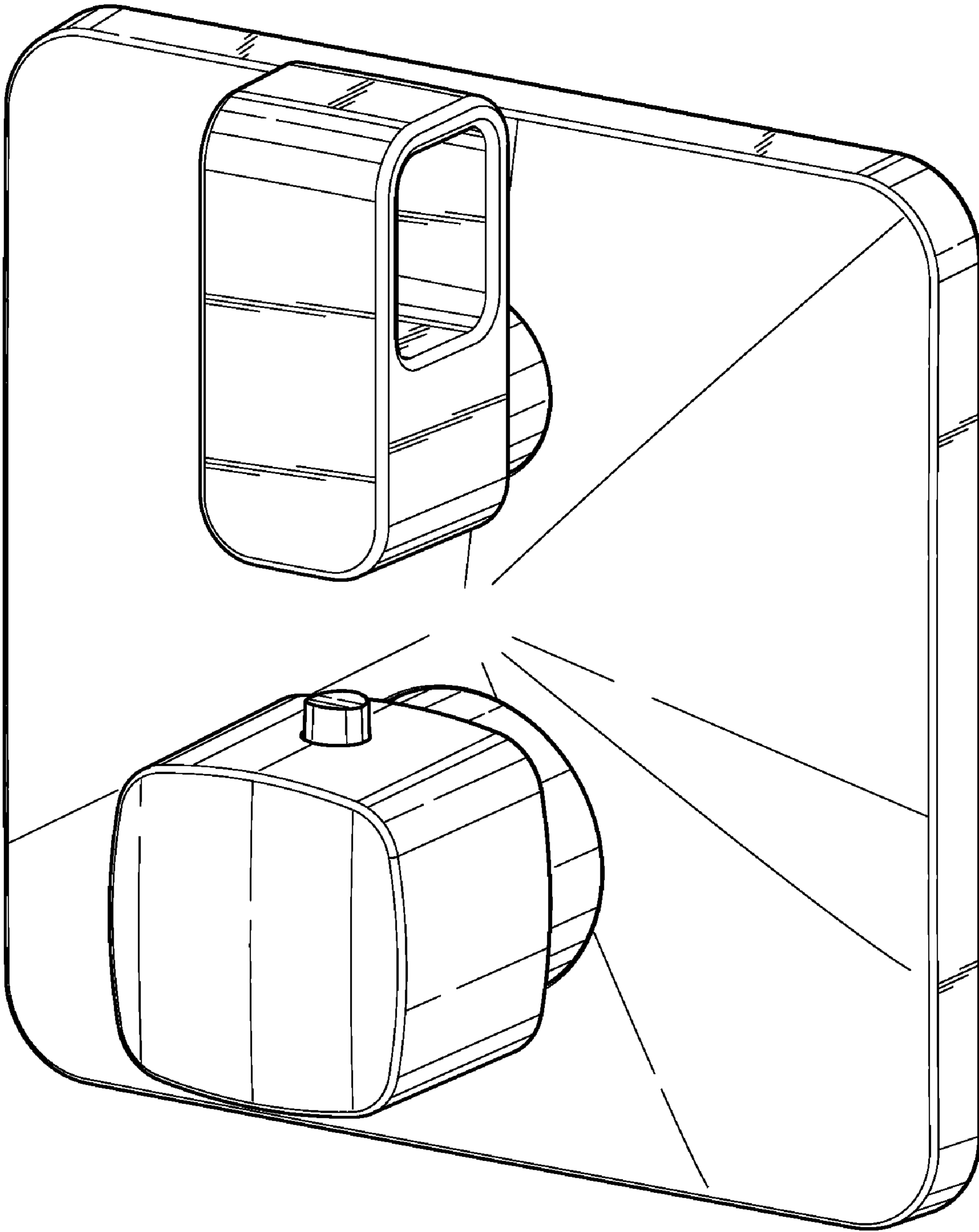


FIG. 1

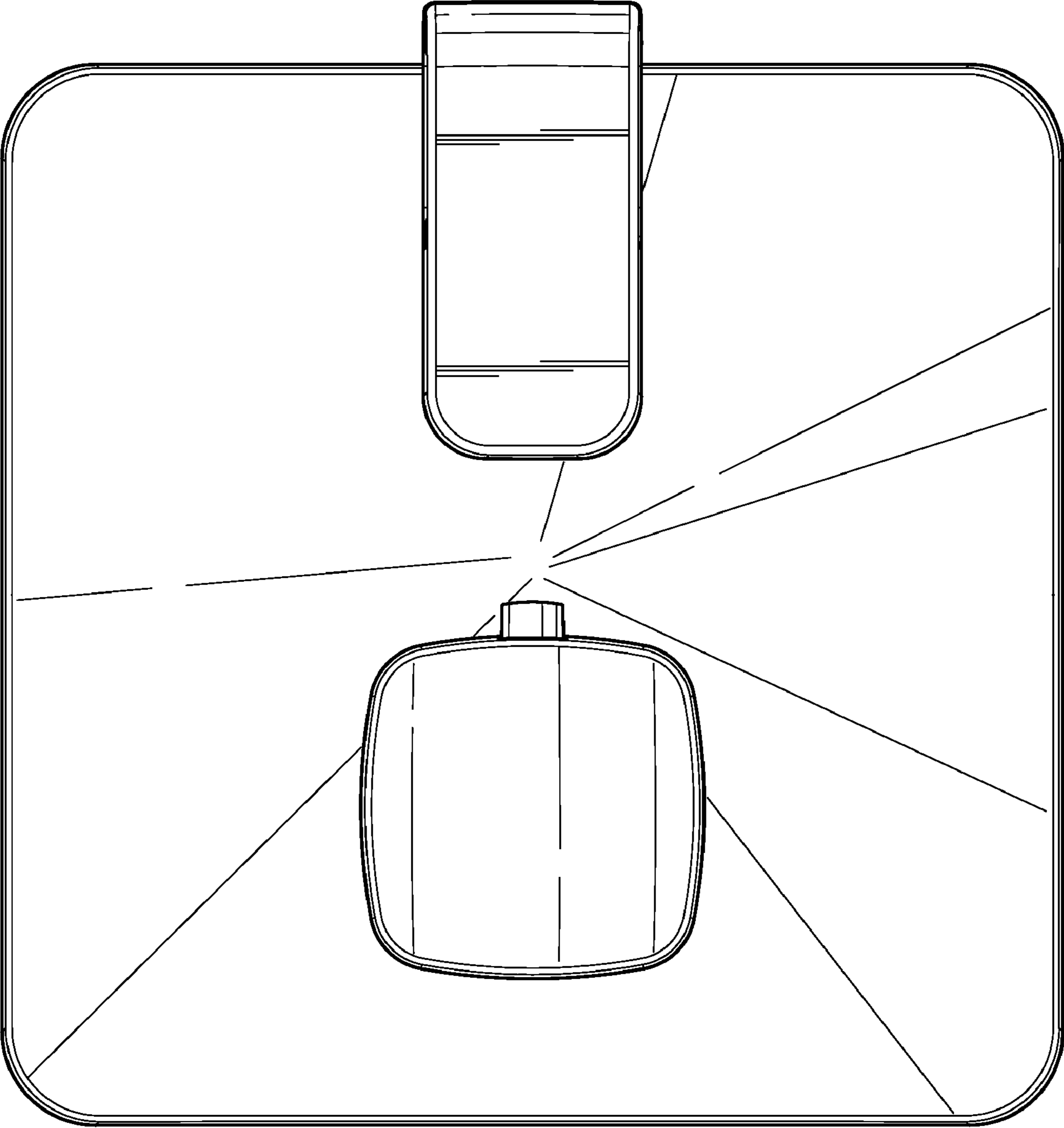


FIG. 2

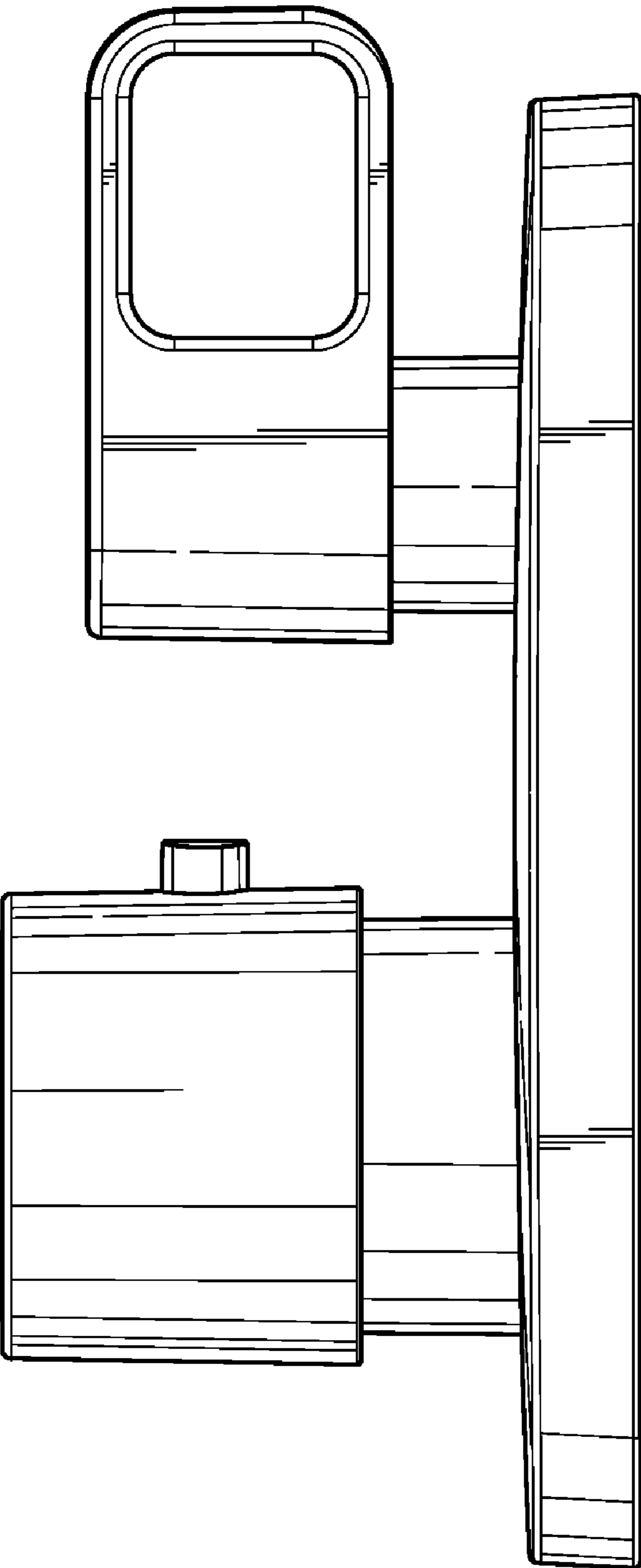


FIG. 3

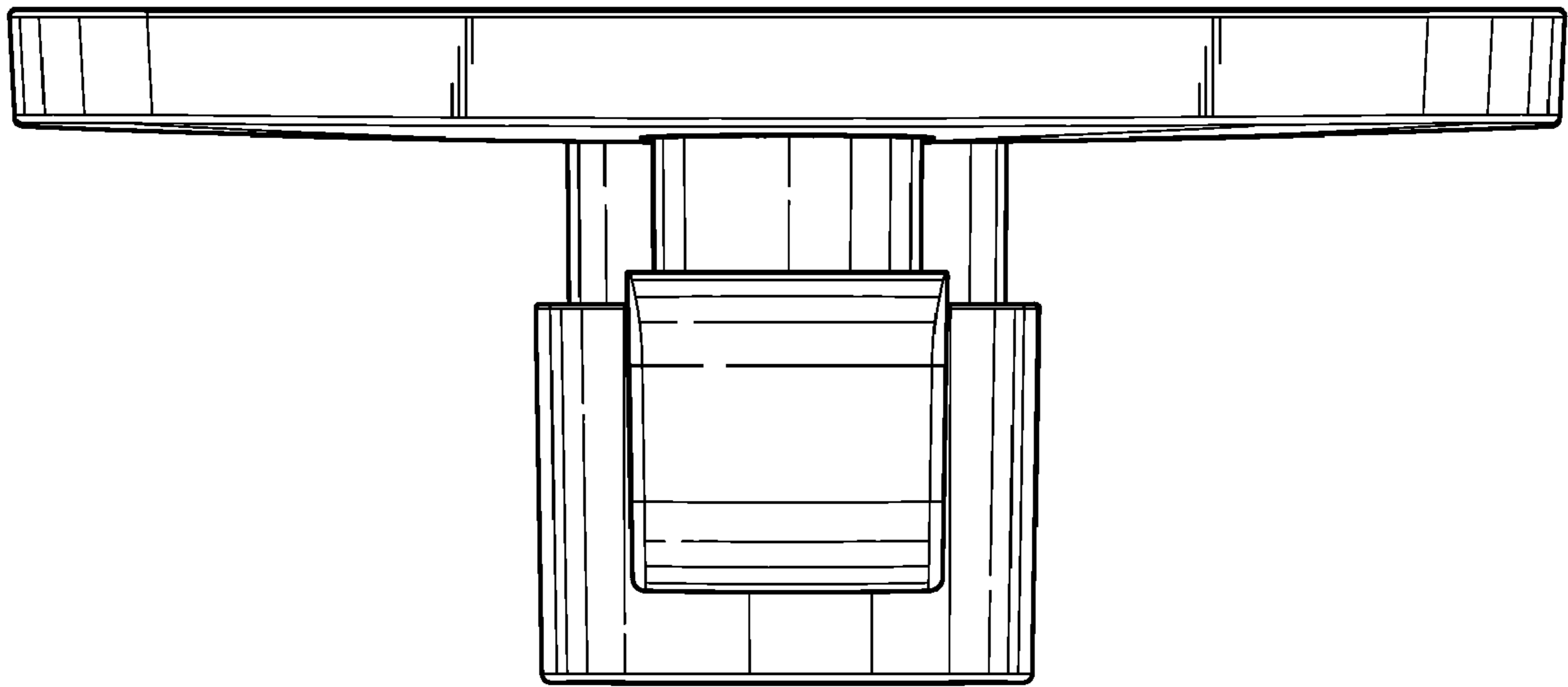


FIG. 4

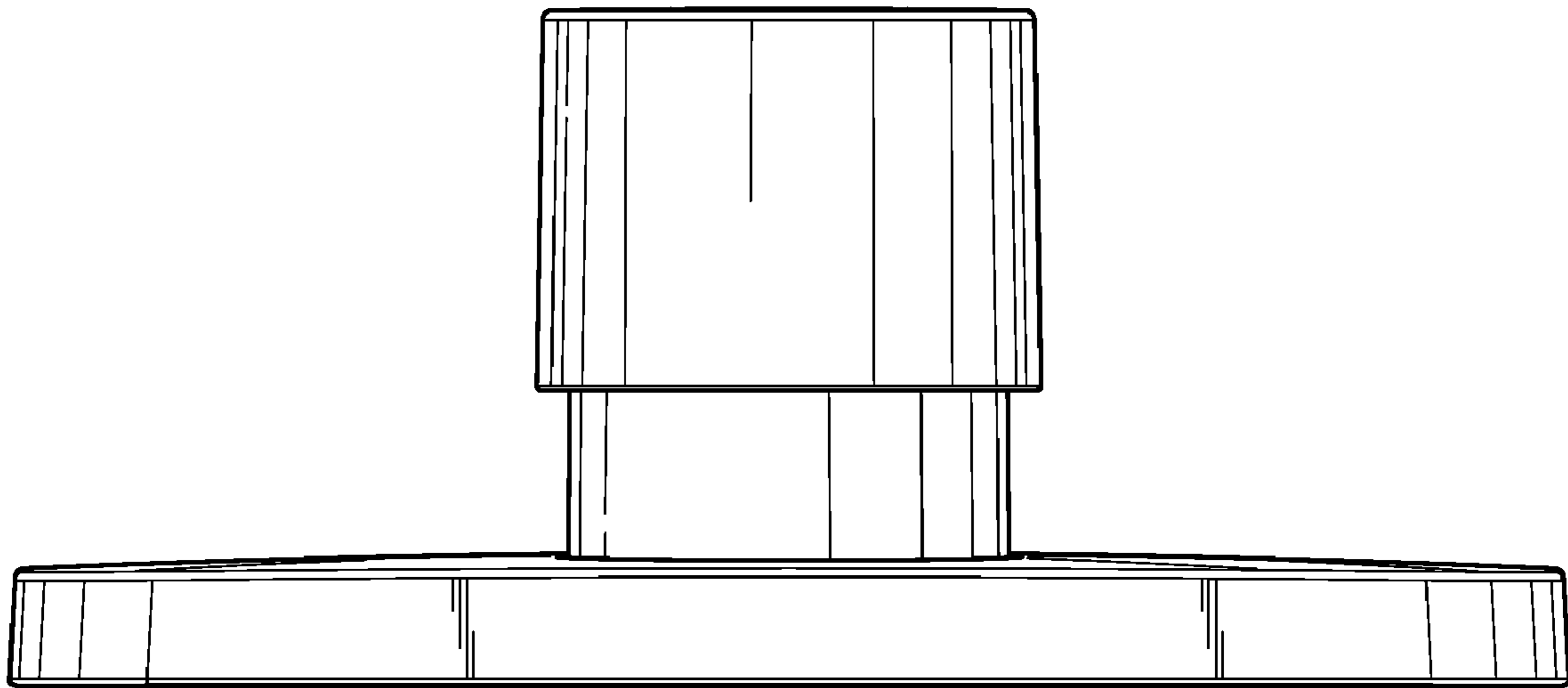


FIG. 5