



US00D610237S

(12) **United States Design Patent**
Schonherr et al.

(10) **Patent No.:** **US D610,237 S**

(45) **Date of Patent:** **** Feb. 16, 2010**

(54) **KITCHEN OR BATH CONTROL**

(75) Inventors: **Tom Schonherr**, Stuttgart (DE);
Manfred Dorn, Stuttgart (DE)

(73) Assignee: **Hansgrohe AB**, Schiltach (DE)

(**) Term: **14 Years**

(21) Appl. No.: **29/282,123**

(22) Filed: **Jul. 12, 2007**

(30) **Foreign Application Priority Data**

Jan. 15, 2007 (EM) 000652490-0001

(51) **LOC (9) Cl.** **23-01**

(52) **U.S. Cl.** **D23/245**

(58) **Field of Classification Search** D23/254,
D23/249, 213; D10/106; 700/85, 83; 345/156;
138/46; 340/407.2; D13/168, 164
See application file for complete search history.

(56) **References Cited**

U.S. PATENT DOCUMENTS

D290,640 S * 6/1987 Andersson D23/249
D382,941 S * 8/1997 Nortier D23/249
5,995,877 A * 11/1999 Brueggemann et al. 700/85
6,571,831 B1 * 6/2003 Hart 138/46
D519,617 S * 4/2006 Hoernig D23/255
D530,782 S * 10/2006 Starck D23/238
D534,250 S * 12/2006 Barry D23/254

D542,384 S * 5/2007 Starck D23/254
D553,708 S * 10/2007 Garner D23/213
D590,476 S * 4/2009 Schonherr et al. D23/213
D596,710 S * 7/2009 Starck D23/238
D598,074 S * 8/2009 Starck D23/254

* cited by examiner

Primary Examiner—Cathron C Brooks

Assistant Examiner—Austin Murphy

(74) *Attorney, Agent, or Firm*—Nirav D. Parikh; Edgar A. Zarins

(57) **CLAIM**

The ornamental design for a kitchen or bath control, as shown and described.

DESCRIPTION

FIG. 1 is a front perspective view of a kitchen or bath control showing our design;

FIG. 2 is a front elevational view thereof;

FIG. 3 is a rear elevational view thereof;

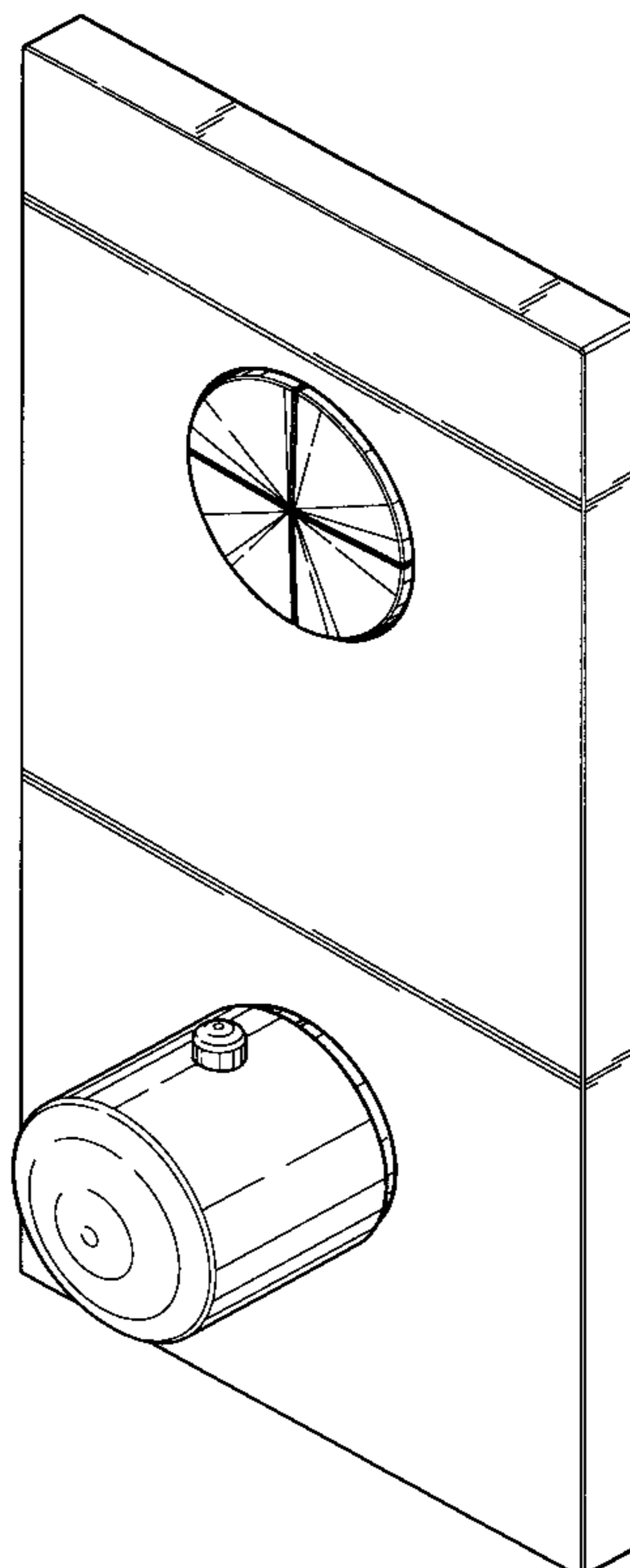
FIG. 4 is a left side elevational view thereof; the right side elevational view being a mirror image thereof;

FIG. 5 is a top plan view thereof; and,

FIG. 6 is a bottom plan view thereof.

The broken lines shown in the drawings are portions of the kitchen or bath control that form no part of the claimed design.

1 Claim, 6 Drawing Sheets



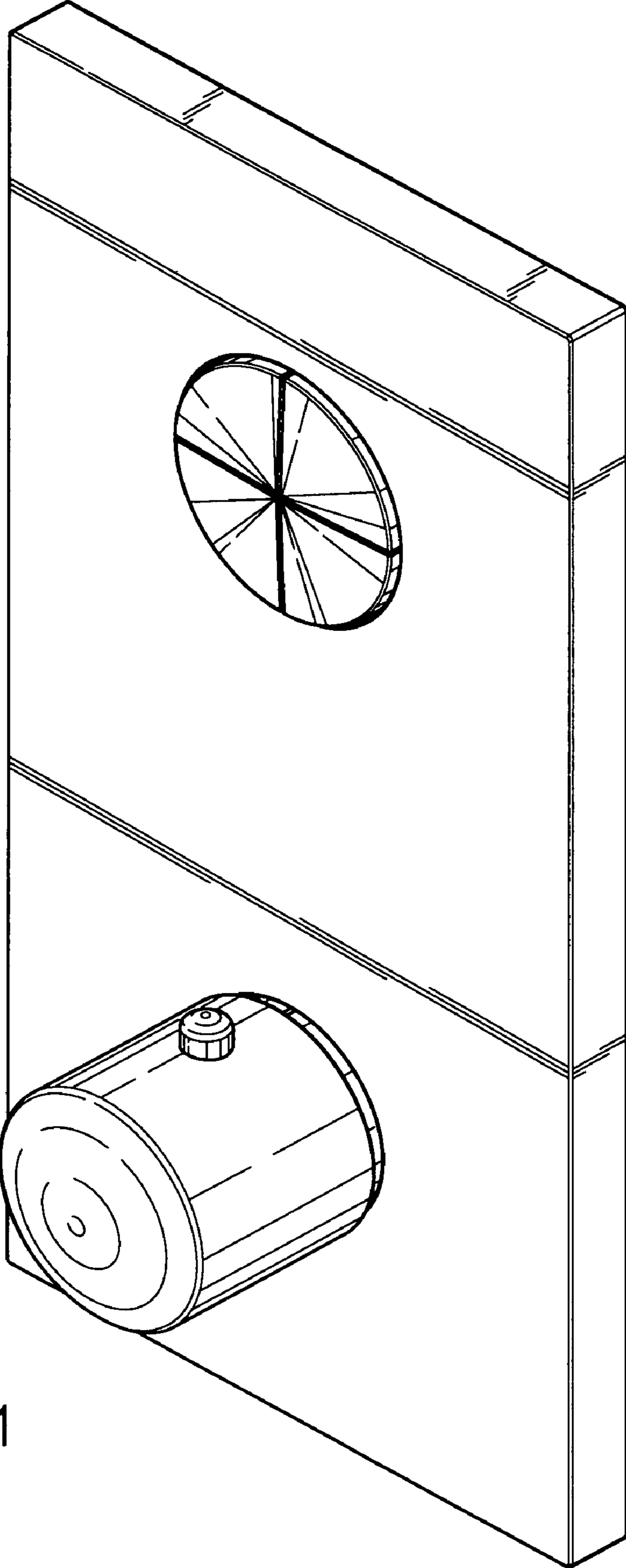


FIG. 1

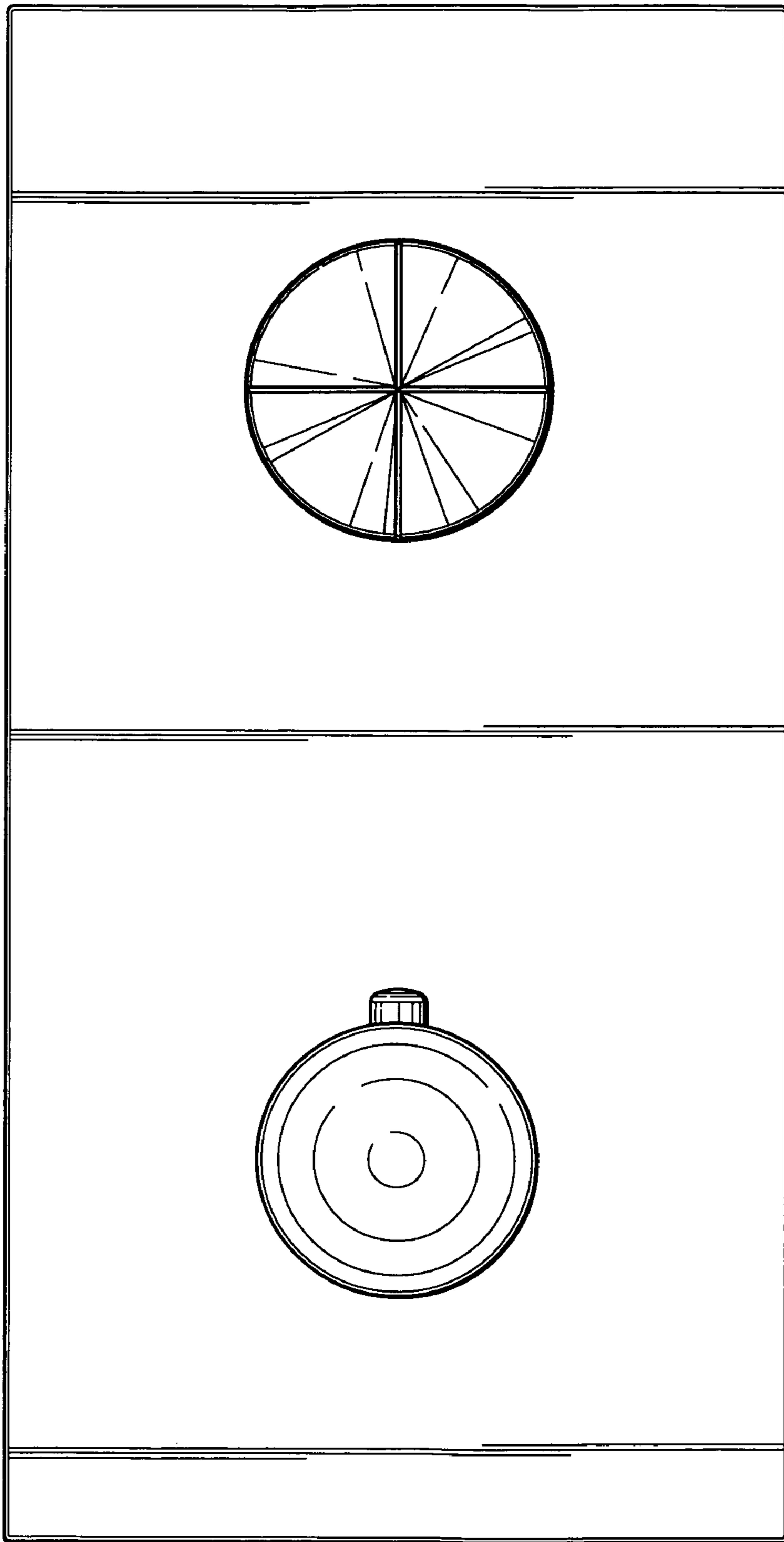


FIG. 2

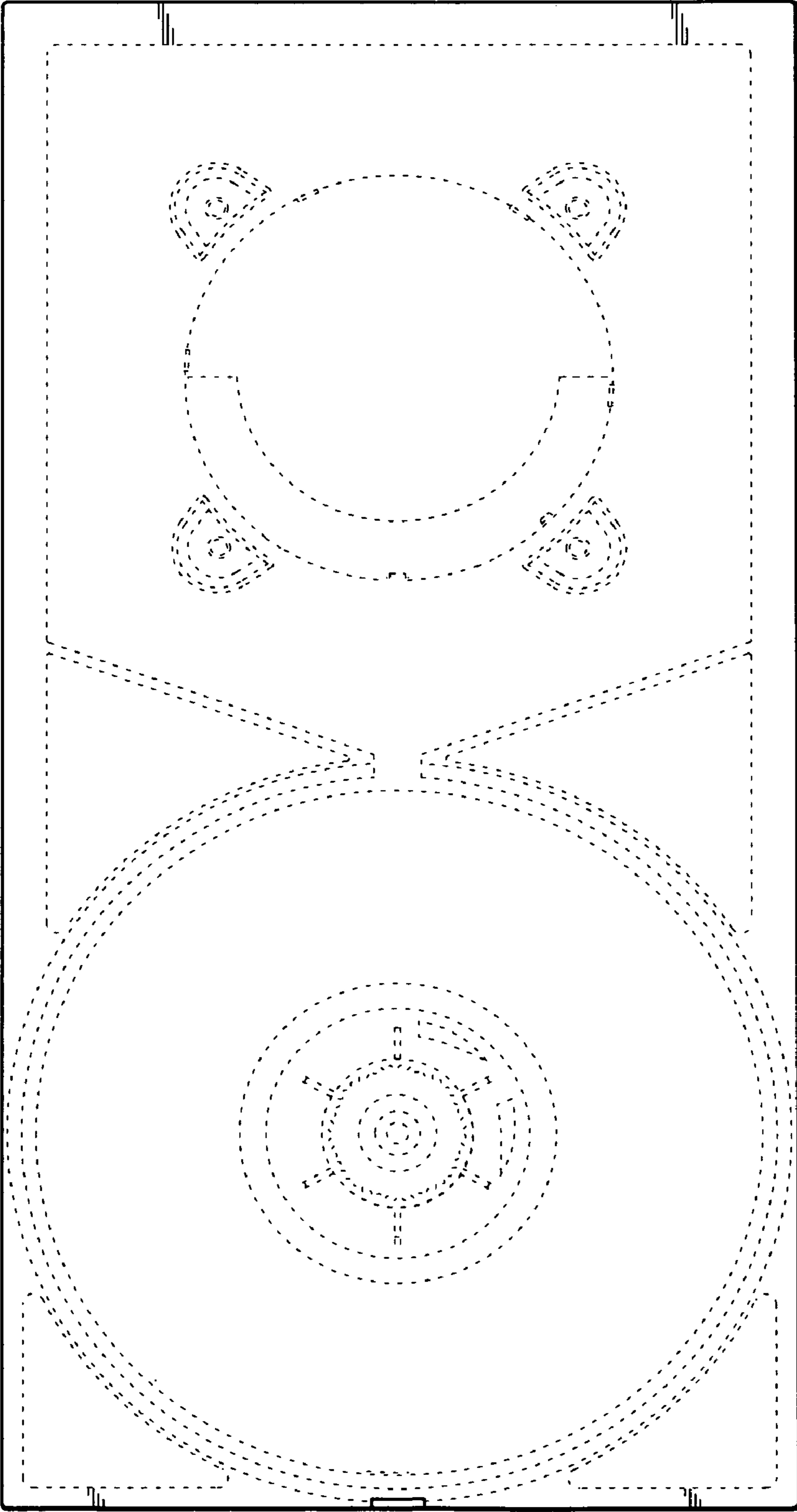


FIG. 3

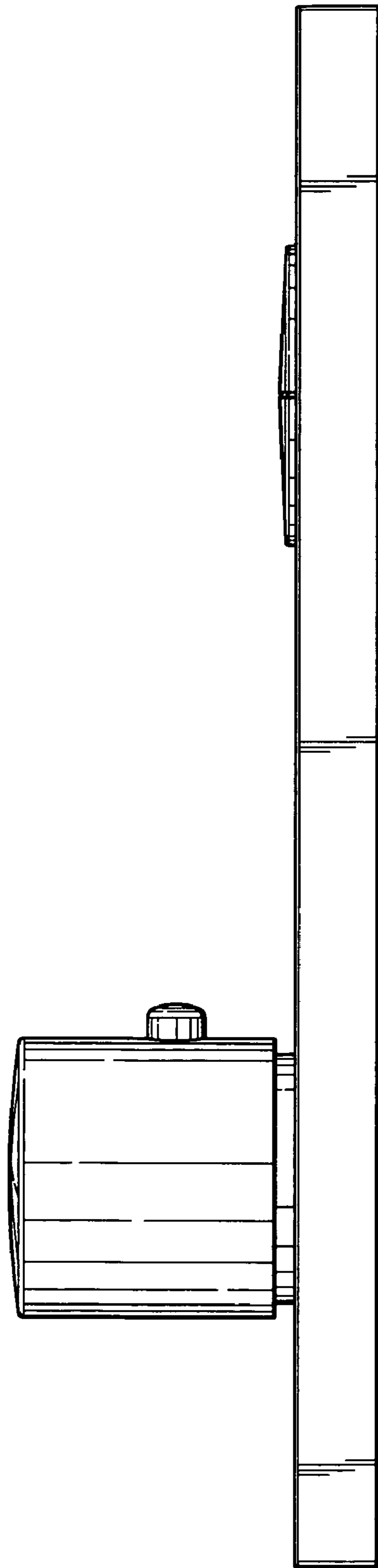
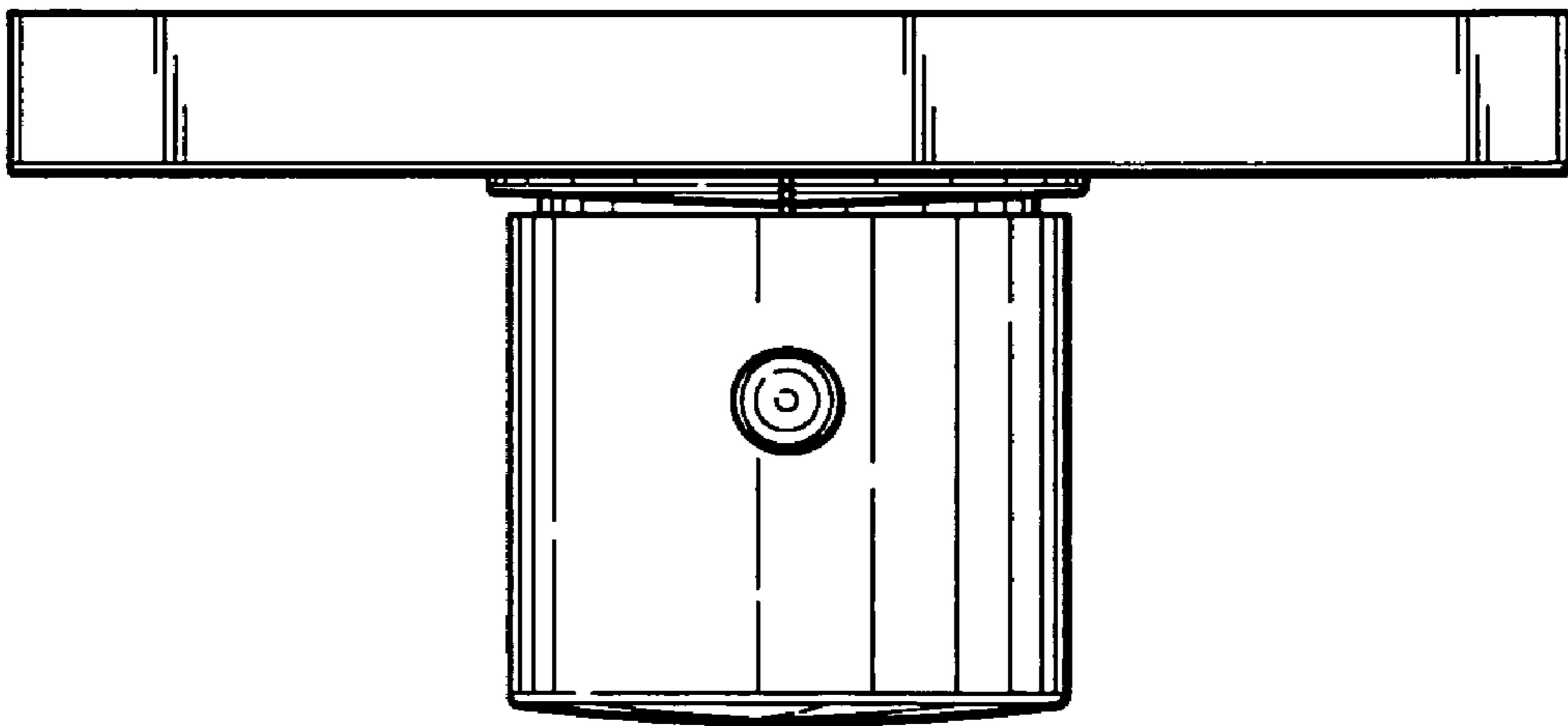


FIG. 4

FIG. 5



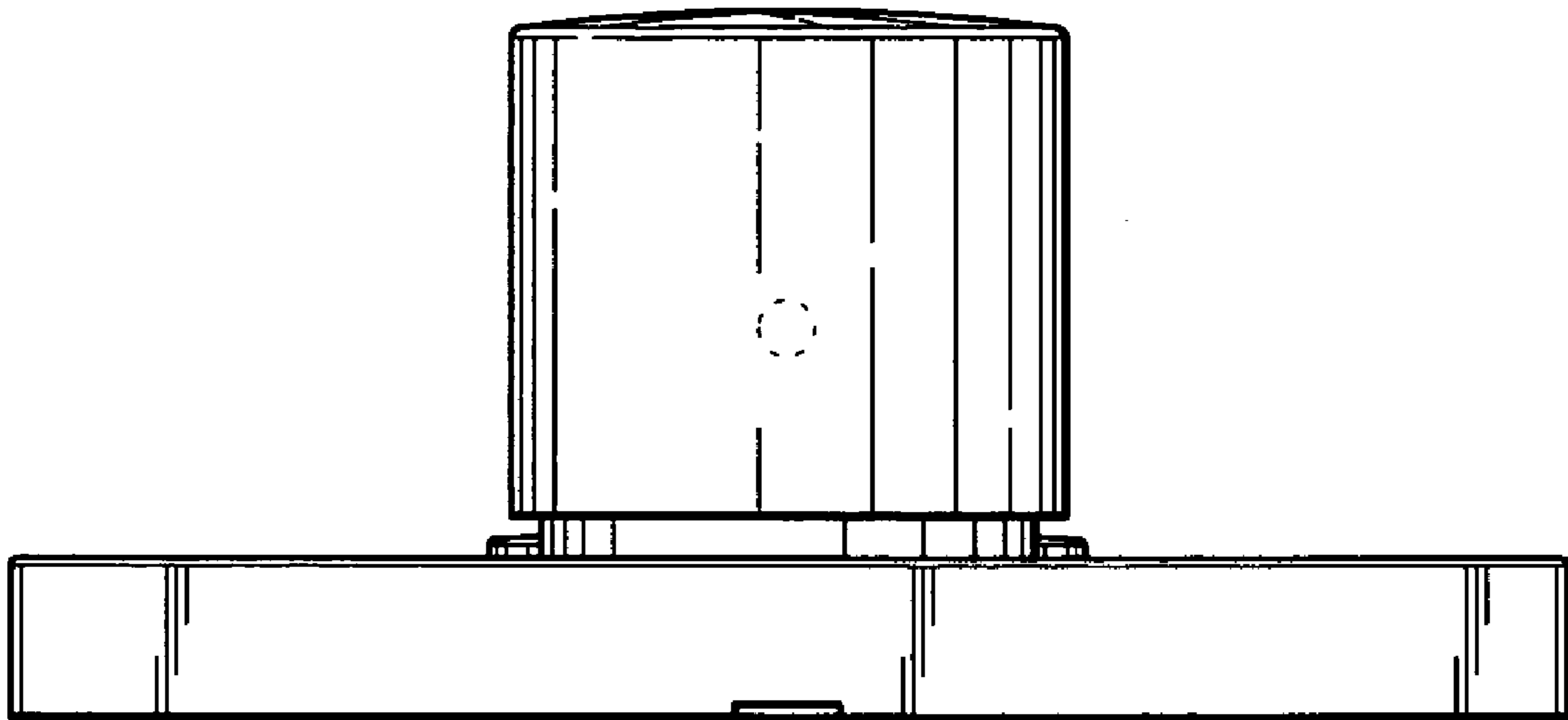


FIG. 6