

US00D610234S

(12) **United States Design Patent**
Bonde

(10) **Patent No.:** **US D610,234 S**

(45) **Date of Patent:** **** Feb. 16, 2010**

(54) **SOLENOID VALVE**

(75) Inventor: **Erik Thomas Bonde**, Odense (DK)

(73) Assignee: **Danfoss A/S**, Nordborg (DK)

(**) Term: **14 Years**

(21) Appl. No.: **29/338,758**

(22) Filed: **Jun. 18, 2009**

(51) **LOC (9) Cl.** **23-01**

(52) **U.S. Cl.** **D23/233**

(58) **Field of Classification Search** D23/233-236,
D23/244-245; 137/625.64, 884; 251/129.15
See application file for complete search history.

(56) **References Cited**

U.S. PATENT DOCUMENTS

2,241,747	A *	5/1941	Shaw	251/77
D246,907	S *	1/1978	Fialkowski et al.	D23/233
D266,863	S *	11/1982	Mason	D23/233
4,534,375	A *	8/1985	Fox	137/82
D443,030	S *	5/2001	Kaneko et al.	D23/233
D459,441	S *	6/2002	Hayashi et al.	D23/233
6,615,869	B2 *	9/2003	Sudani et al.	137/625.61
7,377,481	B2 *	5/2008	Narita et al.	251/129.15
7,412,989	B2 *	8/2008	Segi et al.	137/625.64

* cited by examiner

Primary Examiner—Cathron C. Brooks

Assistant Examiner—Maurice Stevens

(74) *Attorney, Agent, or Firm*—McCormick, Paulding & Huber LLP

(57) **CLAIM**

The ornamental design for a solenoid valve, substantially as shown and described.

DESCRIPTION

FIG. 1 is a front, left-hand side perspective view of a solenoid valve comprising a new, original and ornamental design;

FIG. 2 is a front view of a solenoid valve comprising the new, original and ornamental design;

FIG. 3 is a rear view of a solenoid valve comprising the new, original and ornamental design;

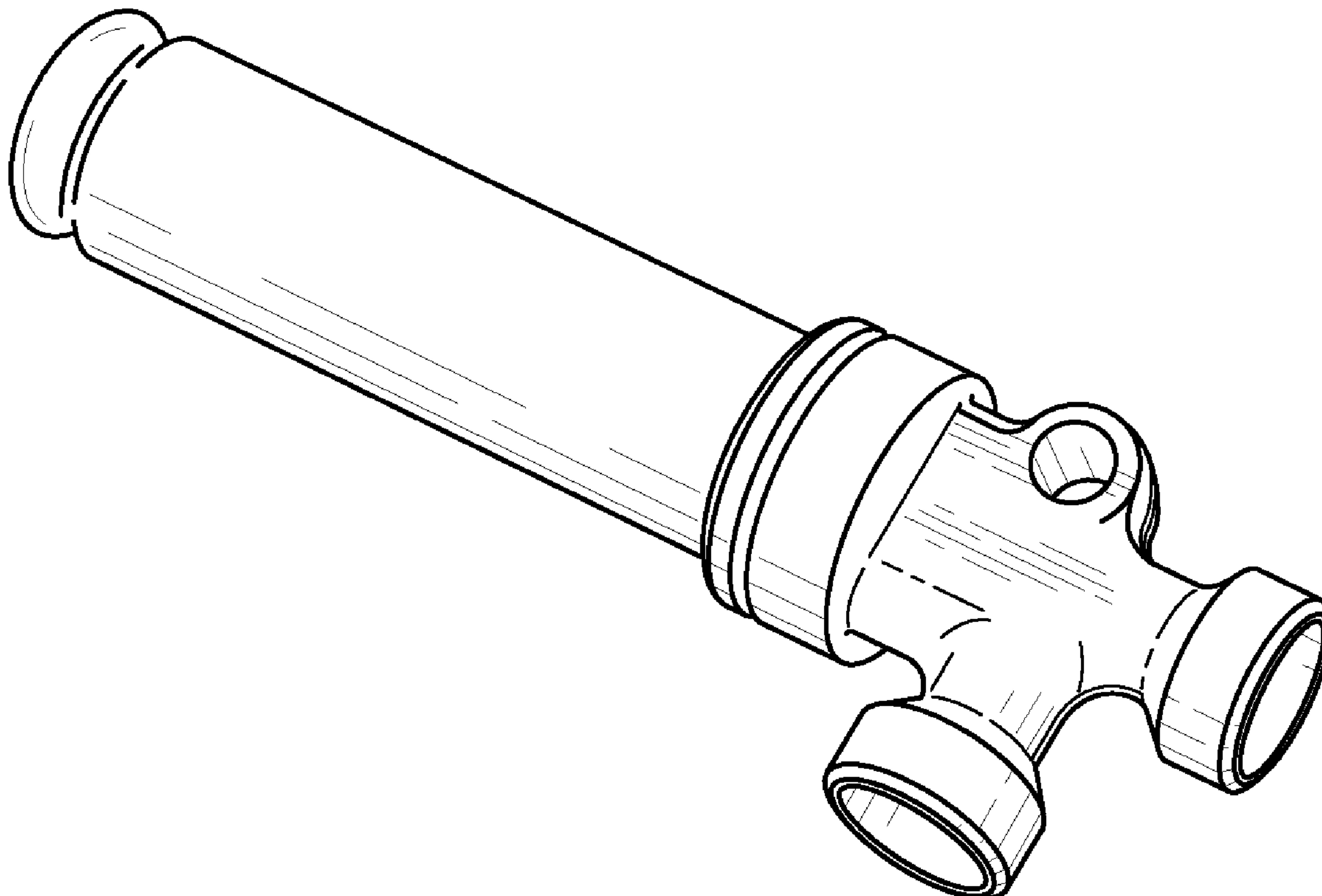
FIG. 4 is a left-hand side view of a solenoid valve comprising the new, original and ornamental design;

FIG. 5 is a right-hand side view of a solenoid valve comprising the new, original and ornamental design;

FIG. 6 is a top view of a solenoid valve comprising the new, original and ornamental design; and,

FIG. 7 is a bottom view of a solenoid valve comprising the new, original and ornamental design.

1 Claim, 3 Drawing Sheets



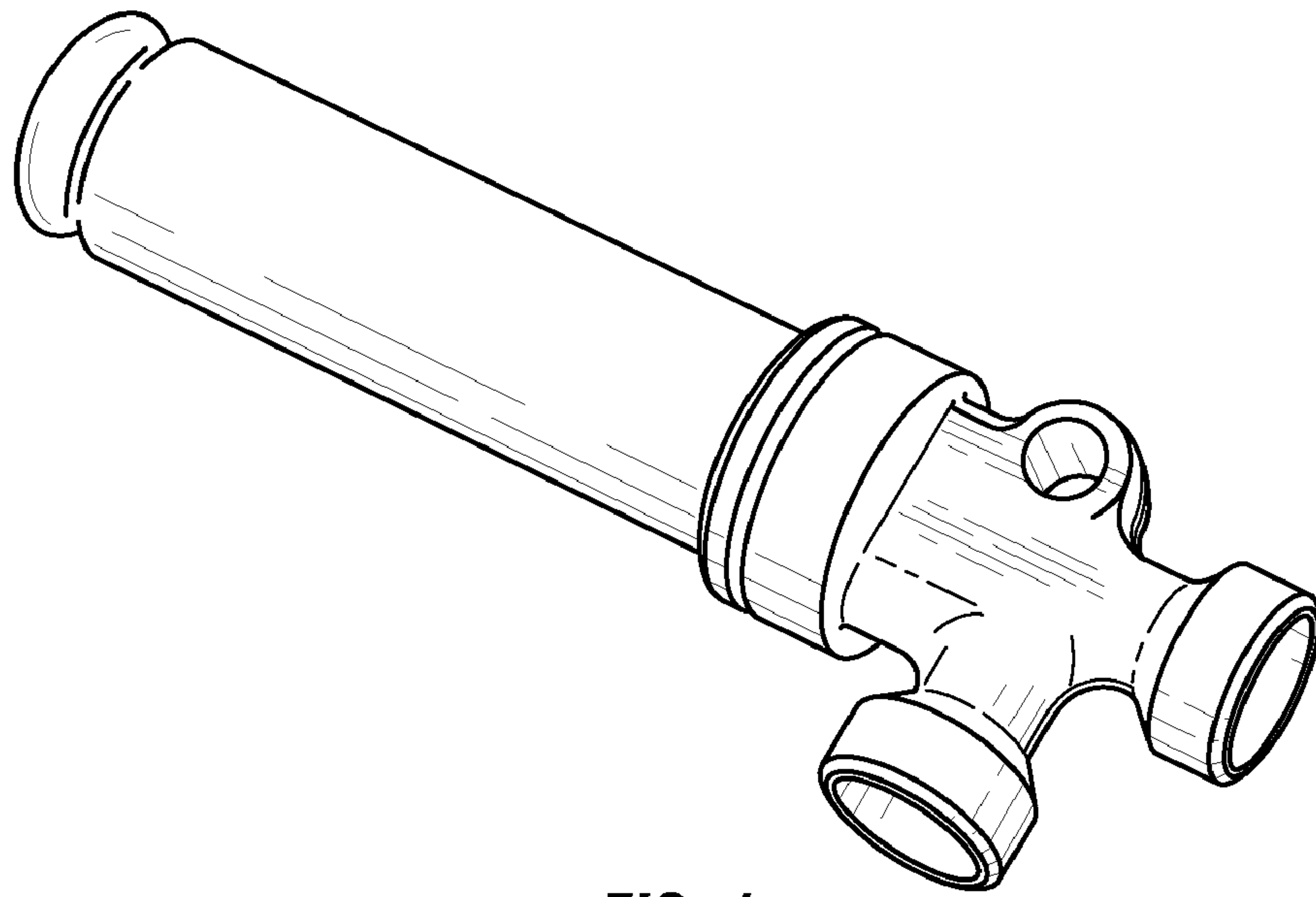


FIG. 1

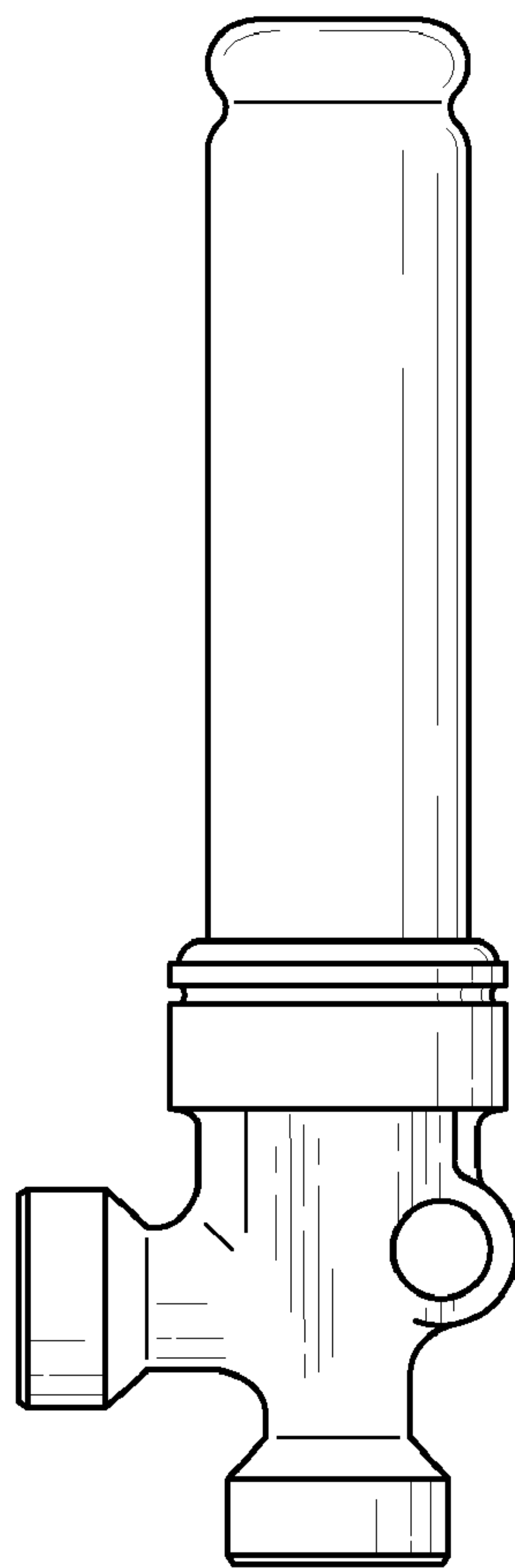


FIG. 2

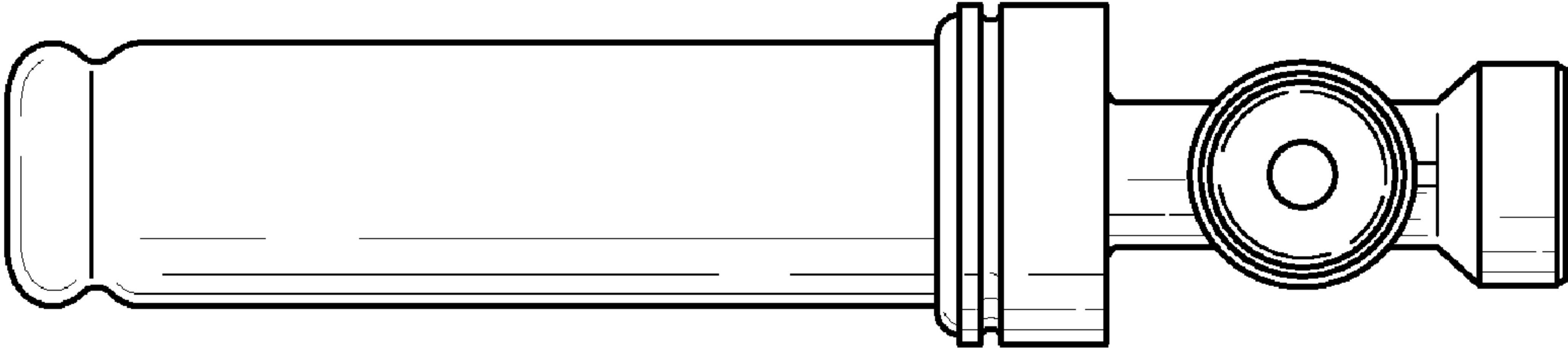


FIG. 4

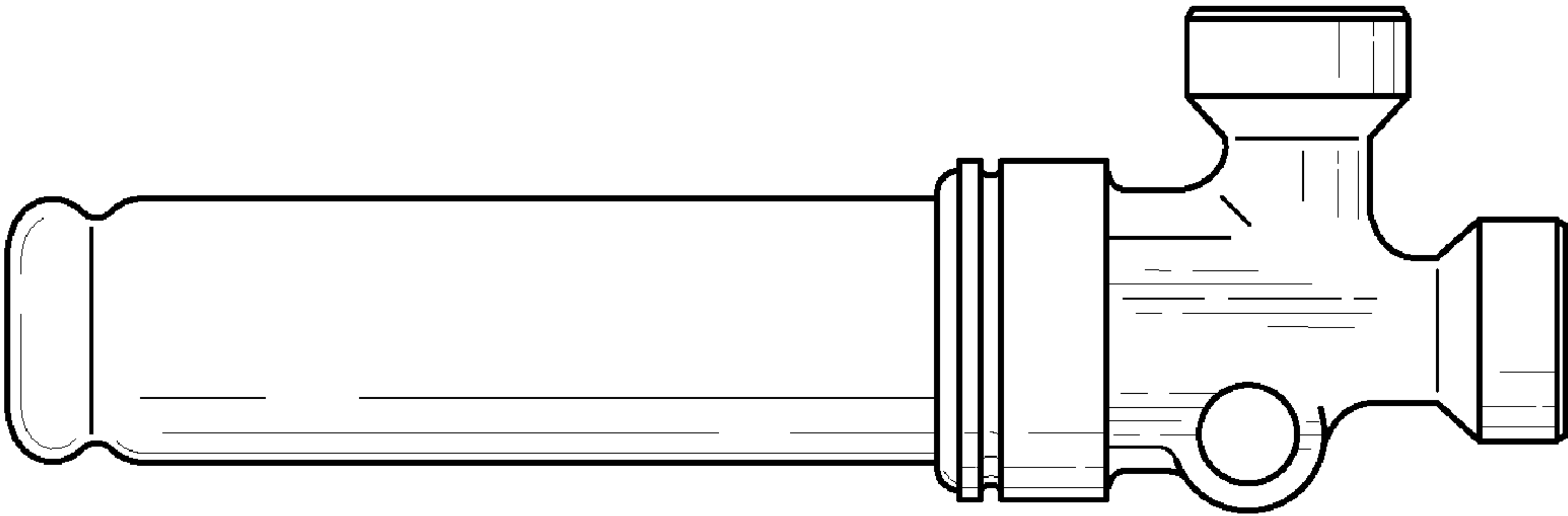


FIG. 3

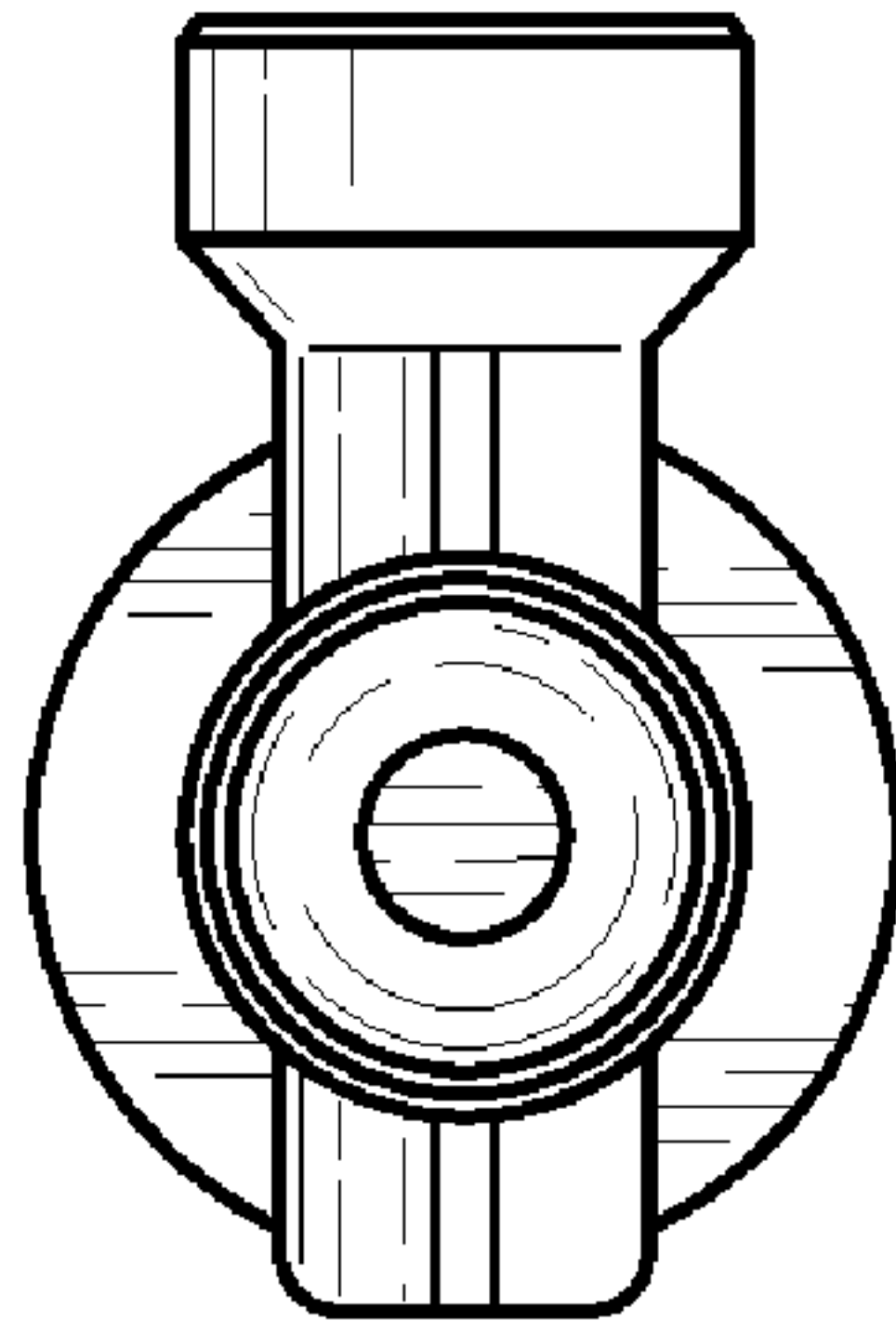


FIG. 7

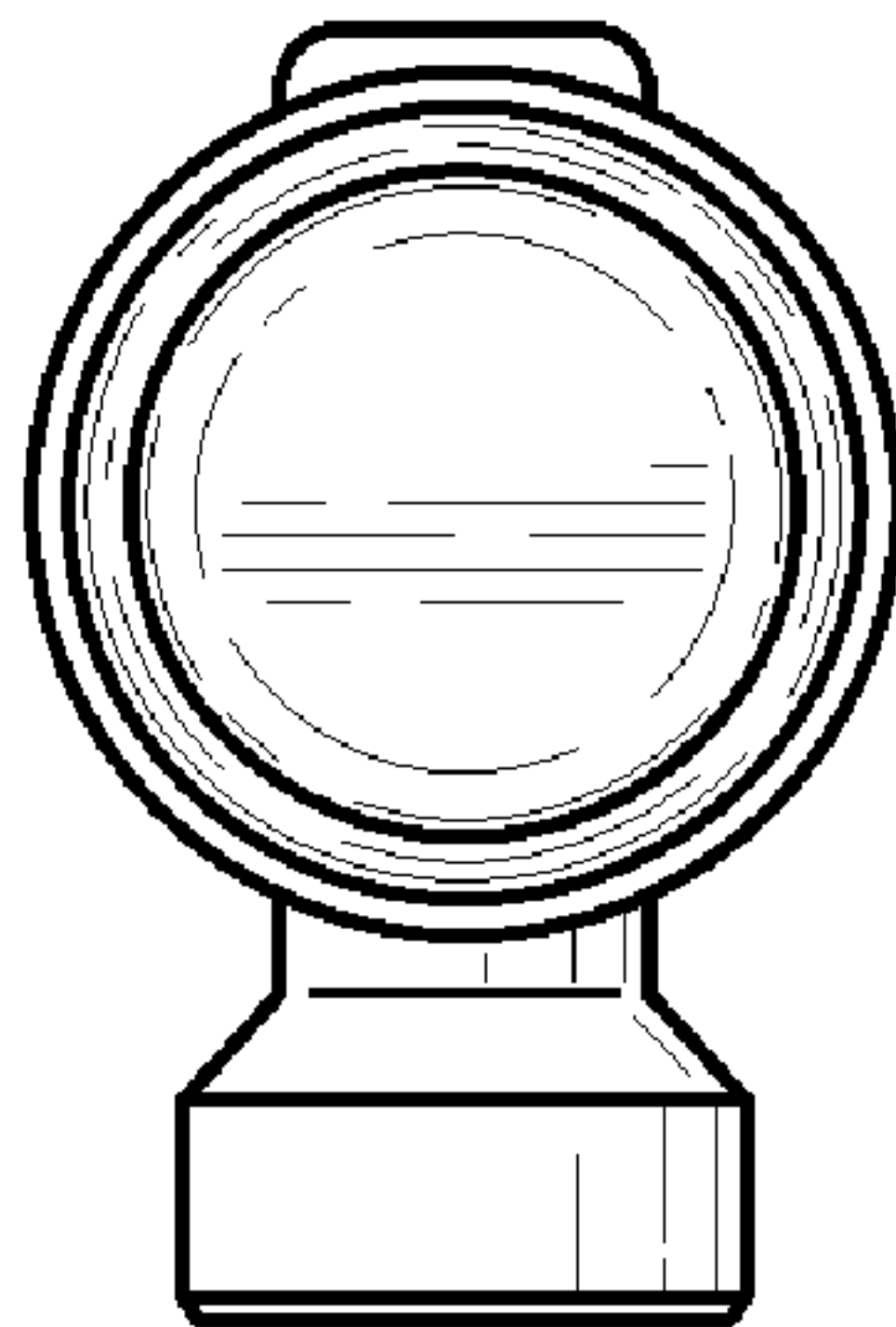


FIG. 6

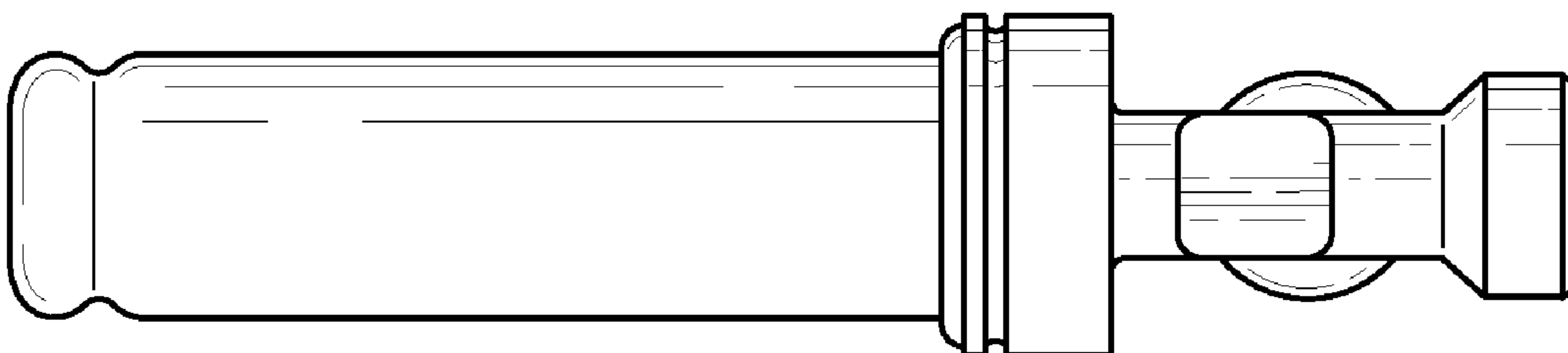


FIG. 5