



US00D610232S

(12) **United States Design Patent**
Harada

(10) **Patent No.:** **US D610,232 S**

(45) **Date of Patent:** **** *Feb. 16, 2010**

(54) **MOTOR DRIVEN VALVE**

(75) Inventor: **Takao Harada**, Tokyo (JP)

(73) Assignee: **Fujikoki Corporation**, Tokyo (JP)

(*) Notice: This patent is subject to a terminal disclaimer.

(**) Term: **14 Years**

(21) Appl. No.: **29/309,814**

(22) Filed: **Oct. 17, 2008**

(51) **LOC (9) Cl.** **23-01**

(52) **U.S. Cl.** **D23/233**

(58) **Field of Classification Search** D23/233–237,
D23/244–249, 260–266; 251/30.03, 30.04,
251/249, 45, 129.04, 318, 319, 326; 137/801,
137/549, 624.11; 4/675–678; 138/103, 109–110
See application file for complete search history.

(56) **References Cited**

U.S. PATENT DOCUMENTS

D341,187 S * 11/1993 Stachowiak D23/233
D367,103 S * 2/1996 Lobermeier D23/235
D367,517 S * 2/1996 Sabio et al. D23/235

D380,526 S * 7/1997 Pullen D23/245
D395,485 S * 6/1998 Deaso, Sr. D23/245
D428,114 S * 7/2000 Le Bars D23/233
D522,616 S * 6/2006 Minnick et al. D23/233

* cited by examiner

Primary Examiner—Cathron C. Brooks

Assistant Examiner—Maurice Stevens

(74) *Attorney, Agent, or Firm*—Westerman, Hattori, Daniels & Adrian, LLP

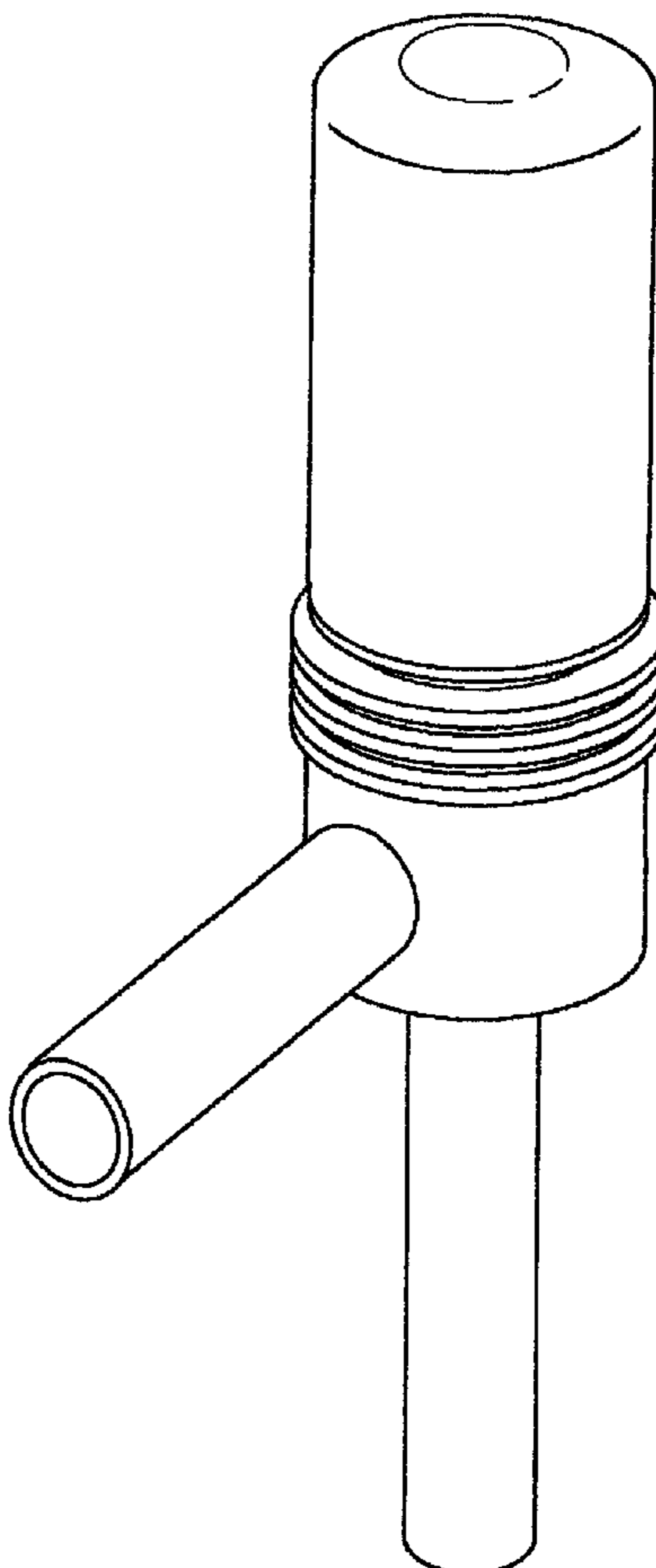
(57) **CLAIM**

The ornamental design for a motor driven valve, as shown and described.

DESCRIPTION

FIG. 1 is a perspective view of the motor driven valve;
FIG. 2 is a front elevation view of the motor driven valve, the rear elevation view being a mirror image thereof;
FIG. 3 is a top plan view of the motor driven valve;
FIG. 4 is a bottom plan view of the motor driven valve;
FIG. 5 is a left side elevation view of the motor driven valve;
and,
FIG. 6 is a right side elevation view of the motor driven valve.

1 Claim, 5 Drawing Sheets



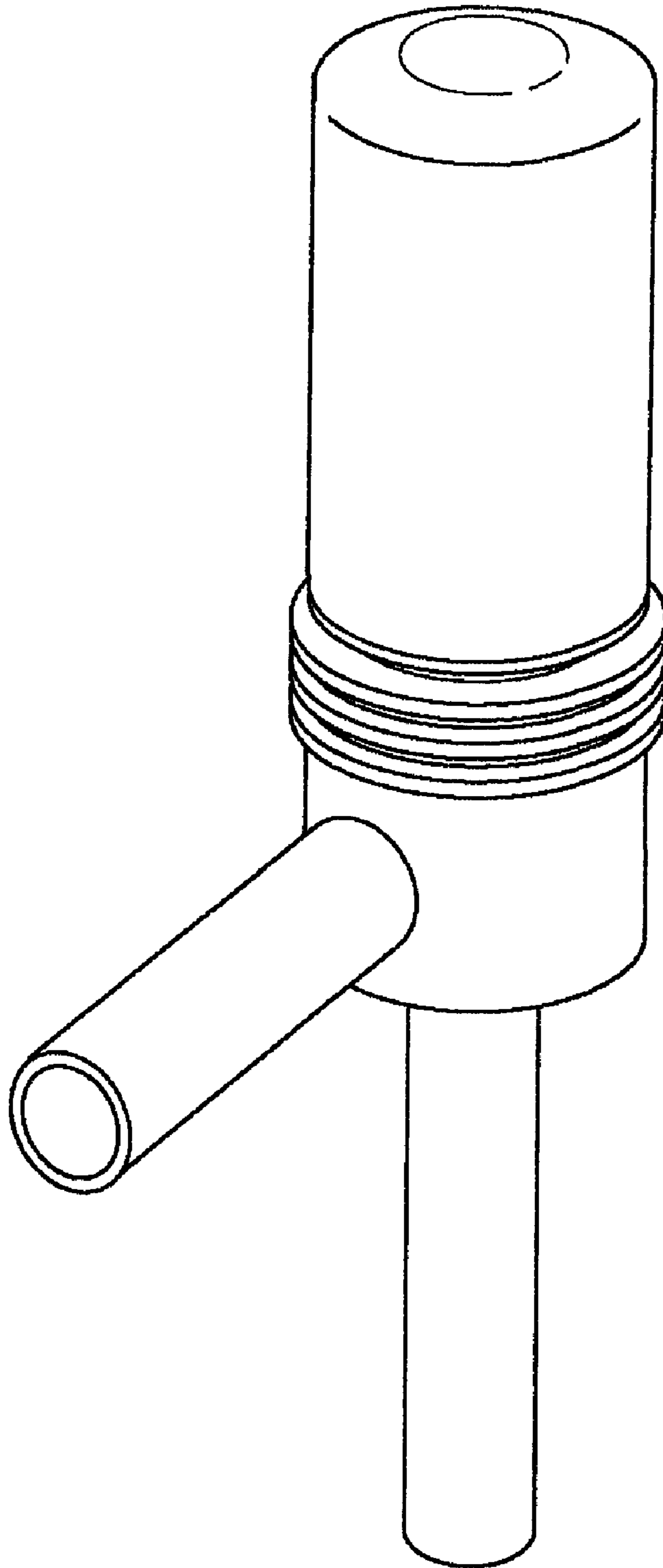


FIG. 1

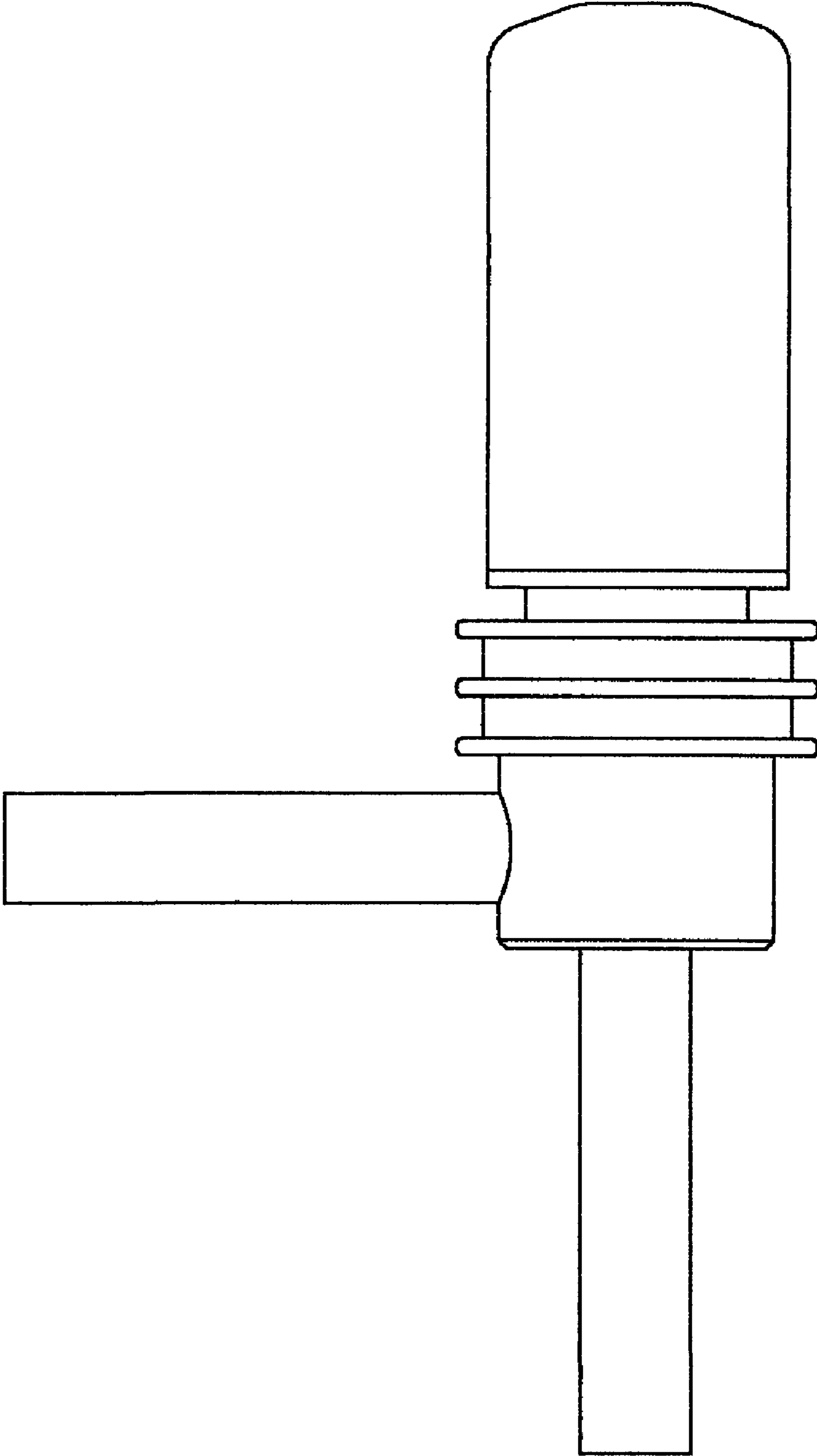


FIG. 2

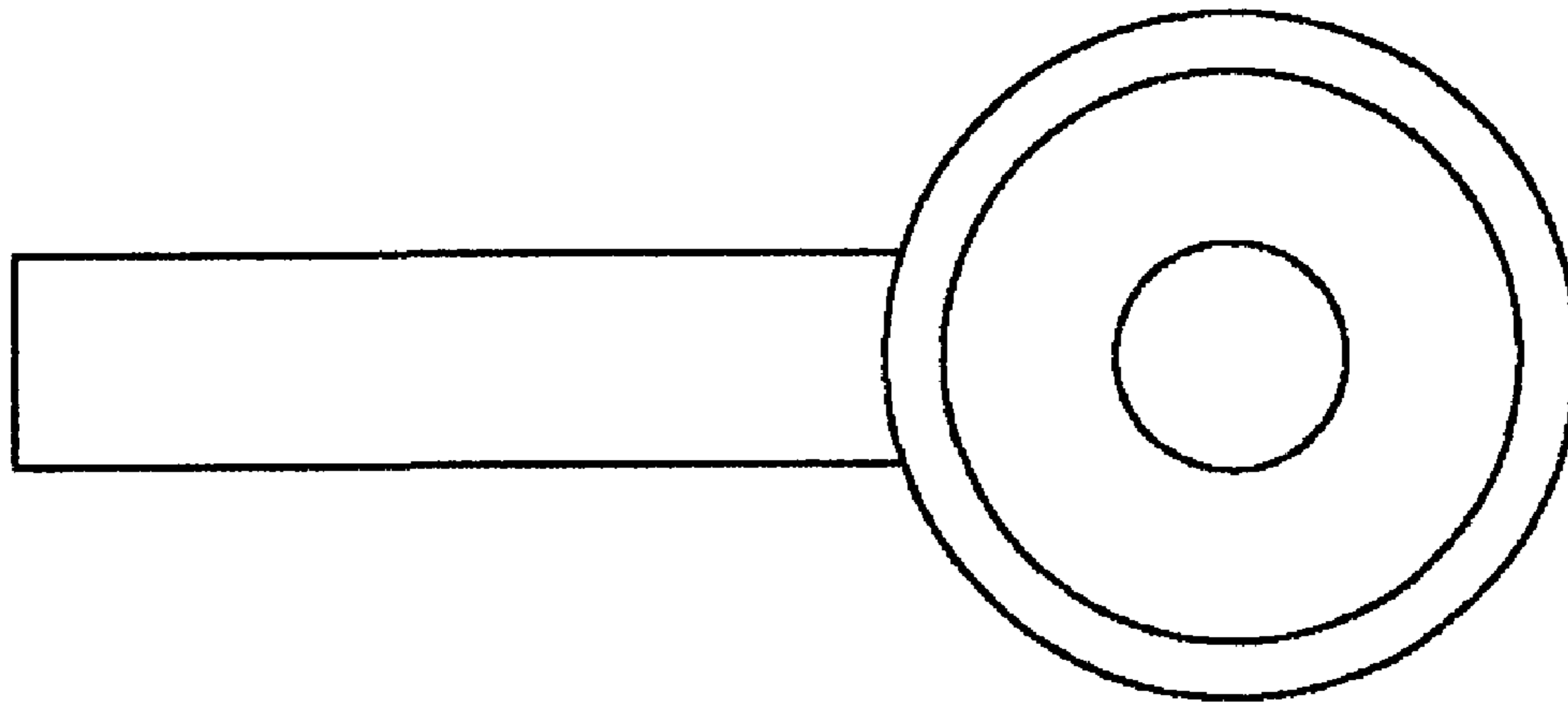


FIG. 3

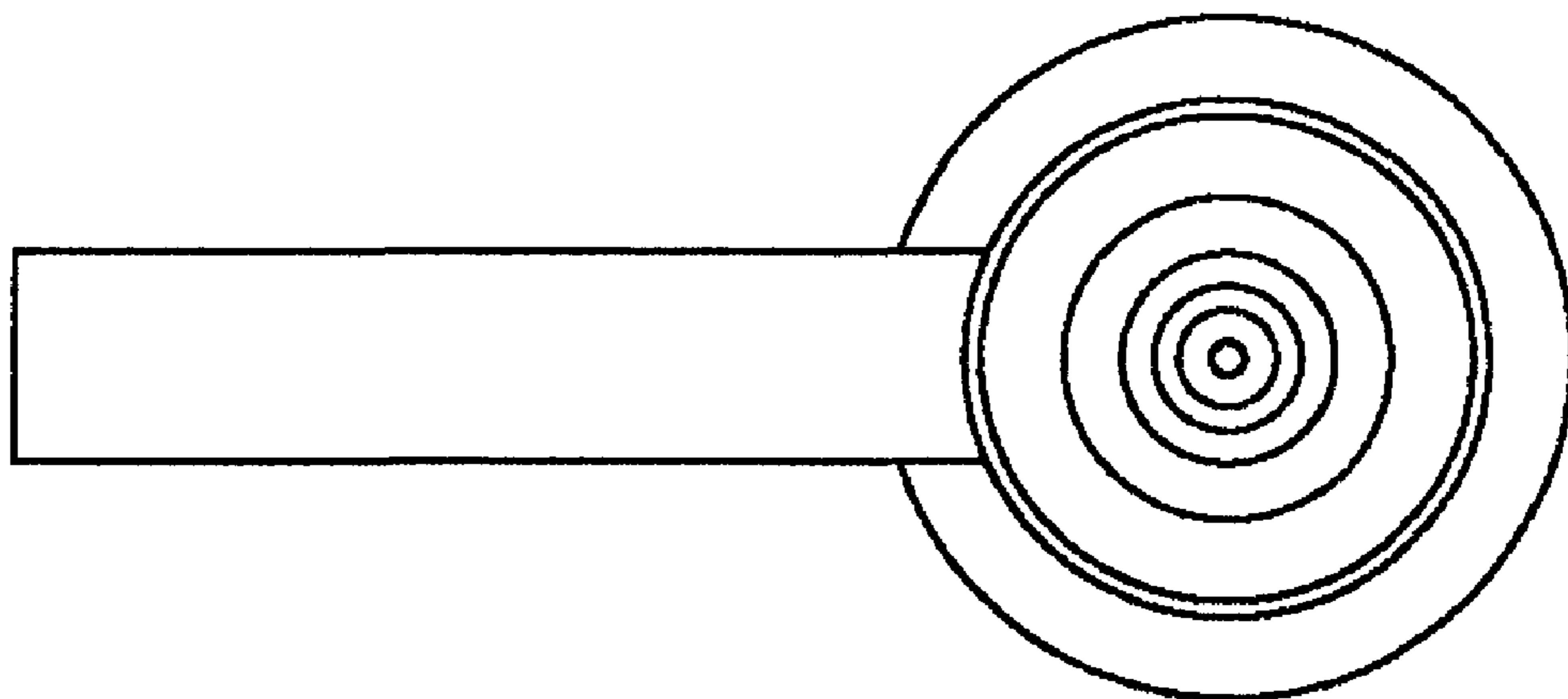


FIG. 4

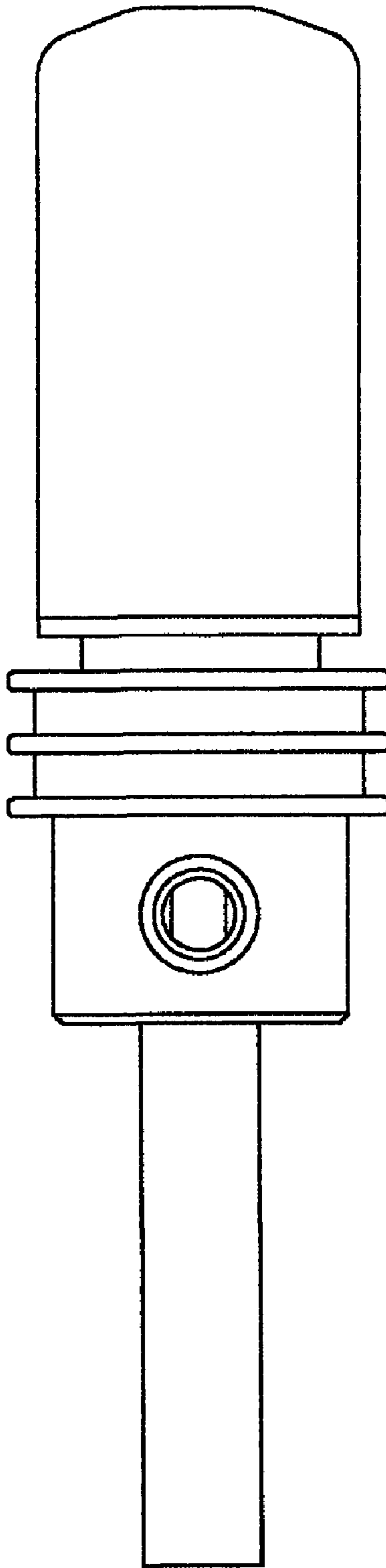


FIG. 5

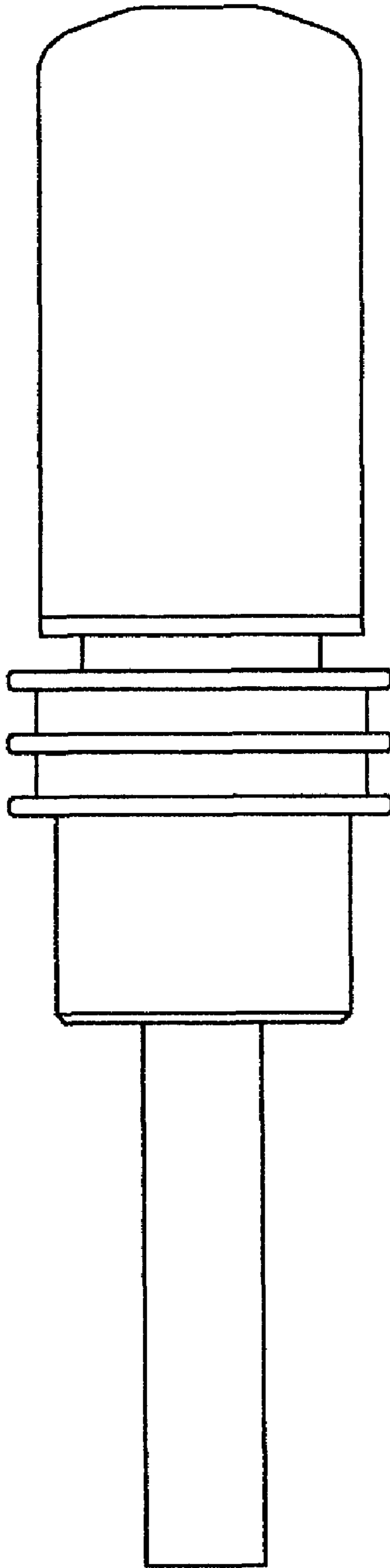


FIG. 6