



US00D610226S

(12) **United States Design Patent**
Yabe et al.

(10) **Patent No.:** **US D610,226 S**
(45) **Date of Patent:** **** Feb. 16, 2010**

(54) **SHOWER NOZZLE**

(75) Inventors: **Nobuhiro Yabe**, Kitakyushu (JP); **Rie Yokoyama**, Kitakyushu (JP)

(73) Assignee: **ToTo Ltd.**, Kitakyushu-Shi (JP)

(**) Term: **14 Years**

(21) Appl. No.: **29/333,991**

(22) Filed: **Mar. 18, 2009**

(30) **Foreign Application Priority Data**

Feb. 6, 2009 (JP) 2009-002460

(51) **LOC (9) Cl.** **23-01**

(52) **U.S. Cl.** **D23/213; D23/229**

(58) **Field of Classification Search** **D23/213, D23/229-230, 223; 239/282-283, 394; 4/615**
See application file for complete search history.

(56) **References Cited**

U.S. PATENT DOCUMENTS

D559,357 S *	1/2008	Wang et al.	D23/229
D567,906 S *	4/2008	Huang	D23/229
D578,610 S *	10/2008	Wu et al.	D23/229
D579,518 S *	10/2008	Shieh	D23/229

* cited by examiner

Primary Examiner—Robin V Webster

(74) *Attorney, Agent, or Firm*—Birch, Stewart, Kolasch & Birch, LLP

(57) **CLAIM**

The ornamental design for a shower nozzle, as shown and described.

DESCRIPTION

FIG. 1 is a perspective view of the front, right side and top plan of a shower nozzle showing our new design;

FIG. 2 is a front view thereof;

FIG. 3 is a rear view thereof;

FIG. 4 is a left side view thereof;

FIG. 5 is a right side view thereof;

FIG. 6 is a top plan view thereof;

FIG. 7 is a bottom view thereof;

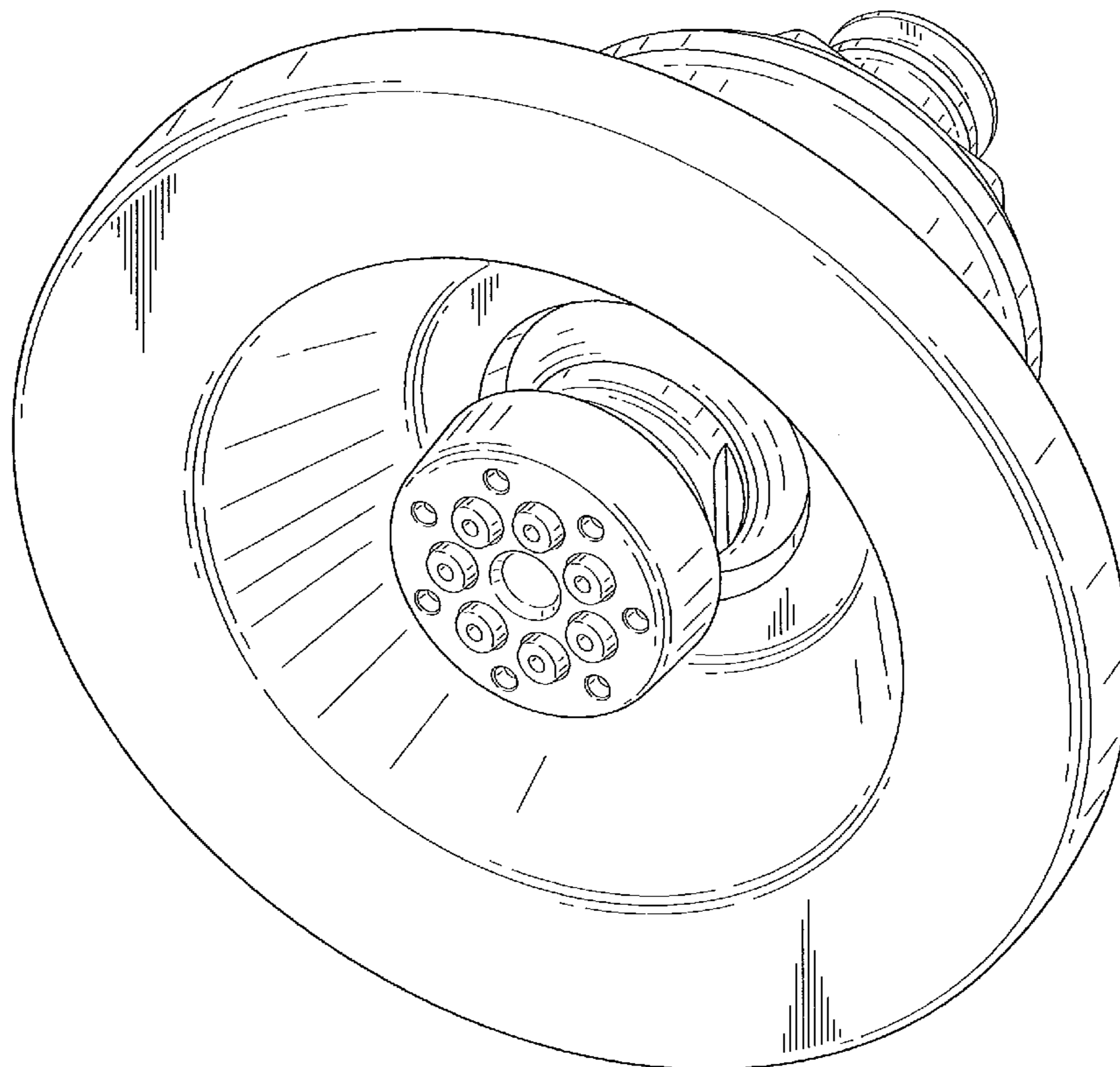
FIG. 8 is a cross sectional view at 8—8 shown in FIG. 2 thereof;

FIG. 9 is a cross sectional view at 9—9 shown in FIG. 2 thereof; and,

FIG. 10 is a reference view of usage thereof.

The elements shown in broken lines are for illustrative purposes only and form no part of the claimed design.

1 Claim, 10 Drawing Sheets



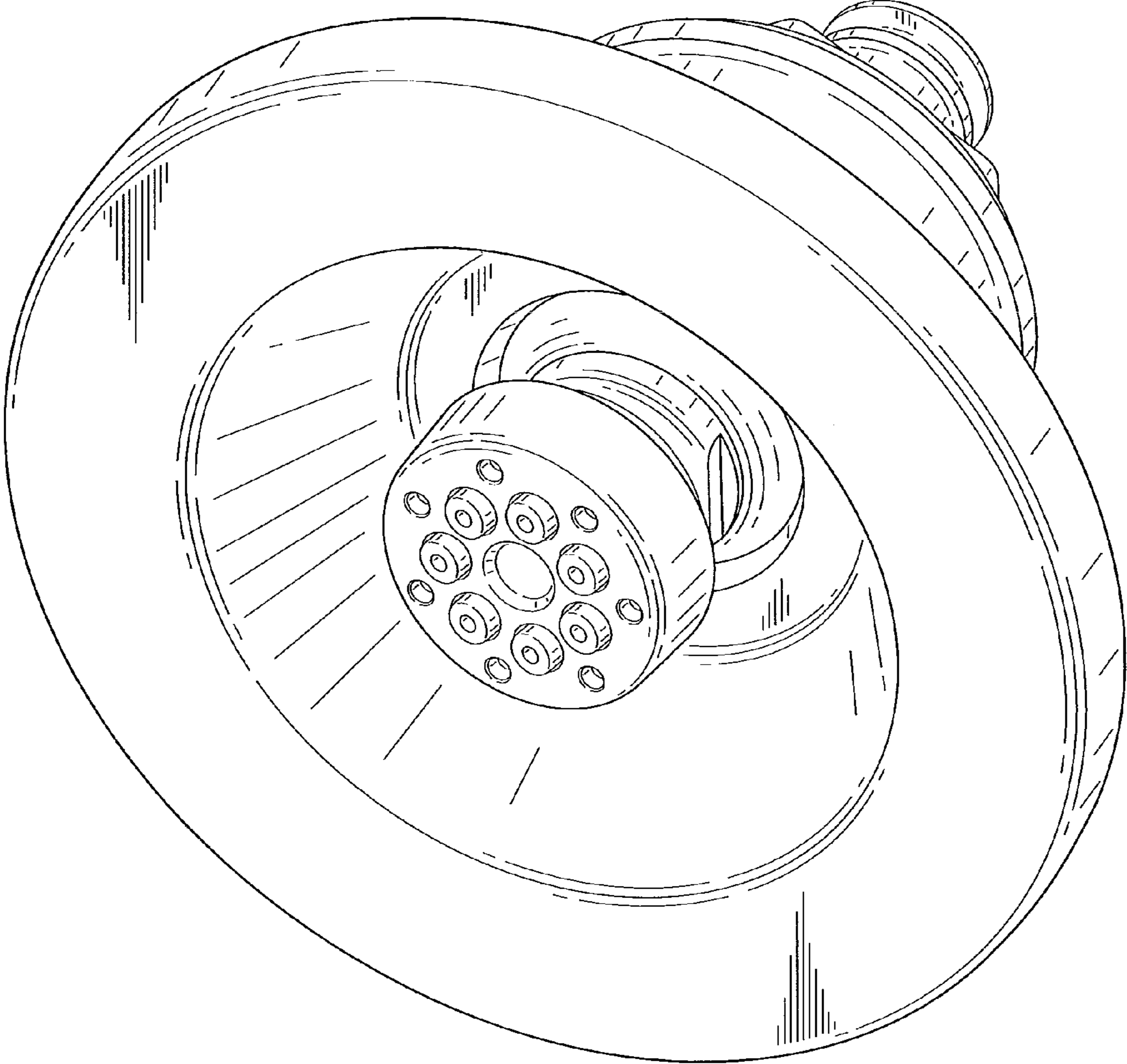


FIG. 1

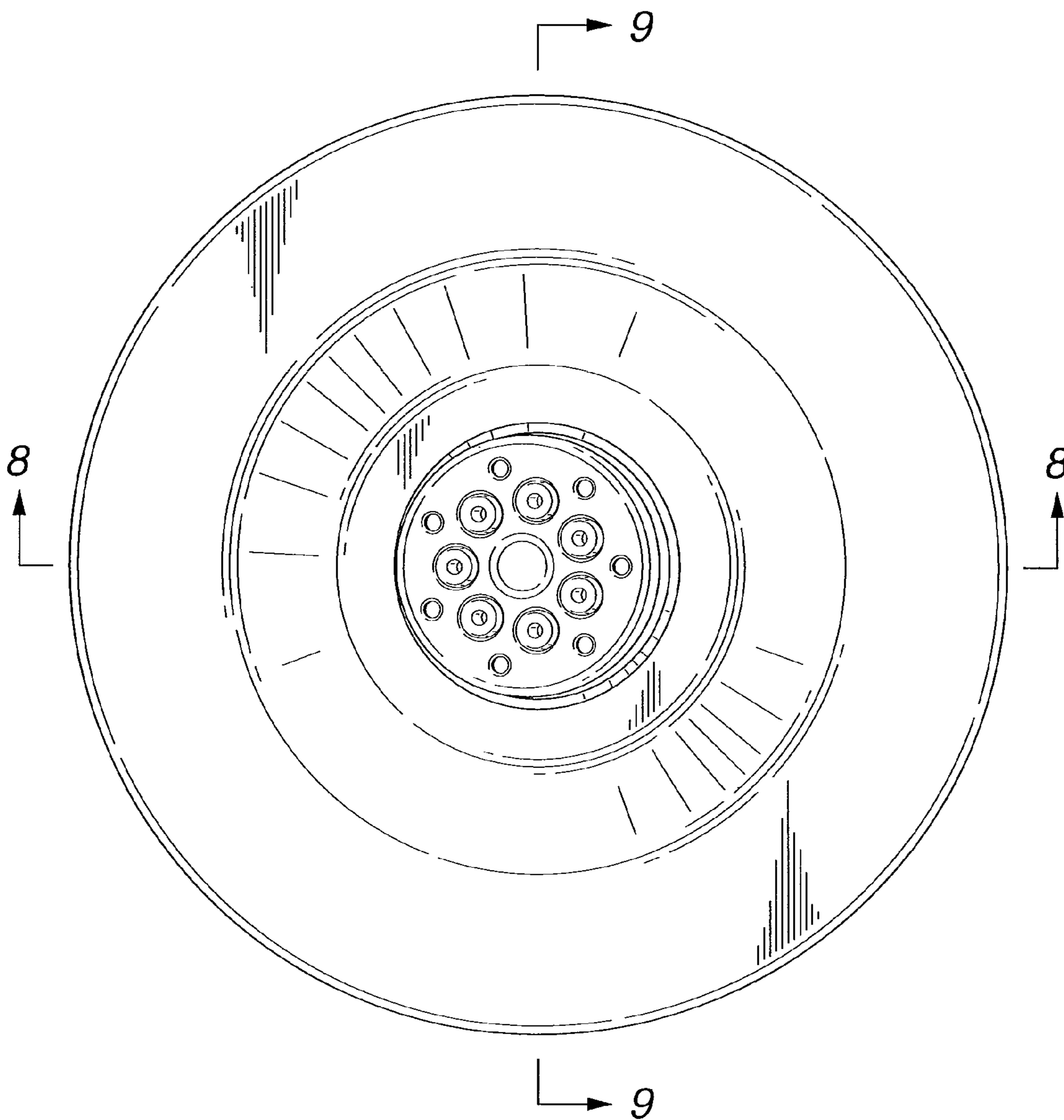


FIG. 2

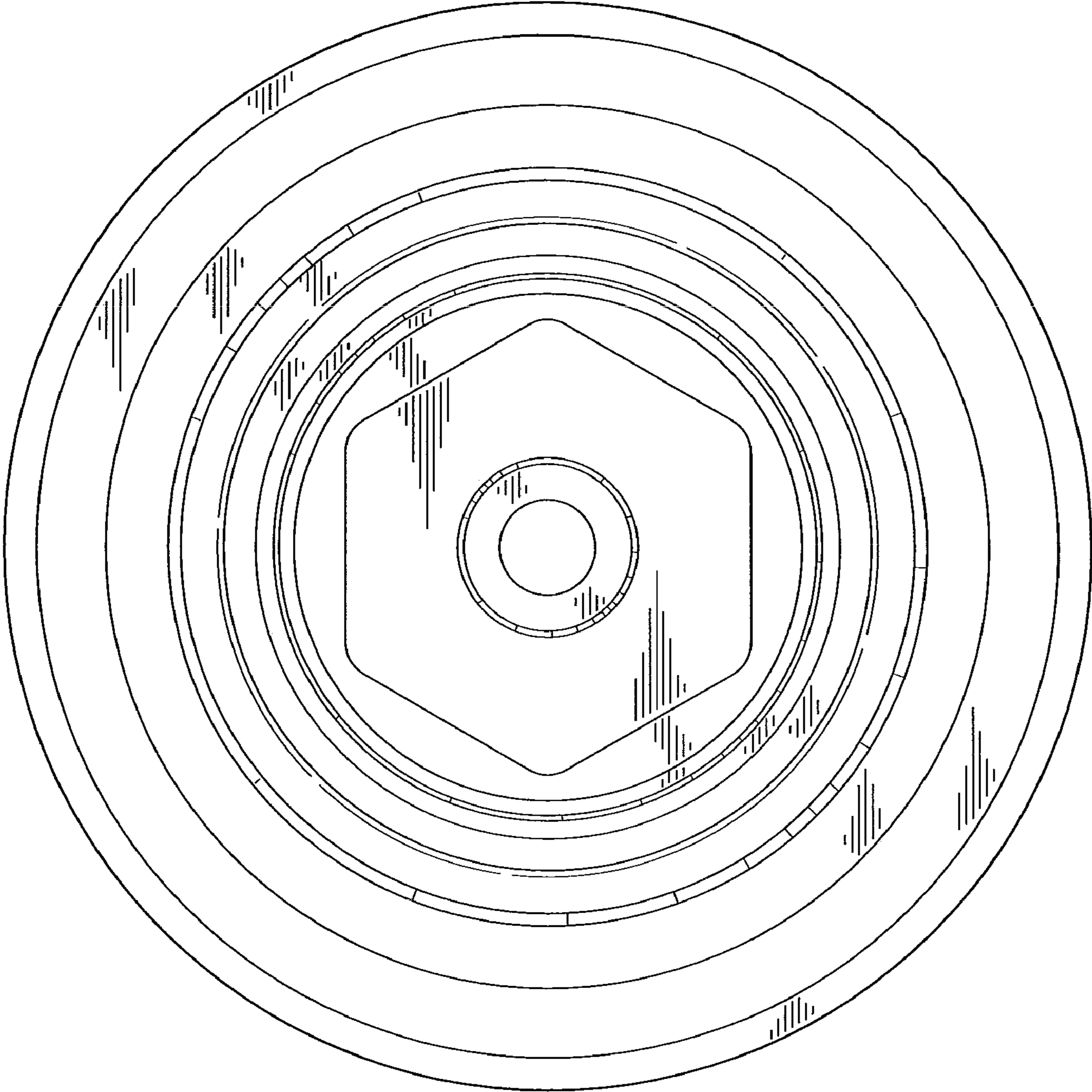


FIG. 3

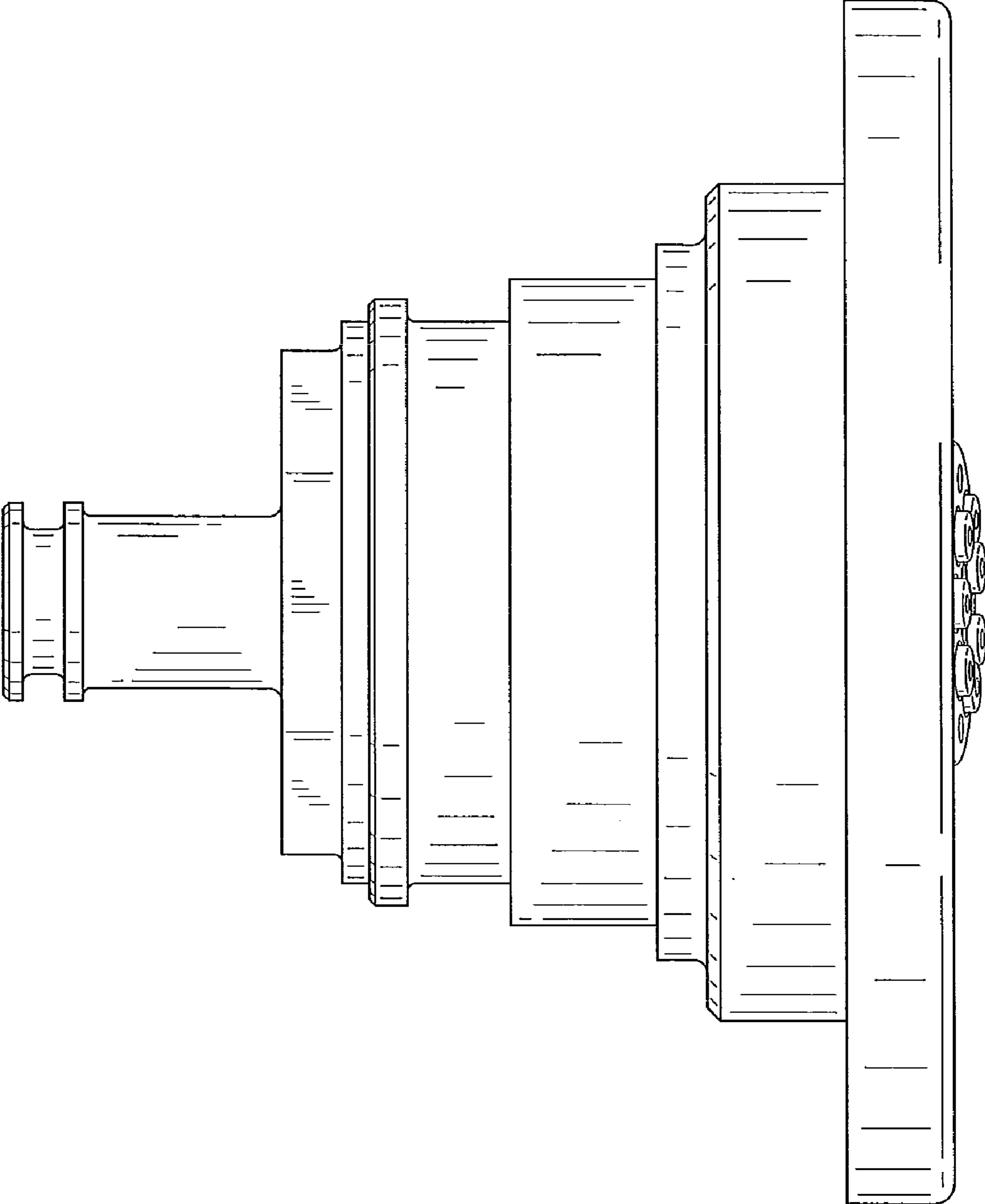


FIG. 4

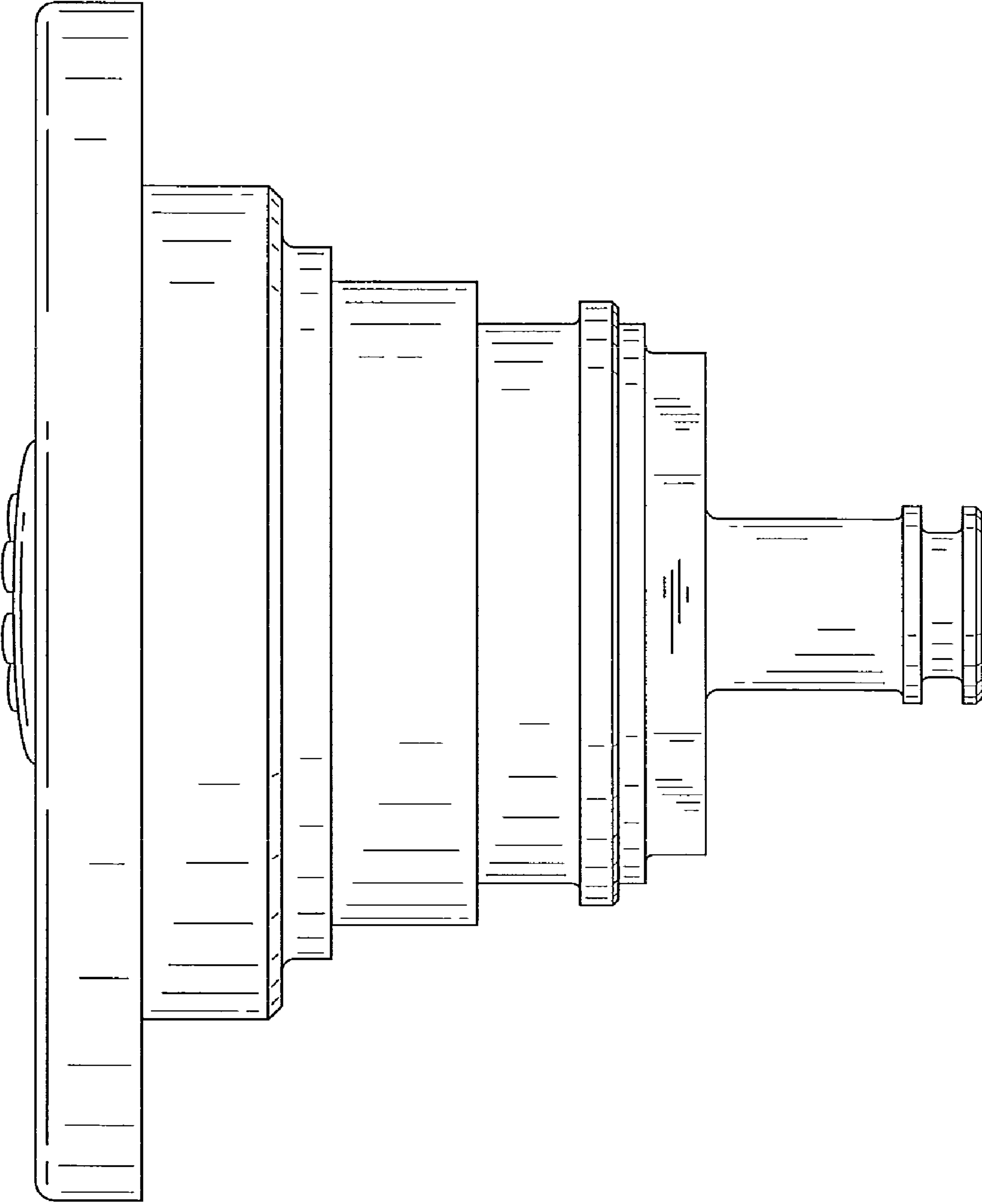


FIG. 5

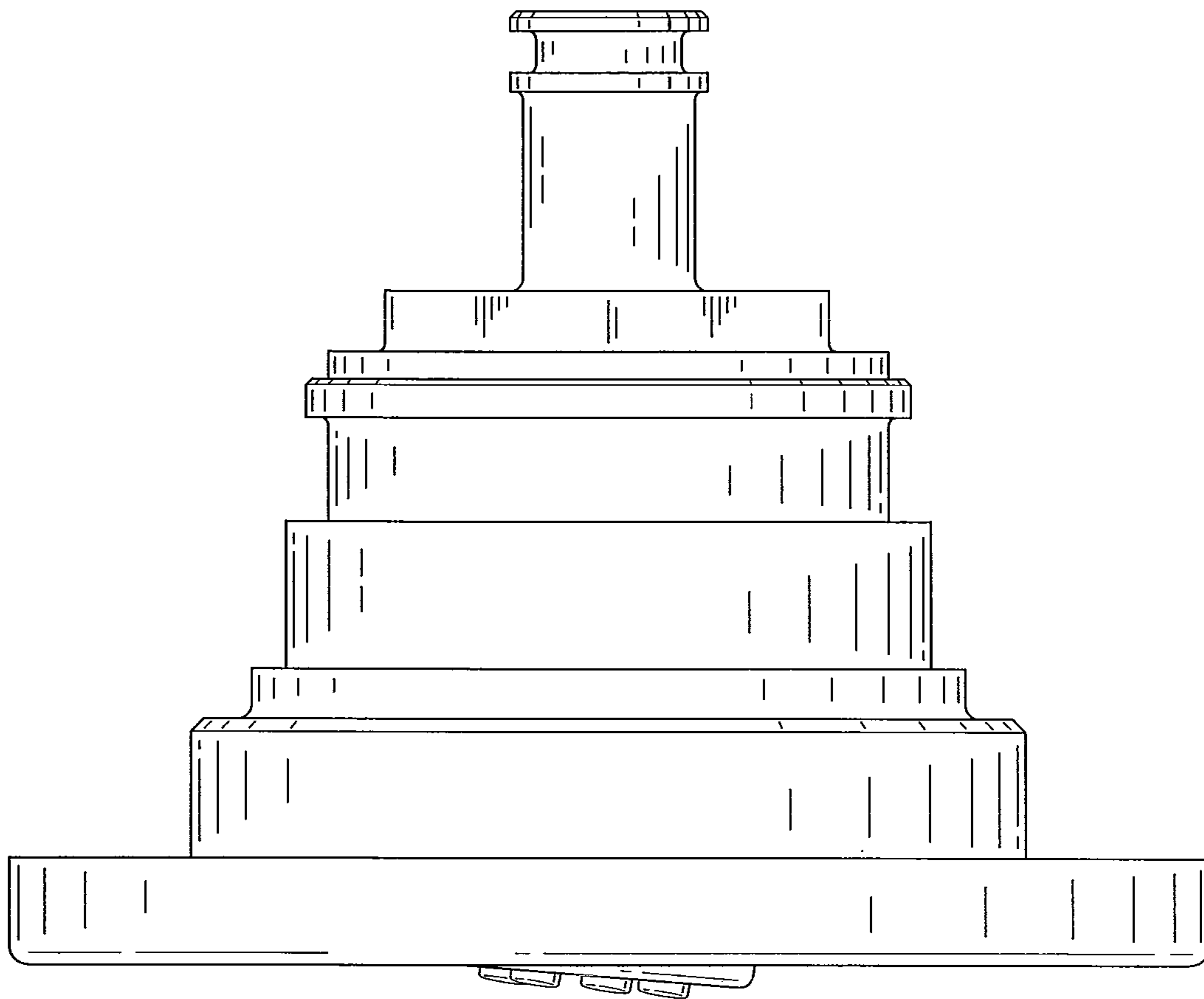


FIG. 6

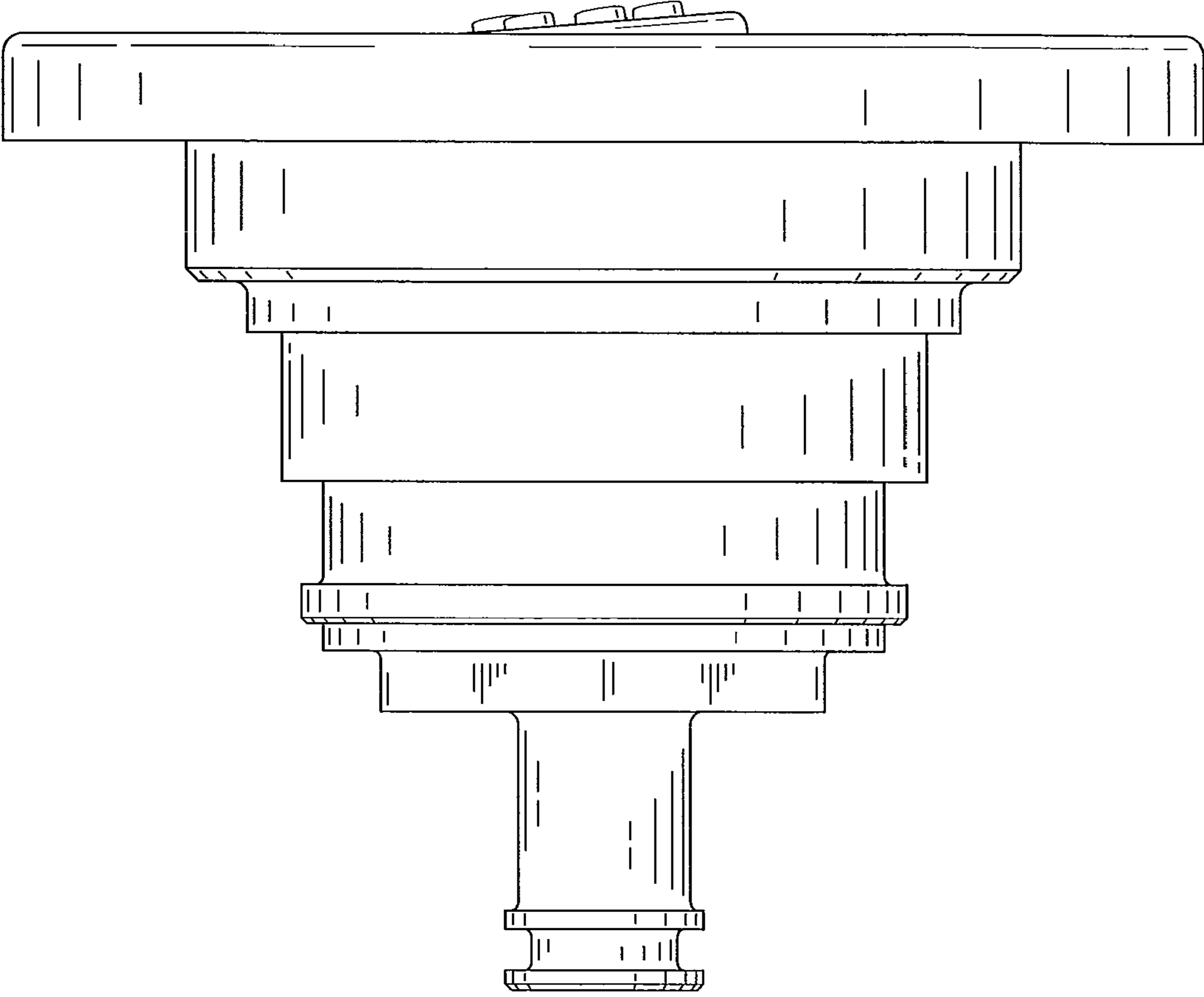


FIG. 7

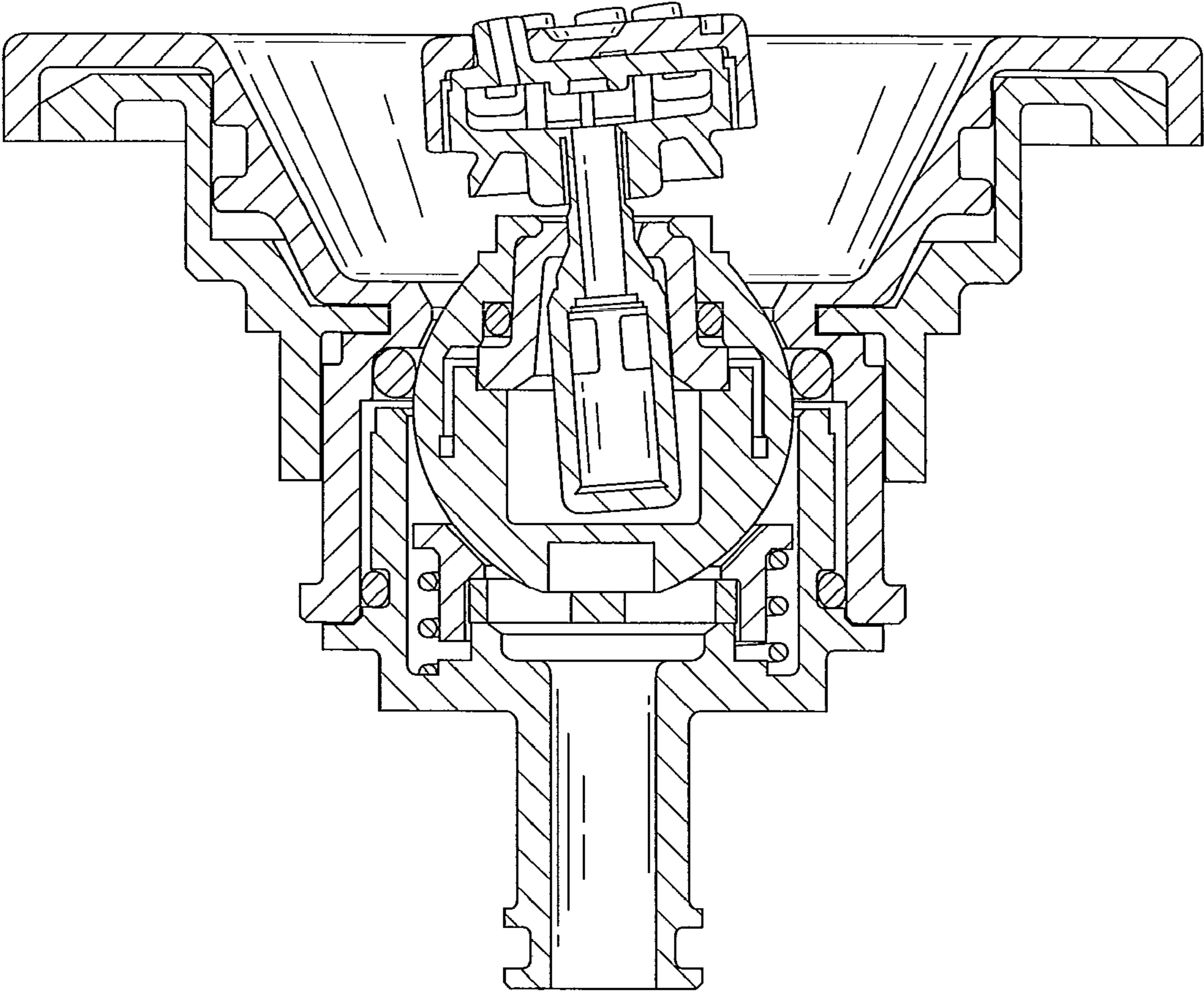


FIG. 8

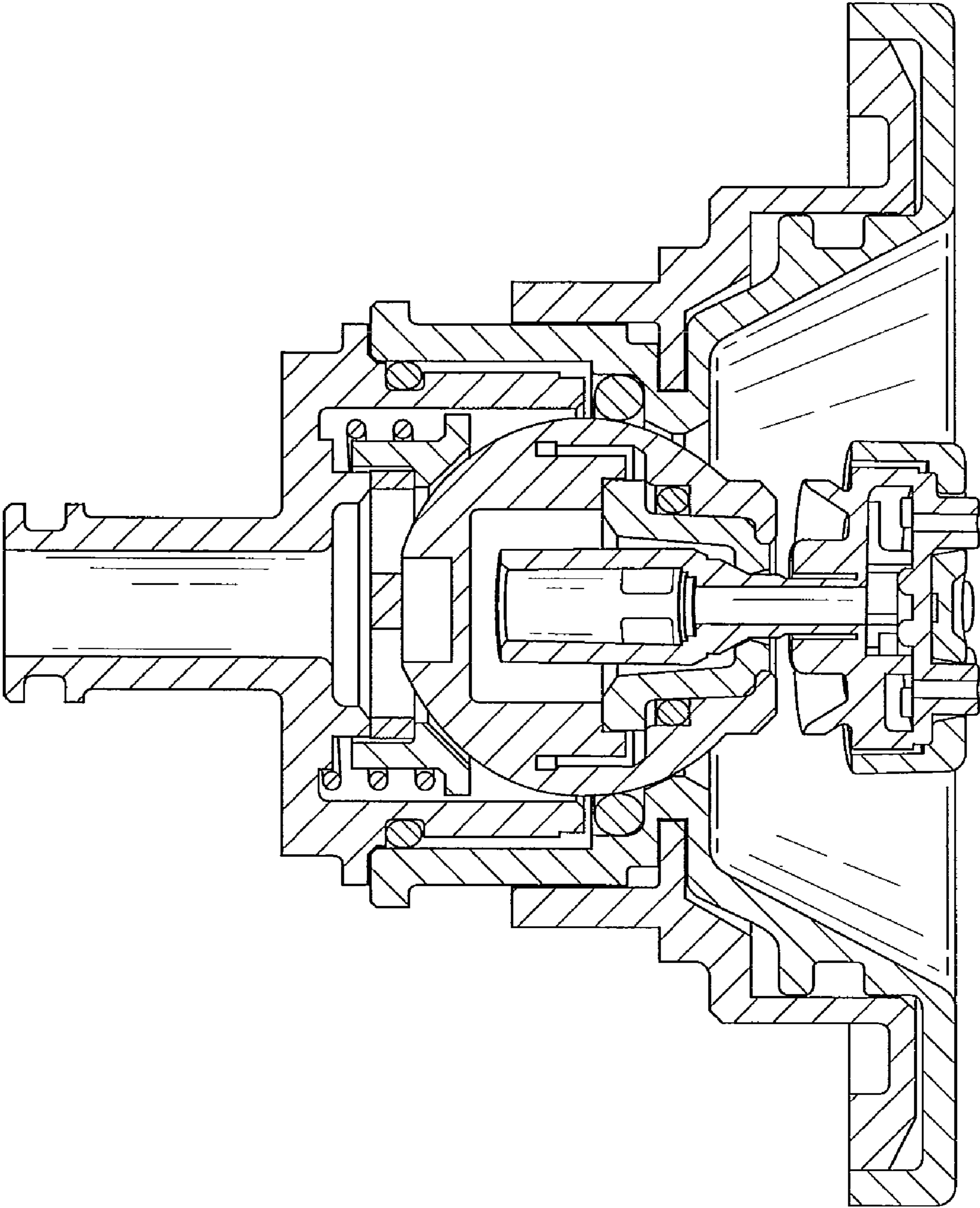


FIG. 9

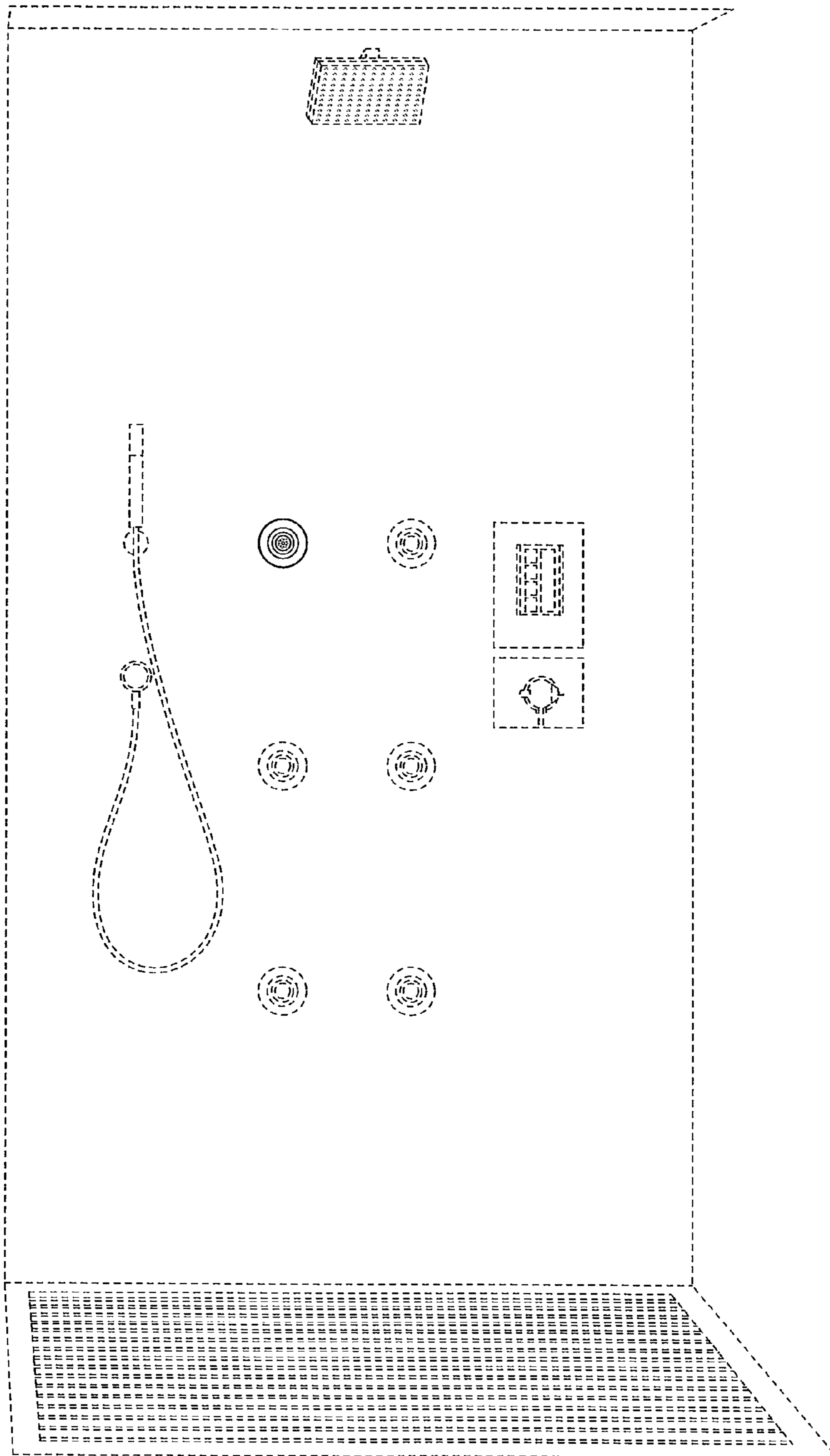


FIG. 10