



US00D610222S

(12) **United States Design Patent**
Moore et al.

(10) **Patent No.:** **US D610,222 S**
(45) **Date of Patent:** **** Feb. 16, 2010**

(54) **PISTOL BAYONET**

(75) Inventors: **Larry E. Moore**, Cottonwood, AZ (US);
Aaron Moore, Cottonwood, AZ (US)

(73) Assignee: **P & L Industries, Inc.**, Cottonwood, AZ (US)

(**) Term: **14 Years**

(21) Appl. No.: **29/324,683**

(22) Filed: **Sep. 17, 2008**

(51) **LOC (9) Cl.** **22-01**

(52) **U.S. Cl.** **D22/108**

(58) **Field of Classification Search** D22/101,
D22/104, 105, 118; D8/99, 100; 42/53
See application file for complete search history.

(56) **References Cited**

U.S. PATENT DOCUMENTS

254 A *	7/1837	Elgin	42/53
92,918 A *	7/1869	Wesson	42/53
D47,700 S *	8/1915	Refermat	D22/101
D48,510 S *	2/1916	Williams	D22/101
D49,065 S *	5/1916	Litwin et al.	D22/101
D49,220 S *	6/1916	Nessing	D22/101
D49,489 S *	8/1916	Mayerle et al.	D22/101
D49,917 S *	11/1916	Bednarowicz	D22/101
D50,629 S *	4/1917	Przepiorka	D22/101
1,273,025 A *	7/1918	Bongel	42/53
1,278,363 A *	9/1918	Lucoff	42/53
1,478,568 A *	12/1923	Kaperzenski	42/53
D224,399 S *	7/1972	Spivey	D22/118
D275,509 S *	9/1984	Powell	D22/101
D400,632 S *	11/1998	Powell	D22/101

6,209,250 B1 *	4/2001	Mills	42/53
6,502,314 B1 *	1/2003	McCatty	30/340
D530,386 S *	10/2006	Betts et al.	D22/101

OTHER PUBLICATIONS

Image retrieved from internet; http://www.uswings.com/images/m4_bayonet.jpg; retrieved Aug. 13, 2008; p. 1.

* cited by examiner

Primary Examiner—T. Chase Nelson

Assistant Examiner—Michael A Pratt

(74) *Attorney, Agent, or Firm*—David E. Rogers; Alex Starkovich; Squire, Sanders & Demspey L.L.P.

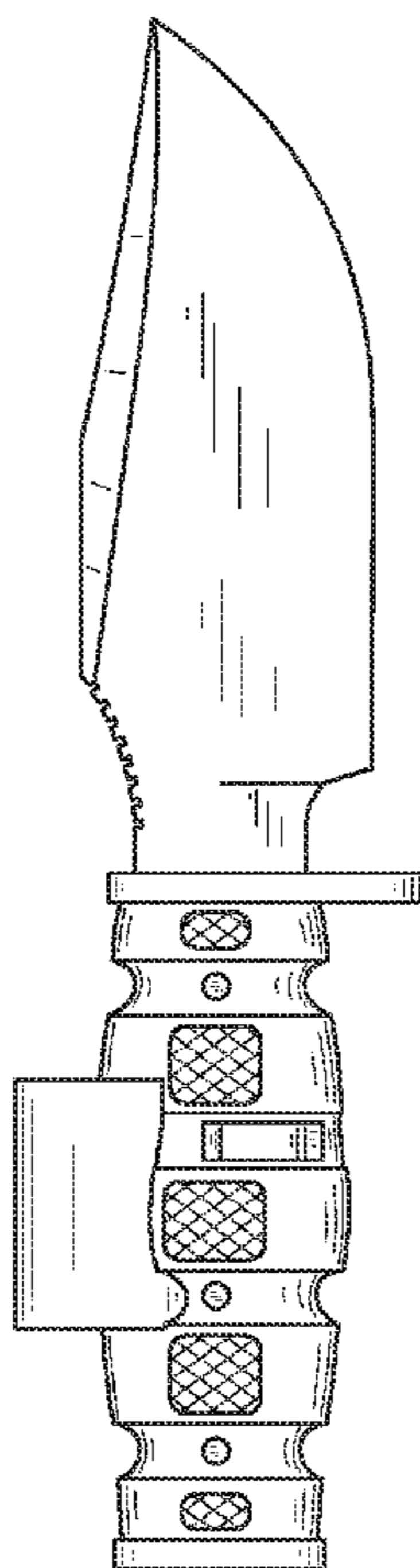
(57) **CLAIM**

The ornamental design for a pistol bayonet, as shown and described.

DESCRIPTION

FIG. 1 is a left side view of the bayonet;
 FIG. 2 is a right side view of the bayonet;
 FIG. 3 is a top view of the bayonet;
 FIG. 4 is a bottom view of the bayonet;
 FIG. 5 is a front view of the bayonet;
 FIG. 6 is a rear view of the bayonet;
 FIG. 7 is a perspective view of the left side of the bayonet;
 FIG. 8 is a perspective view of the right side of the bayonet;
 FIG. 9 is a perspective view of the bottom of the bayonet;
 FIG. 10 is a perspective view of the top of the bayonet;
 FIG. 11 is a perspective view of the front of the bayonet; and,
 FIG. 12 is a perspective view of the rear of the bayonet.

1 Claim, 9 Drawing Sheets



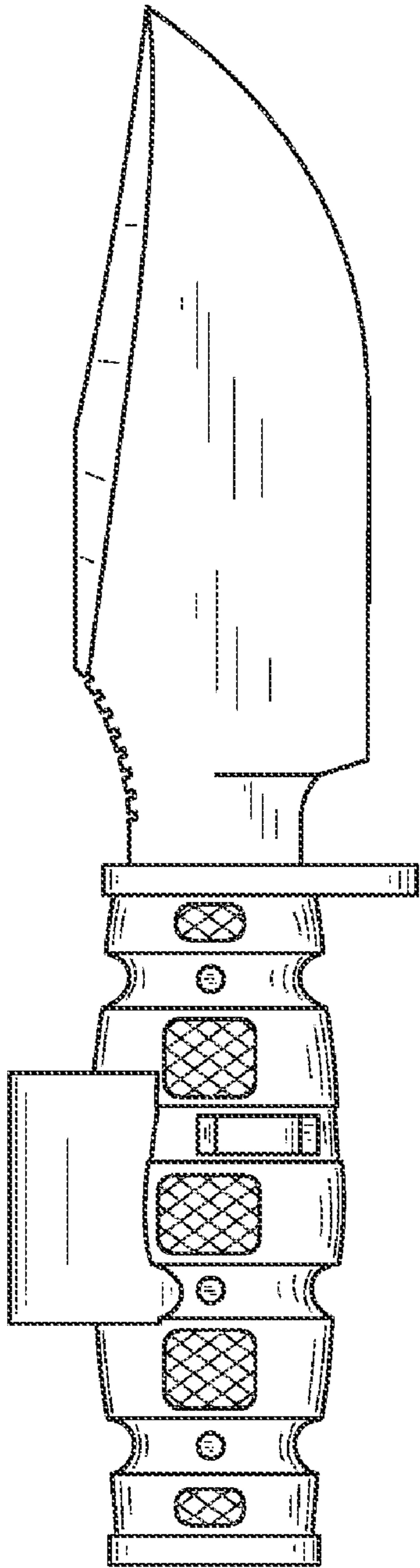


FIG. 1

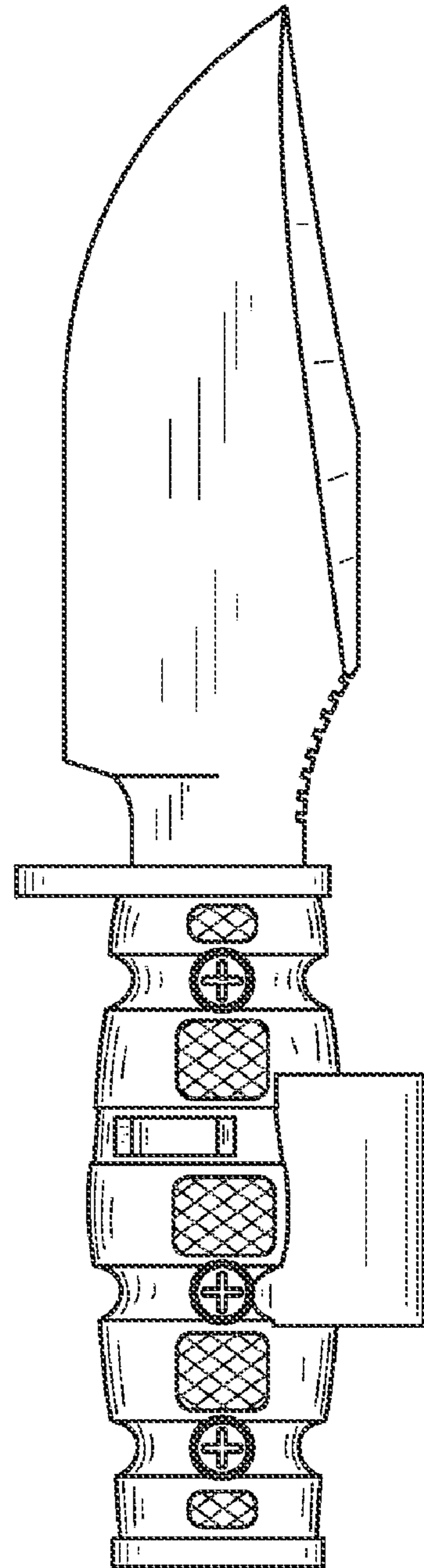


FIG. 2

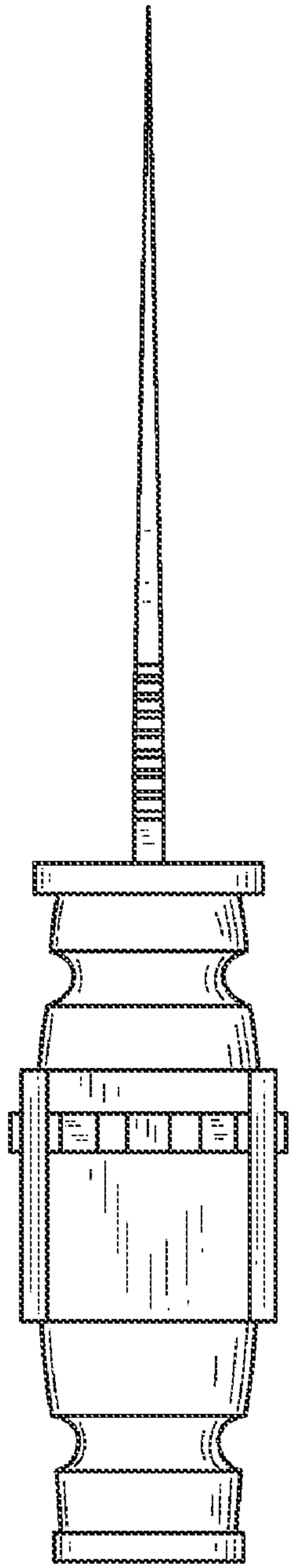


FIG. 3

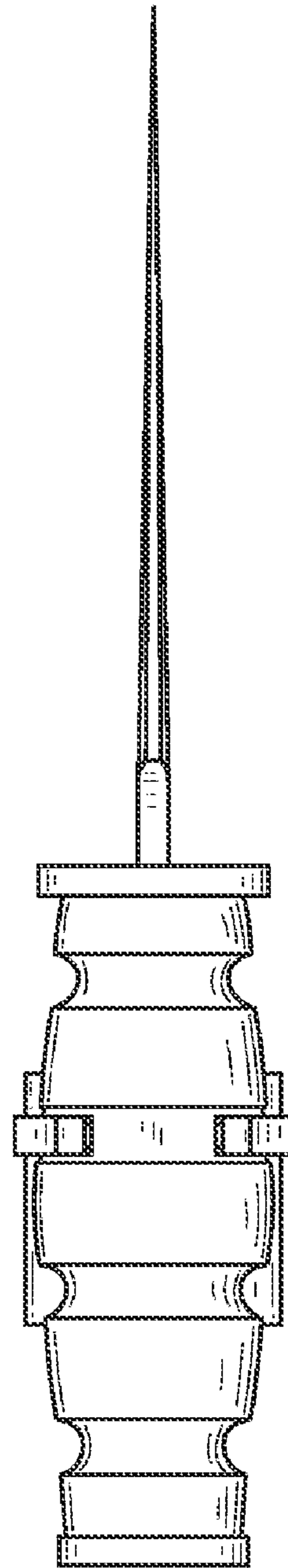


FIG. 4

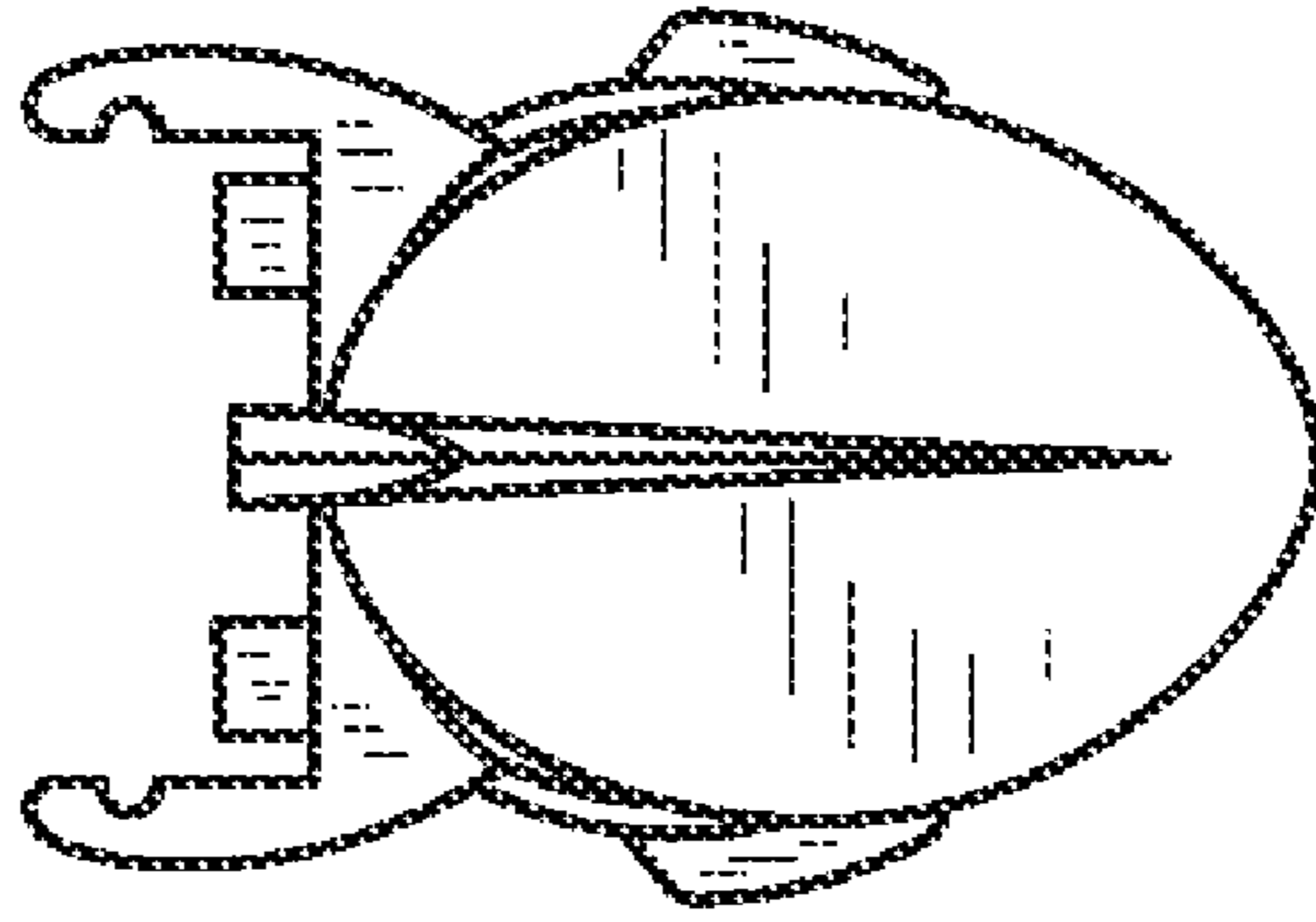


FIG. 5

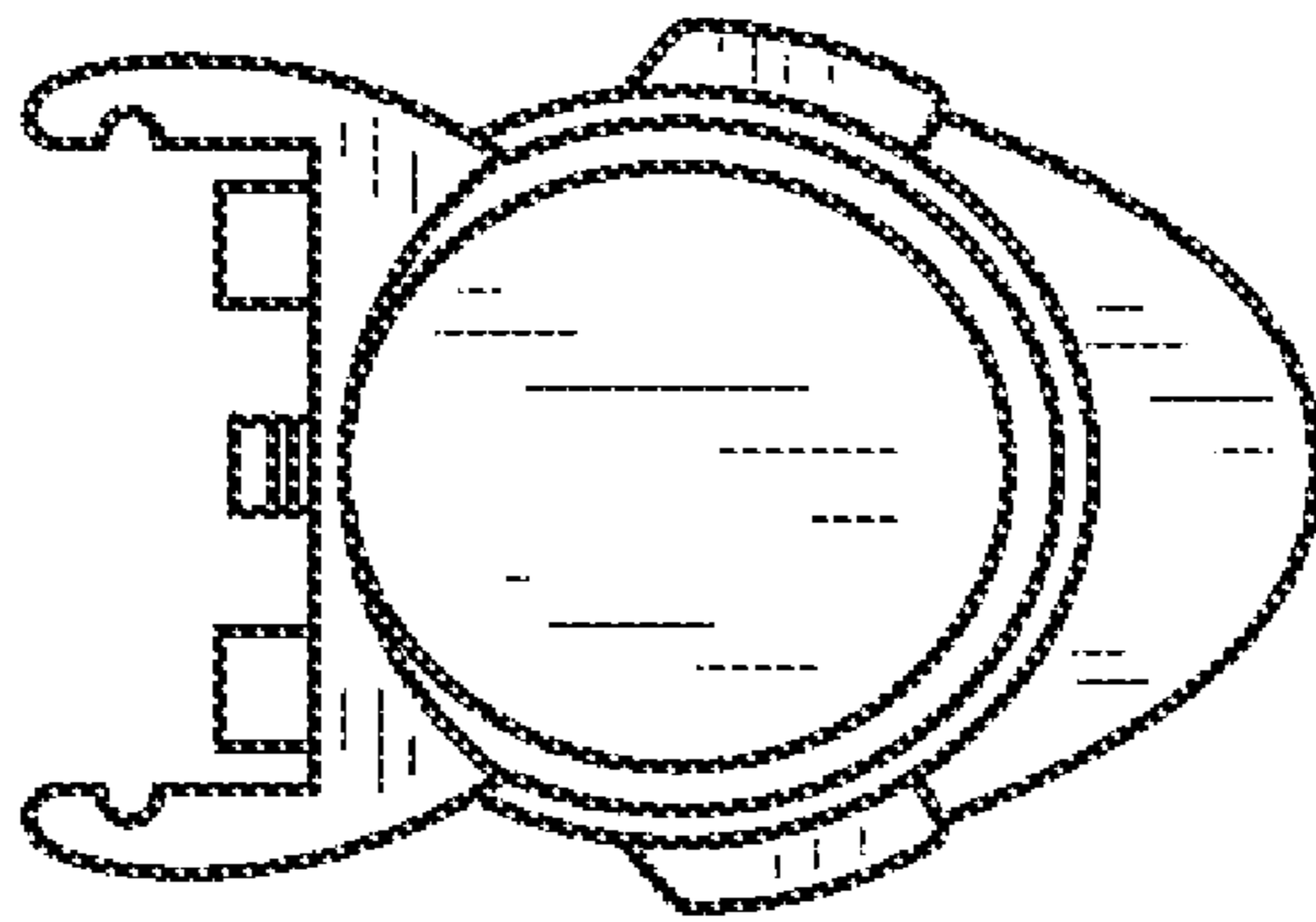


FIG. 6

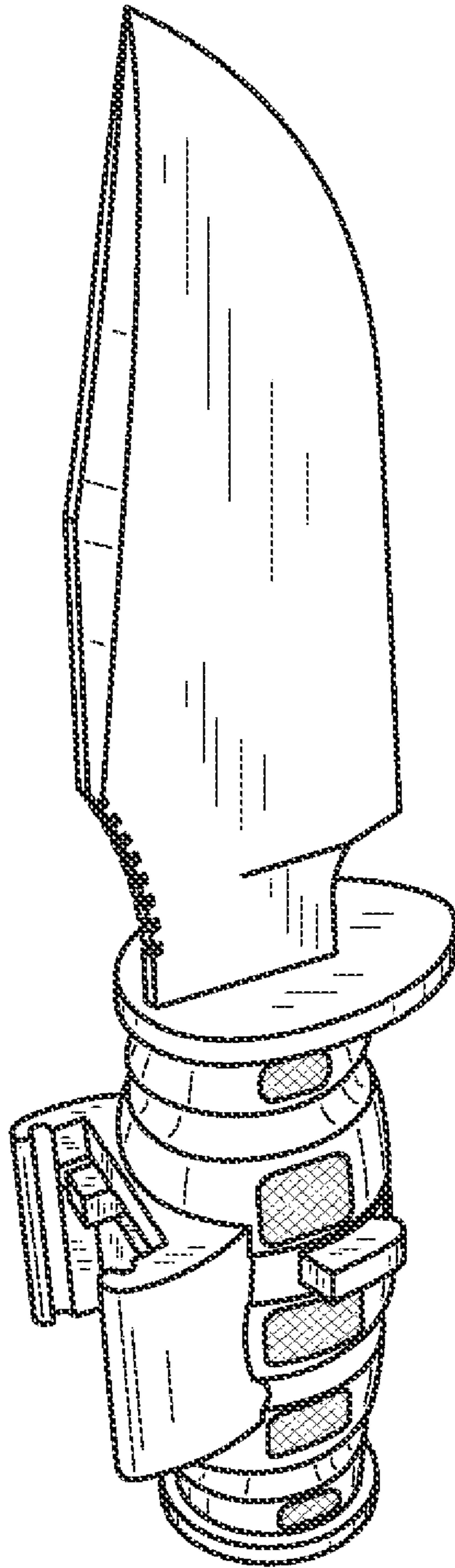


FIG. 7

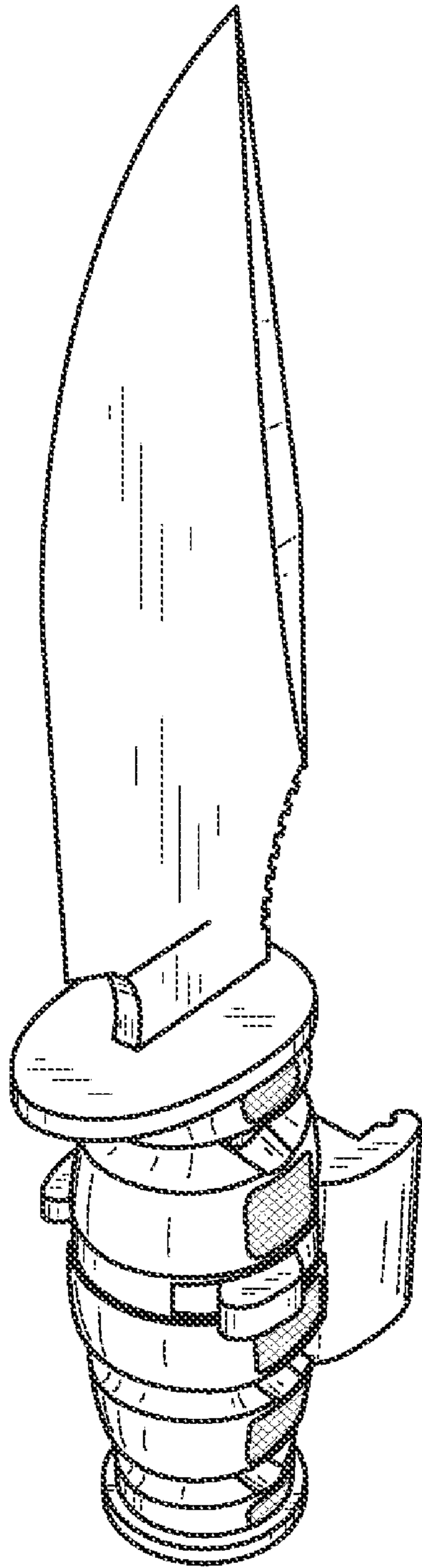


FIG. 8

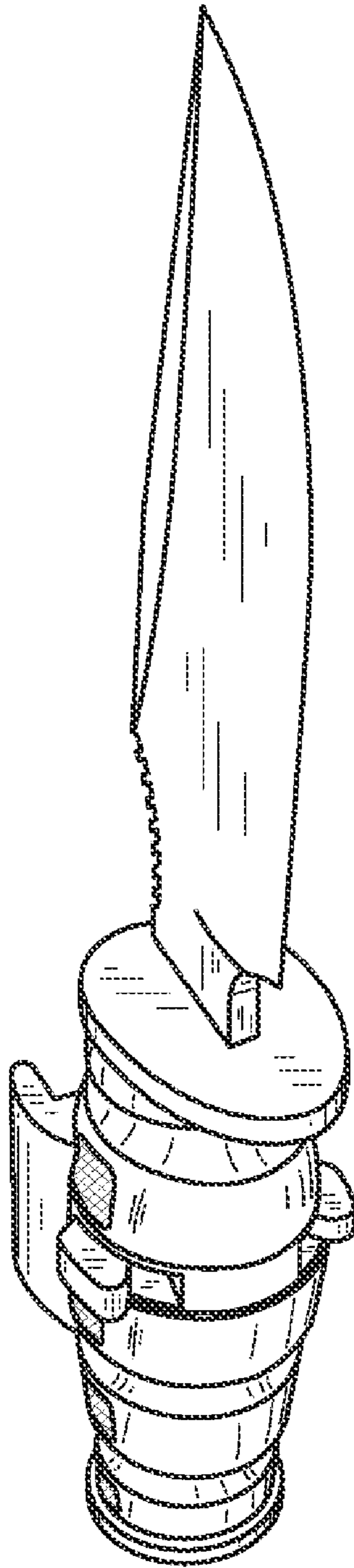


FIG. 9

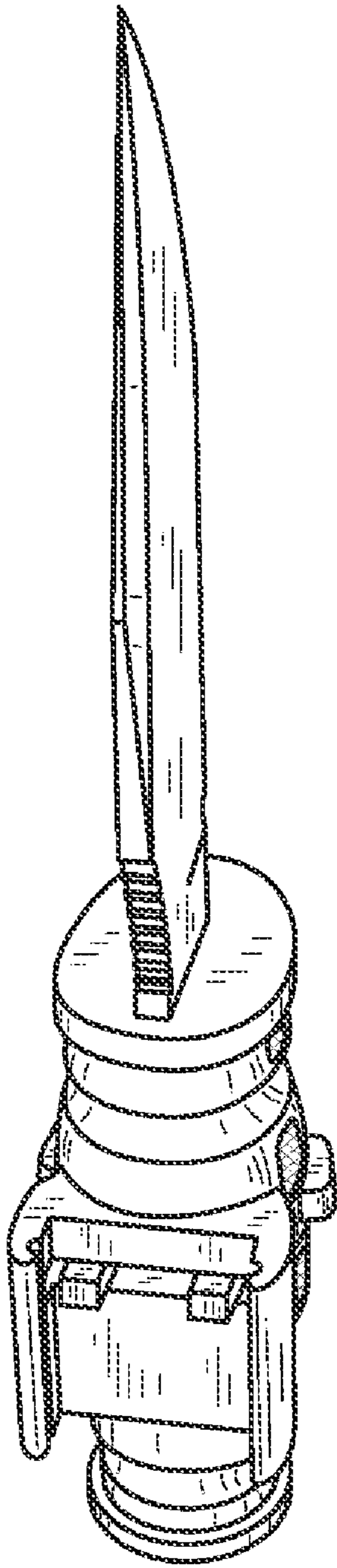


FIG. 10

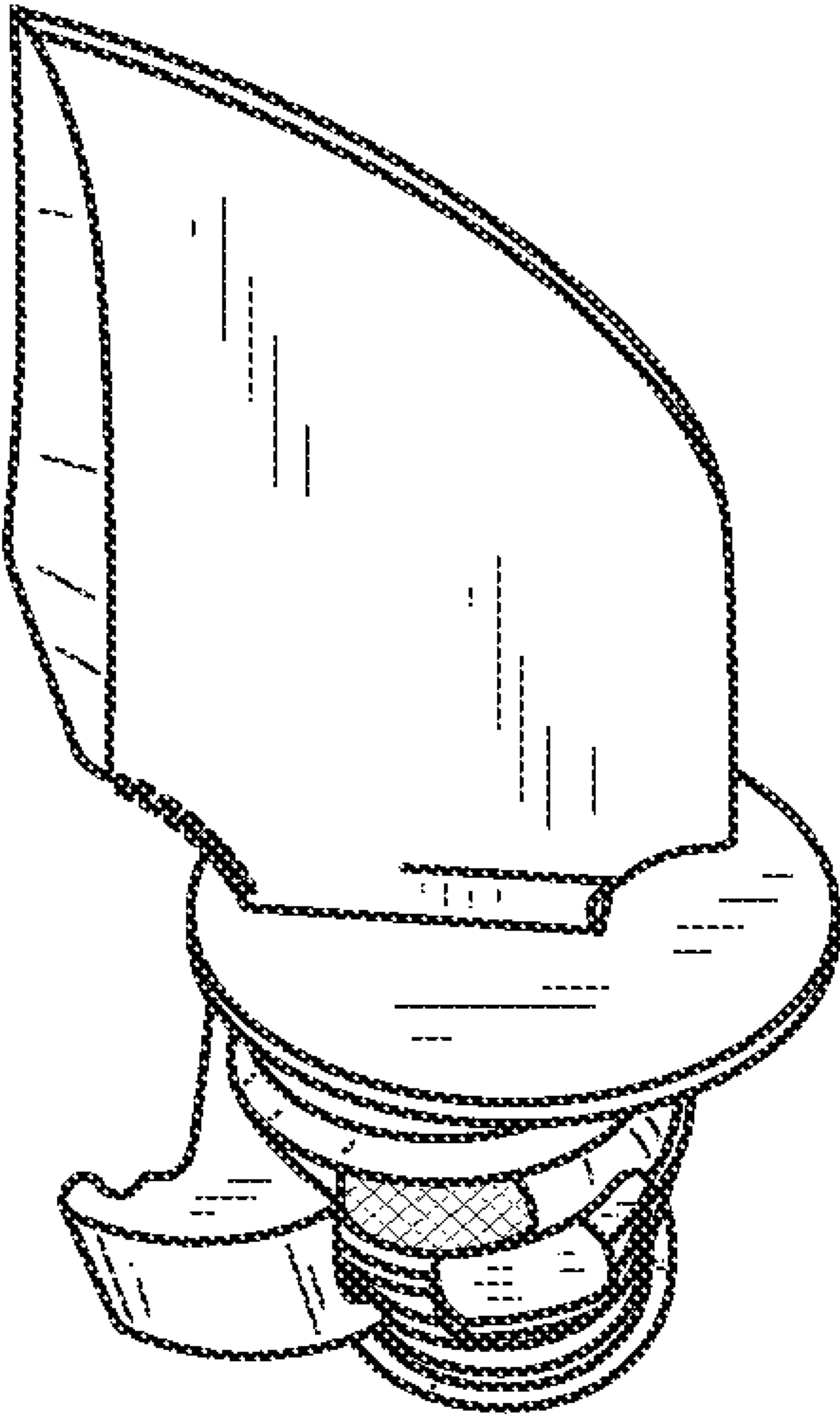


FIG. 11

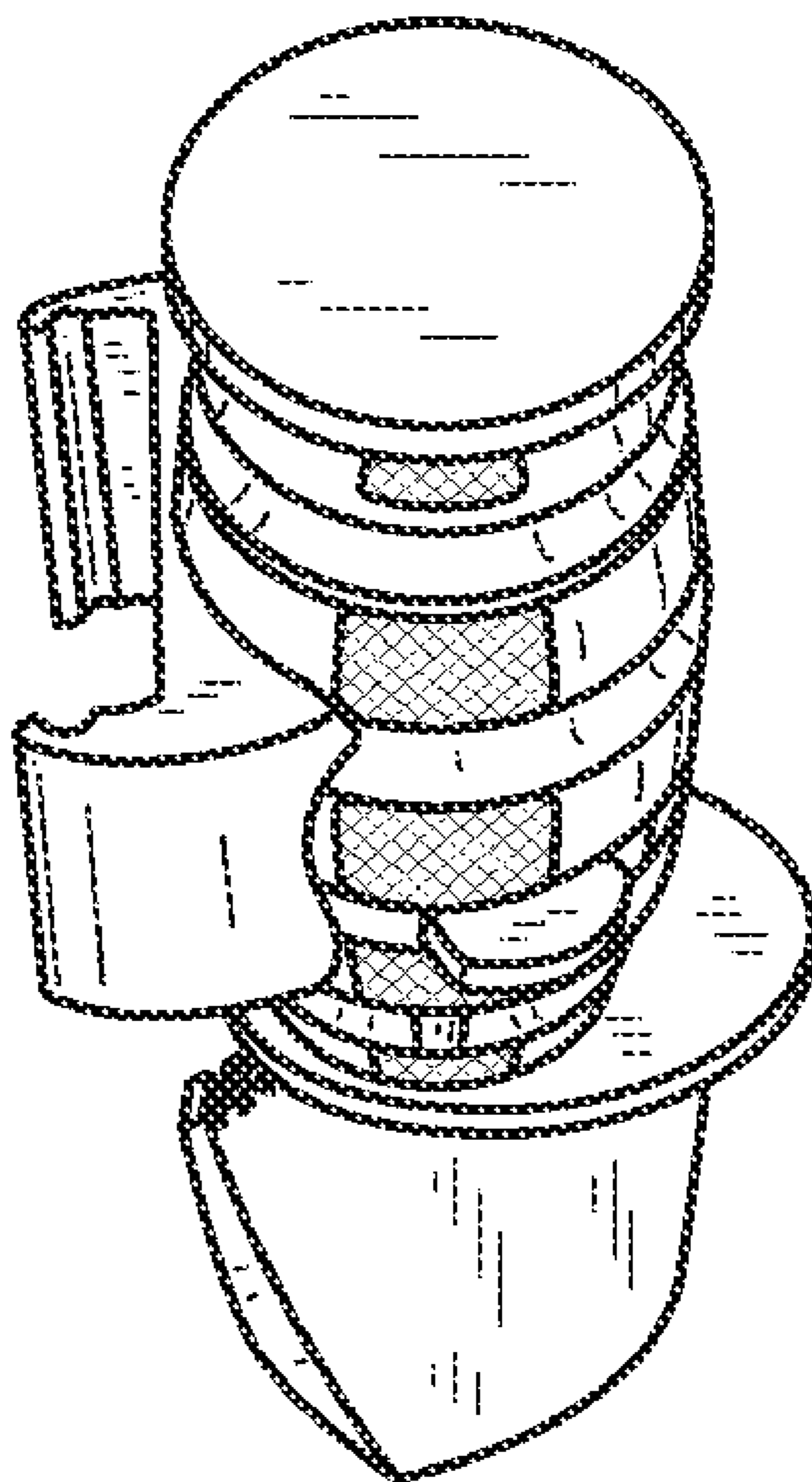


FIG. 12