



US00D610220S

(12) **United States Design Patent**
Vandewater

(10) **Patent No.:** **US D610,220 S**

(45) **Date of Patent:** **** Feb. 16, 2010**

(54) **ARROWHEAD**

5,286,035 A 2/1994 Ward

(75) Inventor: **Douglas A. Vandewater**, Wyoming, MI
(US)

(73) Assignee: **EP Hunting LLC**, Byron Center, MI
(US)

(**) Term: **14 Years**

(21) Appl. No.: **29/333,835**

(22) Filed: **Mar. 16, 2009**

(51) **LOC (9) Cl.** **22-01**

(52) **U.S. Cl.** **D22/107**

(58) **Field of Classification Search** D22/107;
124/86-89; D10/96; D21/573, 753, 789,
D21/791; D8/402; 473/300; D18/35
See application file for complete search history.

(56) **References Cited**

U.S. PATENT DOCUMENTS

2,568,417 A	9/1951	Steinbacher	
D167,771 S *	9/1952	Reams	D22/115
3,000,635 A	9/1961	Nieman	
3,036,395 A	5/1962	Nelson	
3,138,383 A	6/1964	McKinzie	
3,618,948 A	11/1971	McGlocklin	
4,166,619 A	9/1979	Bergmann et al.	
D287,157 S *	12/1986	Griz	D22/107
4,940,246 A	7/1990	Stagg	
D310,553 S *	9/1990	Kania et al.	D22/115
5,044,640 A	9/1991	DelMonte et al.	
5,102,147 A	4/1992	Szeluga	
5,172,916 A	12/1992	Puckett	

OTHER PUBLICATIONS

Printout of website www.bowhunting.net/NewProducts/2004/Barry-GatorXP.html (2 pages).

* cited by examiner

Primary Examiner—T. Chase Nelson

Assistant Examiner—Michael A Pratt

(74) *Attorney, Agent, or Firm*—Van Dyke, Gardner, Linn & Burkhardt, LLP

(57) **CLAIM**

The ornamental design for the arrowhead, as shown and described.

DESCRIPTION

FIG. 1 is a perspective view of an arrowhead in accordance with the present invention;

FIG. 2 is another perspective view thereof;

FIG. 3 is a side elevation thereof;

FIG. 4 is another side elevation thereof;

FIG. 5 is a side elevation opposite to the side elevation of FIG. 3;

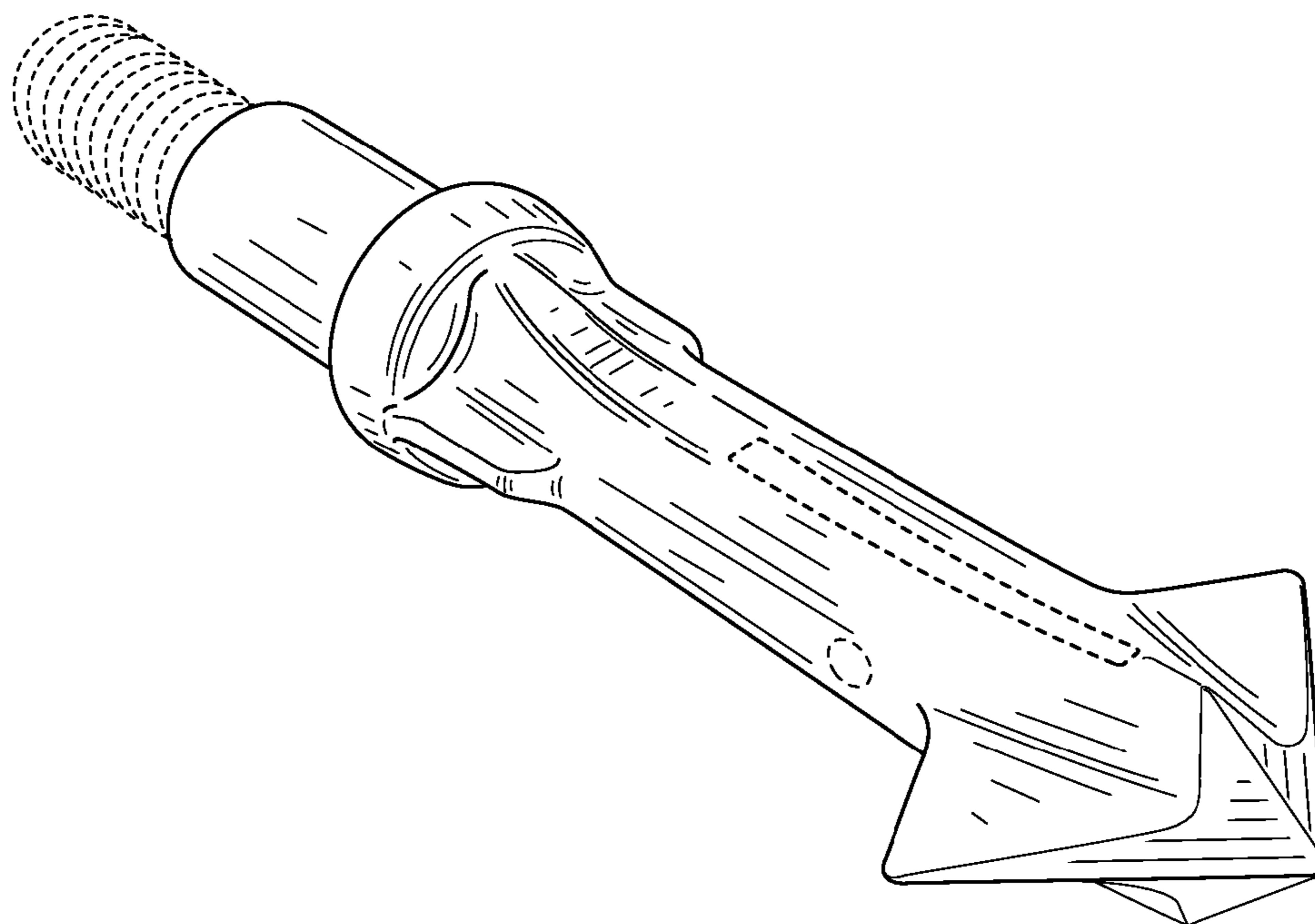
FIG. 6 is a side elevation opposite to the side elevation of FIG. 4;

FIG. 7 is an end elevation thereof; and,

FIG. 8 is an opposite end elevation thereof.

The broken lines in FIGS. 1-6 and 8 form no part of the claimed design.

1 Claim, 5 Drawing Sheets



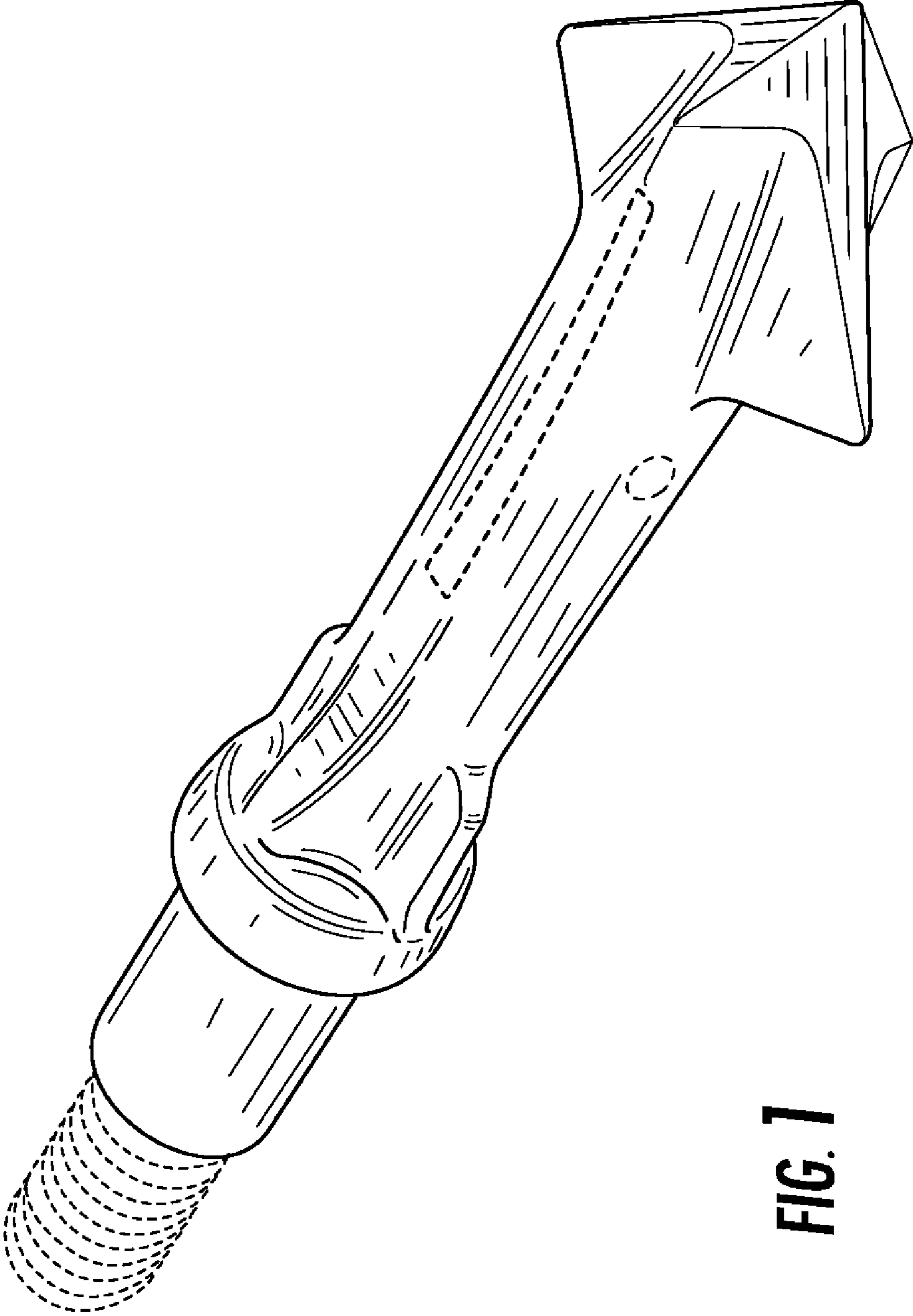


FIG. 1

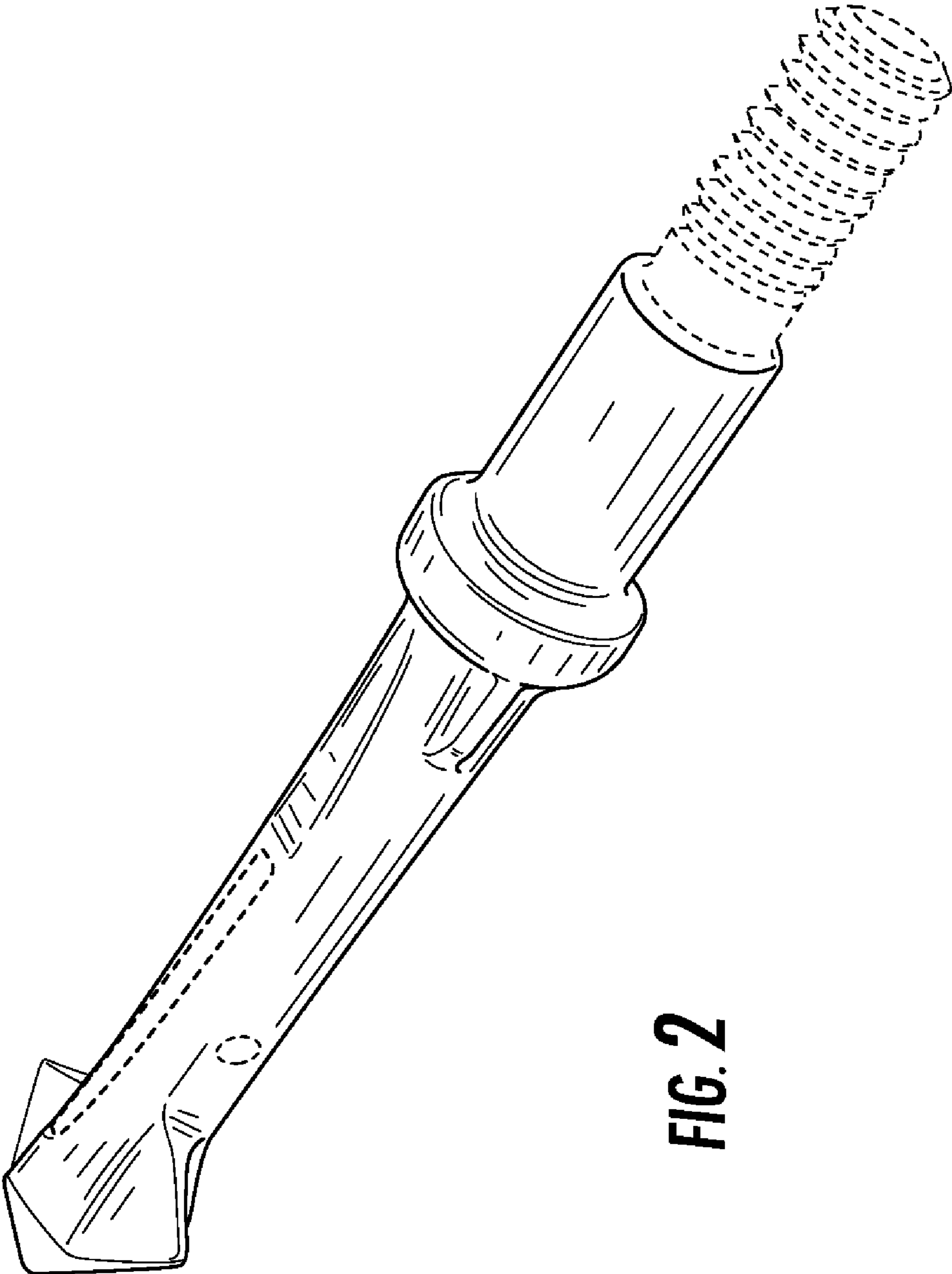


FIG. 2

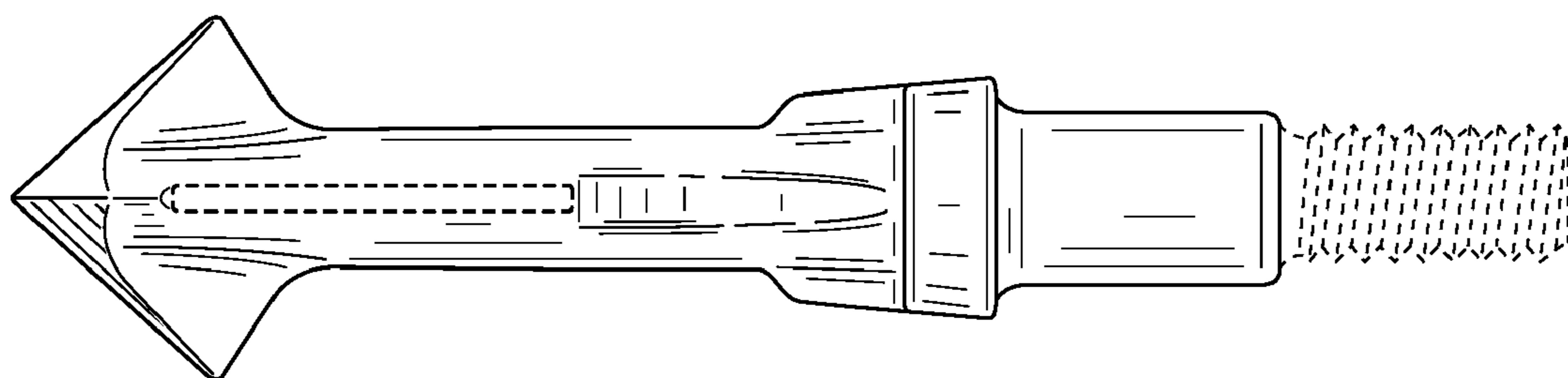


FIG. 3

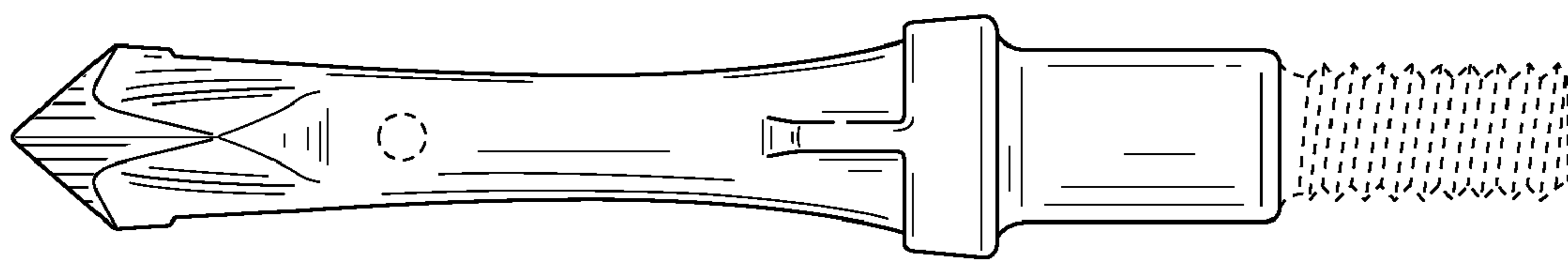


FIG. 4

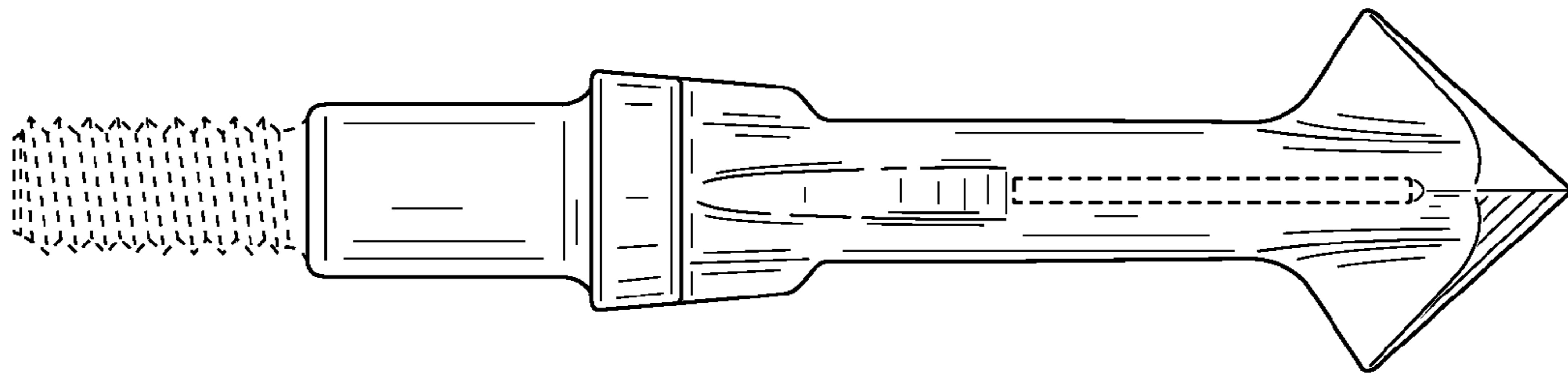


FIG. 5

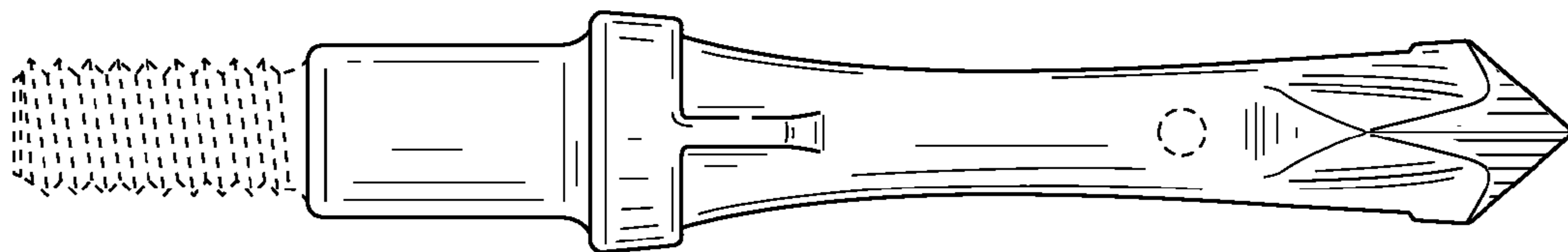


FIG. 6

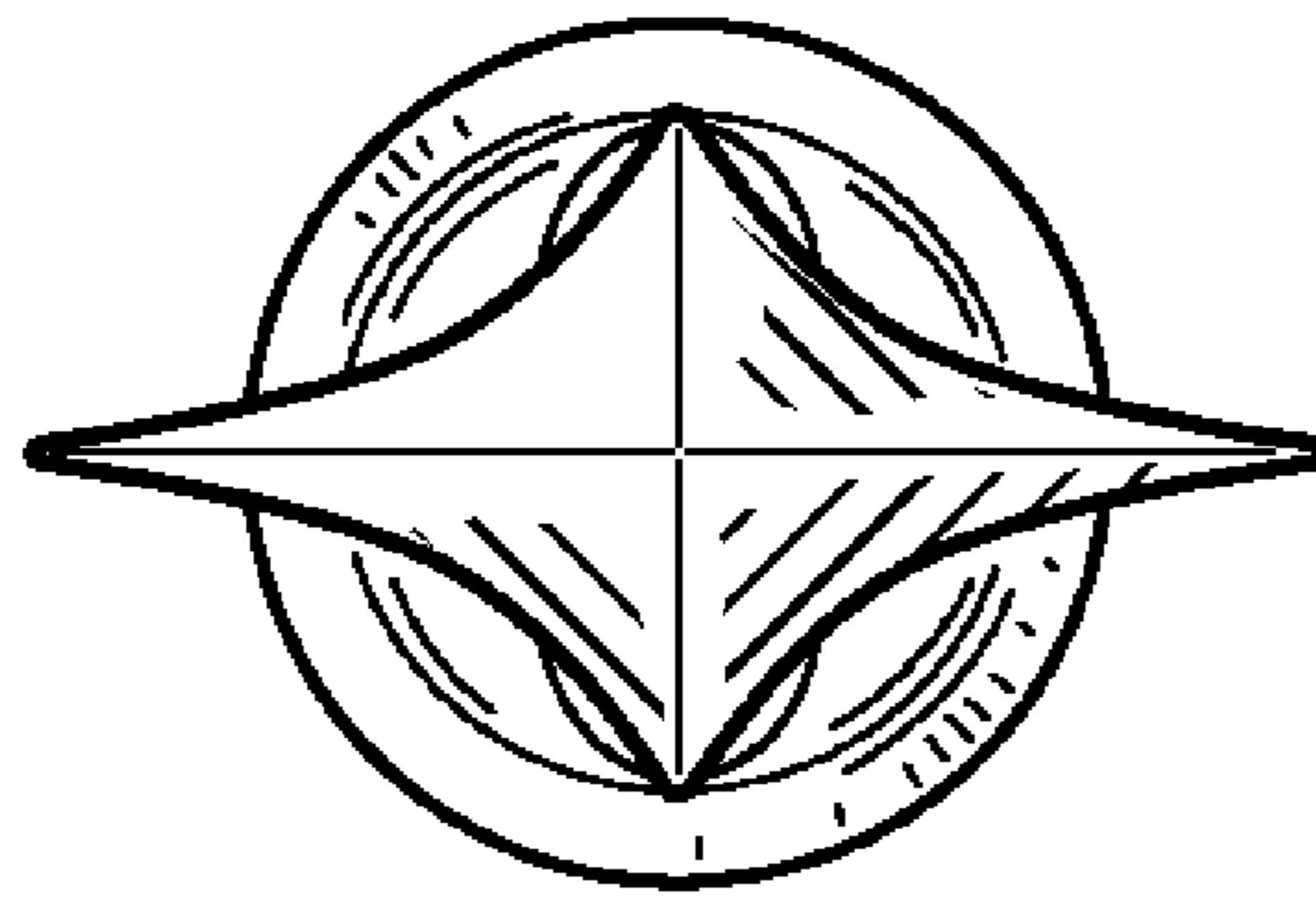


FIG. 7

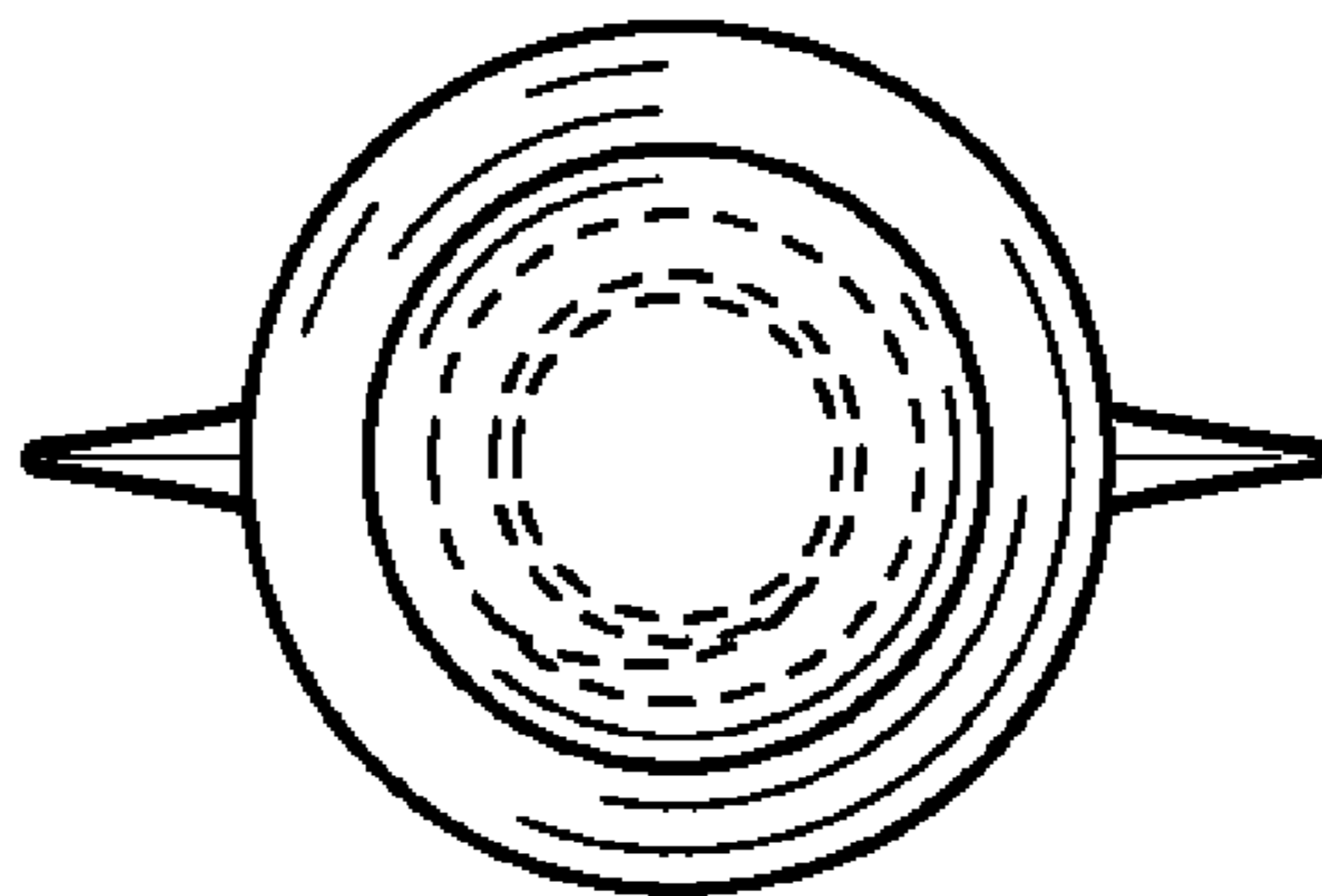


FIG. 8