



US00D610219S

(12) **United States Design Patent**
Harris et al.

(10) **Patent No.:** **US D610,219 S**
(45) **Date of Patent:** **** Feb. 16, 2010**

(54) **ARCHERY BOW STABILIZER**
(75) Inventors: **Jason Harris**, Stansbury Park, UT (US);
Ross M. Hirschberger, West Valley
City, UT (US)

D406,301 S * 3/1999 Fitzgerald, Jr. D22/107
D442,665 S * 5/2001 Caudle et al. D22/107
D446,278 S * 8/2001 Fitzgerald, Jr. D22/107
D561,292 S * 2/2008 Butcher D22/107
D593,181 S * 5/2009 Barnard D22/107

(73) Assignee: **Easton Technical Products, Inc.**, Salt
Lake City, UT (US)

* cited by examiner

(**) Term: **14 Years**

Primary Examiner—T. Chase Nelson

Assistant Examiner—Michael A Pratt

(74) *Attorney, Agent, or Firm*—Holland & Hart

(21) Appl. No.: **29/330,456**

(57) **CLAIM**

(22) Filed: **Jan. 7, 2009**

The ornamental design for an “archery bow stabilizer,” as
shown and described.

(51) **LOC (9) Cl.** **22-01**

(52) **U.S. Cl.** **D22/107**

(58) **Field of Classification Search** D22/107;
124/86–89; D21/789–791; D8/402; 473/300;
D18/35

DESCRIPTION

See application file for complete search history.

FIG. 1 is a perspective view of an “archery bow stabilizer”
according to a first embodiment;

FIG. 2 is a side view of the “archery bow stabilizer” of FIG. 1;

FIG. 3 is an end view of the “archery bow stabilizer” of FIG.
1;

FIG. 4 is a perspective view of an “archery bow stabilizer”
according to a second embodiment;

FIG. 5 is a side view of the “archery bow stabilizer” of FIG. 4;

FIG. 6 is a first end view of the “archery bow stabilizer” of
FIG. 4; and,

FIG. 7 is a second end view of the “archery bow stabilizer” of
FIG. 4.

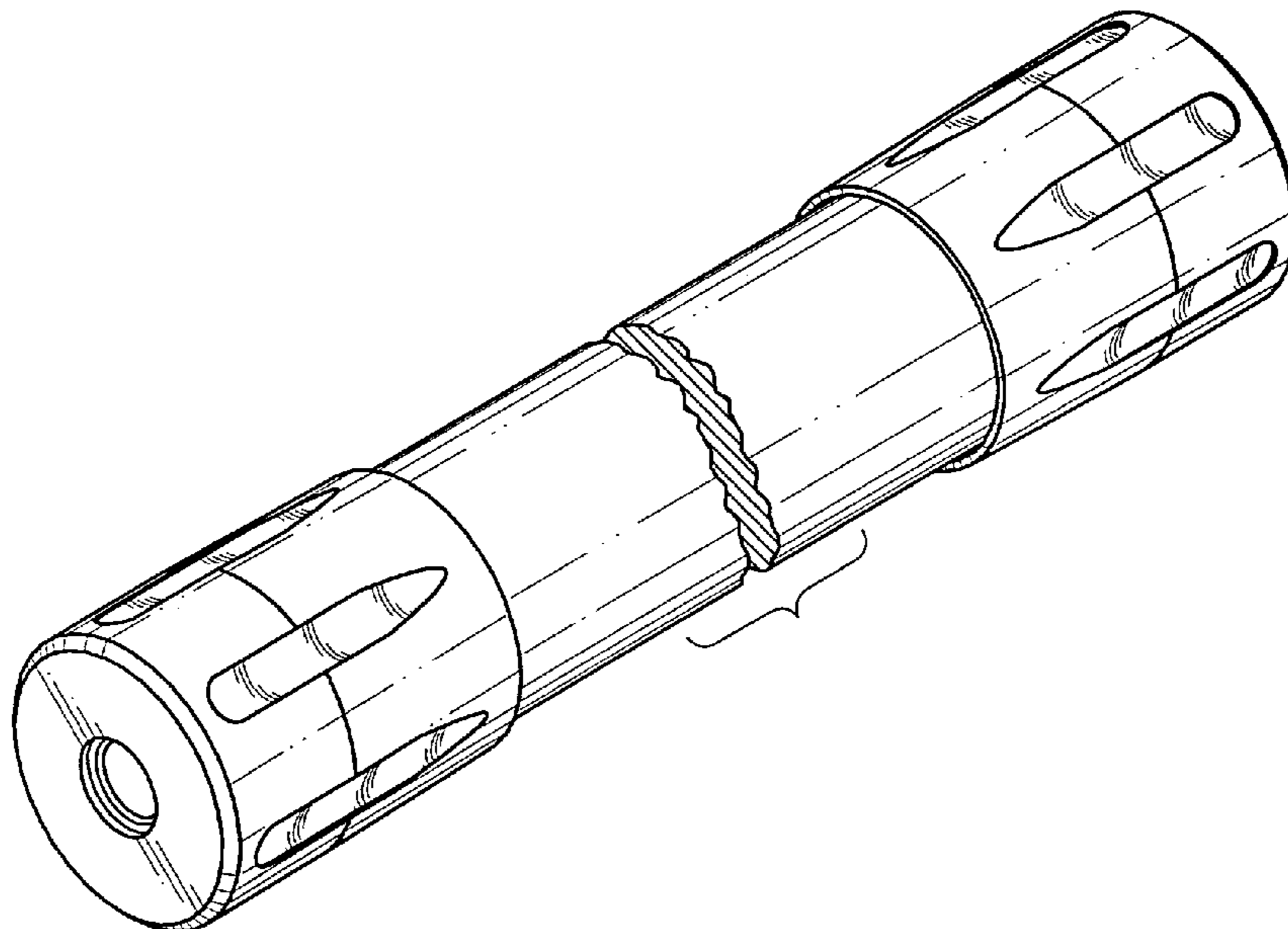
The embodiments are shown broken away in order to indicate
that a specific length of the broken away portion forms no part
of the claimed design.

(56) **References Cited**

U.S. PATENT DOCUMENTS

3,670,712	A *	6/1972	Izuta	124/89
3,690,414	A	9/1972	Aggarwal et al.		
4,570,608	A	2/1986	Masterfield		
4,615,327	A	10/1986	Saunders		
4,893,606	A	1/1990	Sisko		
5,016,602	A	5/1991	Mizek		
5,090,396	A *	2/1992	Bickel et al.	124/89
5,370,104	A	12/1994	Nie		
5,460,156	A *	10/1995	Sappington	124/89
5,487,375	A	1/1996	McDonald		
5,511,533	A	4/1996	Waller		
D386,552	S *	11/1997	Kunz	D22/107
5,735,257	A	4/1998	Walk		
D406,300	S *	3/1999	Fitzgerald, Jr.	D22/107

1 Claim, 4 Drawing Sheets



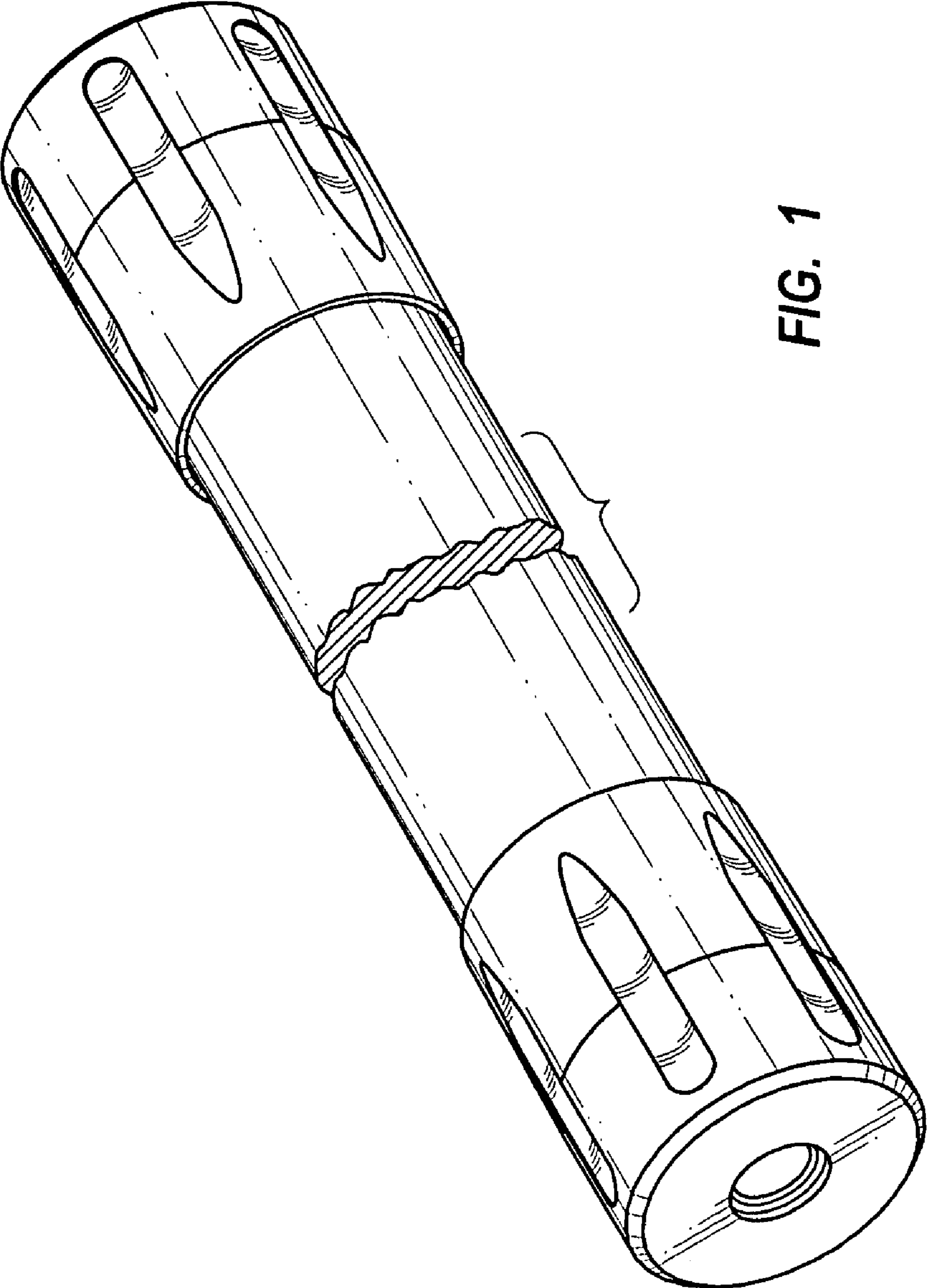


FIG. 1

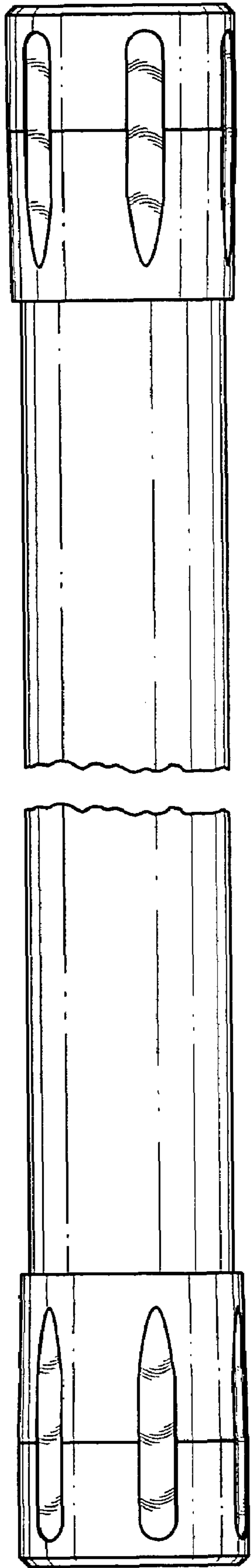


FIG. 2

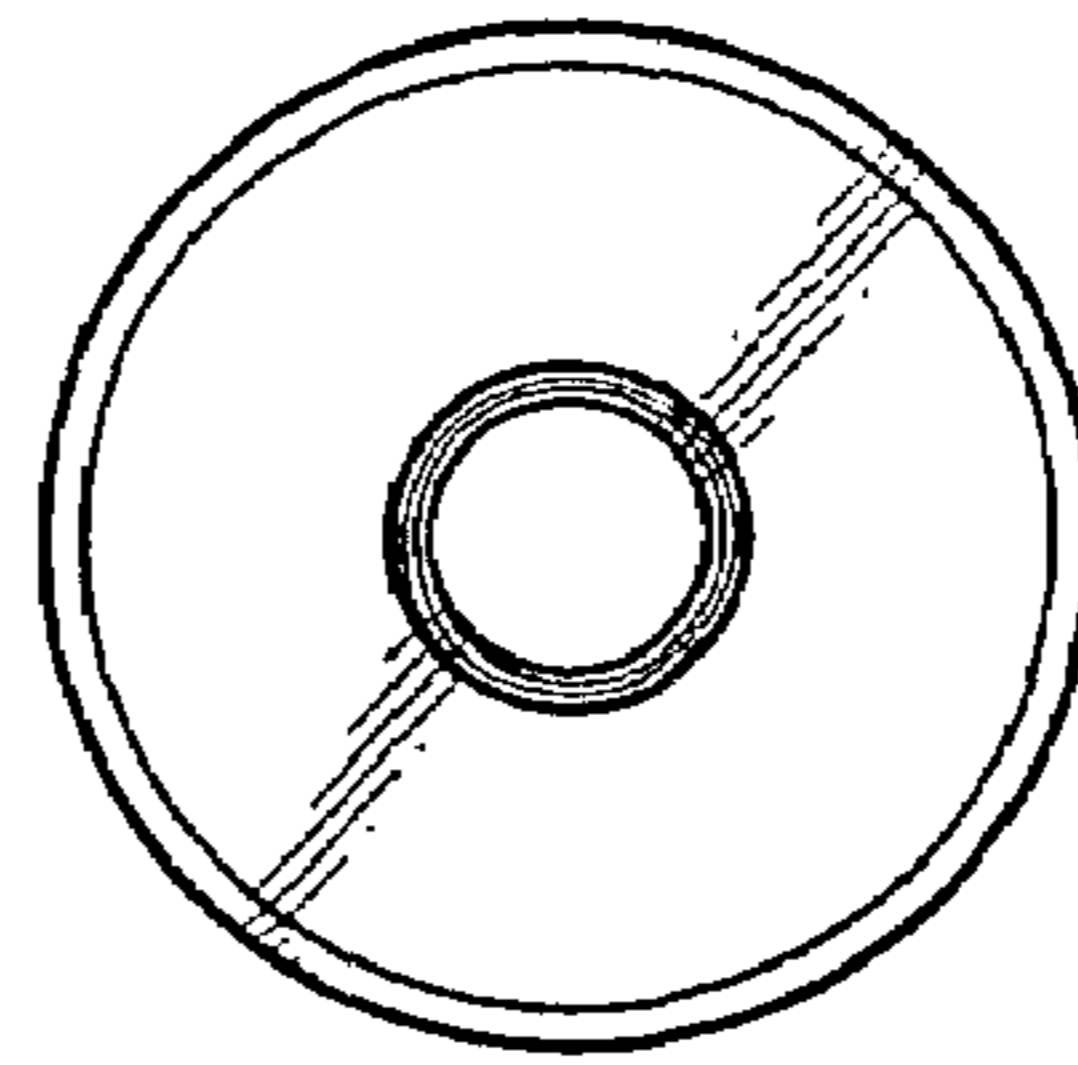


FIG. 3

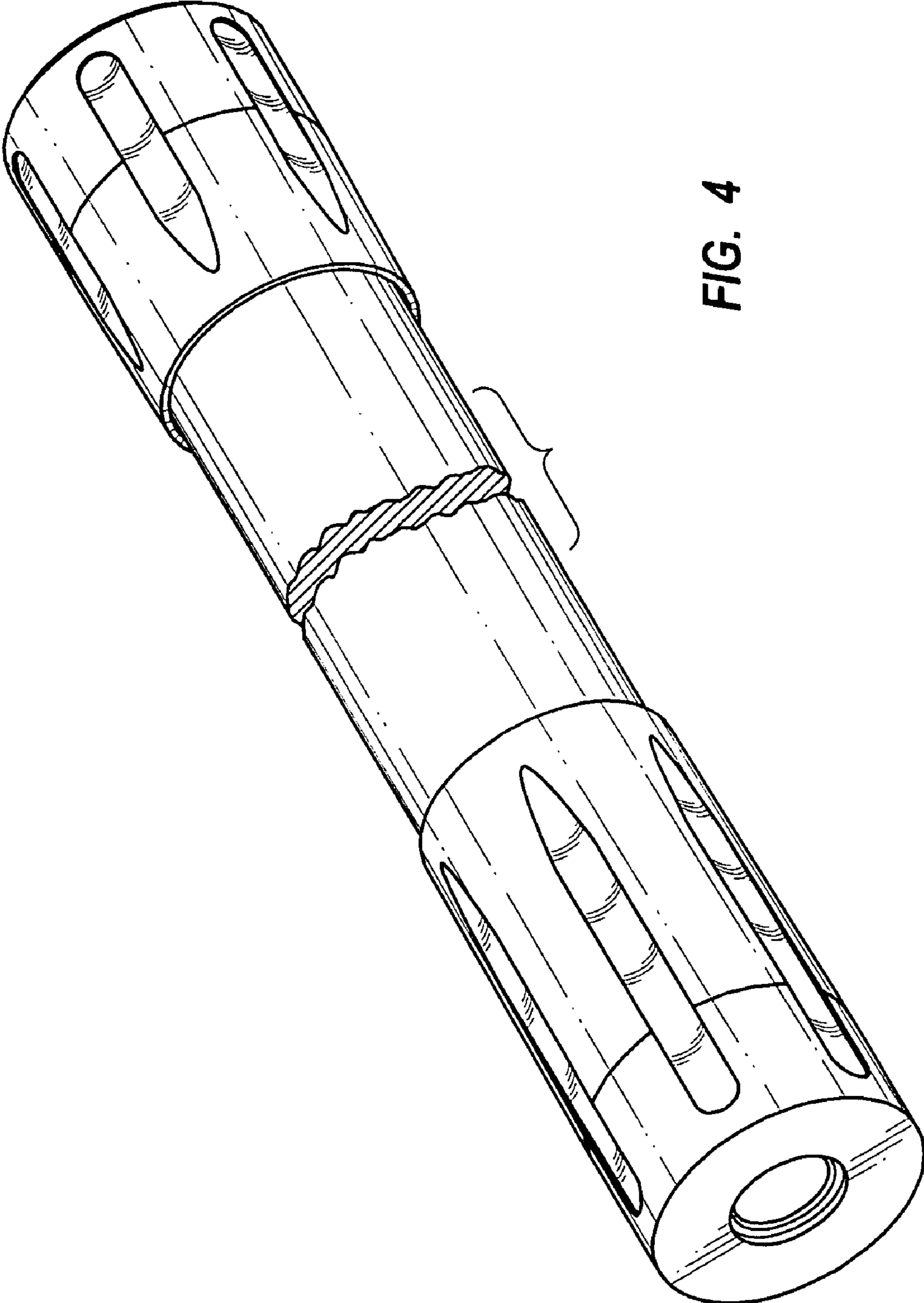


FIG. 4

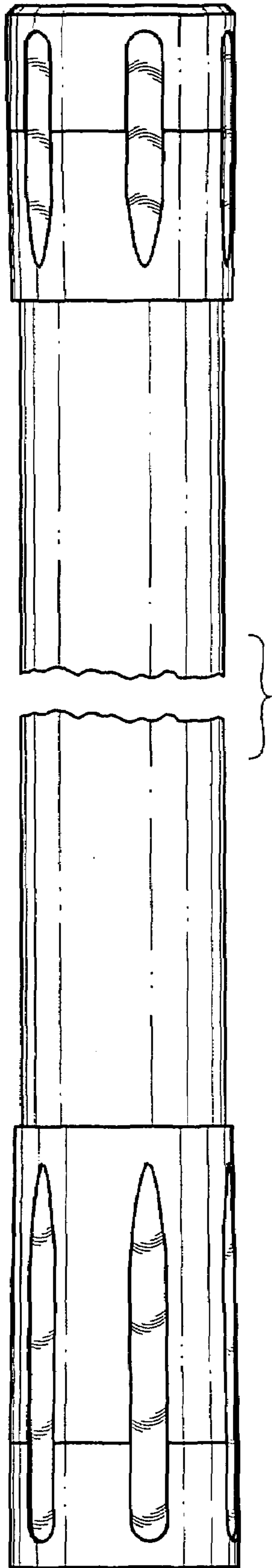


FIG. 5

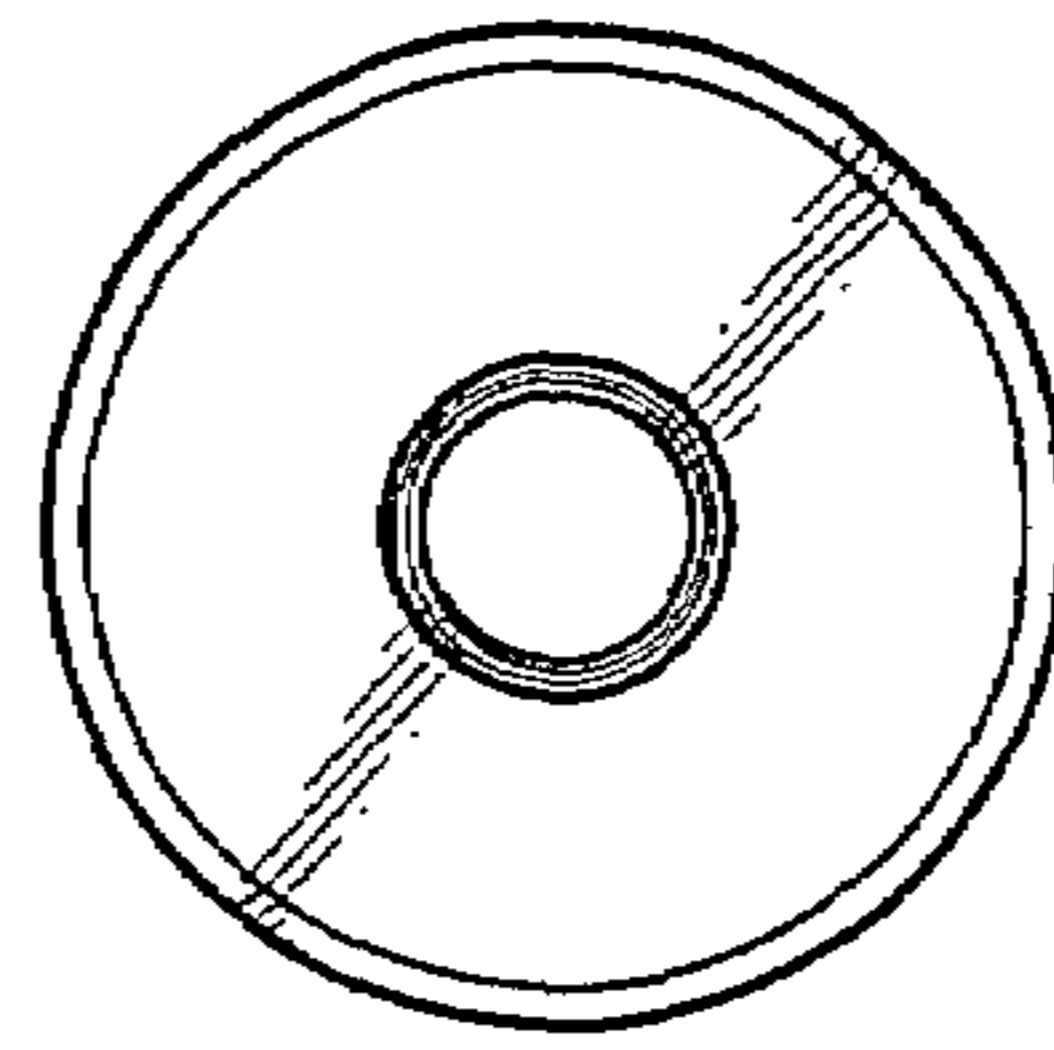


FIG. 6

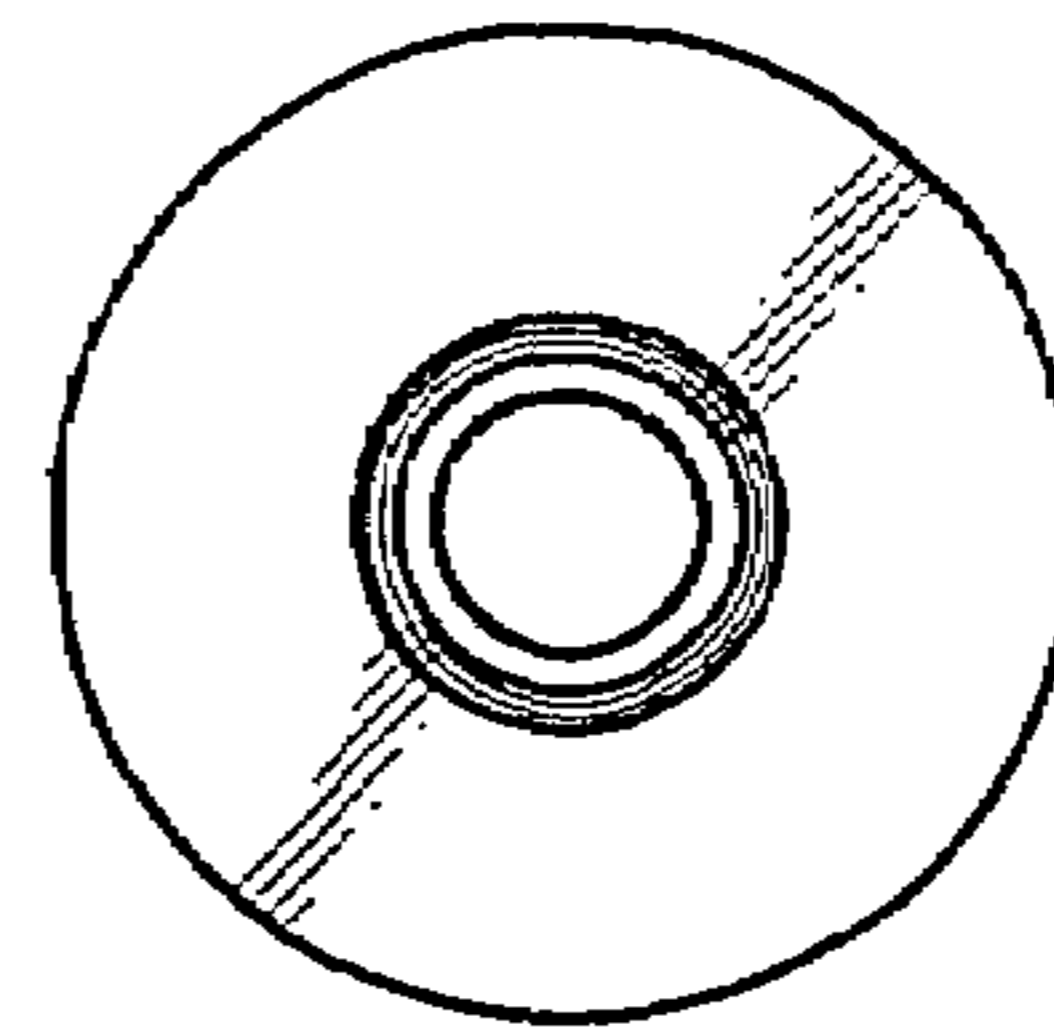


FIG. 7