



US00D610218S

(12) **United States Design Patent**
Barrett

(10) **Patent No.:** **US D610,218 S**

(45) **Date of Patent:** **** Feb. 16, 2010**

(54) **BOLT ACTION RIFLE**

(76) **Inventor:** **Christopher Gene Barrett**, 8634 E.
Gum Rd., Murfreesboro, TN (US) 37127

(**) **Term:** **14 Years**

(21) **Appl. No.:** **29/312,427**

(22) **Filed:** **Oct. 20, 2008**

(51) **LOC (9) Cl.** **22-01**

(52) **U.S. Cl.** **D22/103**

(58) **Field of Classification Search** D22/100,
D22/101, 103, 104, 108, 199; D21/572,
D21/573; 42/51, 71.01, 75.01, 75.02, 90,
42/94, 134, 136, 139, 125, 72, 111; 362/110;
33/241, 277; 313/105 R; 89/40.06, 41.19,
89/37.04, 33.04, 191.01, 200-204; 124/67,
124/66, 74

See application file for complete search history.

(56) **References Cited**

U.S. PATENT DOCUMENTS

5,900,577 A * 5/1999 Robinson et al. 89/191.01

D584,373 S * 1/2009 Young D22/103

* cited by examiner

Primary Examiner—T. Chase Nelson

Assistant Examiner—Michael A Pratt

(74) *Attorney, Agent, or Firm*—Bonnet K. Langlotz; Langlotz
Patent & Trademark Works, Inc.

(57) **CLAIM**

The ornamental design for a bolt action rifle, as shown and
described.

DESCRIPTION

FIG. 1 is a rear perspective view of a bolt action rifle showing
my (our) new design;

FIG. 2 is a left side thereof;

FIG. 3 is a top view thereof;

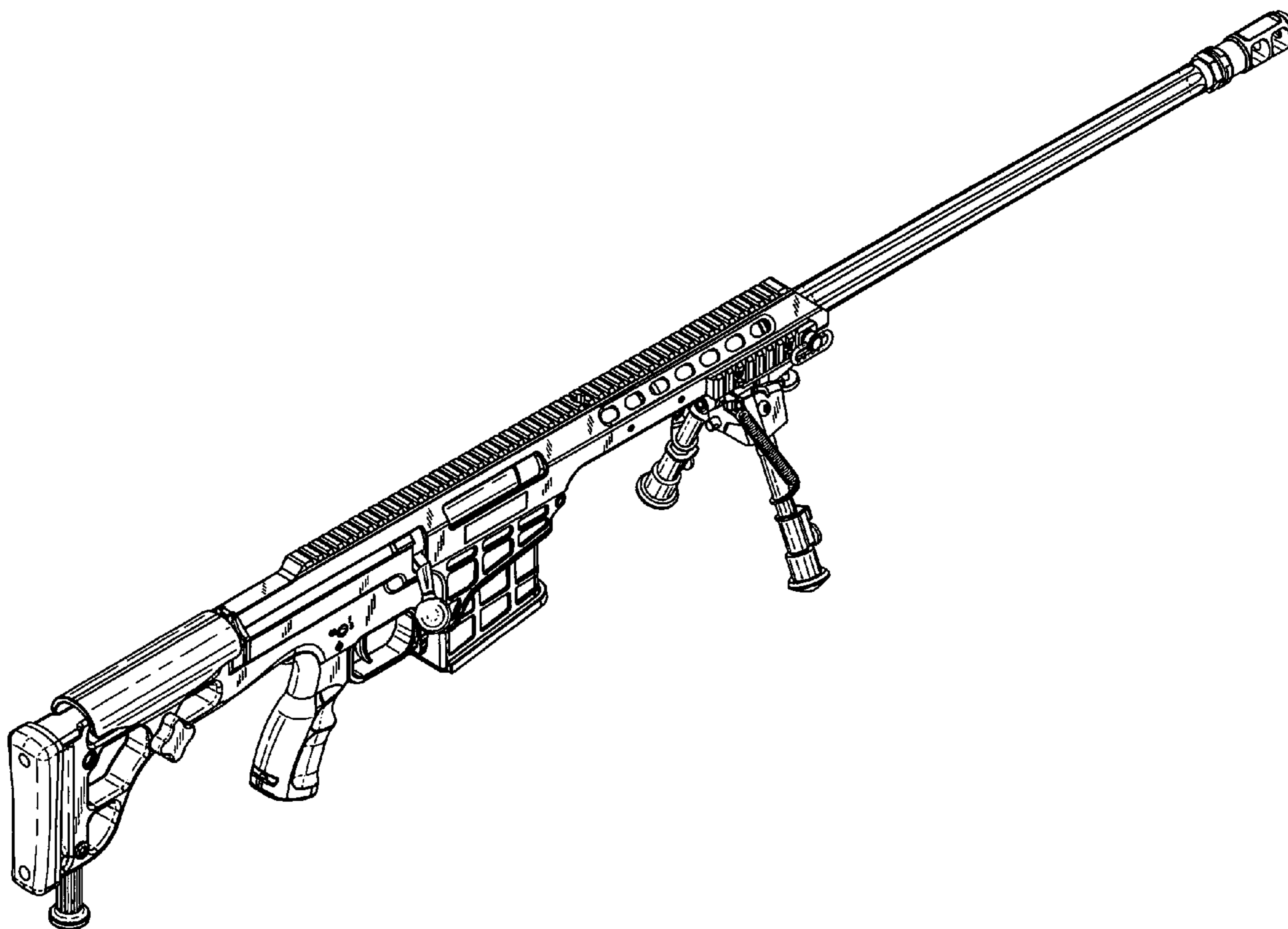
FIG. 4 is a right side view thereof;

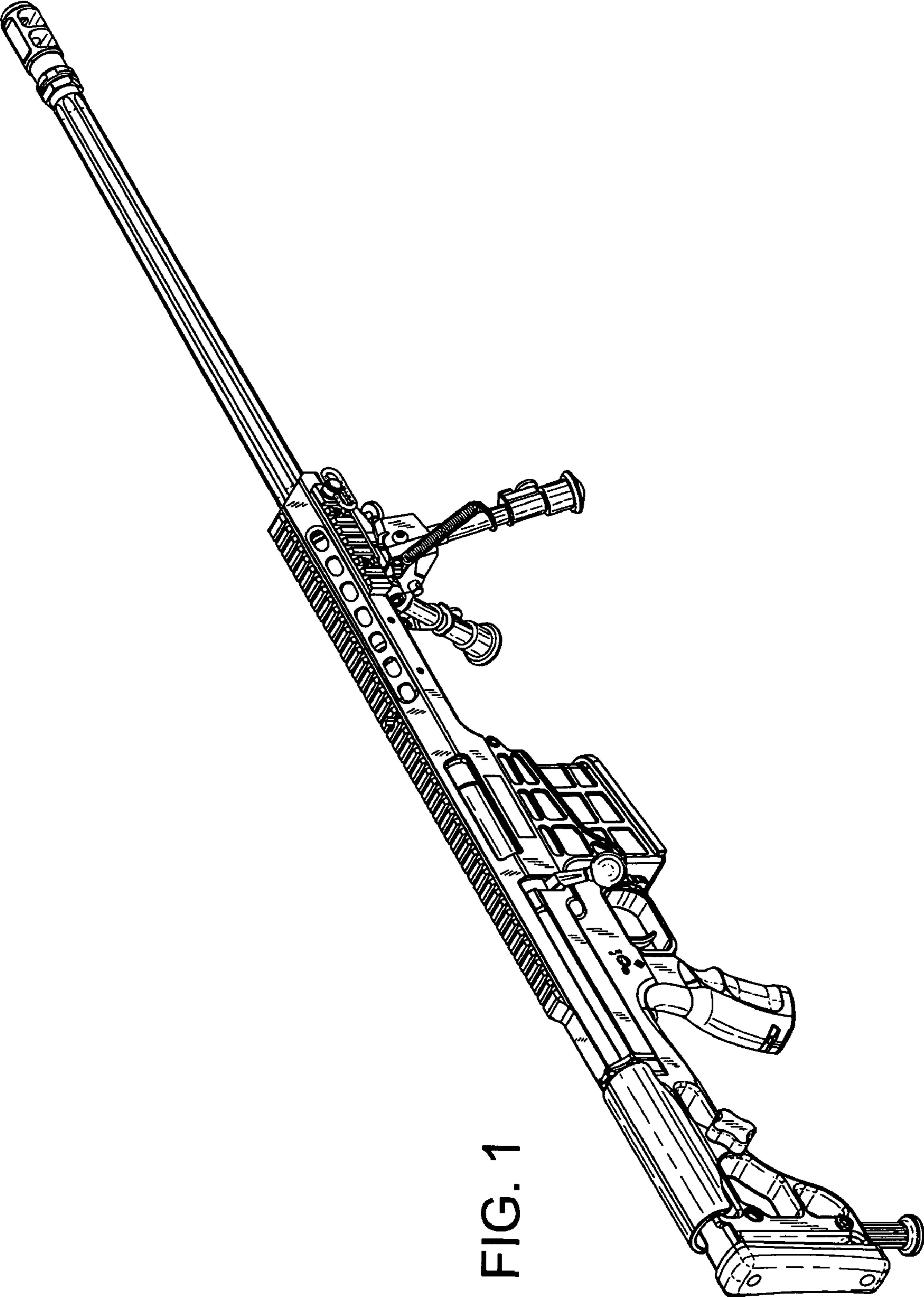
FIG. 5 is a bottom view thereof;

FIG. 6 is a rear view thereof; and,

FIG. 7 is a front view thereof.

1 Claim, 3 Drawing Sheets





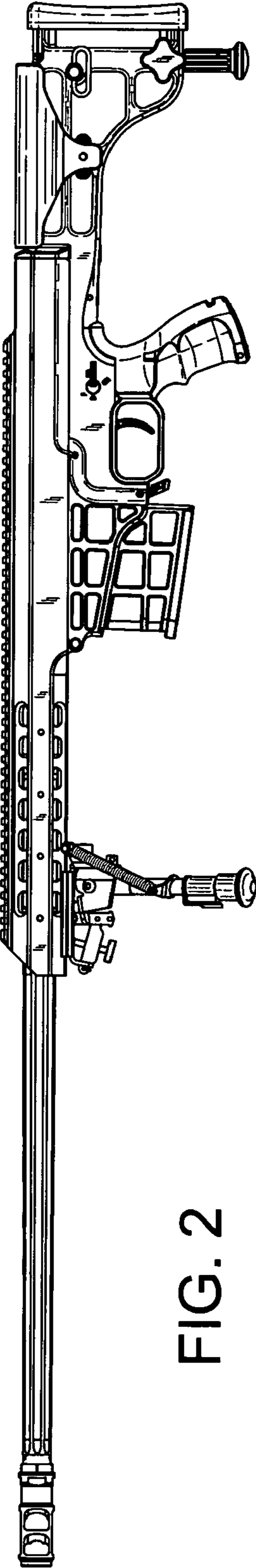


FIG. 2

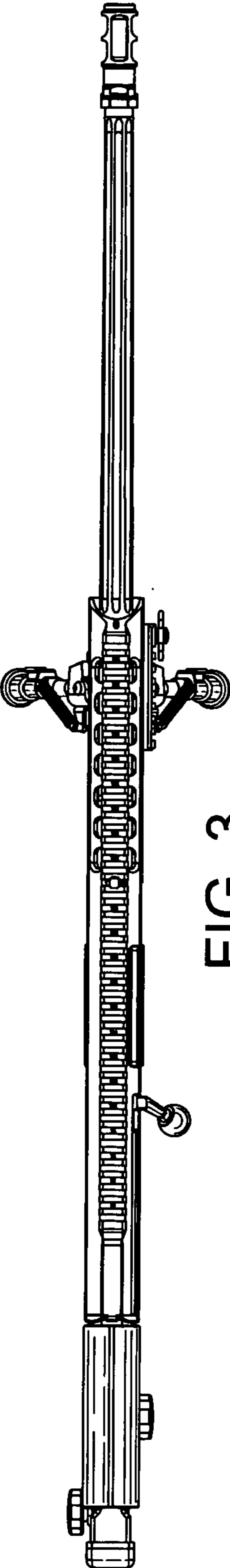


FIG. 3

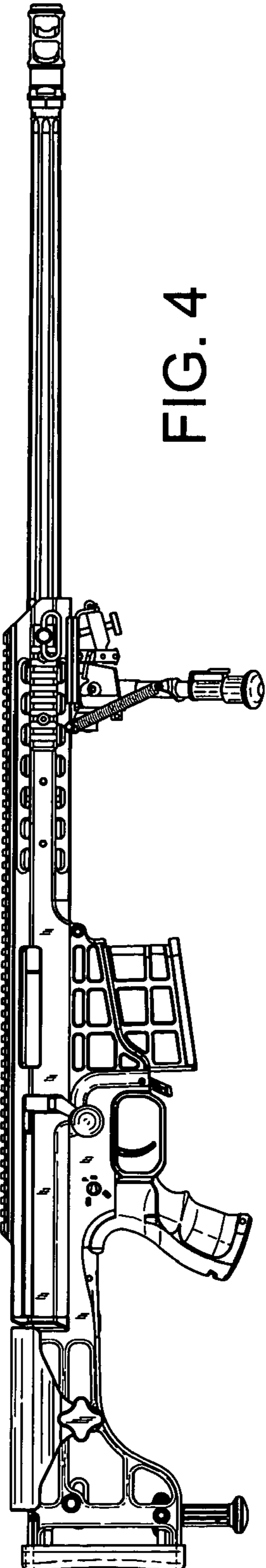


FIG. 4

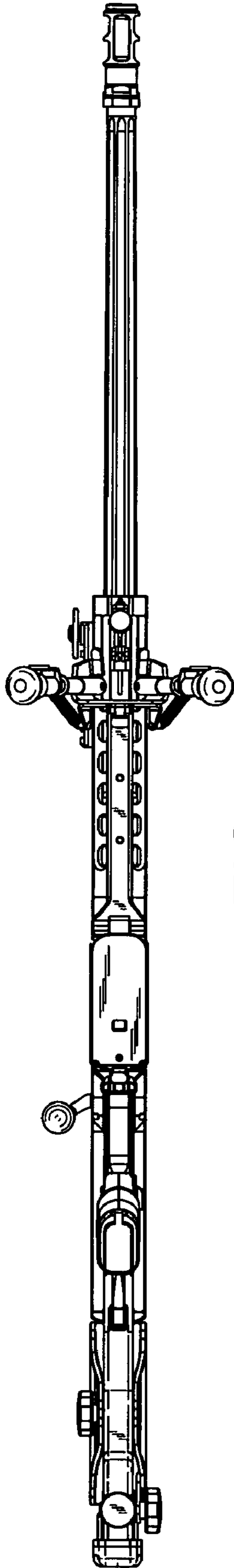


FIG. 5

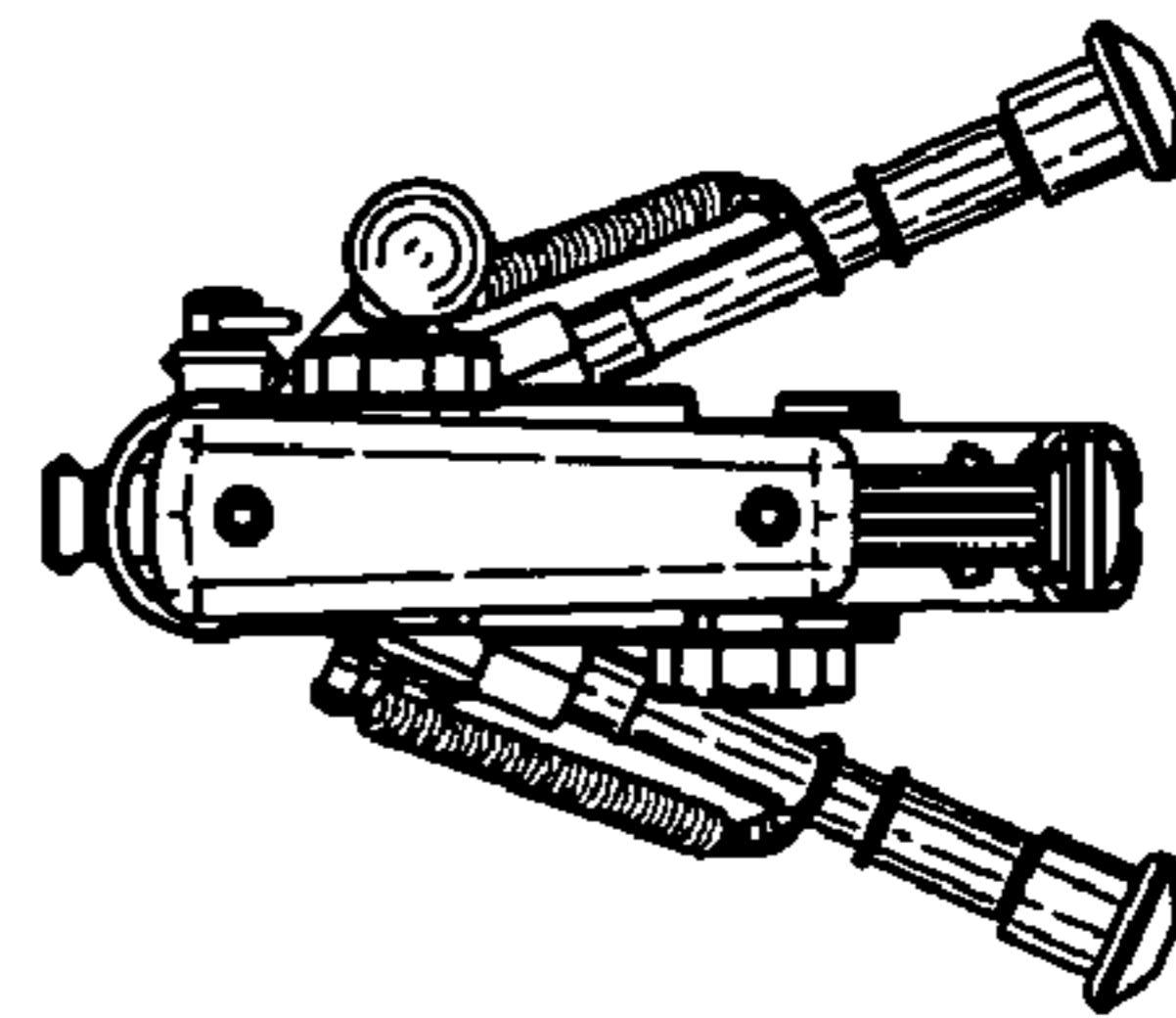


FIG. 6

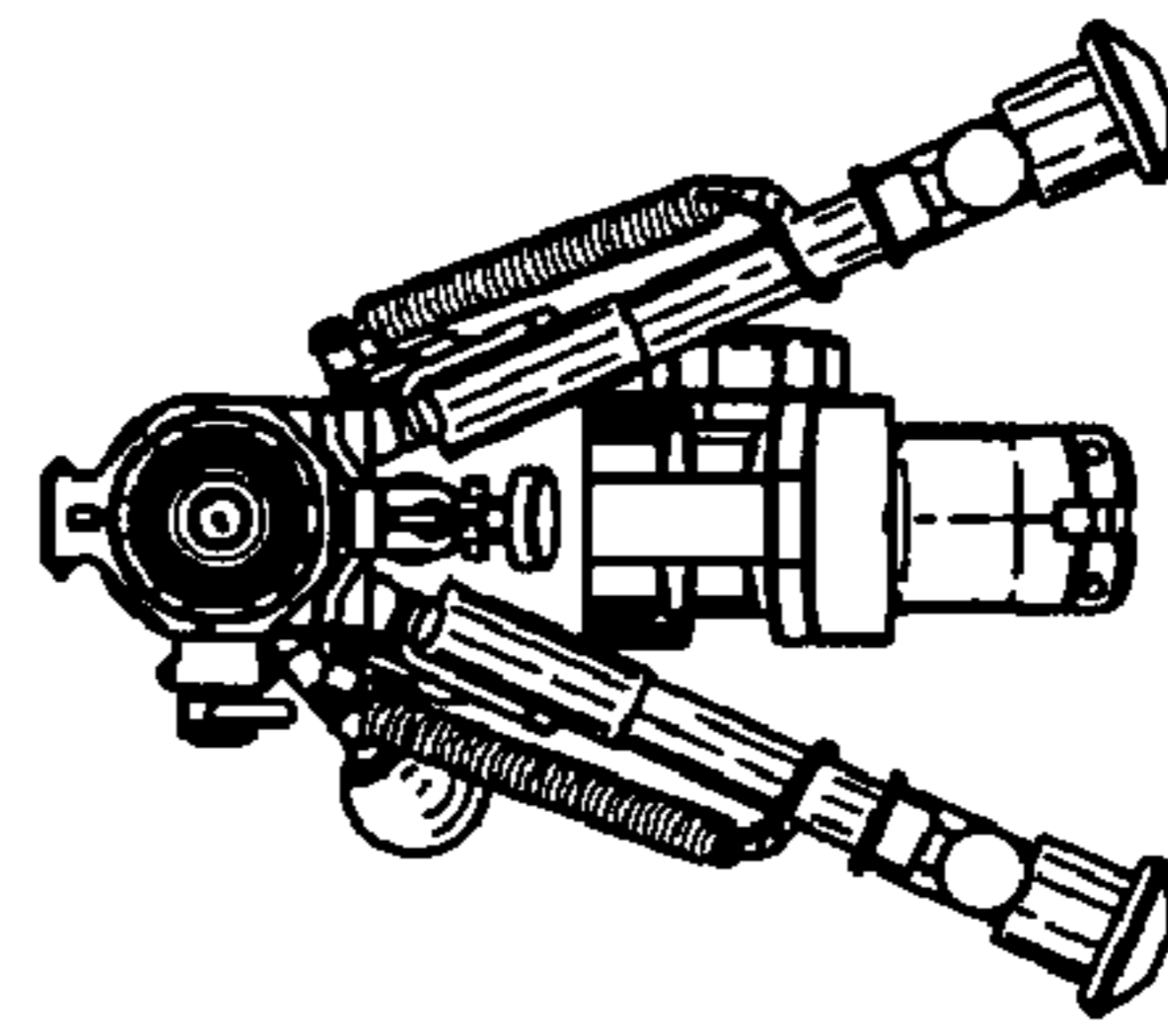


FIG. 7