



US00D610215S

(12) **United States Design Patent**
Wechsler

(10) **Patent No.:** **US D610,215 S**

(45) **Date of Patent:** **** Feb. 16, 2010**

(54) **BALL**

(76) Inventor: **Lawrence I. Wechsler**, One Wooleys
La., Great Neck, NY (US) 11023

(**) Term: **14 Years**

(21) Appl. No.: **29/315,366**

(22) Filed: **Jun. 18, 2009**

(51) **LOC (9) Cl.** **21-02**

(52) **U.S. Cl.** **D21/707**

(58) **Field of Classification Search** D21/398,
D21/406, 408, 407-714; D30/160; D11/121,
D11/124, 125; 446/34, 48, 219, 267, 419,
446/421; 473/569-577, 593-614; 119/707-711;
428/11

See application file for complete search history.

(56) **References Cited**

U.S. PATENT DOCUMENTS

2,521,703 A *	9/1950	Emmitt	473/596
D219,284 S *	11/1970	Hunt	D21/707
D298,957 S *	12/1988	Van, Jr.	D21/424
D308,994 S *	7/1990	Norman et al.	D21/713
D312,102 S *	11/1990	Klitsner	D21/408

5,207,420 A *	5/1993	Crawford et al.	119/707
5,480,143 A *	1/1996	McMurry	473/571
D468,378 S *	1/2003	Routzong	D21/707
D469,484 S *	1/2003	Dawson	D21/662
D470,432 S *	2/2003	Rabinowitz	D11/125
D497,396 S *	10/2004	Wechsler	D21/398
D498,274 S *	11/2004	Wechsler	D21/707
D530,755 S *	10/2006	Wechsler	D21/398
D549,889 S *	8/2007	Winkler et al.	D30/160
2006/0057932 A1 *	3/2006	Gick	446/269

* cited by examiner

Primary Examiner—Catherine Tuttle

(57) **CLAIM**

The ornamental design for a ball, as shown and described.

DESCRIPTION

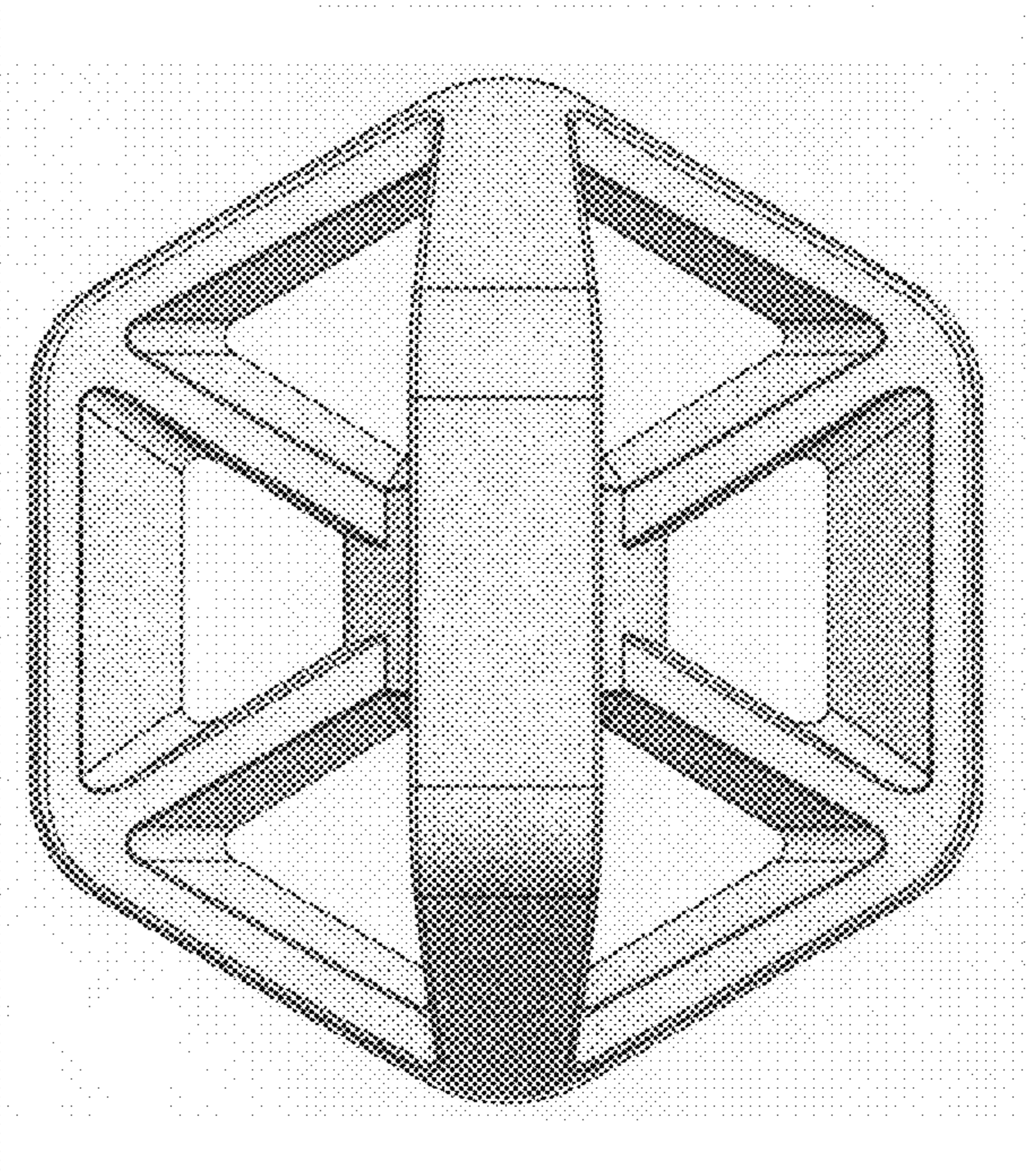
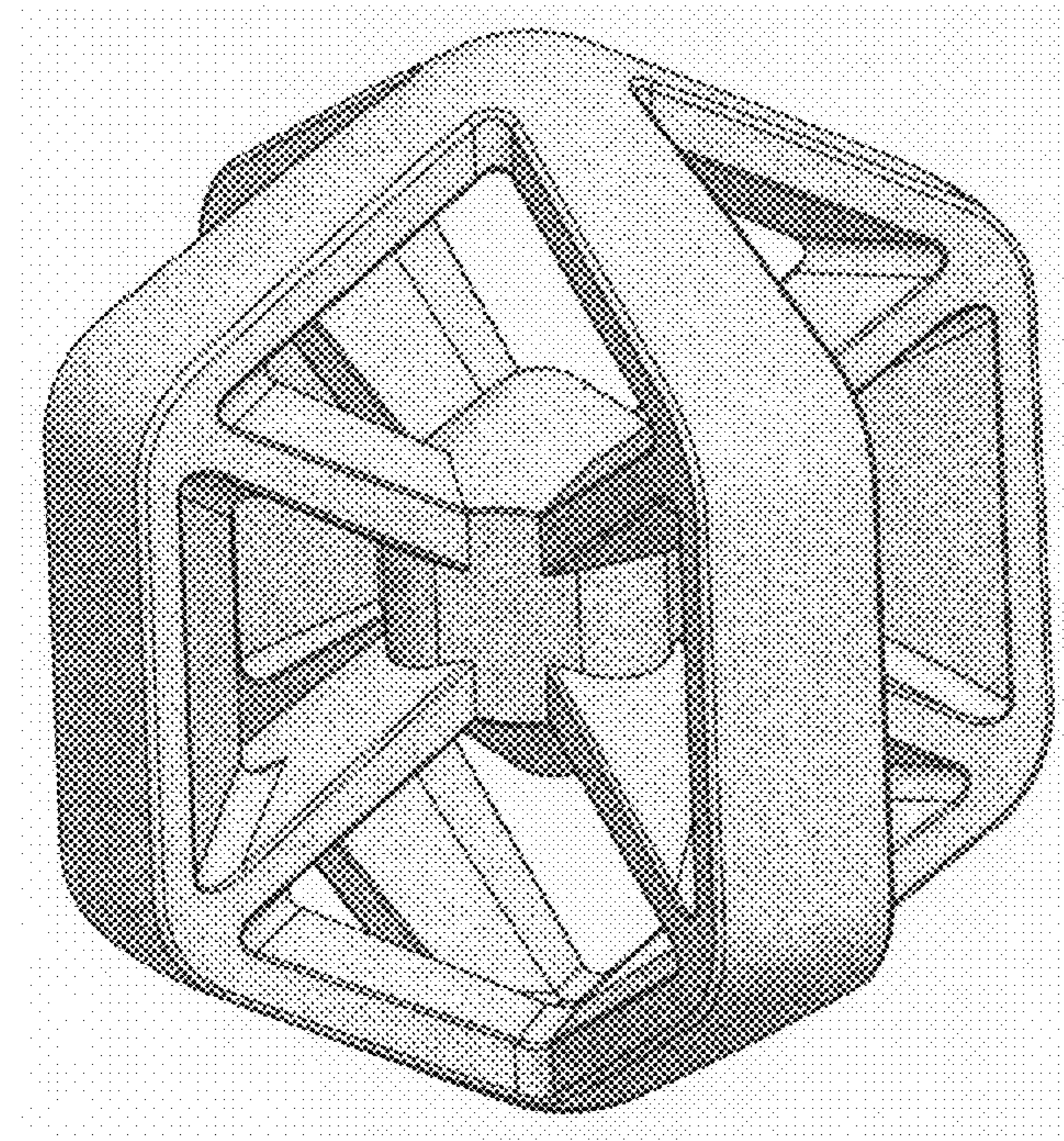
FIG. 1 is a perspective view showing my new design;

FIG. 2 is an end view thereof;

FIG. 3 is a side elevational view thereof; and,

FIG. 4 is a side elevational view rotated 45° from the view of FIG. 3.

1 Claim, 2 Drawing Sheets



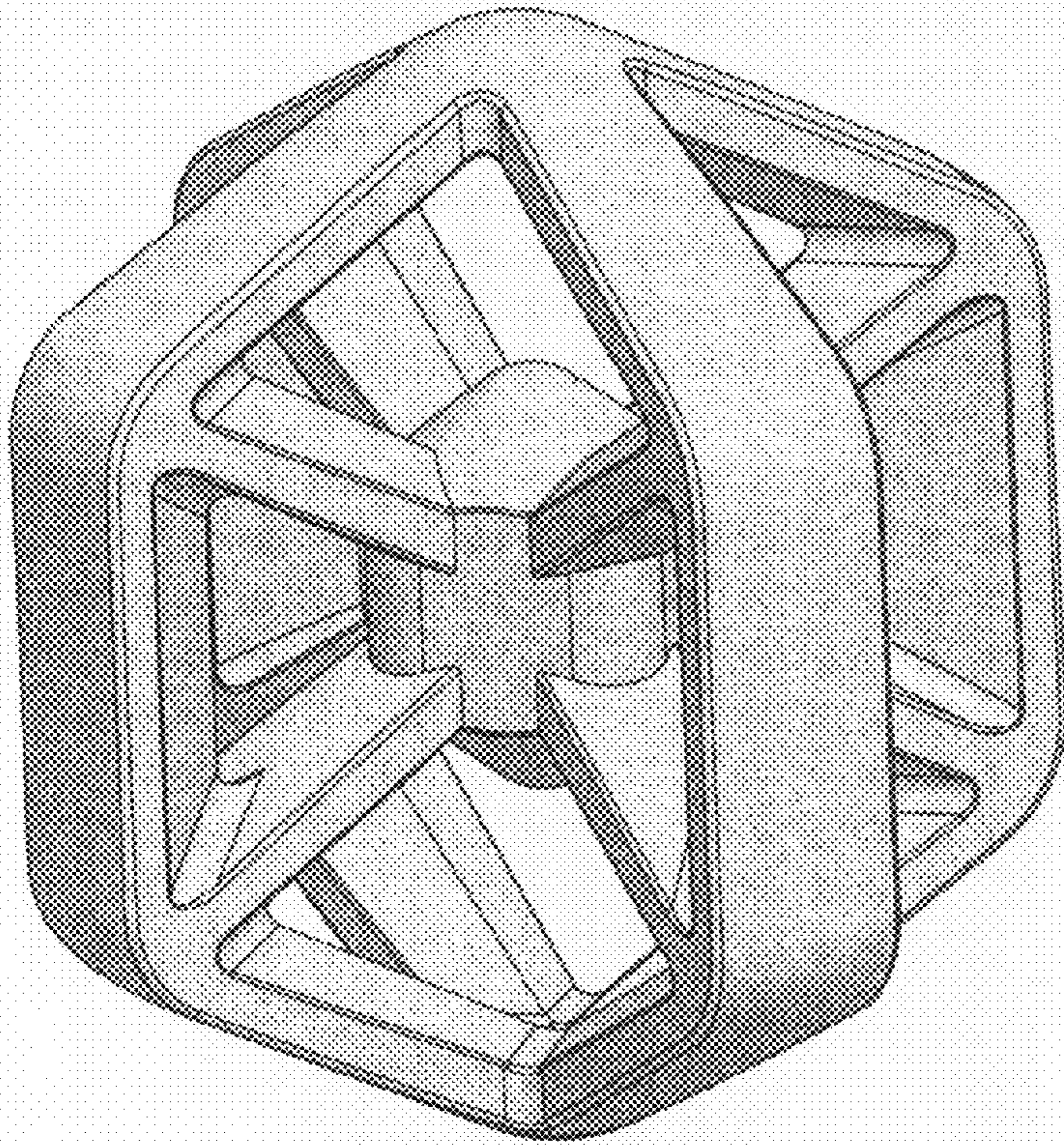


FIG. 1

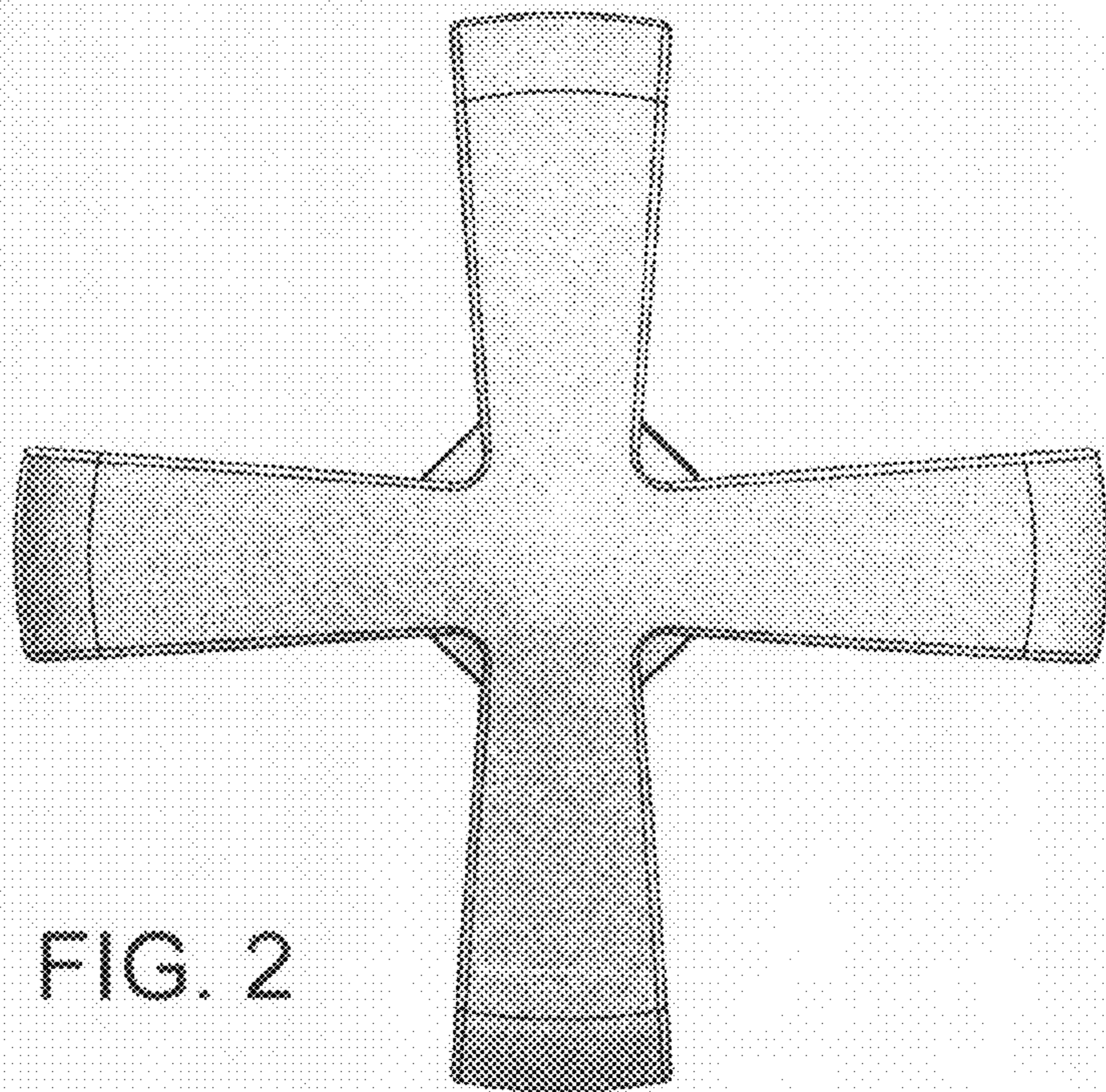


FIG. 2

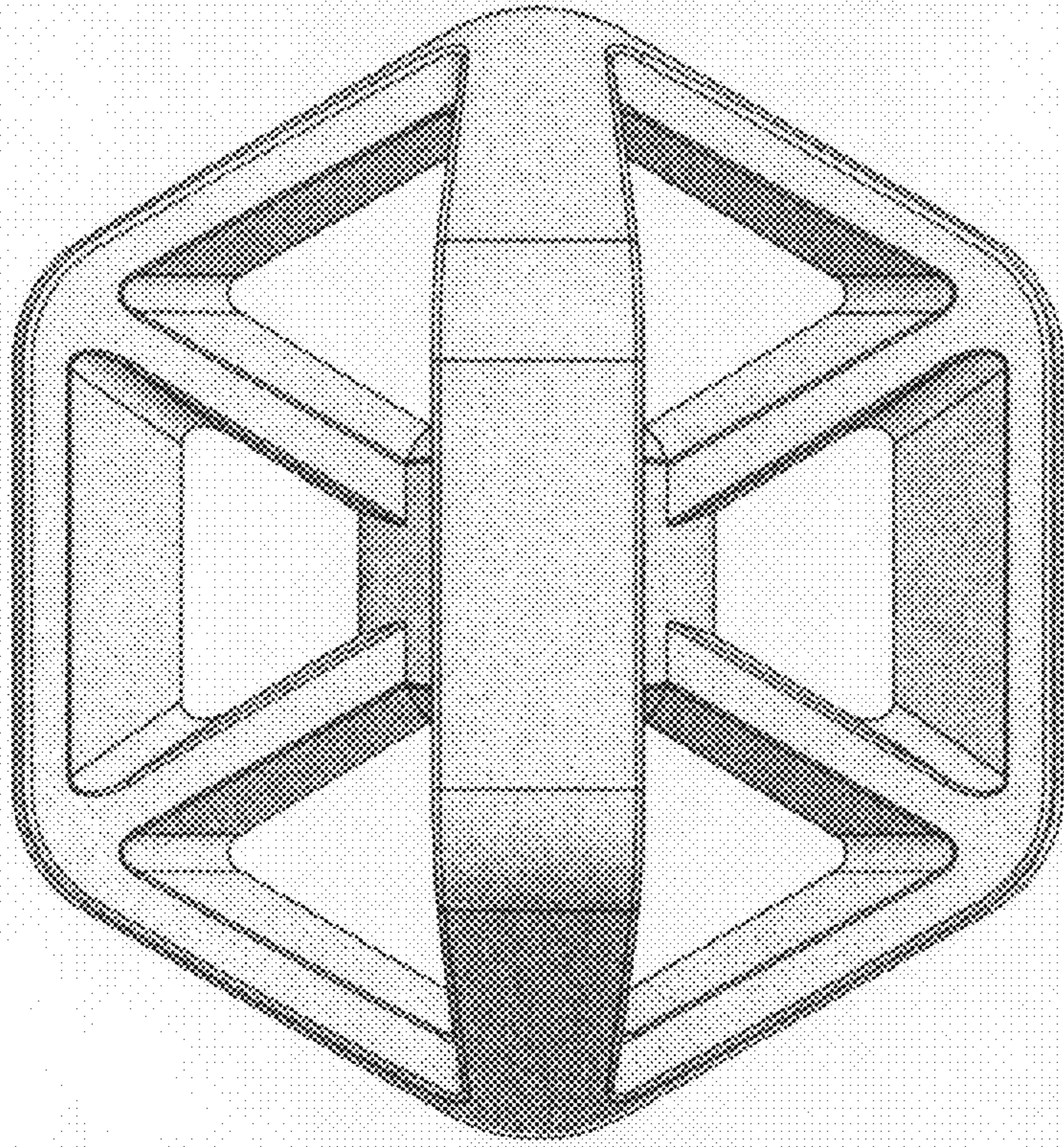


FIG. 3

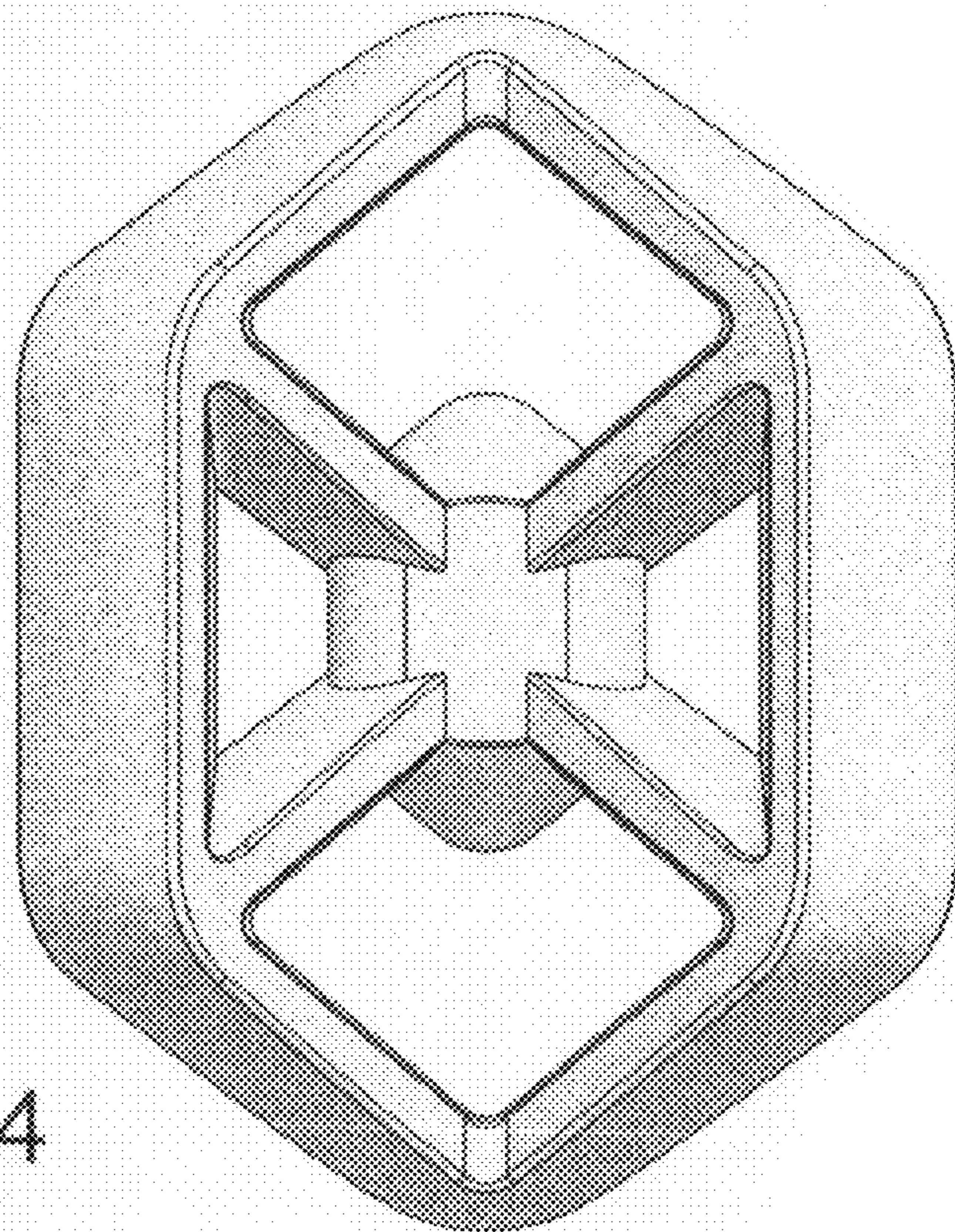


FIG. 4