



US00D610214S

(12) **United States Design Patent**
Likins

(10) **Patent No.:** **US D610,214 S**

(45) **Date of Patent:** **** Feb. 16, 2010**

(54) **BASKETBALL HOOP**

(76) Inventor: **Clinton R Likins**, 375 Vista View Pl.,
Hot Springs, AR (US) 71901

(**) Term: **14 Years**

(21) Appl. No.: **29/339,242**

(22) Filed: **Jun. 26, 2009**

(51) **LOC (9) Cl.** **21-02**

(52) **U.S. Cl.** **D21/703**

(58) **Field of Classification Search** D21/302,
D21/303, 305, 699-705, 781; 473/433, 447,
473/448, 449, 472, 476-489; 273/317.3,
273/348, 354, 382, 389, 398, 400-410
See application file for complete search history.

(56) **References Cited**

U.S. PATENT DOCUMENTS

D238,284 S *	12/1975	Toedter	D21/703
4,353,548 A *	10/1982	Mahoney	473/486
4,799,679 A *	1/1989	Obram	473/486
5,305,997 A *	4/1994	Jolly	473/486
5,318,289 A *	6/1994	Mahoney et al.	473/486
5,464,207 A *	11/1995	Boitano	473/486
6,821,217 B2 *	11/2004	Squibb	473/481
7,320,652 B2 *	1/2008	Kilpatrick	473/483
7,462,117 B2 *	12/2008	White et al.	473/481
7,530,909 B2 *	5/2009	Thomas et al.	473/433
2007/0167265 A1 *	7/2007	Connerley	473/485
2007/0213148 A1 *	9/2007	Nye	473/485

FOREIGN PATENT DOCUMENTS

KR 2001026043 A * 4/2001

* cited by examiner

Primary Examiner—Catherine Tuttle

(74) *Attorney, Agent, or Firm*—Joe D. Calhoun; Rashauna A. Norment

(57) **CLAIM**

The ornamental design for a basketball hoop, as shown and described.

DESCRIPTION

FIG. 1 is a perspective view of the basketball hoop, with the unclaimed backboard in phantom;

FIG. 2 is a close-up view of the portion of FIG. 1 within circle 2;

FIG. 3 is a top plan view showing the basketball hoop without the environment depicted in FIGS. 1 and 2, the net portion of the design being omitted in this and subsequent views for ease of illustration;

FIG. 4 is the bottom plan view of FIG. 3;

FIG. 5 is an enlarged scale left side elevational view thereof;

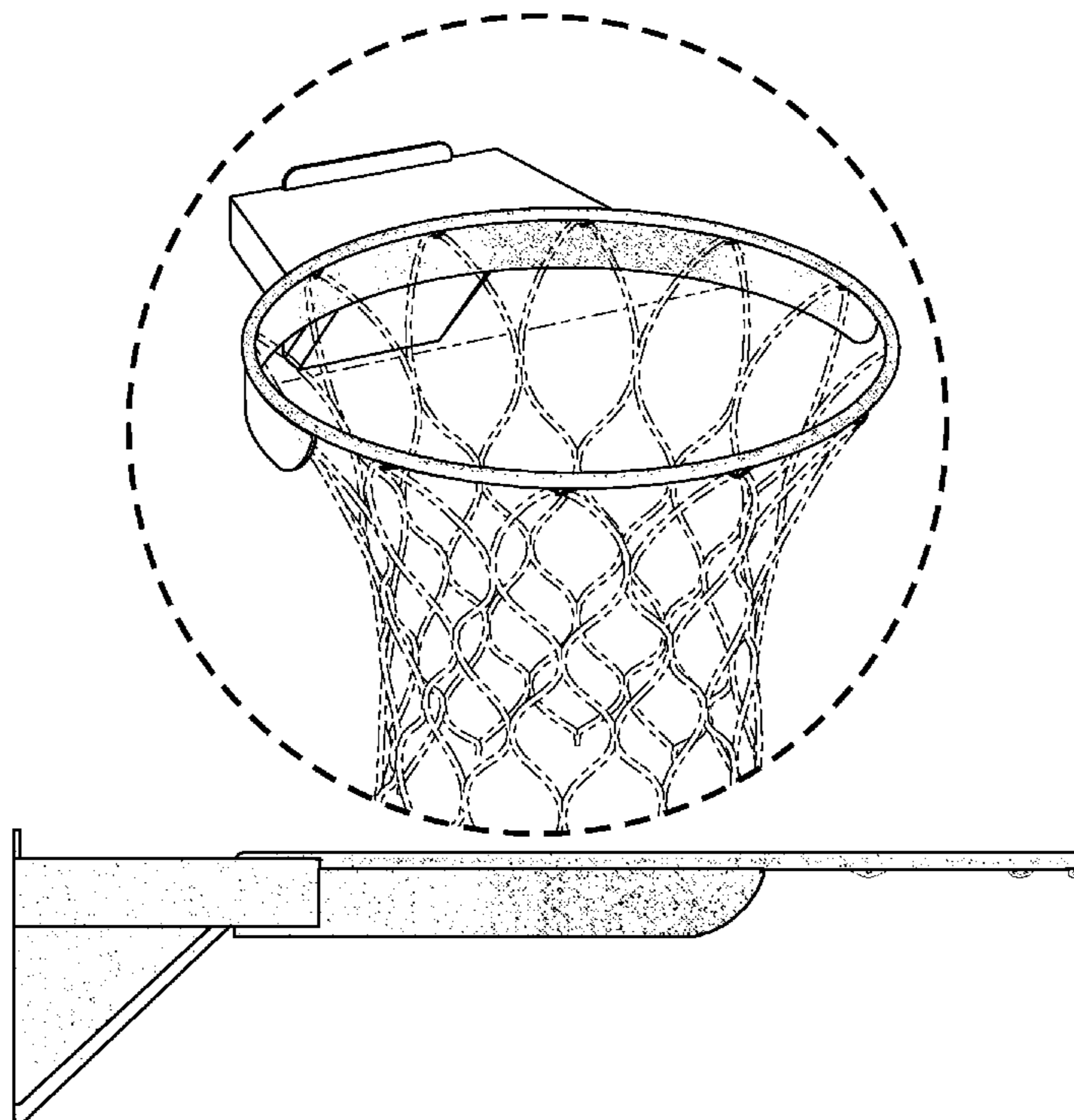
FIG. 6 is the right side elevational view of FIG. 5;

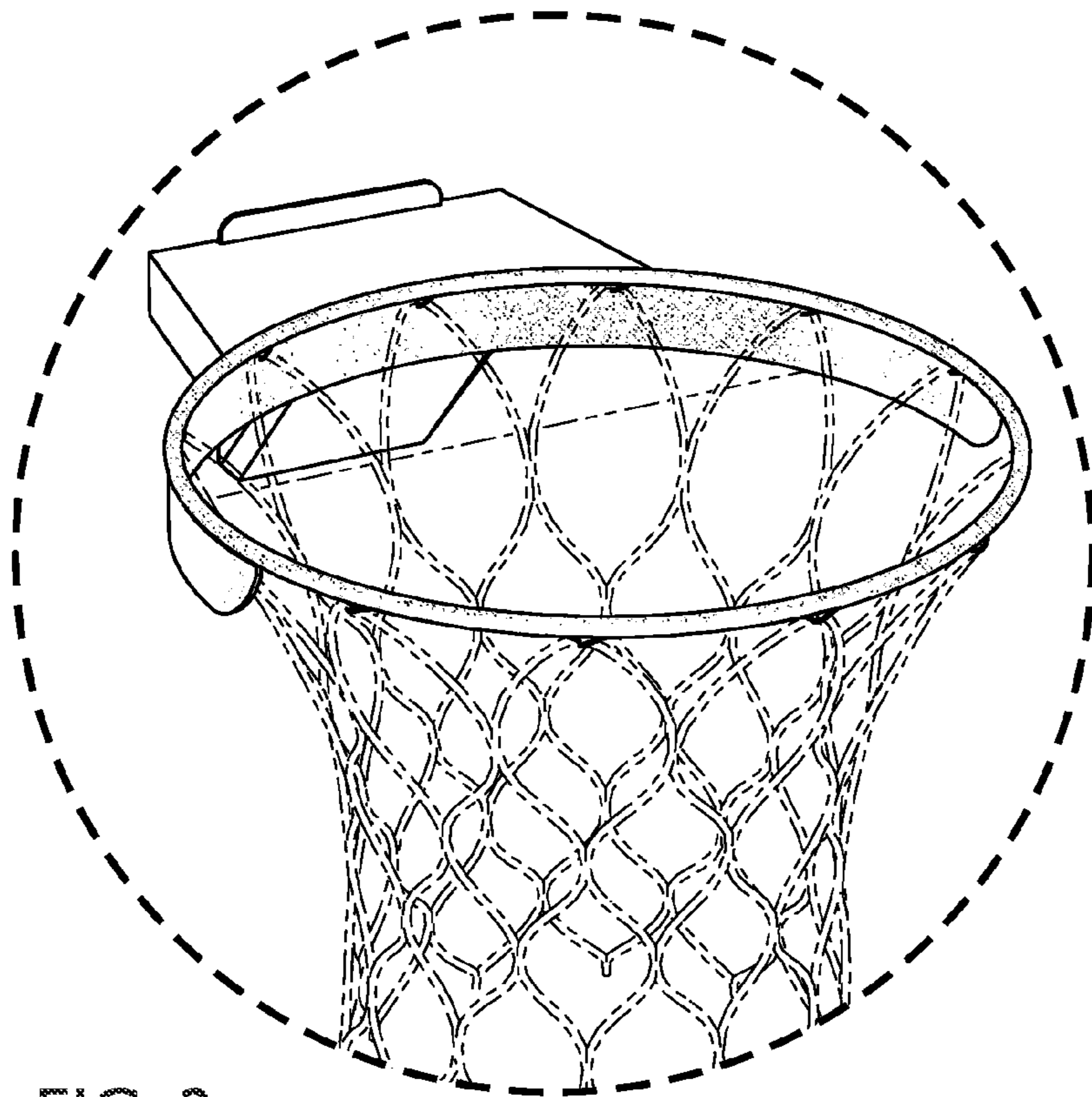
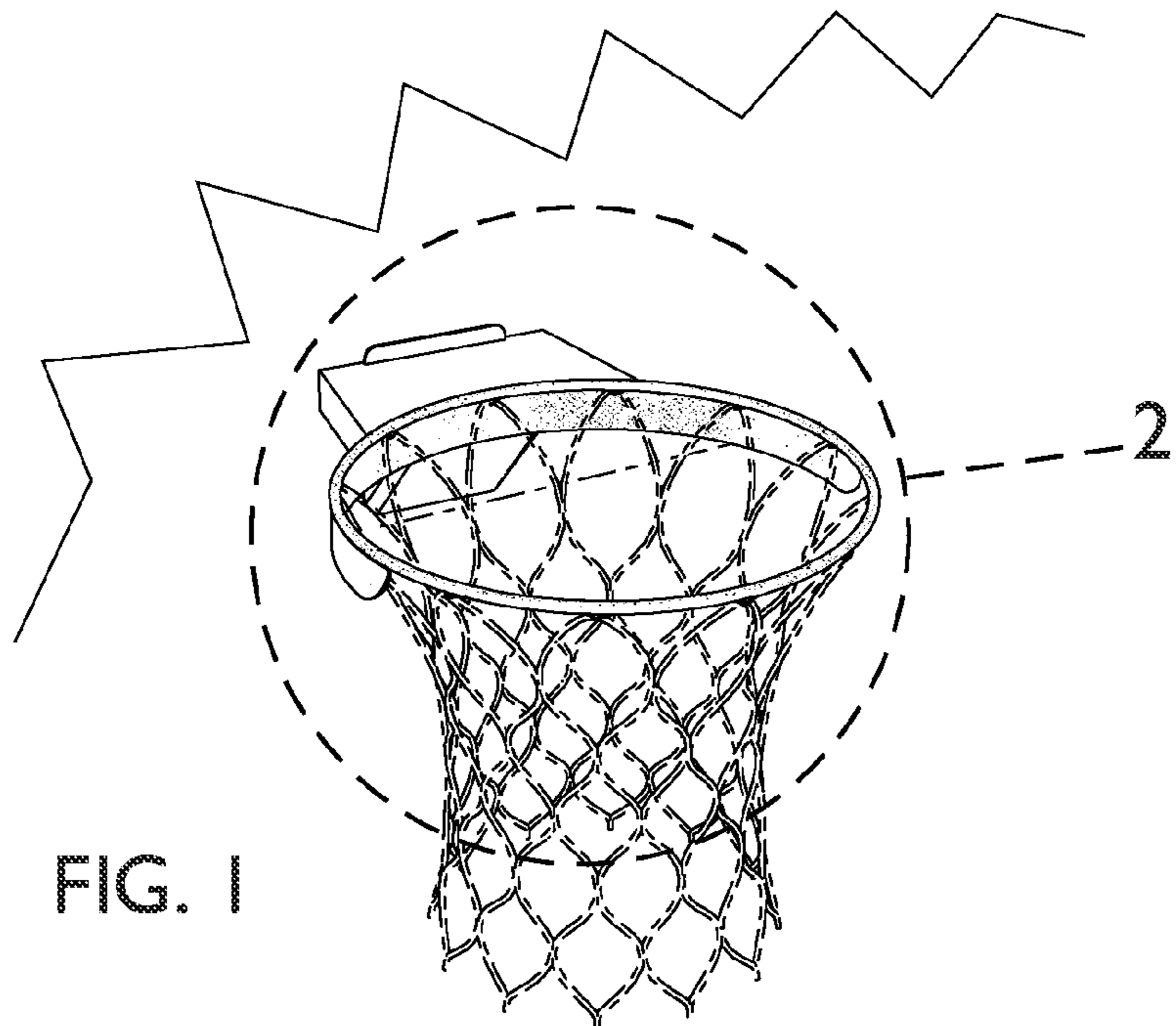
FIG. 7 is a further enlarged front elevational view thereof; and,

FIG. 8 is the rear elevational view of FIG. 7.

The circles, lead line and backboard shown in broken lines in FIGS. 1 and 2 form no part of the claim; and are included merely to indicate the enlarged area shown in FIG. 2 or to illustrate the environment of the design.

1 Claim, 4 Drawing Sheets





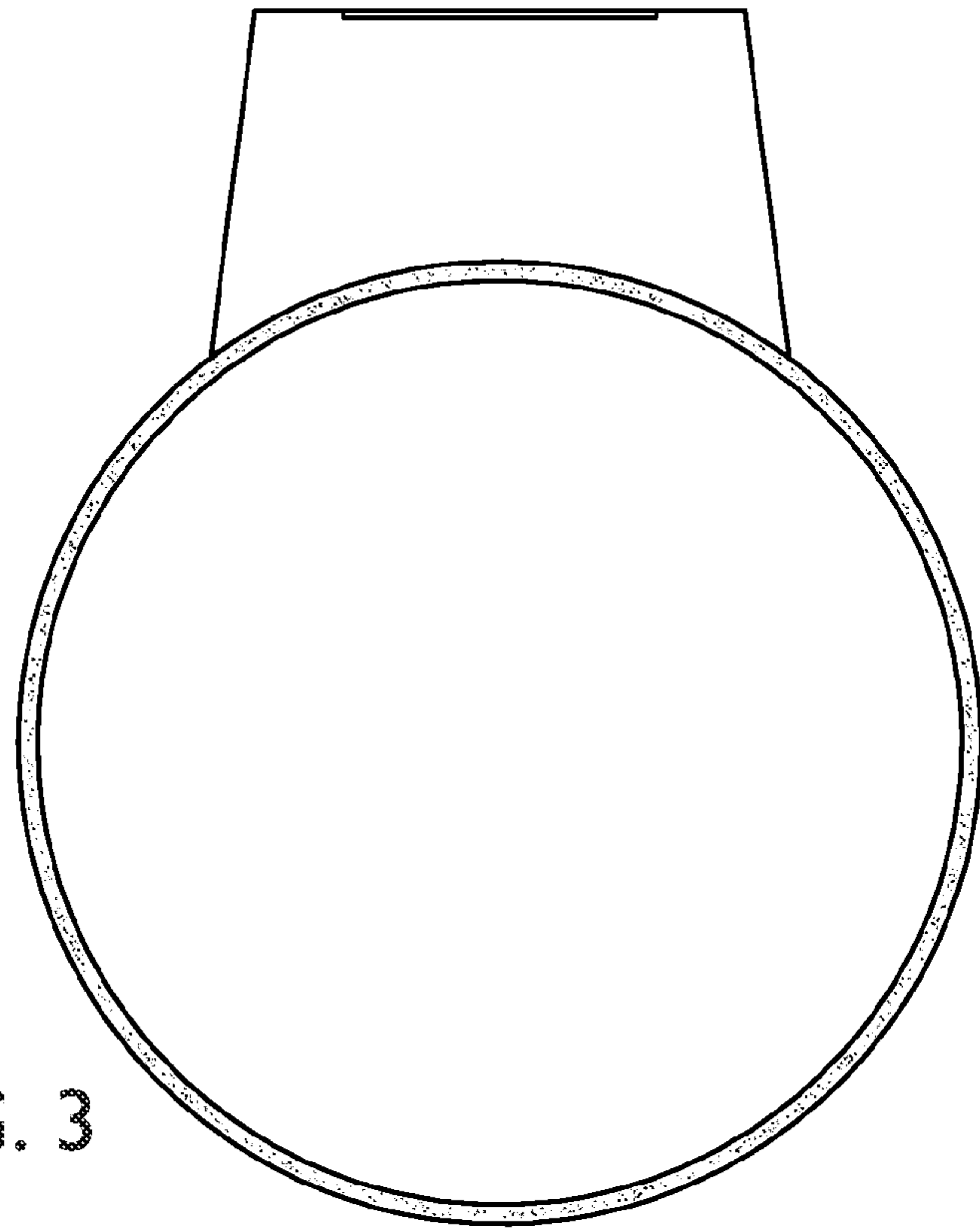


FIG. 3

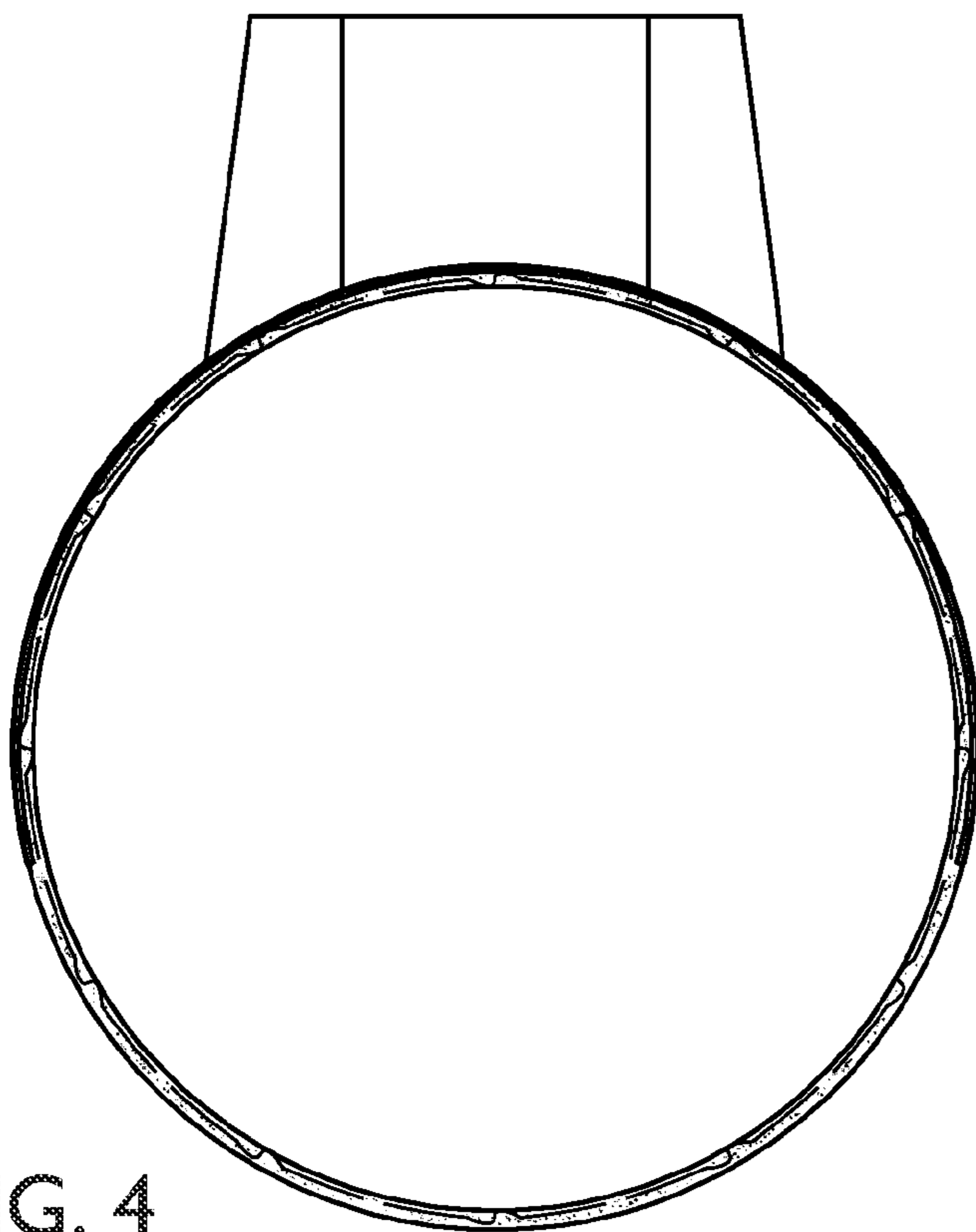


FIG. 4

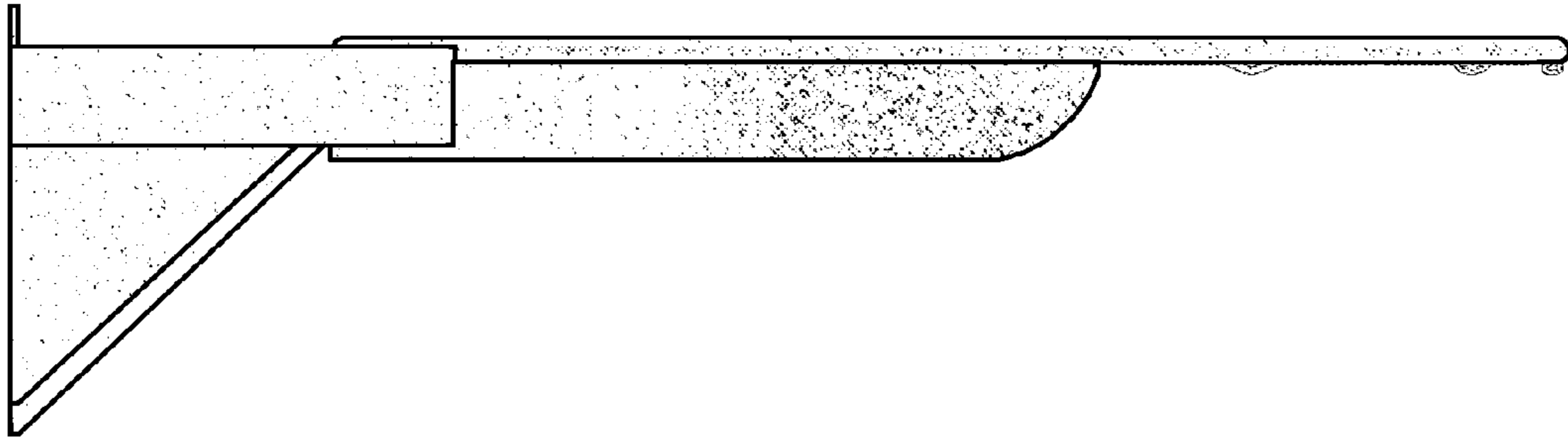


FIG. 5

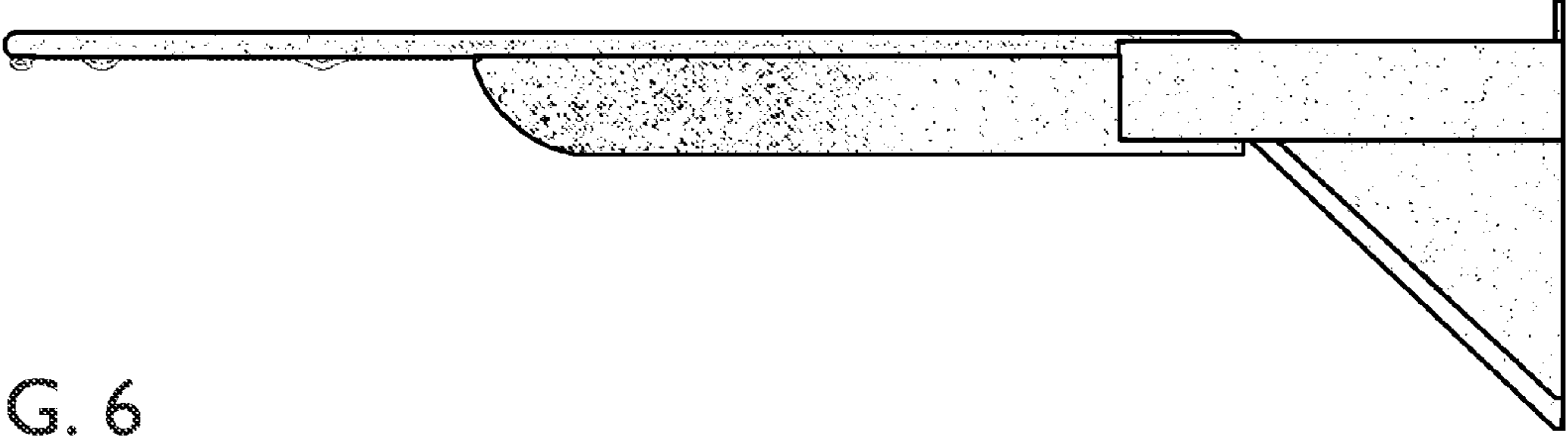


FIG. 6

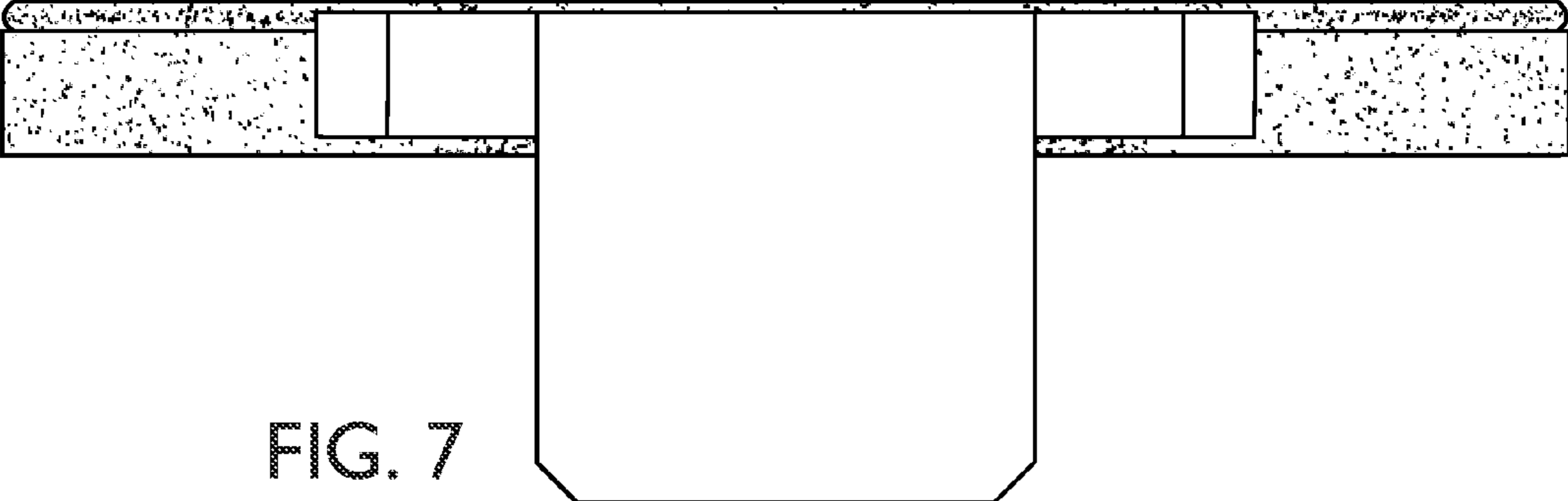


FIG. 7

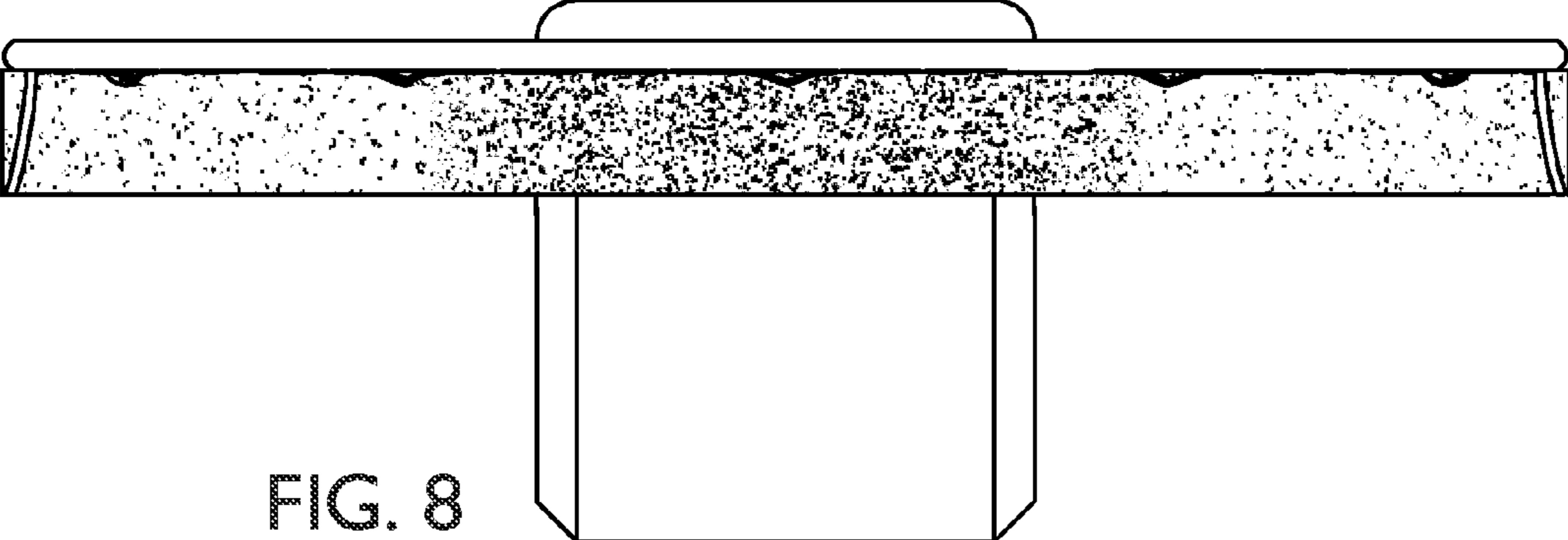


FIG. 8