



US00D610211S

(12) **United States Design Patent**
Nishimoto

(10) **Patent No.:** **US D610,211 S**
(45) **Date of Patent:** **** Feb. 16, 2010**

(54) **TOY TOP SPINNER**

FOREIGN PATENT DOCUMENTS

(75) Inventor: **Hisao Nishimoto**, Tokyo (JP)

JP 2003-320174 11/2003

(73) Assignee: **Tomy Company, Ltd.**, Tokyo (JP)

(Continued)

(**) Term: **14 Years**

OTHER PUBLICATIONS

(21) Appl. No.: **29/309,767**

U.S. Copyright Registration No. VA1-172-936 dated Oct. 22, 2002 with deposit copy.

(22) Filed: **Oct. 6, 2008**

(Continued)

(30) **Foreign Application Priority Data**

Primary Examiner—Catherine Tuttle

Apr. 8, 2008 (JP) 2008-008992

(74) *Attorney, Agent, or Firm*—Staas & Halsey LLP

(51) **LOC (9) Cl.** **21-01**

(57) **CLAIM**

(52) **U.S. Cl.** **D21/461**

The ornamental design for a toy top spinner, as shown and described.

(58) **Field of Classification Search** D21/385,
D21/398, 436–438, 441–444, 447, 453–464;
446/34–45, 48, 217, 218, 236–266, 421,
446/429, 430, 486, 489

DESCRIPTION

See application file for complete search history.

FIG. 1 is an inverted front view of the toy top spinner showing my design;

(56) **References Cited**

FIG. 2 is an inverted rear view thereof;

U.S. PATENT DOCUMENTS

FIG. 3 is a right side view thereof;

615,930	A	12/1898	Warren	
1,207,200	A *	12/1916	Novak	446/263
1,208,431	A	12/1916	Wilcox	
1,366,535	A *	1/1921	Harrington	446/263
1,771,489	A *	7/1930	Dochnal	446/263
2,561,601	A *	7/1951	Szonnell	446/263
D199,536	S *	11/1964	Salayka	D21/461
D214,154	S	5/1969	Hormann	
3,701,216	A	10/1972	Smith, III et al.	
D289,907	S *	5/1987	Redding	D21/461
D353,633	S *	12/1994	Nonaka et al.	D21/461
5,518,437	A *	5/1996	Nonaka et al.	446/259
5,593,338	A *	1/1997	Itoh et al.	446/259
6,739,939	B2 *	5/2004	Matsukawa	446/256
6,743,070	B1 *	6/2004	Lin	446/256
6,905,389	B2	6/2005	Matsukawa	

FIG. 4 is a left side view thereof;

FIG. 5 is a top view thereof;

FIG. 6 is a bottom view thereof;

FIG. 7 is a top and front perspective view thereof;

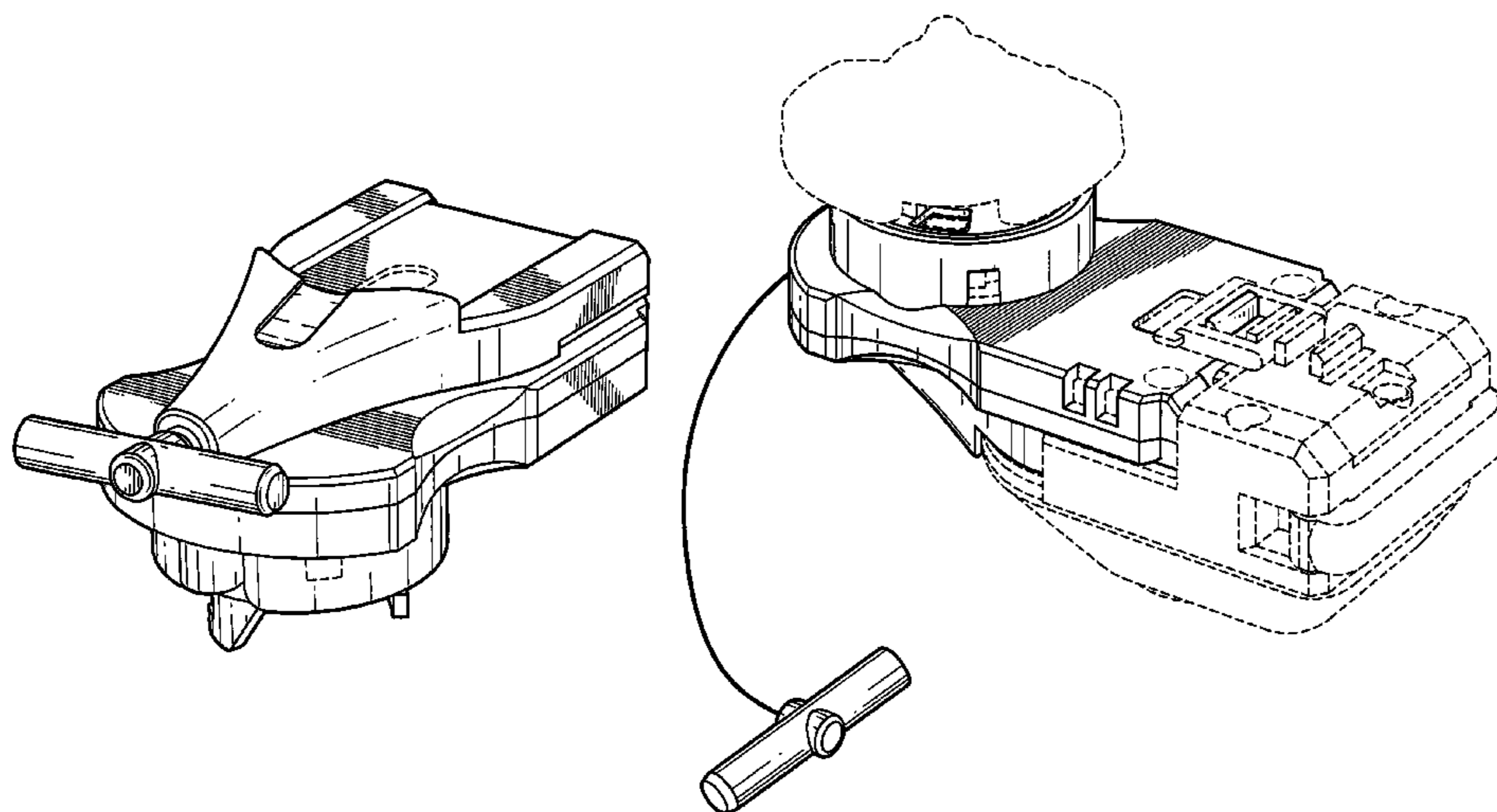
FIG. 8 is a top and rear perspective view thereof; and,

FIG. 9 is a bottom and rear perspective view showing the design as it appears with its cord extended and with an associated top and toy scoring device attached thereto.

The broken lines showing the top and scoring device are included for the purpose of illustrating environmental structure that forms no part of the claimed design. The remaining broken lines are included for the purpose of illustrating portions of the toy top spinner that form no part of the claimed design.

(Continued)

1 Claim, 5 Drawing Sheets



US D610,211 S

Page 2

U.S. PATENT DOCUMENTS

7,063,589 B2 6/2006 Matsukawa et al.
7,427,225 B2 9/2008 Matsukawa et al.

FOREIGN PATENT DOCUMENTS

JP 2005-328976 12/2005

OTHER PUBLICATIONS

Specimen filed in U.S. Trademark Registration No. 2,709,995 on Nov. 12, 2002.

Apr. 16, 2009 Office Action in co-pending U.S. Appl. No. 29/309,765.

Notice of Allowance issued Oct. 2, 2009 in related U.S. Appl. No. 29/309,765.

* cited by examiner

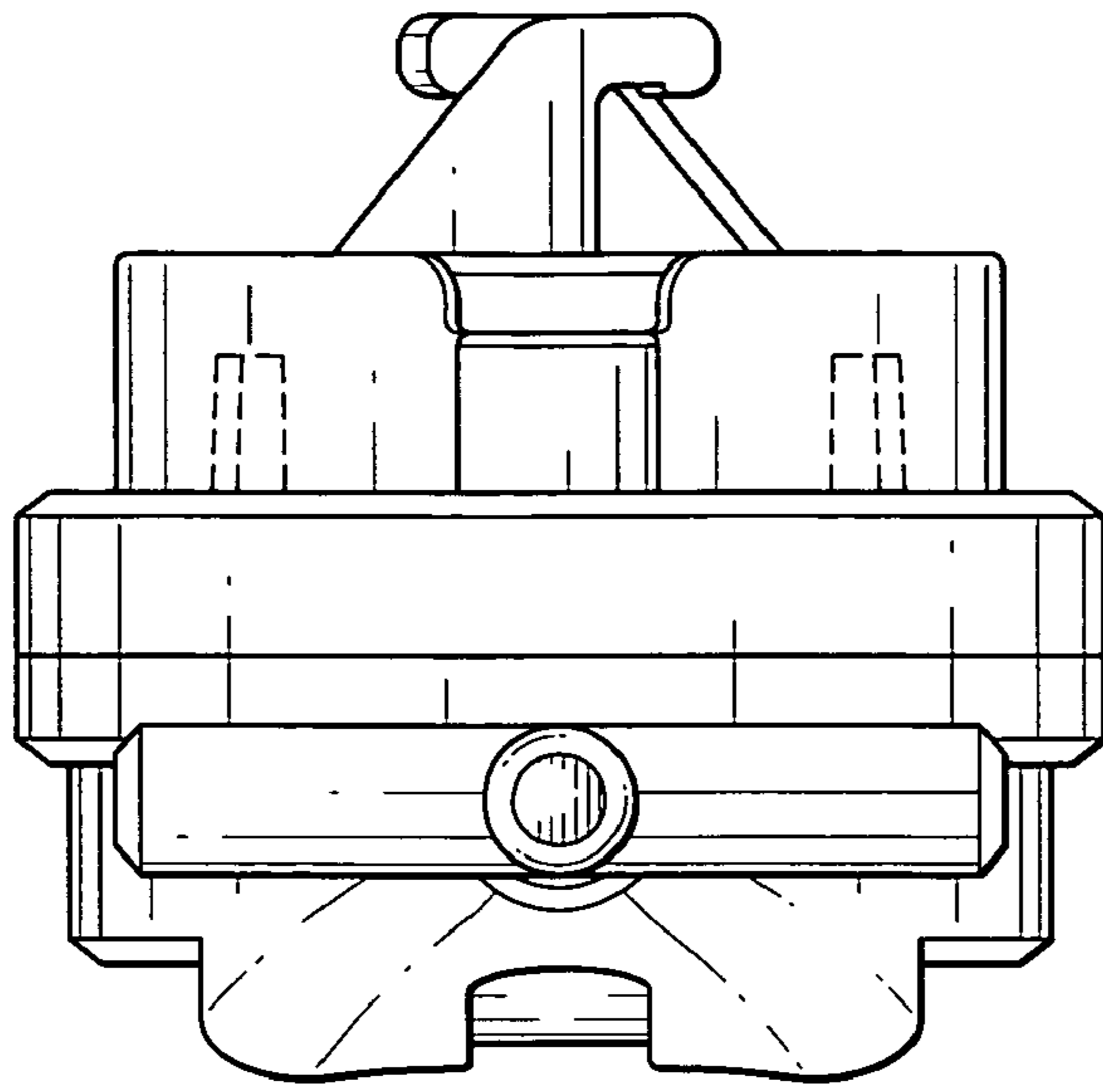


FIG. 1

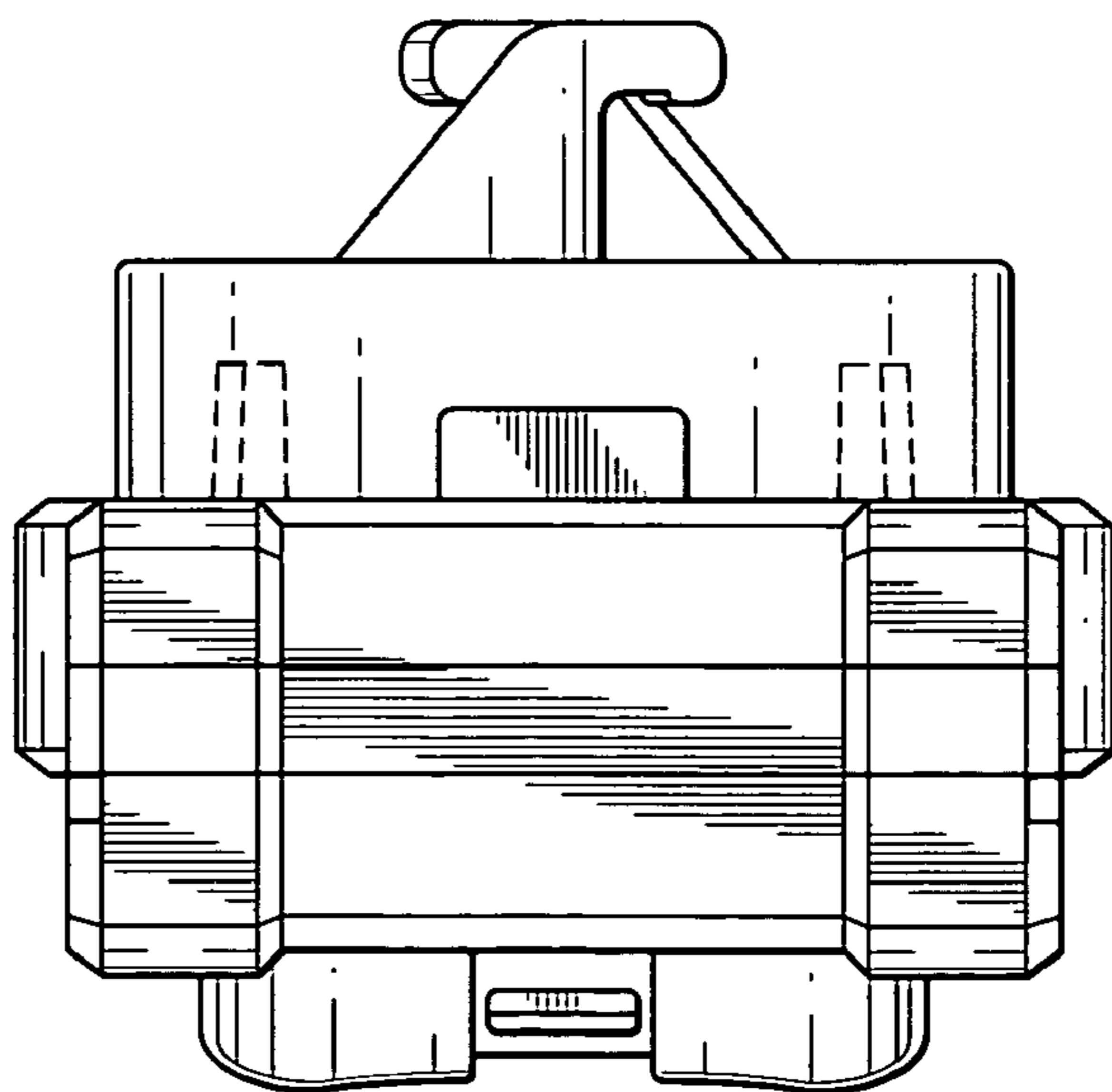


FIG. 2

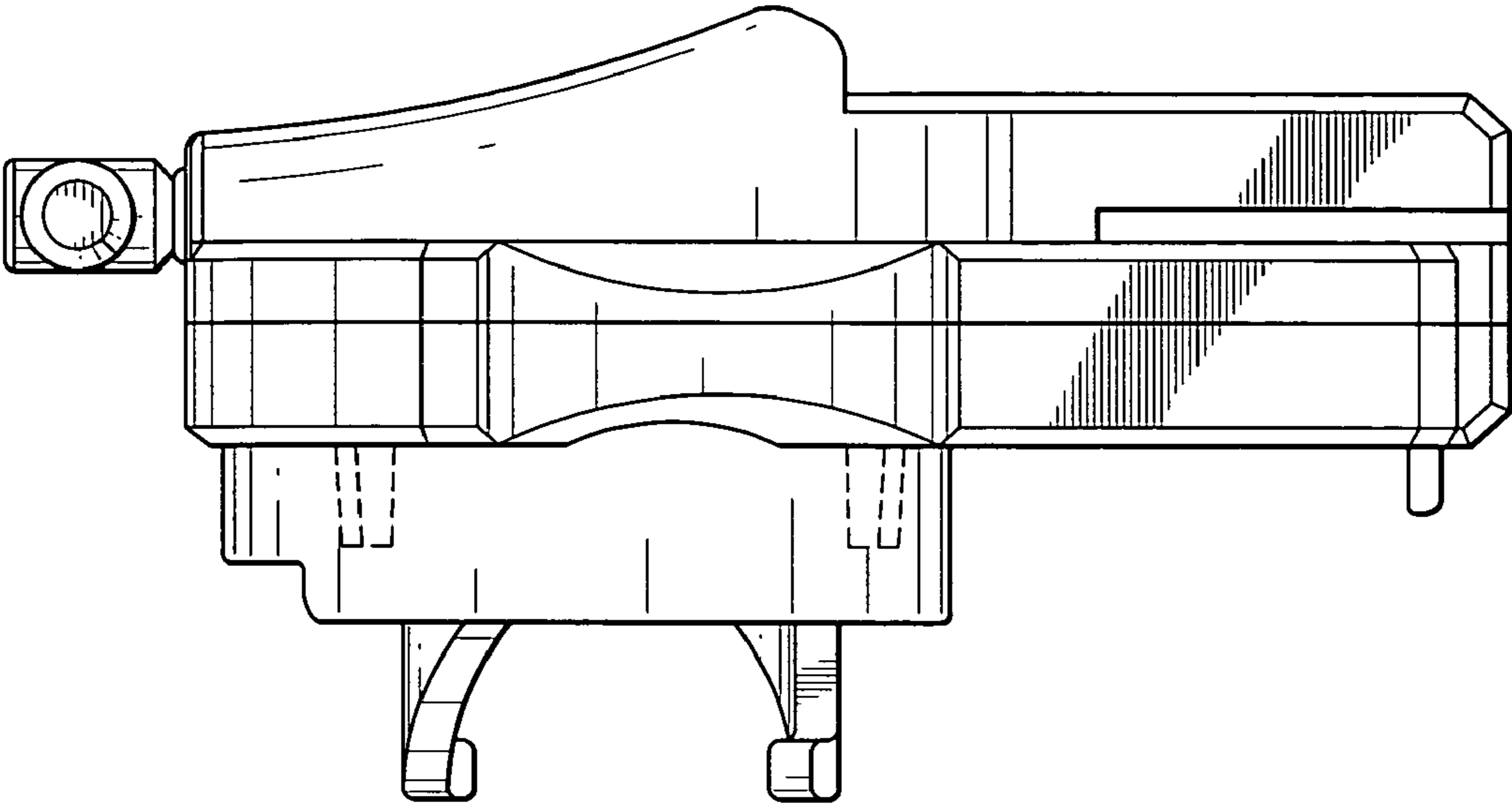


FIG. 3

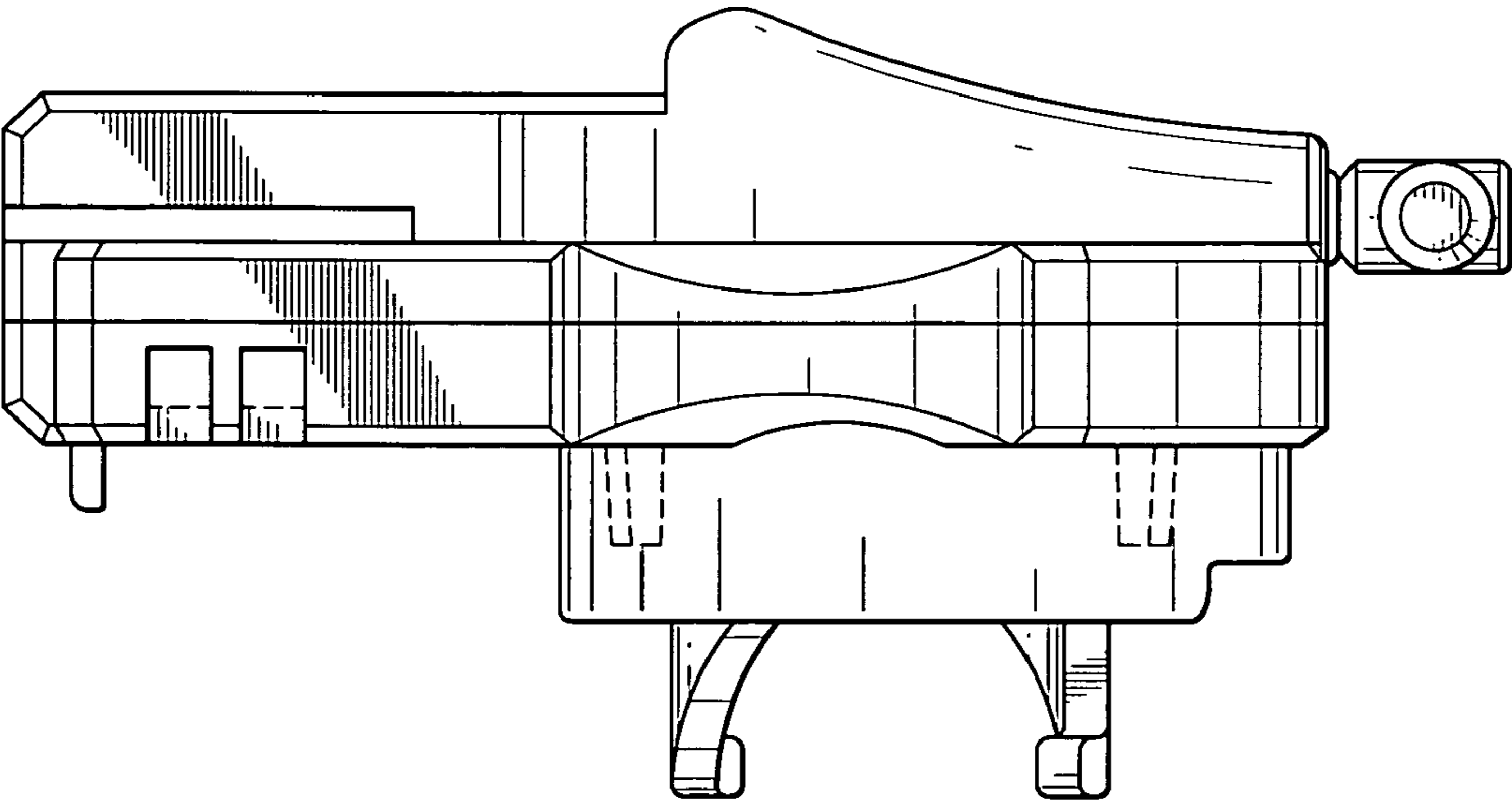


FIG. 4

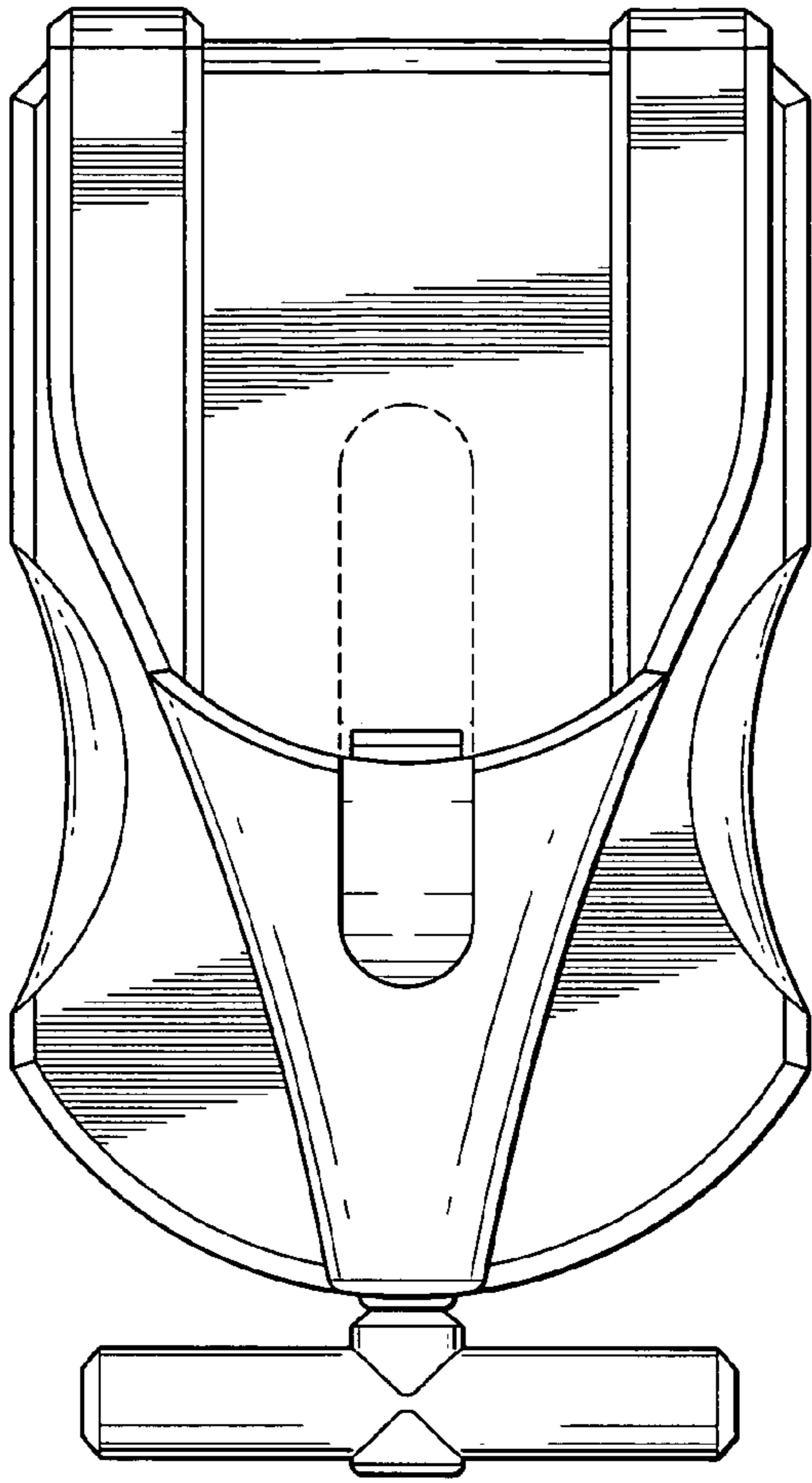


FIG. 5

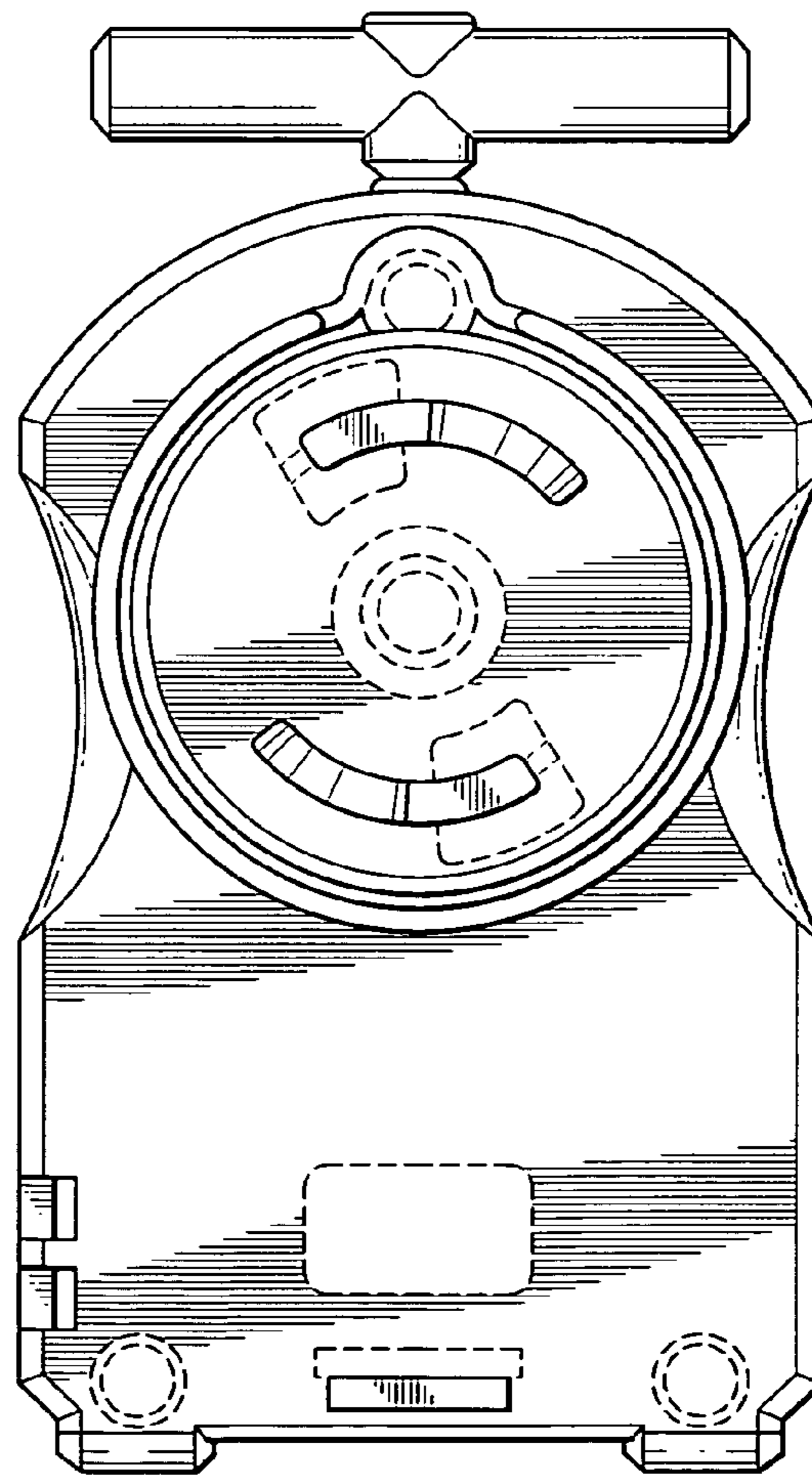


FIG. 6

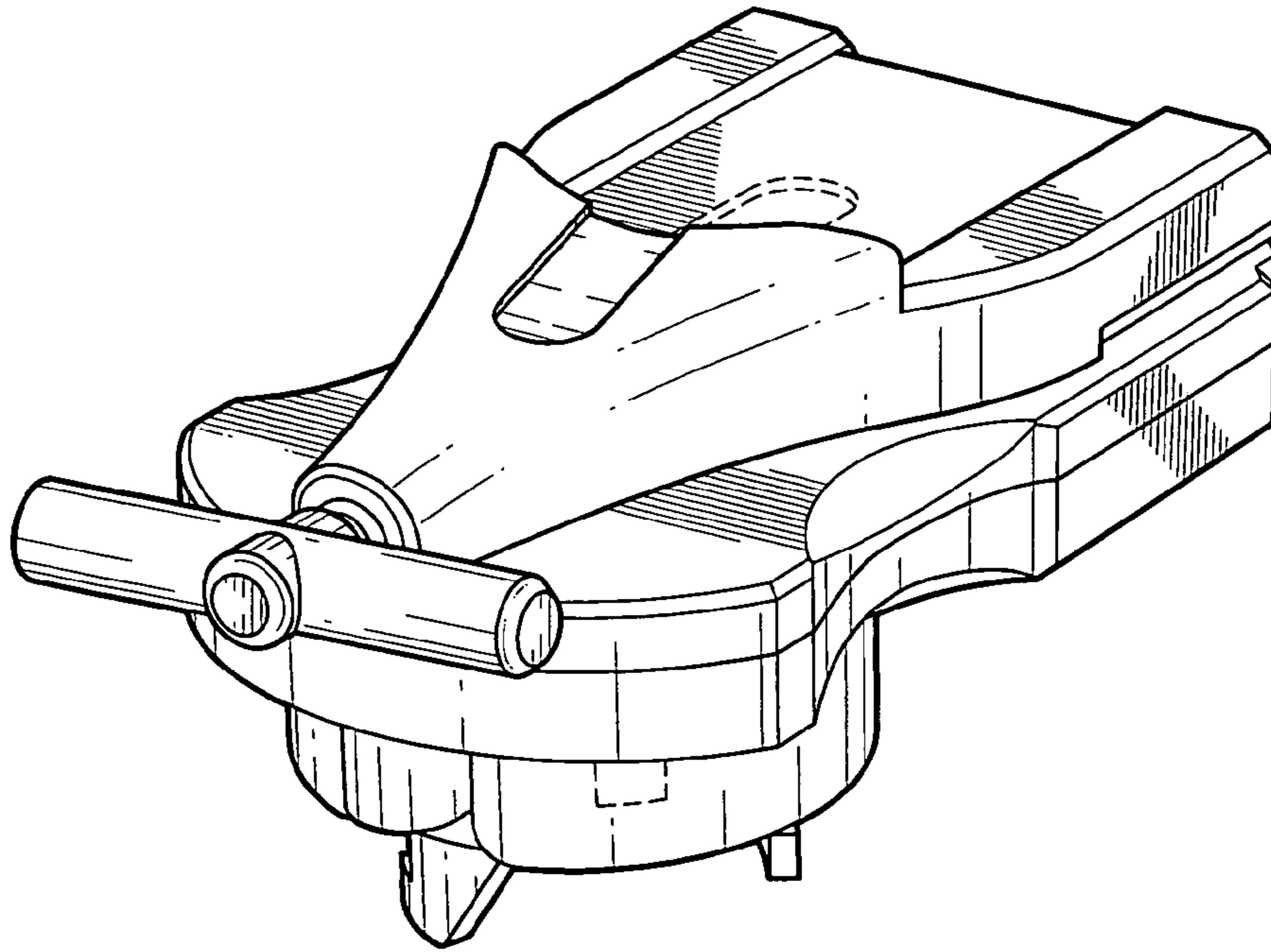


FIG. 7

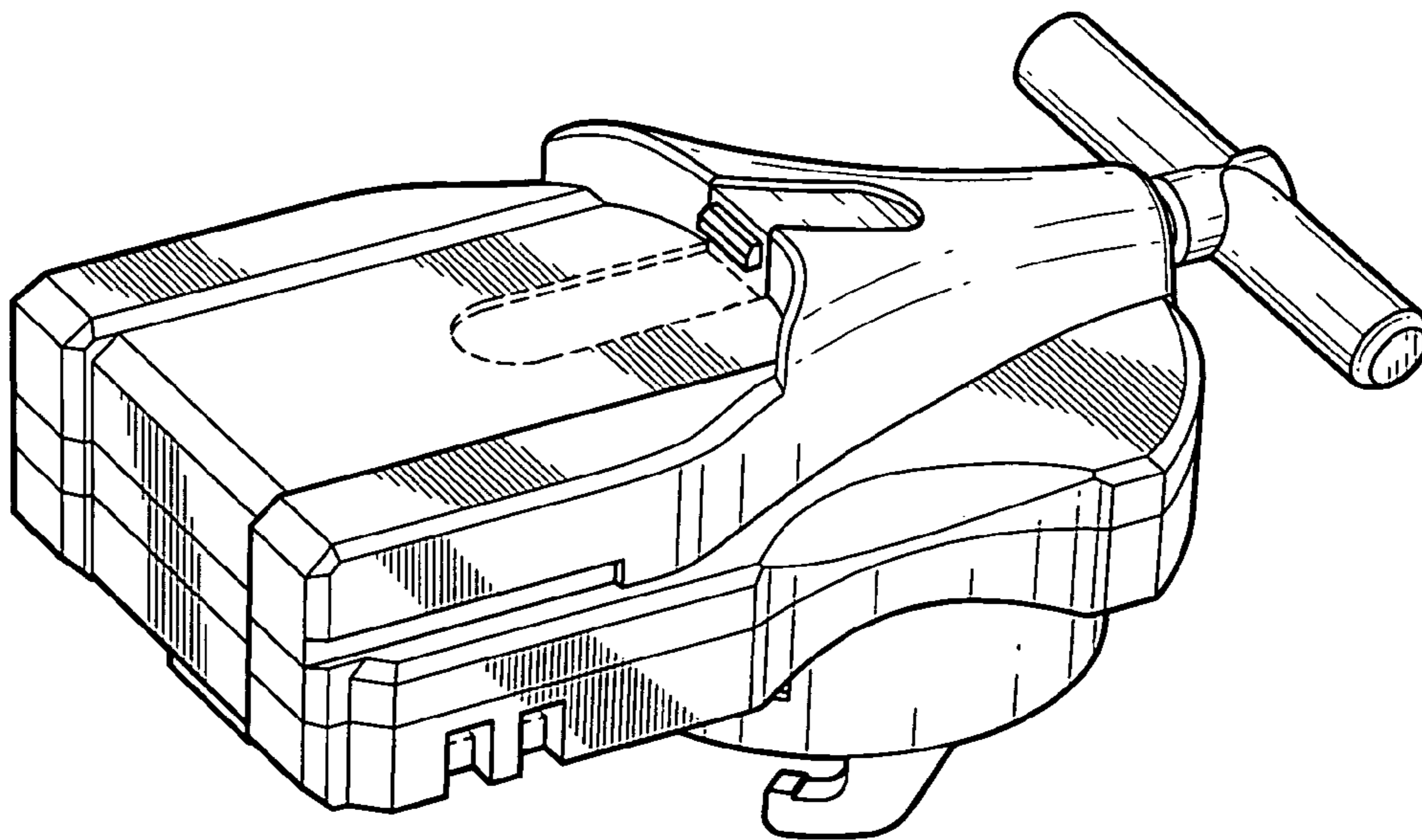


FIG. 8

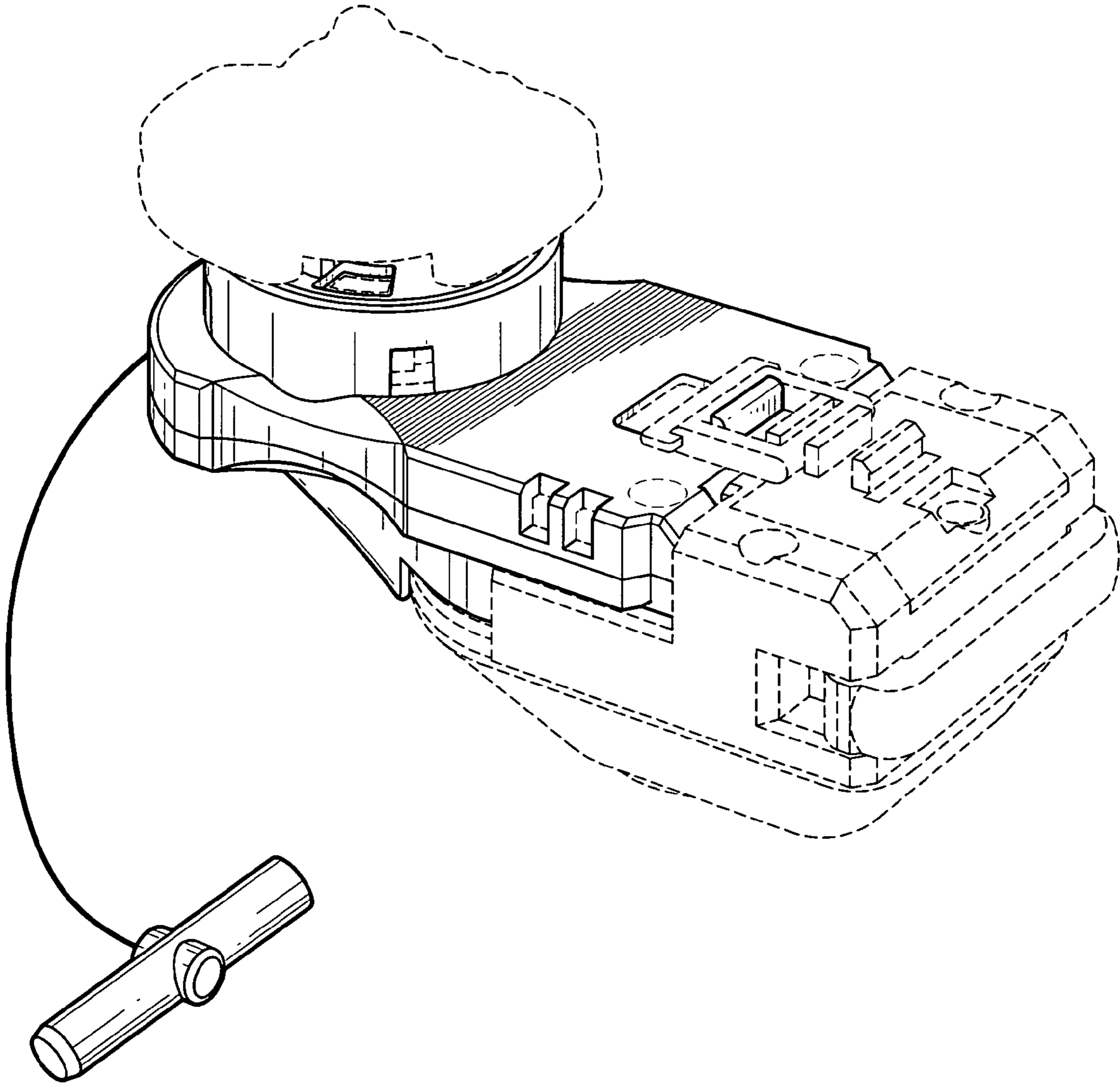


FIG.9