



US00D610210S

(12) **United States Design Patent**  
**Nishimoto**

(10) **Patent No.:** **US D610,210 S**  
(45) **Date of Patent:** **\*\* Feb. 16, 2010**

(54) **TOY TOP SPINNER**

7,427,225 B2 9/2008 Matsukawa et al.

(75) Inventor: **Hisao Nishimoto**, Tokyo (JP)

FOREIGN PATENT DOCUMENTS

(73) Assignee: **Tomy, Company, Ltd.**, Tokyo (JP)

JP 2003-320174 11/2003  
JP 2005-328976 12/2005

(\*\*) Term: **14 Years**

OTHER PUBLICATIONS

(21) Appl. No.: **29/309,765**

U.S. Copyright Registration No. VA1-172-936 dated Oct. 22, 2002 with deposit copy.  
Specimen filed in U.S. Trademark Registration No. 2,709,995 on Nov. 12, 2002.

(22) Filed: **Oct. 6, 2008**

(30) **Foreign Application Priority Data**

Apr. 8, 2008 (JP) ..... 2008-8991

(Continued)

*Primary Examiner*—Catherine Tuttle  
(74) *Attorney, Agent, or Firm*—Staas & Halsey LLP

(51) **LOC (9) Cl.** ..... **21-01**

(52) **U.S. Cl.** ..... **D21/461**

(58) **Field of Classification Search** ..... D21/385,  
D21/398, 436–438, 441–444, 447, 453–464;  
446/34–45, 48, 217, 218, 236–266, 421,  
446/429, 430, 486, 489

(57) **CLAIM**

The ornamental design for a toy top spinner, as shown and described.

See application file for complete search history.

**DESCRIPTION**

FIG. 1 is a front view of the toy top spinner showing my design;

(56) **References Cited**

U.S. PATENT DOCUMENTS

- 214,154 A \* 4/1879 Johnson ..... 446/263
- 615,930 A \* 12/1898 Warren ..... 446/260
- 1,207,200 A 12/1916 Novak
- 1,208,431 A \* 12/1916 Wilcox ..... 446/263
- 1,366,535 A 1/1921 Harrington
- 1,771,489 A \* 7/1930 Dochnal ..... 446/263
- 2,561,601 A 7/1951 Szonnell
- D199,536 S \* 11/1964 Salayka ..... D21/461
- 3,701,216 A \* 10/1972 Smith et al. .... 446/429
- D289,907 S 5/1987 Redding
- D353,633 S \* 12/1994 Nonaka et al. .... D21/461
- 5,518,437 A \* 5/1996 Nonaka et al. .... 446/259
- 5,593,338 A \* 1/1997 Itoh et al. .... 446/259
- 6,739,939 B2 \* 5/2004 Matsukawa ..... 446/256
- 6,743,070 B1 \* 6/2004 Lin ..... 446/256
- 6,905,389 B2 6/2005 Matsukawa
- 7,063,589 B2 6/2006 Matsukawa et al.

FIG. 2 is rear view thereof;

FIG. 3 is a right side view thereof;

FIG. 4 is a left side view thereof;

FIG. 5 is a top view thereof;

FIG. 6 is a bottom view thereof;

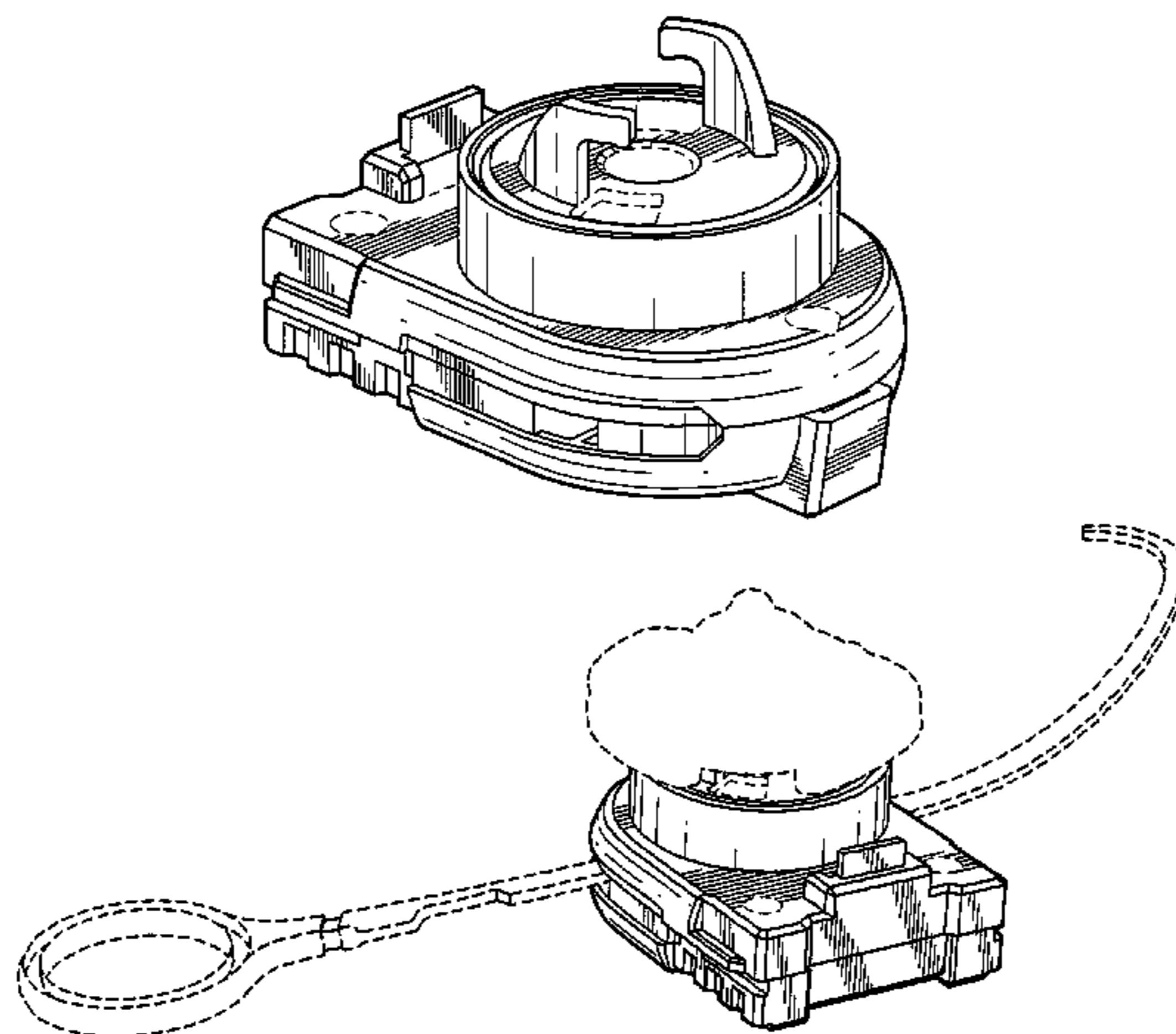
FIG. 7 is a front perspective view thereof;

FIG. 8 is a bottom perspective view thereof; and,

FIG. 9 is a rear perspective view showing the design together with broken lines illustrating an associated top and inserted tool.

The broken lines showing the top and inserted tool are included for the purpose of illustrating environmental structure that forms no part of the claimed design. The remaining broken lines are included for the purpose of illustrating portions of the toy top spinner that form no part of the claimed design.

**1 Claim, 5 Drawing Sheets**



# US D610,210 S

Page 2

---

## OTHER PUBLICATIONS

Apr. 15, 2009 Office Action in co-pending U.S. Appl. No. 29/309,767.

Notice of Allowance issued Oct. 2, 2009 in related U.S. Appl. No. 29/309,767.

\* cited by examiner

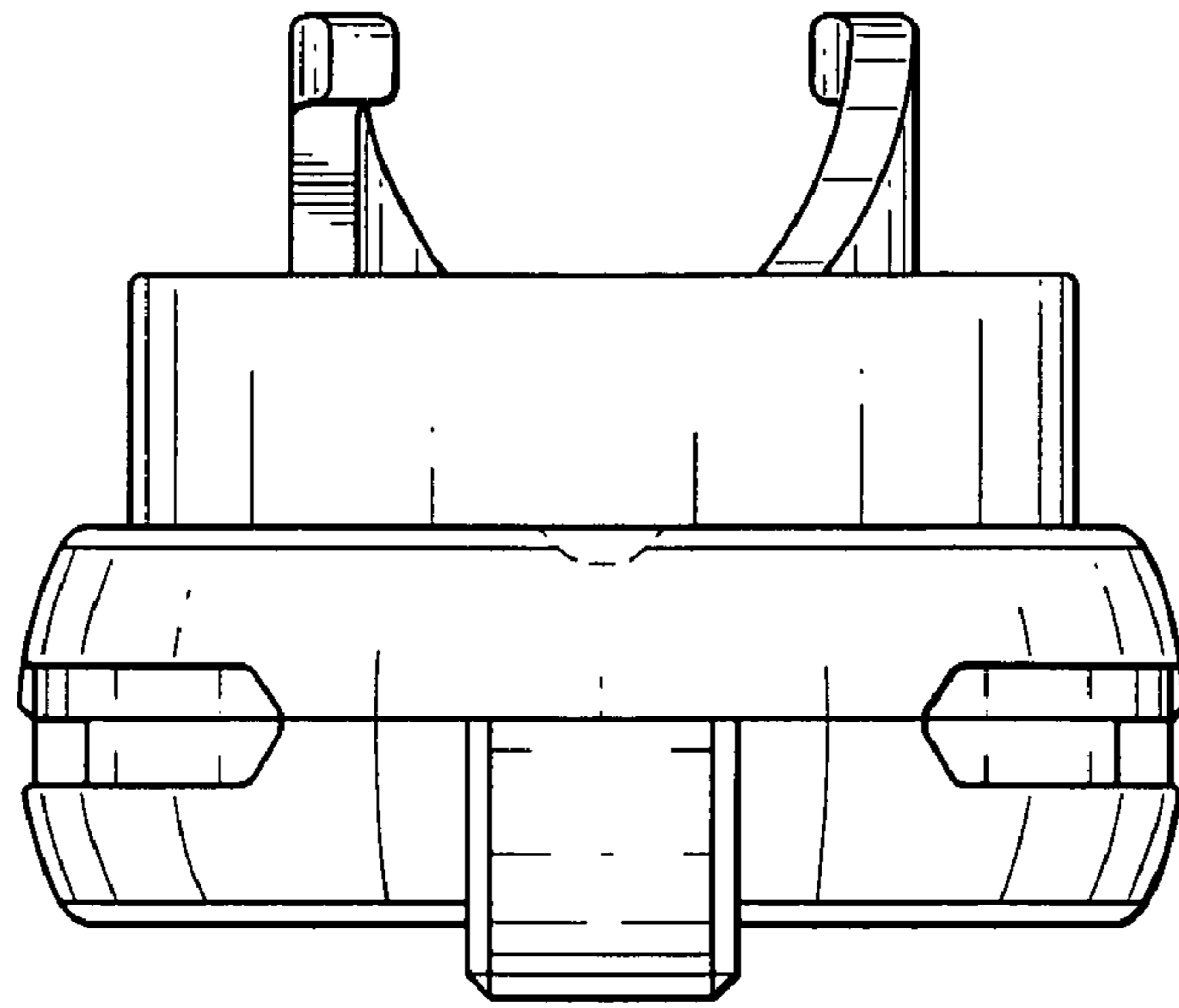


FIG. 1

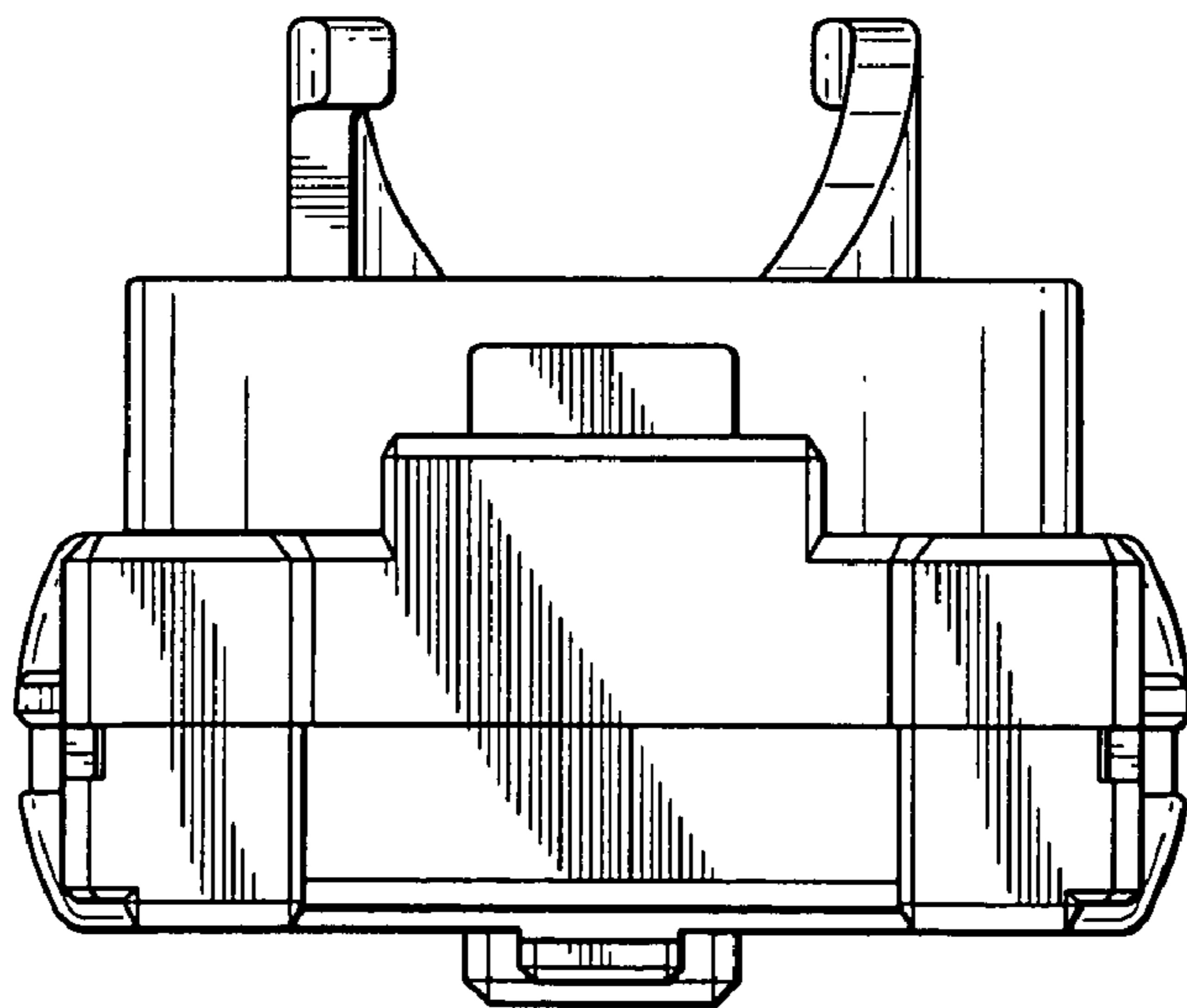


FIG. 2

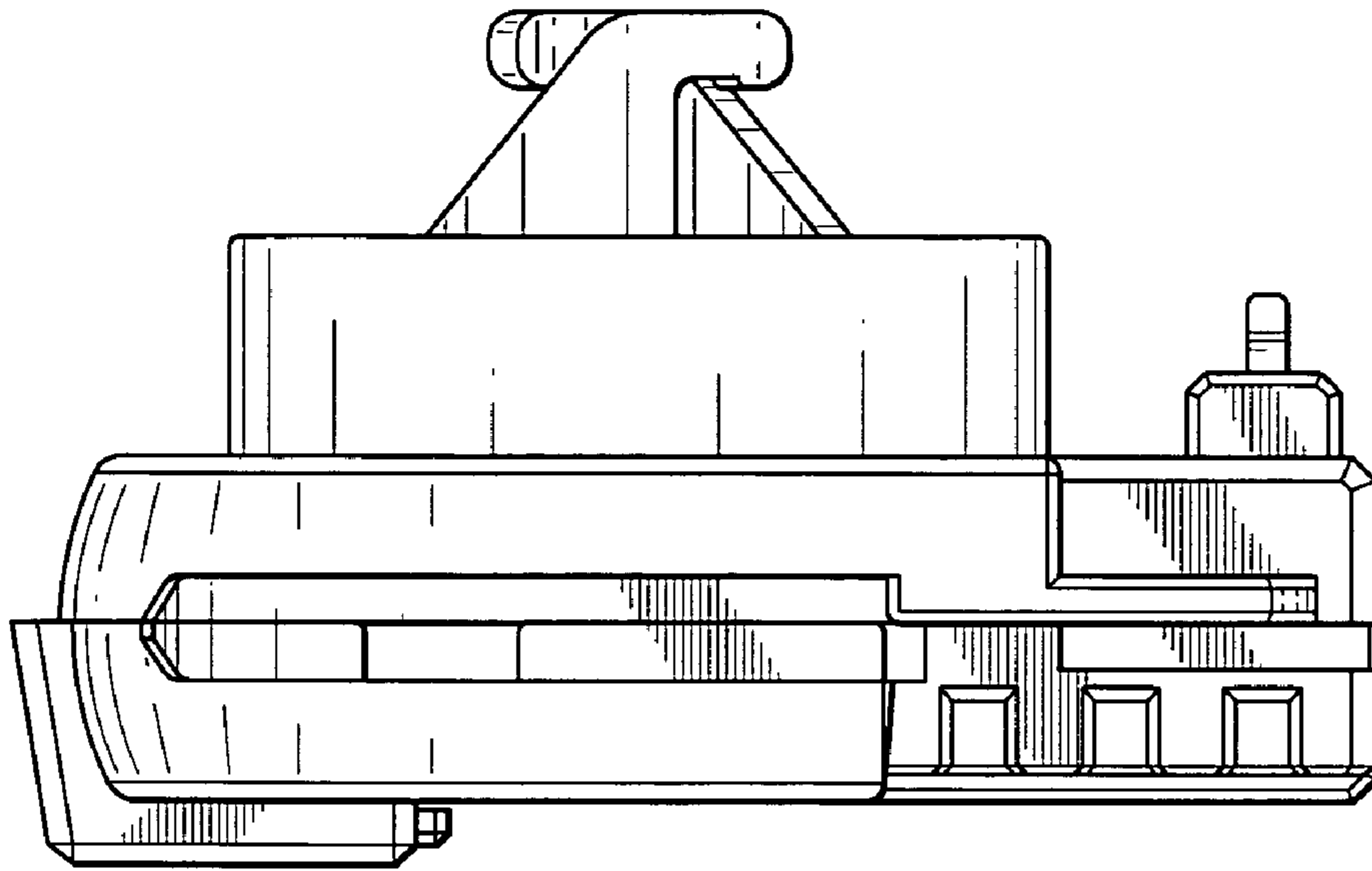


FIG. 3

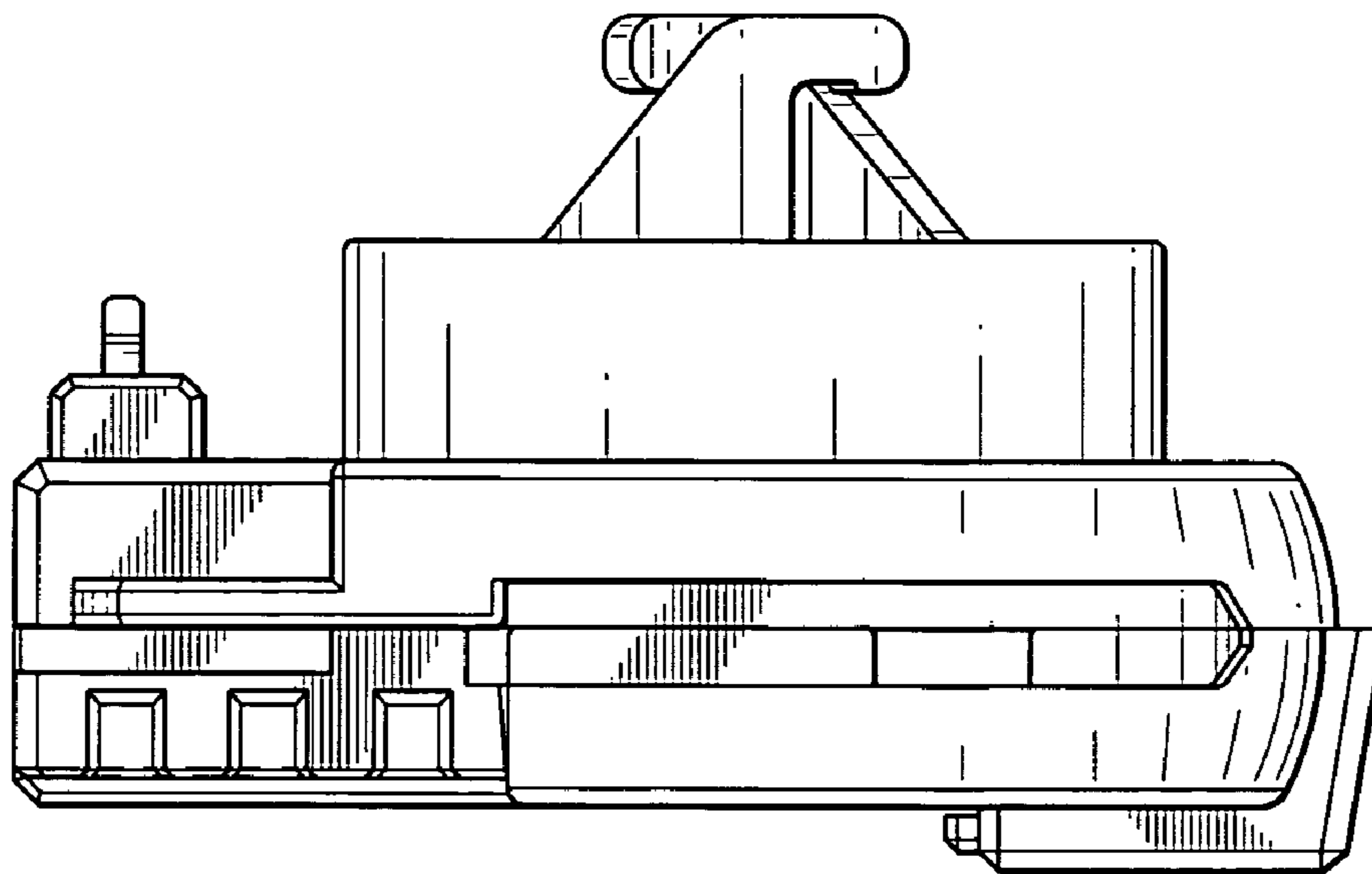


FIG. 4

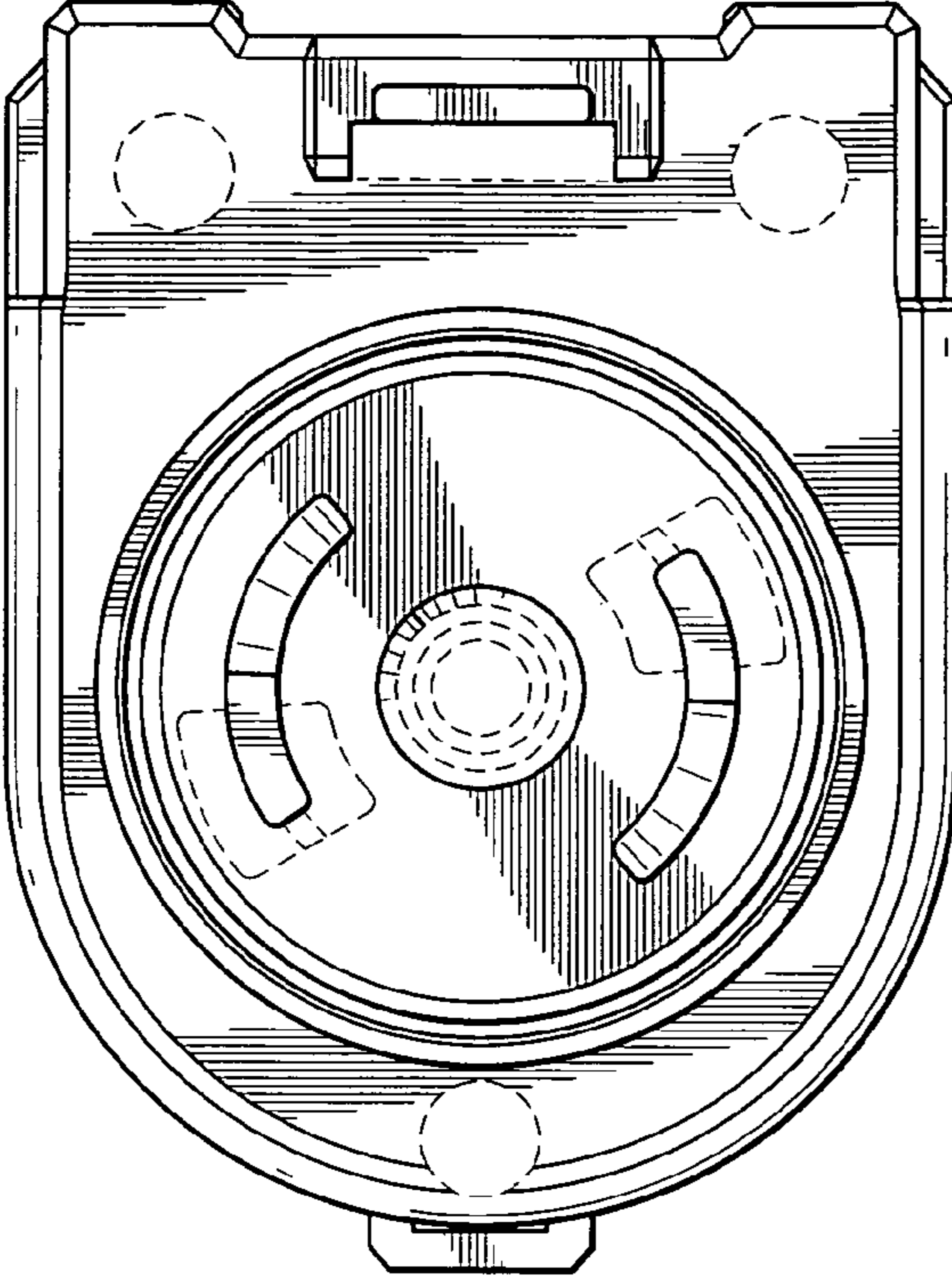


FIG. 5

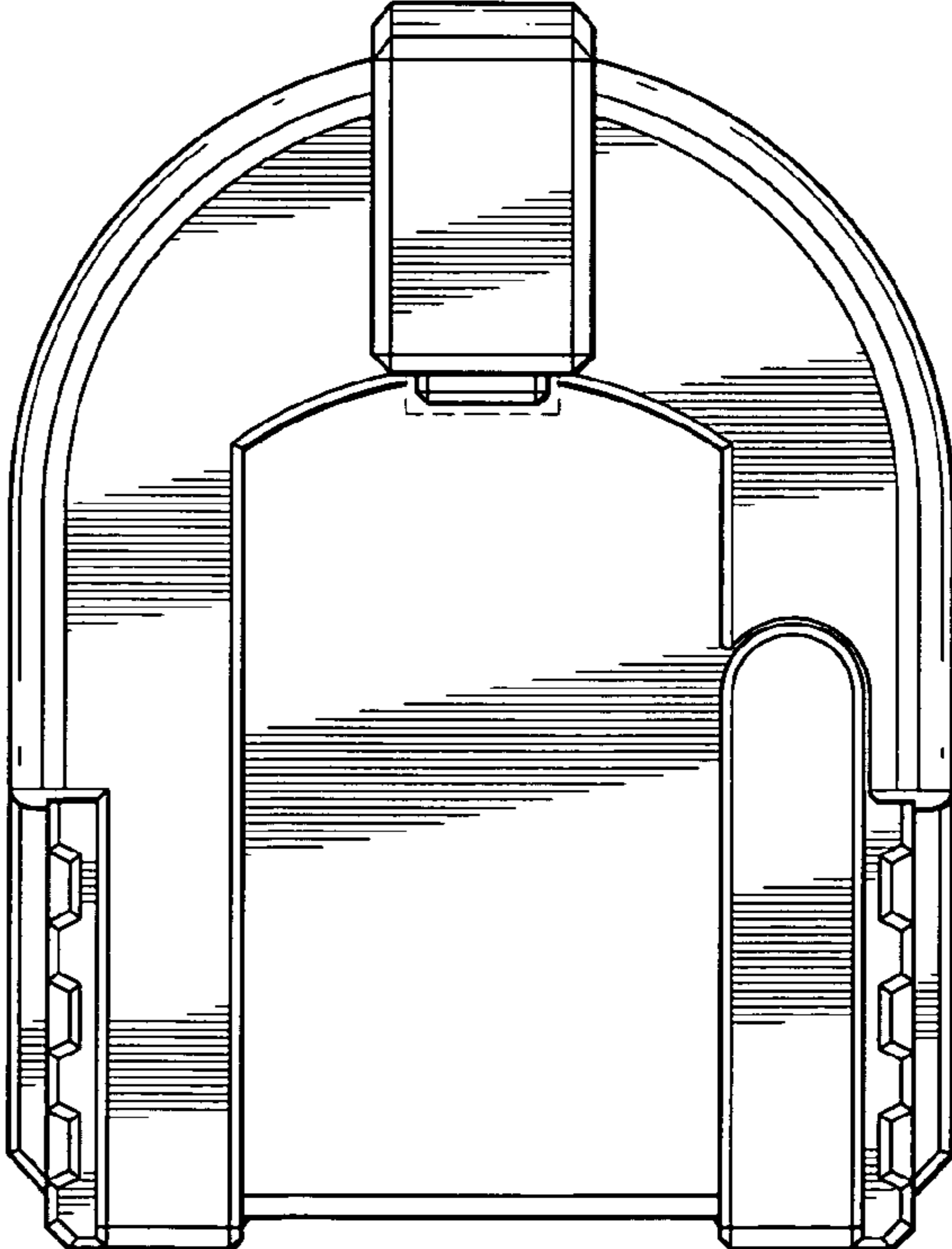


FIG. 6

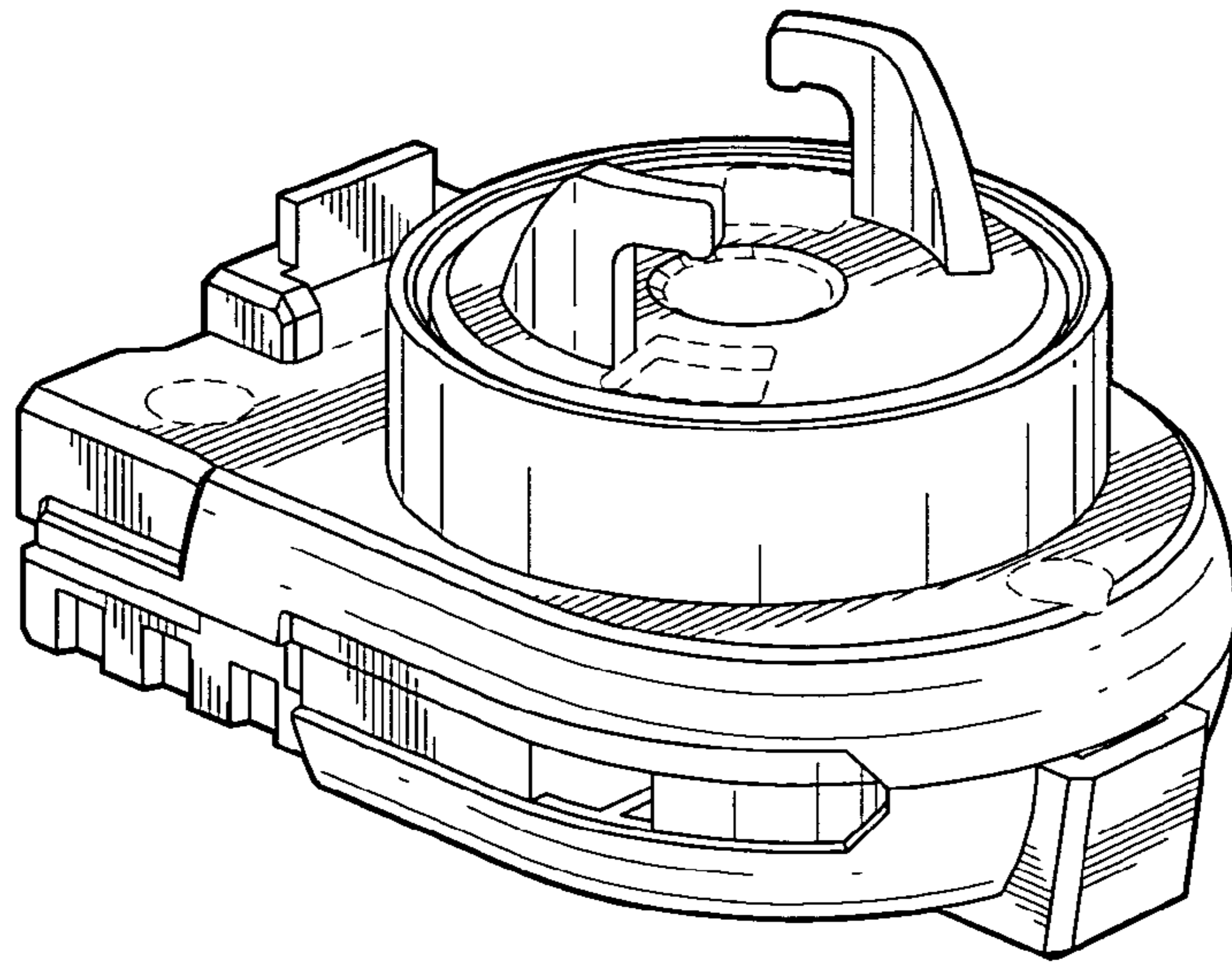


FIG. 7

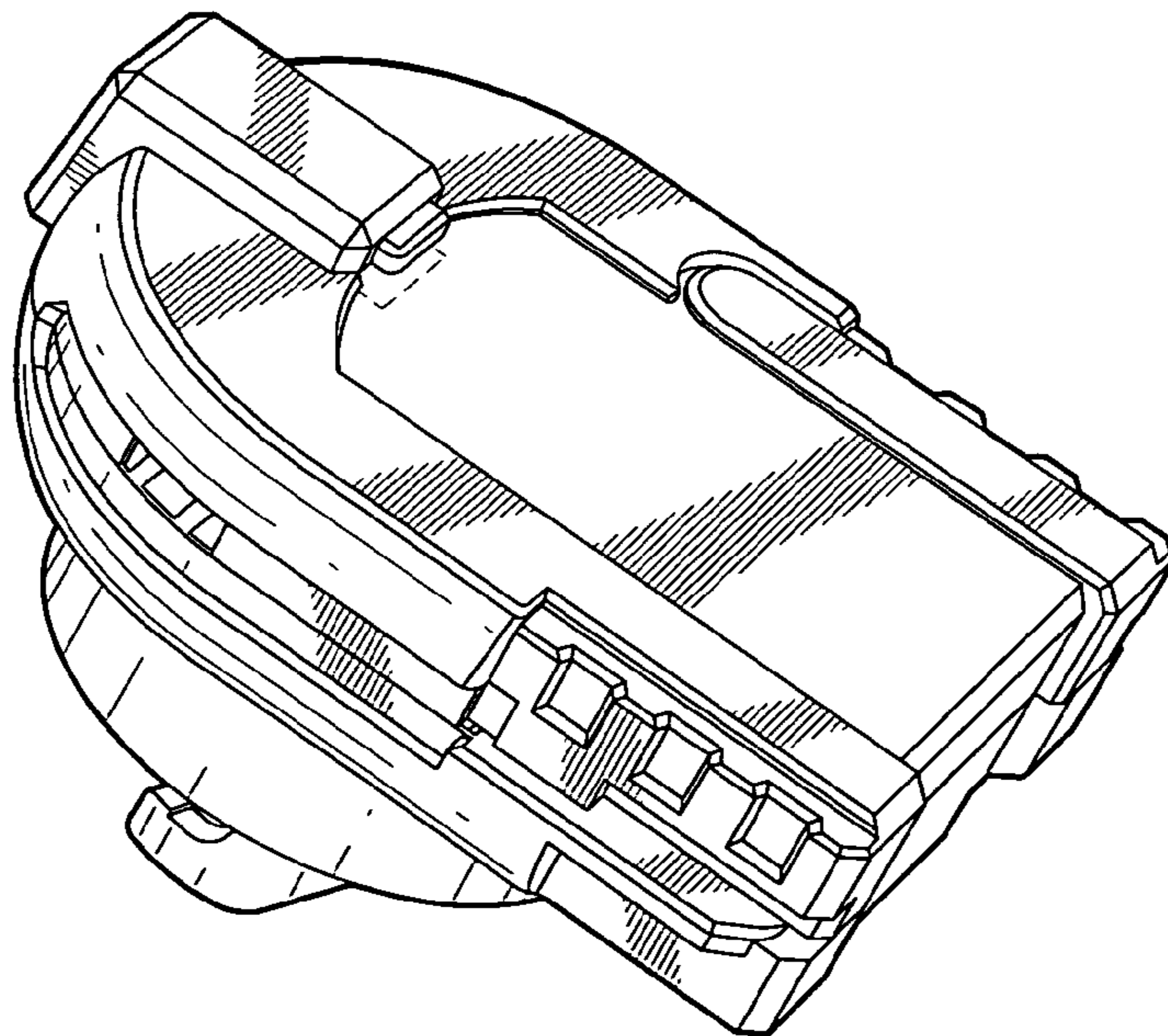


FIG. 8

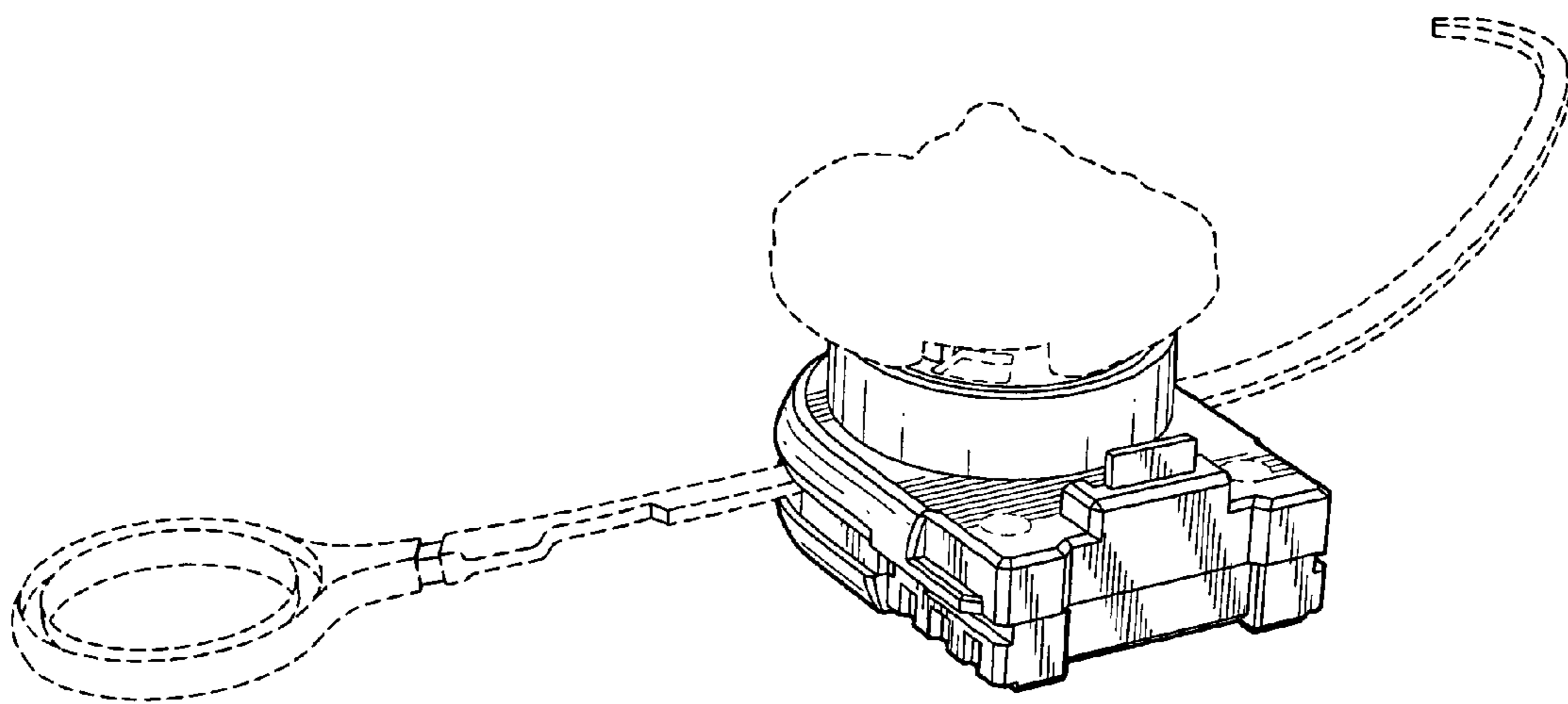


FIG. 9