



US00D610209S

(12) **United States Design Patent**  
**Nishimoto**

(10) **Patent No.:** **US D610,209 S**

(45) **Date of Patent:** **\*\* \*Feb. 16, 2010**

(54) **TOY TOP**

2006/0258259 A1\* 11/2006 Lin ..... 446/256

(75) Inventor: **Hisao Nishimoto**, Tokyo (JP)

(73) Assignee: **Tomy Company, Ltd.**, Tokyo (JP)

(\*\*) Term: **14 Years**

(21) Appl. No.: **29/309,764**

(22) Filed: **Oct. 6, 2008**

(30) **Foreign Application Priority Data**

Apr. 8, 2008 (JP) ..... 2008-8982

(51) **LOC (9) Cl.** ..... **21-01**

(52) **U.S. Cl.** ..... **D21/460**

(58) **Field of Classification Search** ..... D21/385,  
D21/386, 390, 398, 404, 436-438, 441-444,  
D21/451, 453, 455, 458, 460-464, 563, 578,  
D21/585, 592; 446/34, 36-48, 217, 218,  
446/236-266, 330, 352, 359, 366, 368, 429,  
446/430

See application file for complete search history.

(56) **References Cited**

**U.S. PATENT DOCUMENTS**

- 461,948 A 10/1891 Wilson
- D155,015 S 8/1949 Krapp
- 2,789,392 A \* 4/1957 Palmieri ..... 446/261
- 3,220,142 A \* 11/1965 Butterfield ..... 446/46
- 4,157,632 A 6/1979 Everett
- D262,610 S \* 1/1982 Westlake et al. .... D10/111
- D353,632 S \* 12/1994 Nonaka et al. .... D21/460
- D356,347 S \* 3/1995 Nonaka et al. .... D21/460
- 5,518,437 A \* 5/1996 Nonaka et al. .... 446/259
- 6,604,979 B1 \* 8/2003 Liu ..... 446/256
- 6,626,729 B2 \* 9/2003 Osawa ..... 446/250
- 6,739,939 B2 \* 5/2004 Matsukawa ..... 446/256
- 6,746,300 B1 \* 6/2004 Matsukawa ..... 446/256
- 6,905,389 B2 \* 6/2005 Matsukawa ..... 446/256
- 7,063,589 B2 6/2006 Matsukawa et al.
- 7,427,225 B2 9/2008 Matsukawa et al.
- D584,366 S \* 1/2009 Bowen et al. .... D21/563

**FOREIGN PATENT DOCUMENTS**

- CN 2925561 Y \* 7/2007
- CN 200977395 Y \* 11/2007
- CN 200977396 Y \* 11/2007

(Continued)

**OTHER PUBLICATIONS**

U.S. Copyright Registration No. VA1-151-590 dated Nov. 15, 2002 with deposit copy.

(Continued)

*Primary Examiner*—Catherine Tuttle  
(74) *Attorney, Agent, or Firm*—Staas & Halsey LLP

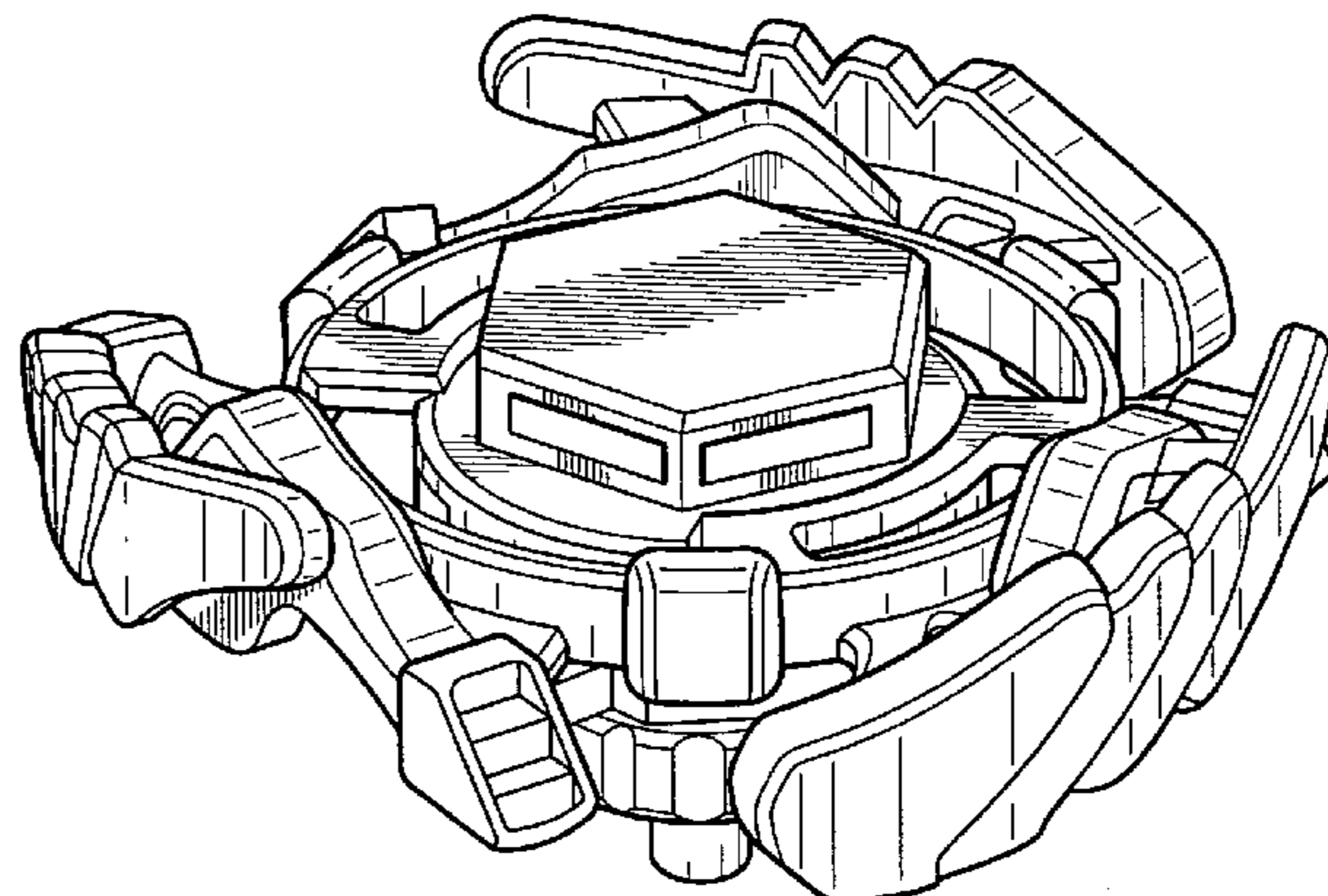
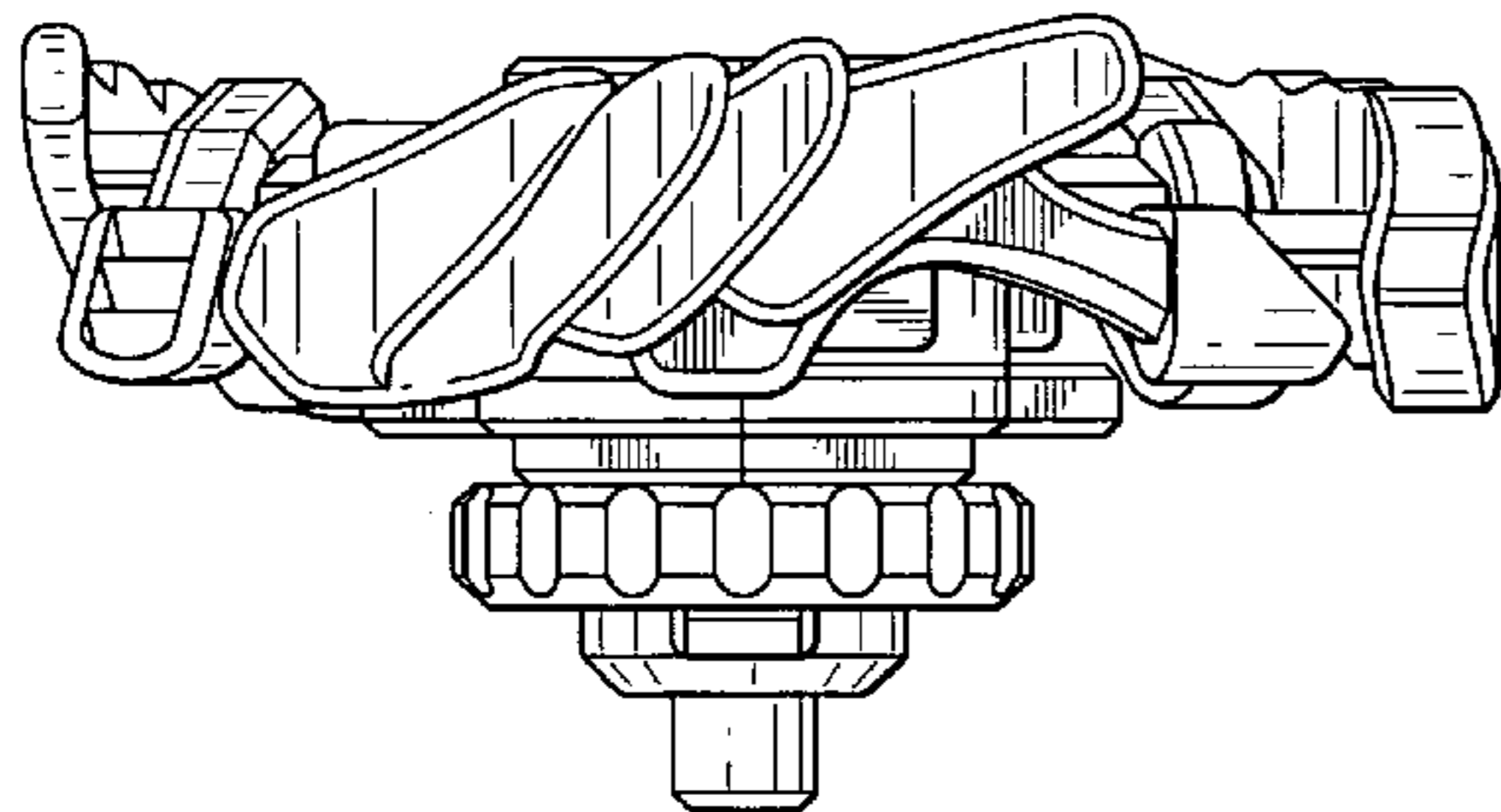
(57) **CLAIM**

The ornamental design for a toy top, as shown and described.

**DESCRIPTION**

FIG. 1 is a side view of the toy top showing my design;  
FIG. 2 is the side view opposite to FIG. 1;  
FIG. 3 is a side view rotated 90° from FIG. 1;  
FIG. 4 is the side view opposite to FIG. 3;  
FIG. 5 is a top view thereof;  
FIG. 6 is a bottom view thereof;  
FIG. 7 is a perspective view thereof; and,  
FIG. 8 is a perspective view showing the design with its components in a separated state.

**1 Claim, 5 Drawing Sheets**



FOREIGN PATENT DOCUMENTS

CN 200977397 Y \* 11/2007  
CN 200977398 \* 11/2007  
CN 200984446 Y \* 12/2007  
JP 2003320174 A \* 11/2003  
JP 2005328976 A \* 12/2005

OTHER PUBLICATIONS

U.S. Copyright Registration No. VA1-151-591 dated Nov. 15, 2002 with deposit copy.  
U.S. Copyright Registration No. VA1-151-593 dated Nov. 15, 2002 with deposit copy.  
U.S. Copyright Registration No. VA1-172-925 dated Oct. 22, 2002 with deposit copy.  
U.S. Copyright Registration No. VA1-172-926 dated Oct. 22, 2002 with deposit copy.  
U.S. Copyright Registration No. VA1-172-927 dated Oct. 22, 2002 with deposit copy.  
U.S. Copyright Registration No. VA1-172-931 dated Oct. 22, 2002 with deposit copy.  
U.S. Copyright Registration No. VA1-172-935 dated Oct. 22, 2002 with deposit copy.  
Specimen filed in U.S. Trademark Registration No. 2,709,995 on Nov. 12, 2002.  
Apr. 15, 2009 Office Action in co-pending U.S. Des. Appl. No. 29/309,766.  
Apr. 2, 2009 Office Action in co-pending U.S. Des. Appl. No. 29/309,758.

Apr. 16, 2009 Office Action in co-pending U.S. Des. Appl. No. 29/309,768.  
Apr. 15, 2009 Office Action in co-pending U.S. Des. Appl. No. 29/309,759.  
Apr. 7, 2009 Office Action in co-pending U.S. Des. Appl. No. 29/309,761.  
Notice of Allowance in co-pending U.S. Des. Appl. No. 29/309,762.  
U.S. Appl. No. 29/309,766 Oct. 6, 2008 Nishimoto.  
U.S. Appl. No. 29/309,758 Oct. 6, 2008 Nishimoto.  
U.S. Appl. No. 29/309,768 Oct. 6, 2008 Nishimoto.  
U.S. Appl. No. 29/309,759 Oct. 6, 2008 Ujita.  
U.S. Appl. No. 29/309,761 Oct. 6, 2008 Nishimoto.  
U.S. Appl. No. 29/309,762 Oct. 6, 2008 Nishimoto.  
U.S. Appl. No. 29/311,777 Jun. 17, 2009, Ujita.  
U.S. Appl. No. 29/311,776 Jun. 17, 2009 Ujita.  
U.S. Appl. No. 29/311,775 Jun. 17, 2009 Ujita.  
Notice of Allowance mailed Sep. 3, 2009 in co-pending U.S. Des. Appl. No. 29/309,762.  
Communication mailed Oct. 16, 2009 in co-pending U.S. Des. Appl. No. 29/309,762.  
Office Action mailed Nov. 27, 2009 in co-pending U.S. Des. Appl. No. 29/311,775.  
Office Action mailed Nov. 27, 2009 in co-pending U.S. Des. Appl. No. 29/311,821.  
Notice of Allowance mailed Nov. 30, 2009 in co-pending U.S. Des. Appl. No. 29/309,766.  
Notice of Allowance mailed Nov. 30, 2009 in co-pending U.S. Des. Appl. No. 29/309,758.

\* cited by examiner

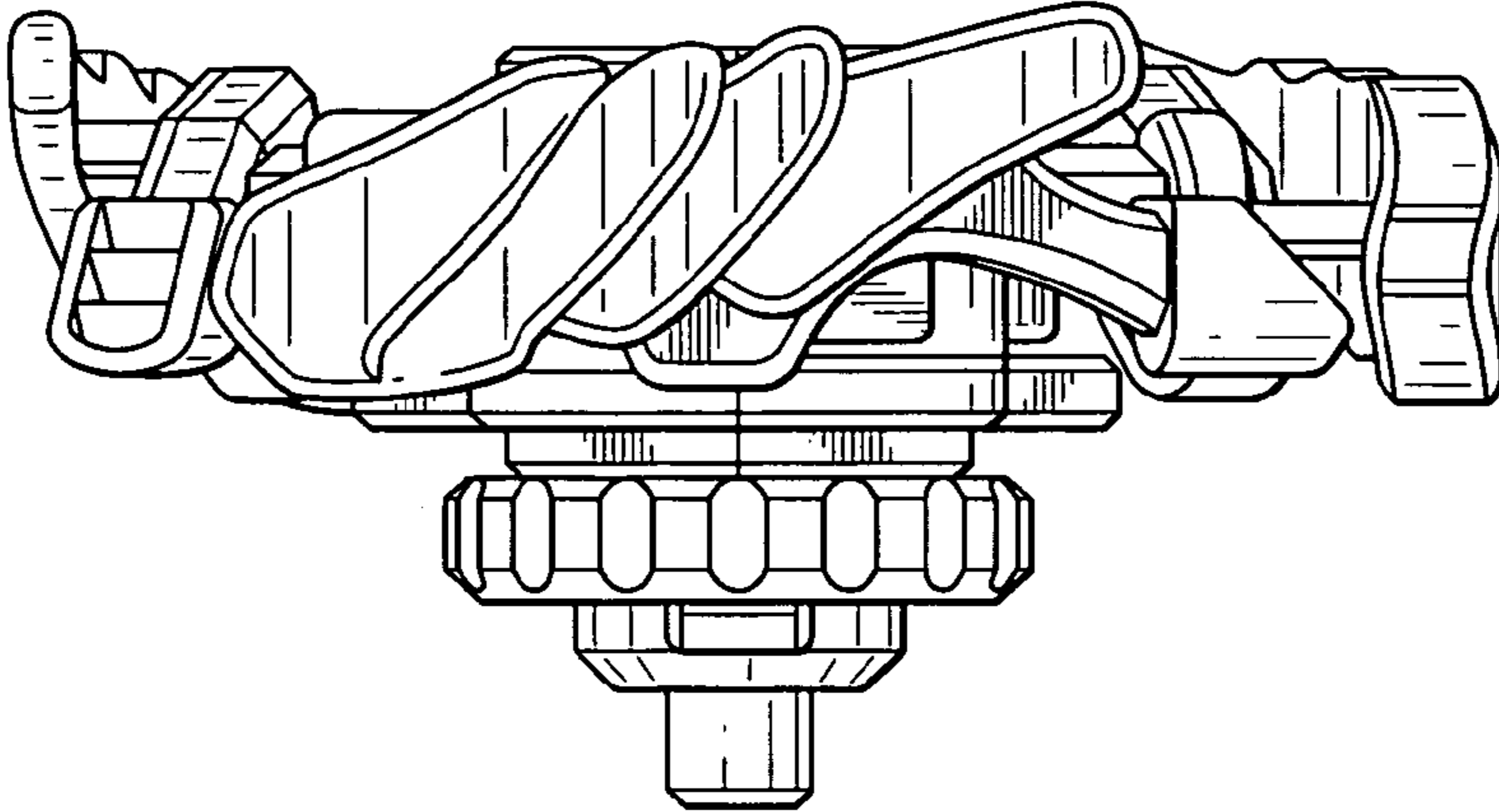


FIG. 1

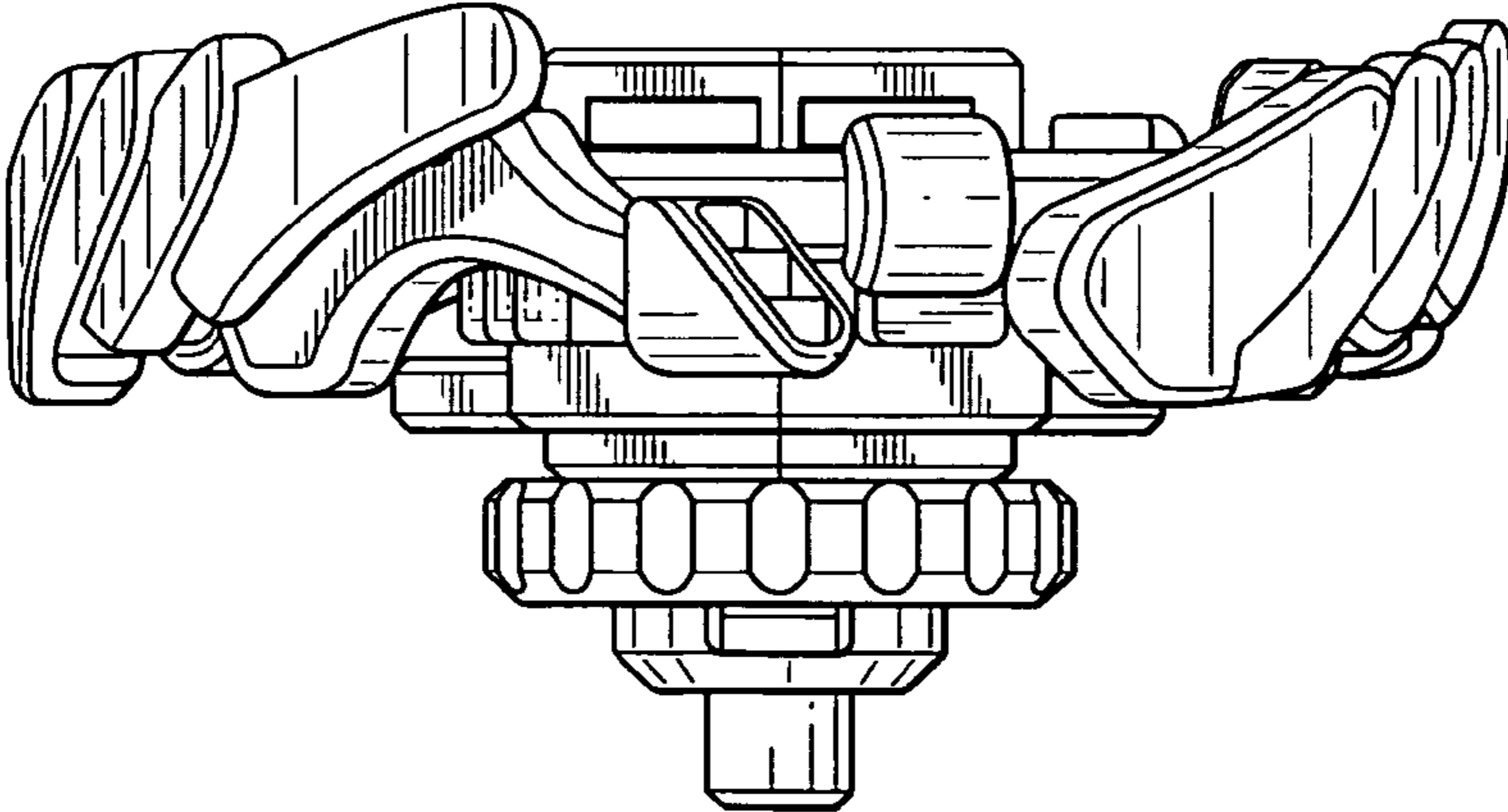


FIG. 2

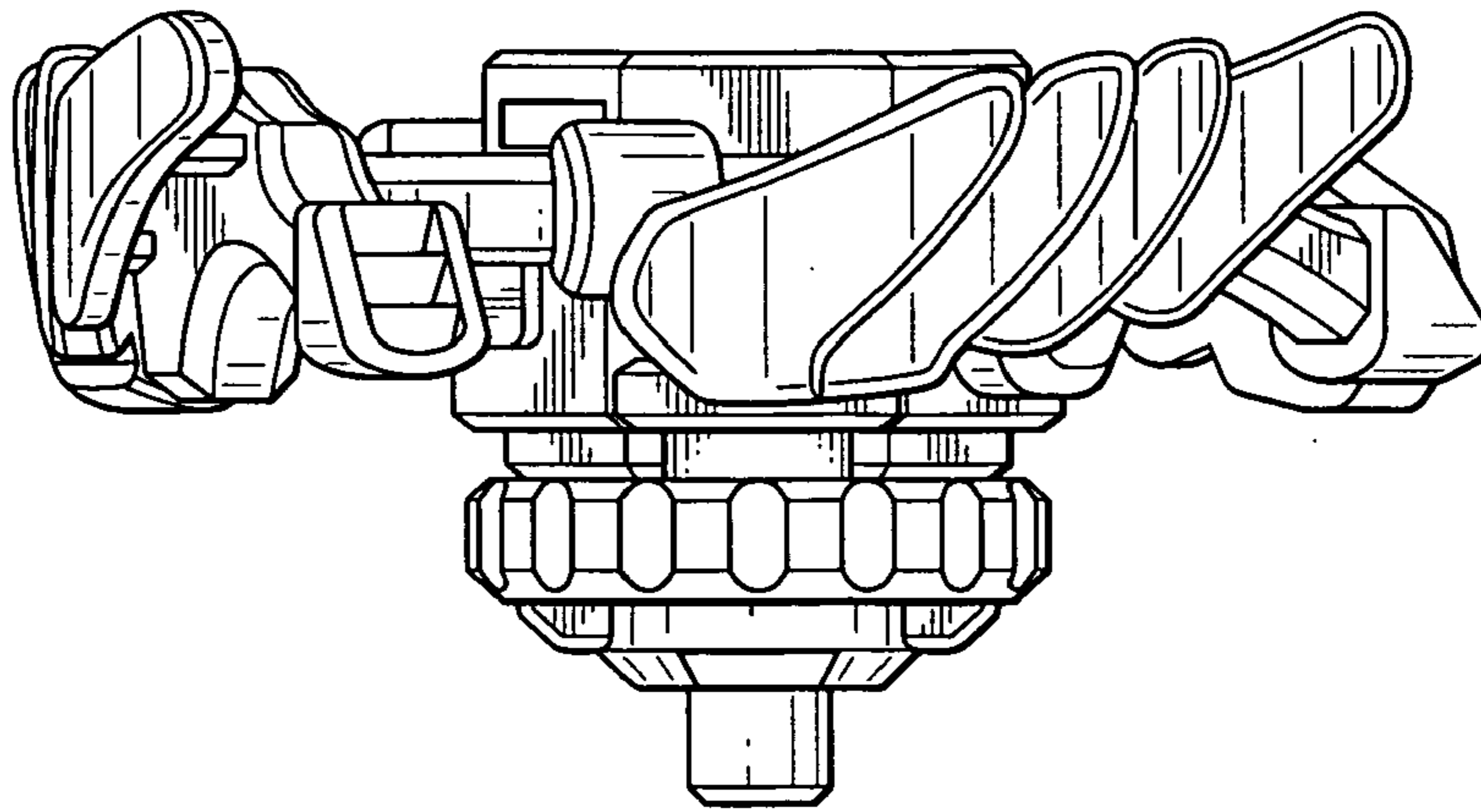


FIG. 3

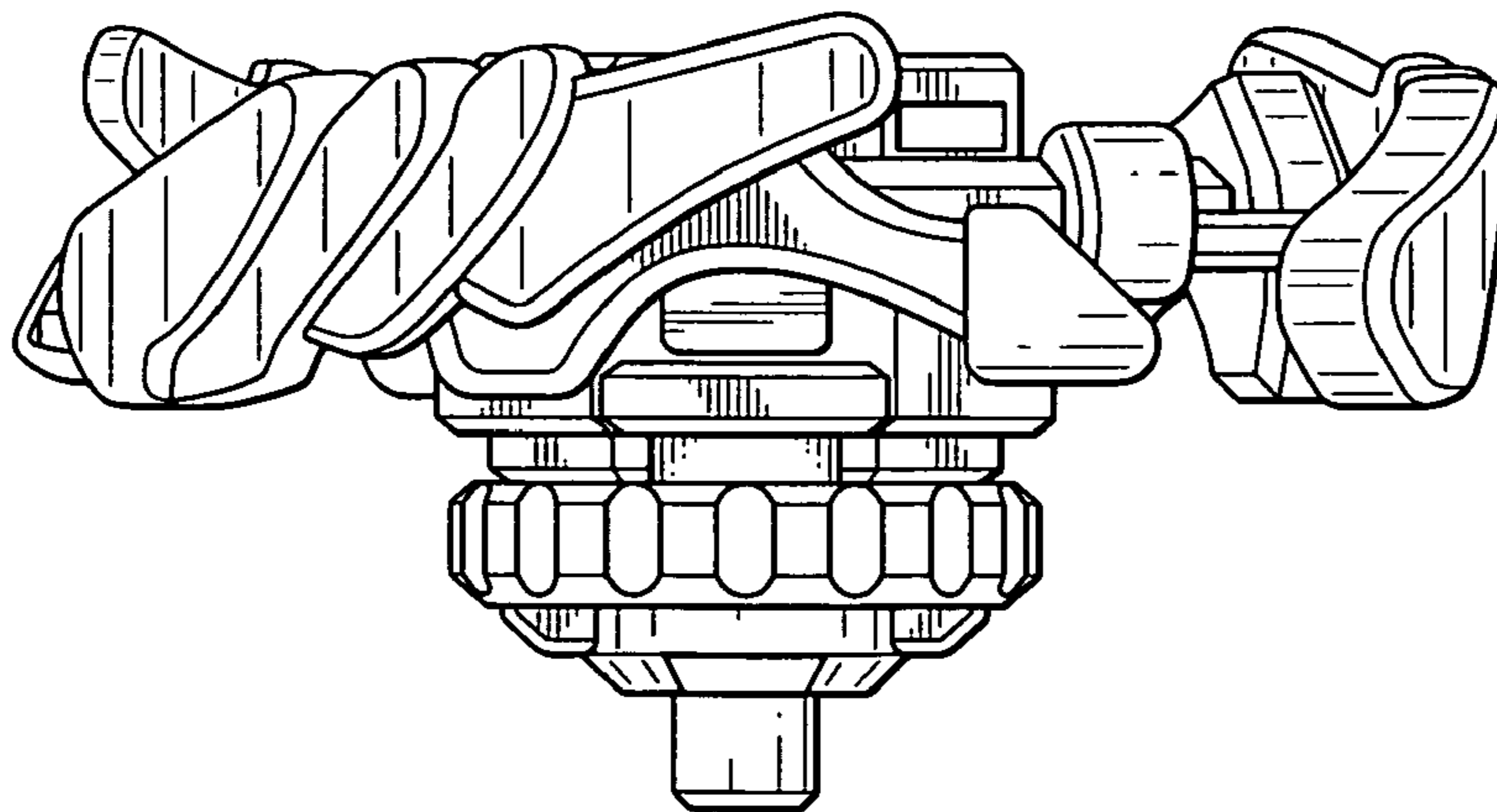


FIG. 4

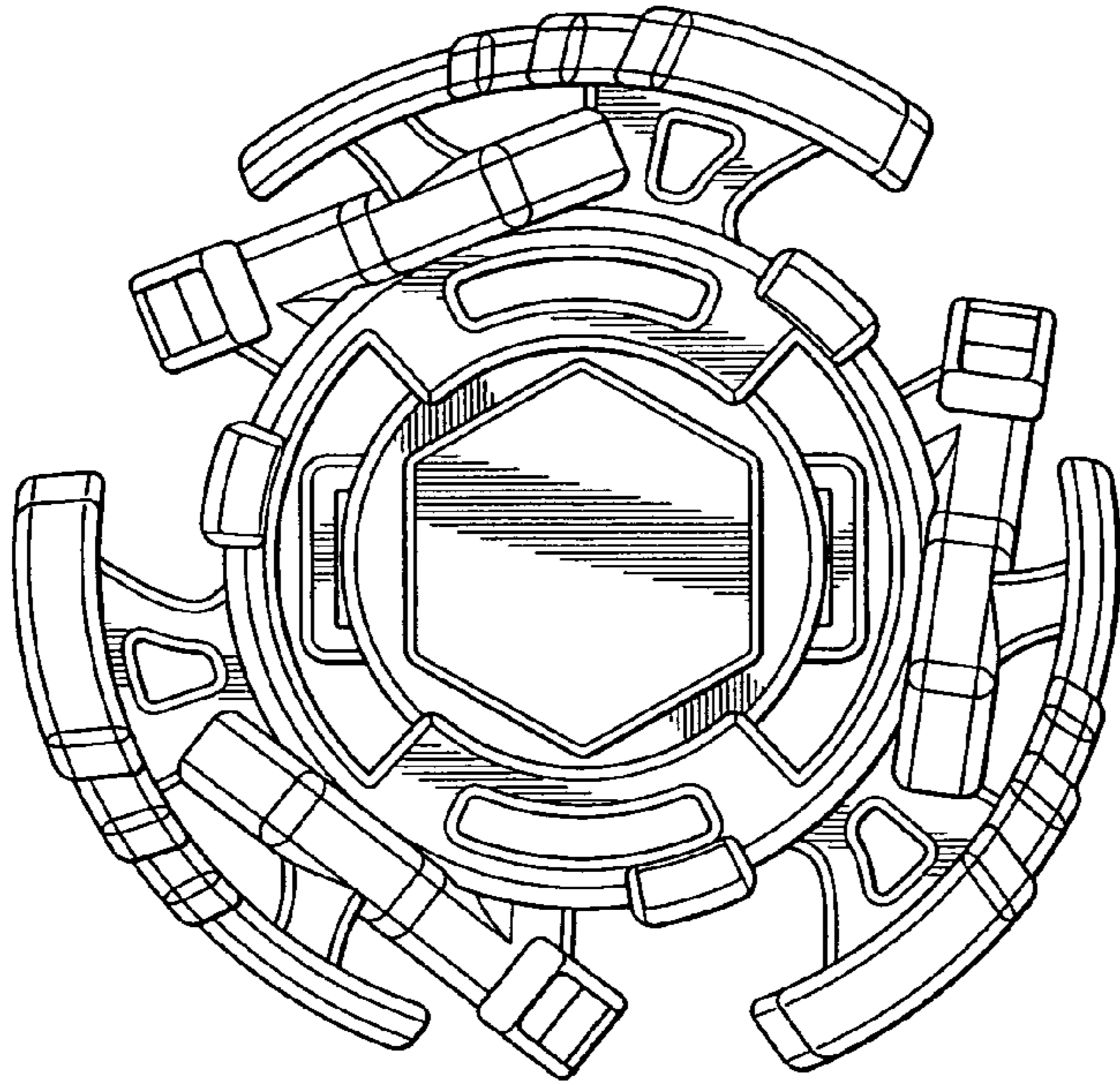


FIG. 5

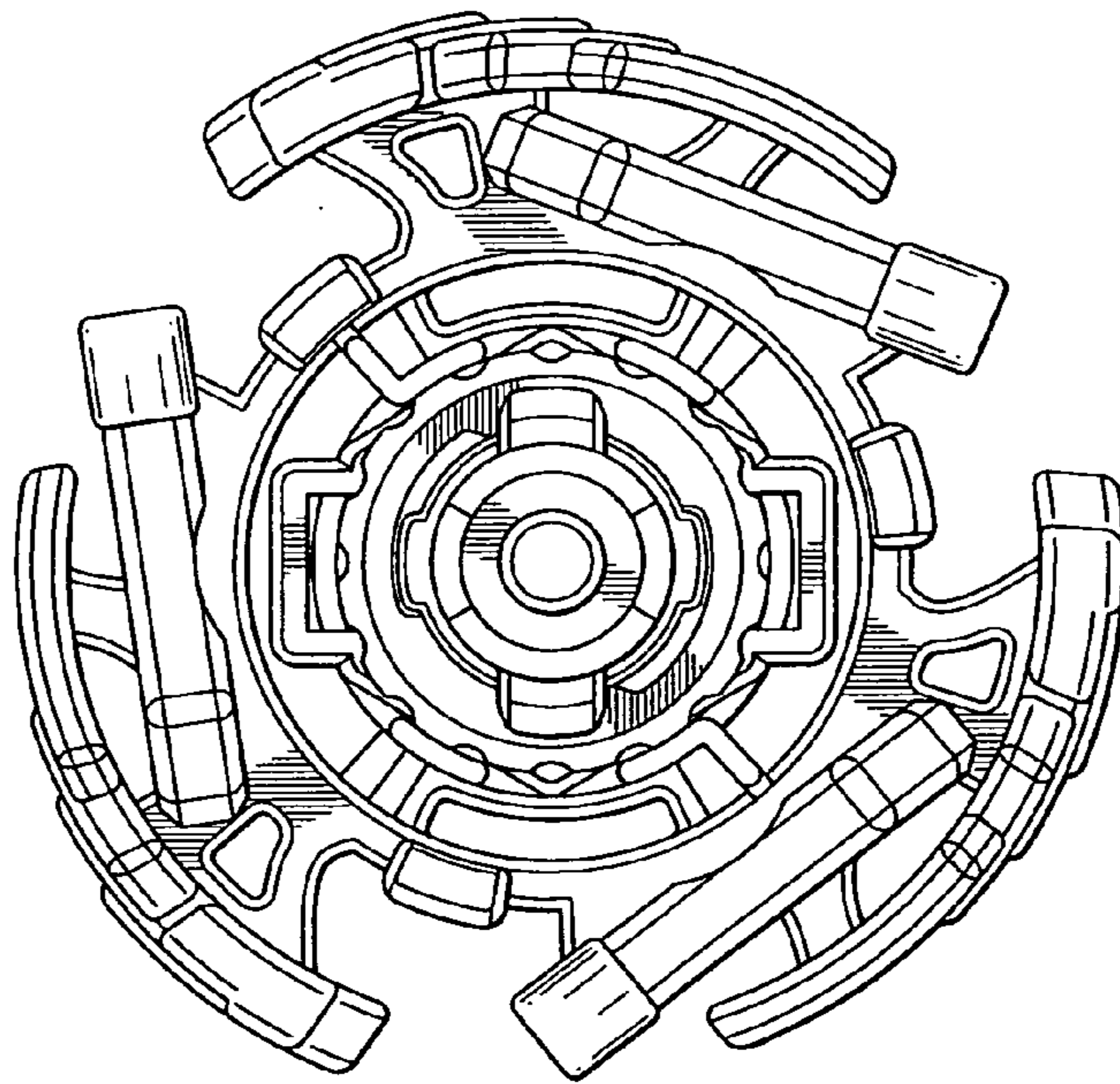


FIG. 6

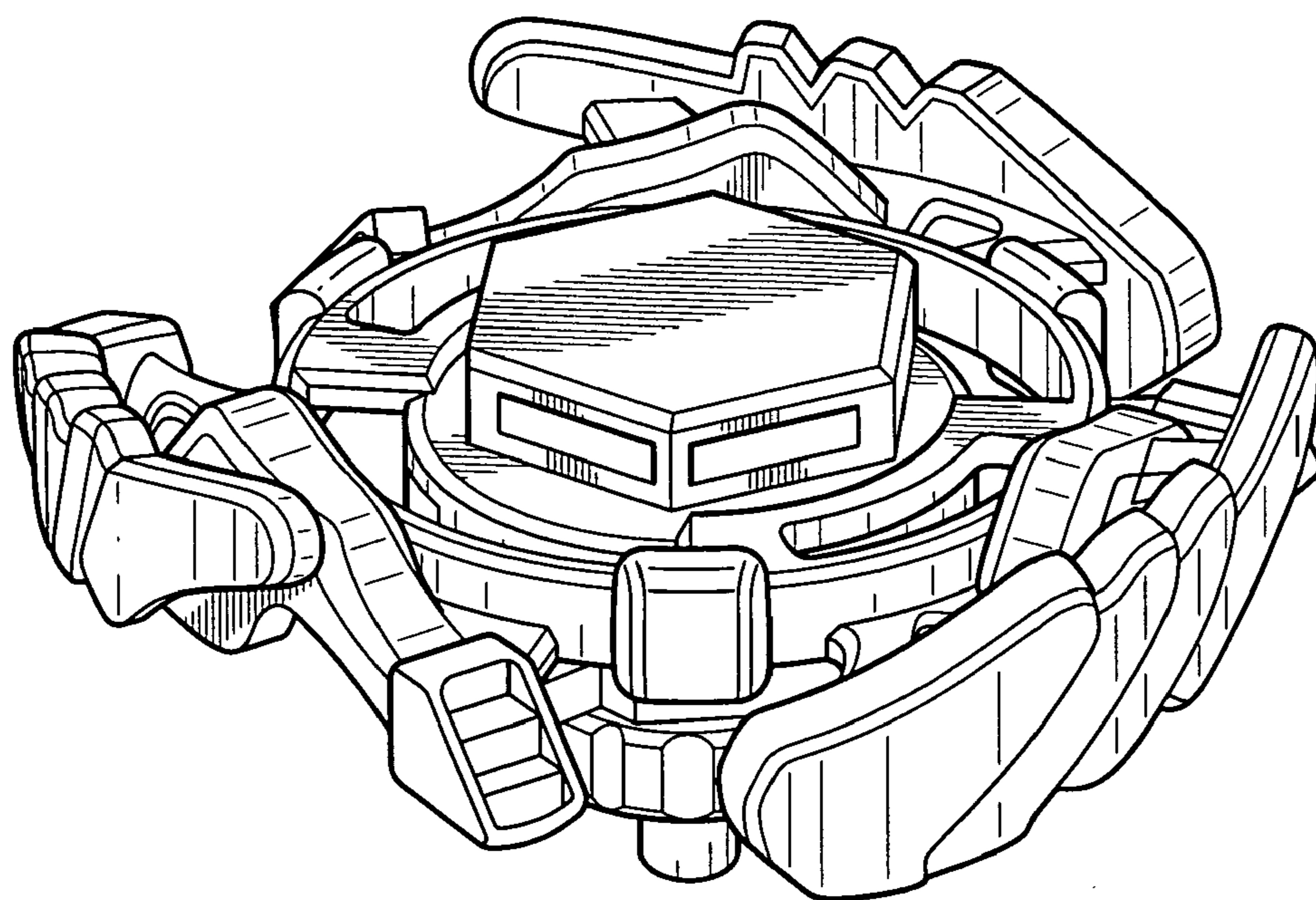


FIG. 7

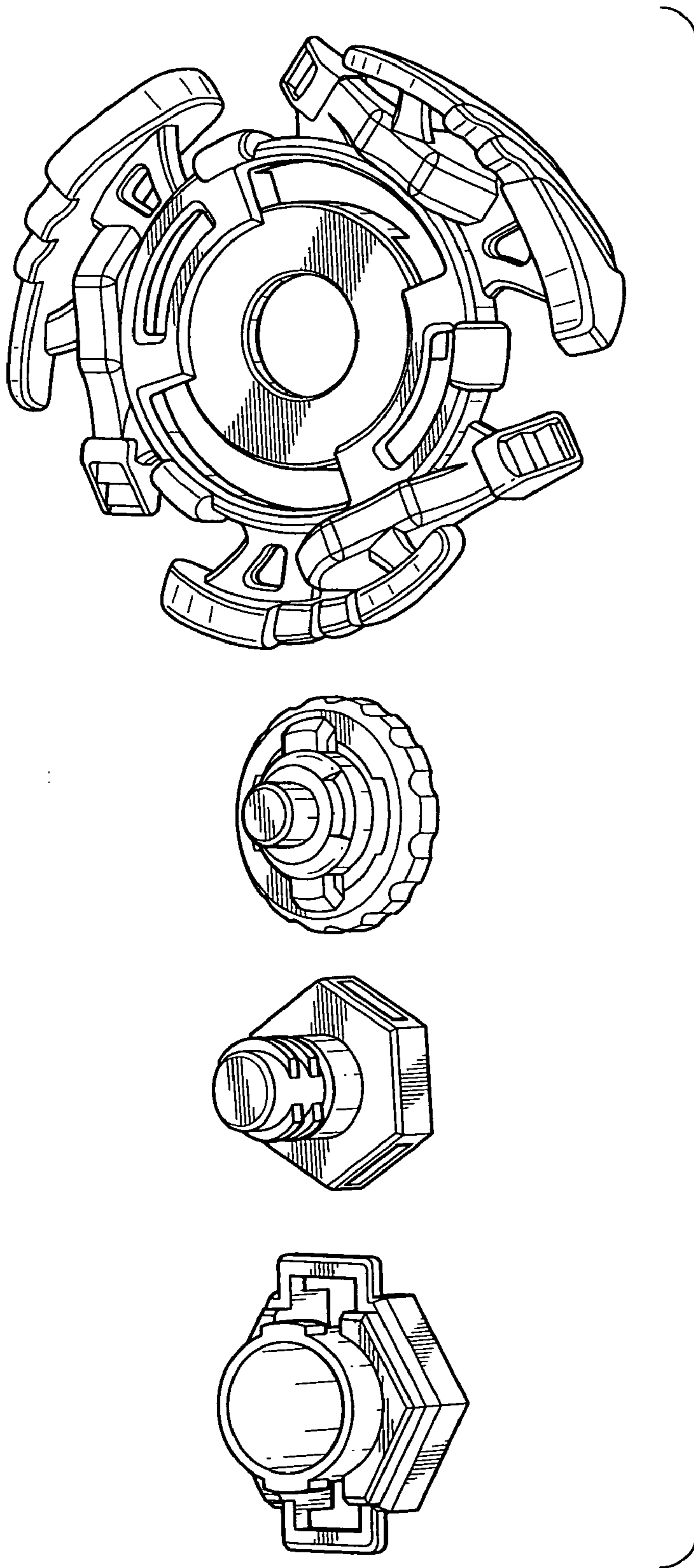


FIG. 8