



US00D610203S

(12) **United States Design Patent**
Takano et al.

(10) **Patent No.:** **US D610,203 S**
(45) **Date of Patent:** **** Feb. 16, 2010**

(54) **MANNEQUIN**
(75) Inventors: **Mariko Takano**, Tokyo (JP); **Midori Itou**, Tokyo (JP); **Saki Kawai**, Tokyo (JP)
(73) Assignee: **Kabushiki Kaisha Bandai**, Tokyo (JP)
(**) Term: **14 Years**
(21) Appl. No.: **29/300,916**
(22) Filed: **May 29, 2008**
(30) **Foreign Application Priority Data**
Feb. 8, 2008 (JP) 2008-002781

D277,397 S * 1/1985 Arthur D20/31
4,592,496 A * 6/1986 Nishi 223/68
4,763,390 A * 8/1988 Rooz 24/487
5,566,867 A * 10/1996 Goray 223/66
5,617,704 A * 4/1997 Stauber 53/430
5,893,587 A * 4/1999 Wong 283/98
D418,169 S * 12/1999 Pace D20/31
6,056,254 A * 5/2000 Albright et al. 248/230.1
6,089,424 A * 7/2000 Colquhoun 223/120
D467,619 S * 12/2002 Fullalove D20/31
6,491,995 B1 * 12/2002 Schreiner 428/40.1
D477,086 S * 7/2003 Tsuruda et al. D24/189
2003/0155262 A1 * 8/2003 Graham 206/459.5
2003/0184082 A1 * 10/2003 Bilble et al. 283/81
2006/0191174 A1 * 8/2006 Graham 40/306
2007/0245604 A2 * 10/2007 Graham 40/306

* cited by examiner

Primary Examiner—Janice E Seeger
Assistant Examiner—Mary Ann Calabrese
(74) *Attorney, Agent, or Firm*—Rabin & Berdo, PC

(51) **LOC (9) Cl.** **20-02**
(52) **U.S. Cl.** **D20/32**
(58) **Field of Classification Search** D20/10,
D20/17, 19, 22, 23, 25, 27, 28, 31, 32, 40,
D20/42, 99; 40/124.01, 124.09, 299.01,
40/306, 359, 360, 362, 584, 591, 638, 661.01,
40/661.09; D5/7; D6/316; D10/109; D24/189;
24/487; 53/430; 223/66-68, 71, 92, 93,
223/120; 206/459.5; 242/160.2; 283/56,
283/71, 81, 98; 428/40.1, 42.1-42.3, 194,
428/914

See application file for complete search history.

(56) **References Cited**
U.S. PATENT DOCUMENTS

942,660 A * 12/1909 OPverbury 242/160.2
1,039,763 A * 10/1912 Levine 223/68
1,160,420 A * 11/1915 Levin 223/68
1,983,040 A * 12/1934 Lyons 428/191
2,533,906 A * 12/1950 Akers 223/68
3,865,284 A * 2/1975 Kazama et al. 223/68
D242,092 S * 11/1976 Levin D20/31
4,195,787 A * 4/1980 Thomason 40/360
D256,255 S * 8/1980 Winn D20/32

(57) **CLAIM**

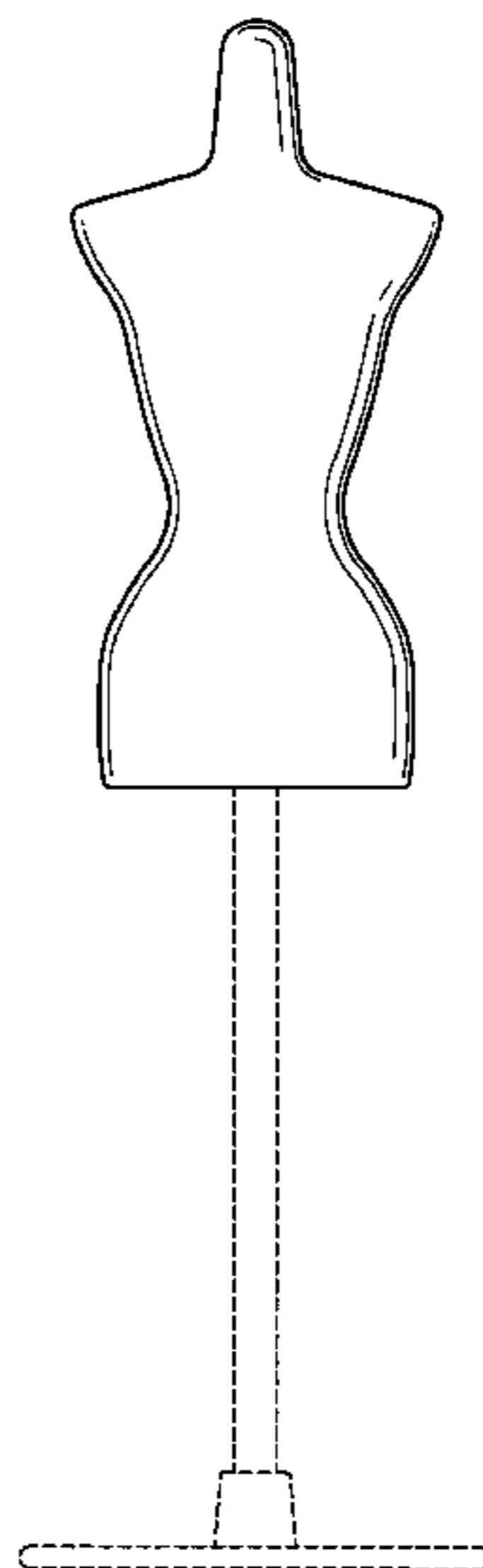
The ornamental design for a mannequin, as shown and described.

DESCRIPTION

FIG. 1 is a front view thereof,
FIG. 2 is a rear view thereof;
FIG. 3 is a right side view thereof;
FIG. 4 is a left side view thereof;
FIG. 5 is a top view thereof;
FIG. 6 is a bottom view thereof; and,
FIG. 7 is a perspective view thereof.

In the drawings, the broken lines of the stand illustrate environment, and the broken lines of the curved slit and rectangular box of FIG. 2 illustrate unclaimed subject matter, and form no part of the claimed design.

1 Claim, 6 Drawing Sheets



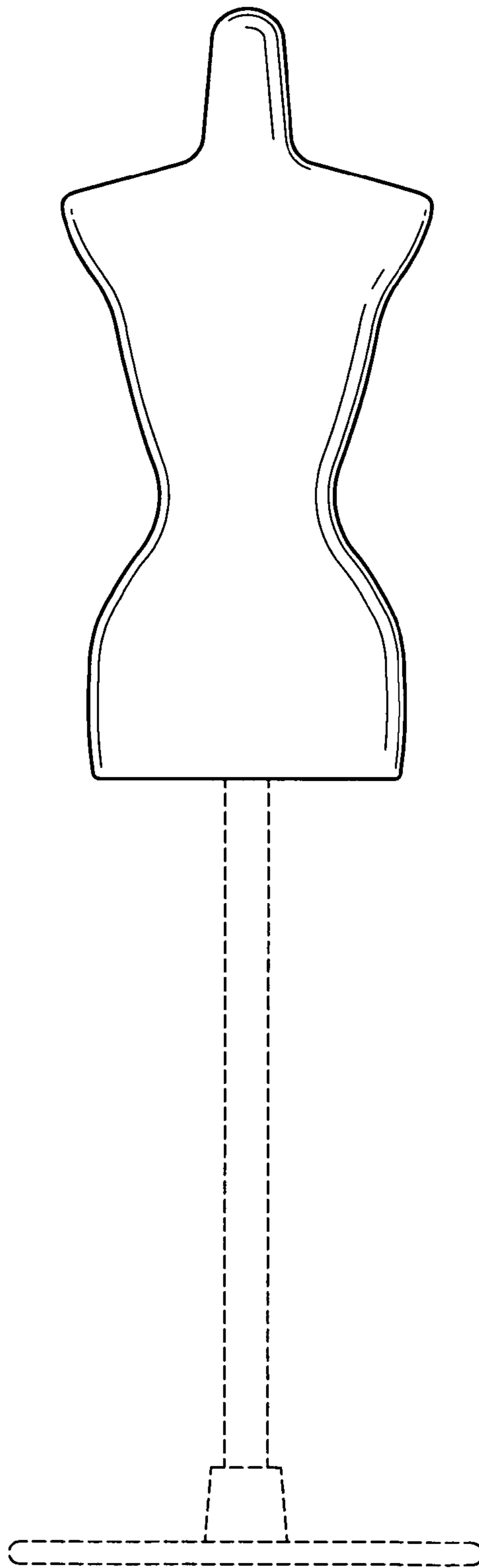


FIG. 1

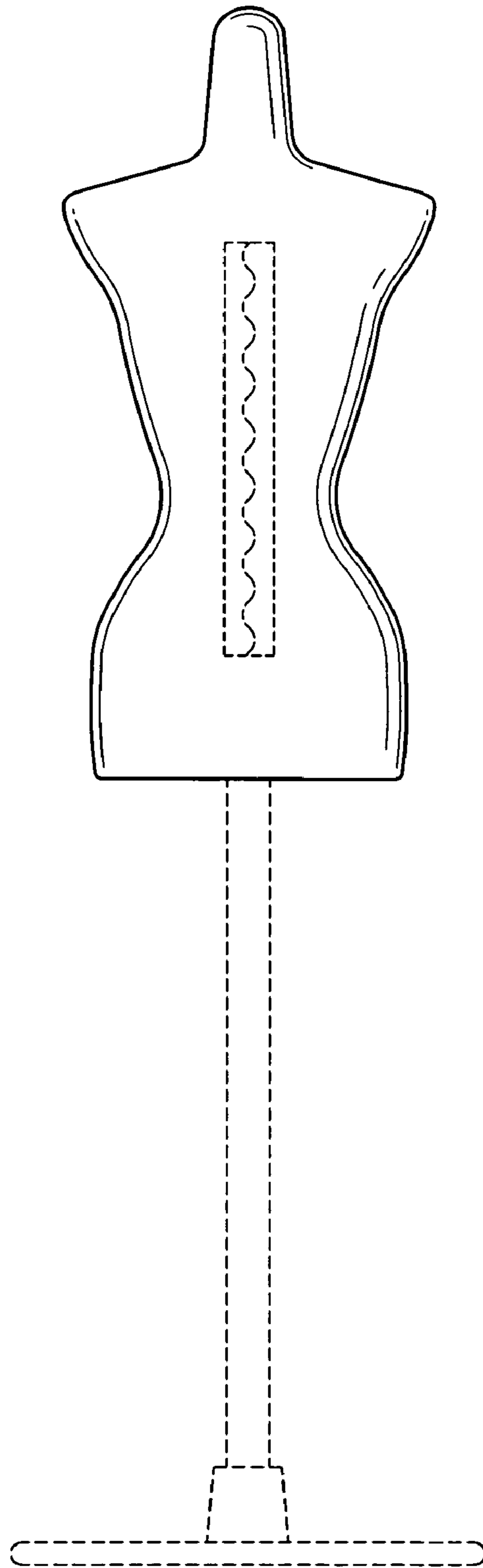


FIG. 2

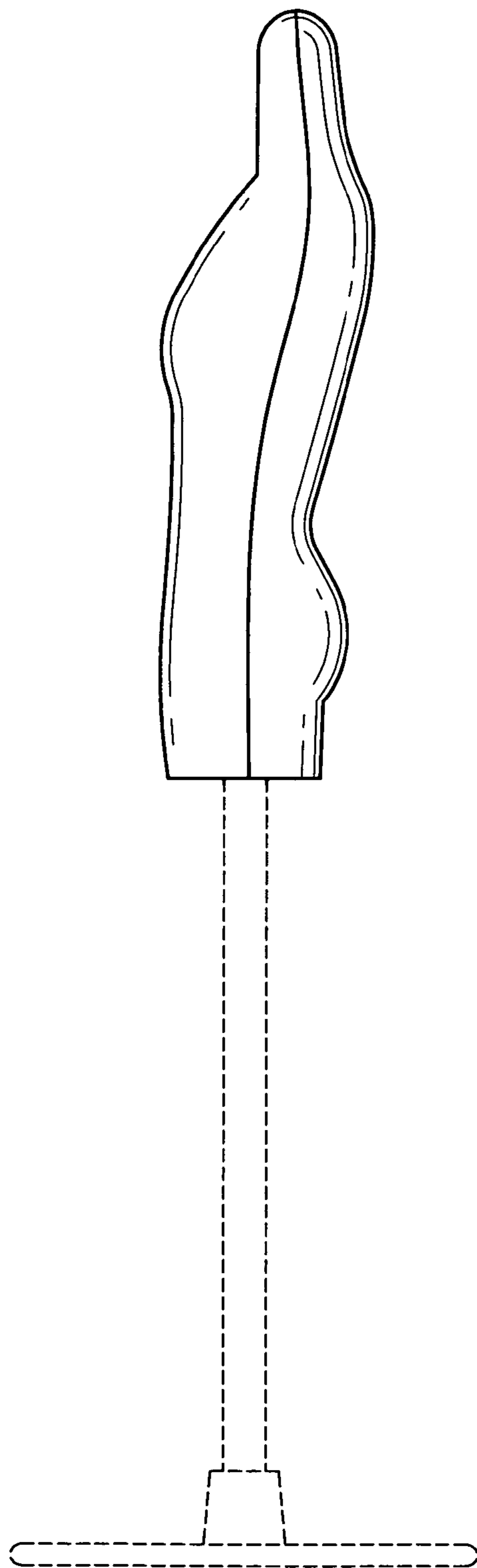


FIG. 3

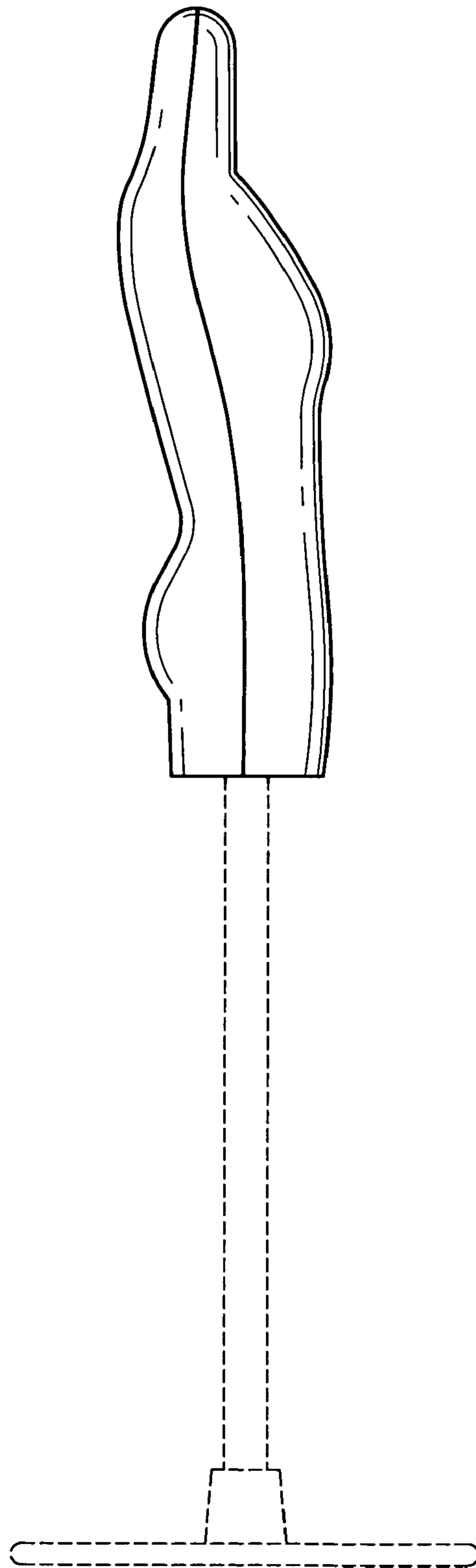


FIG. 4

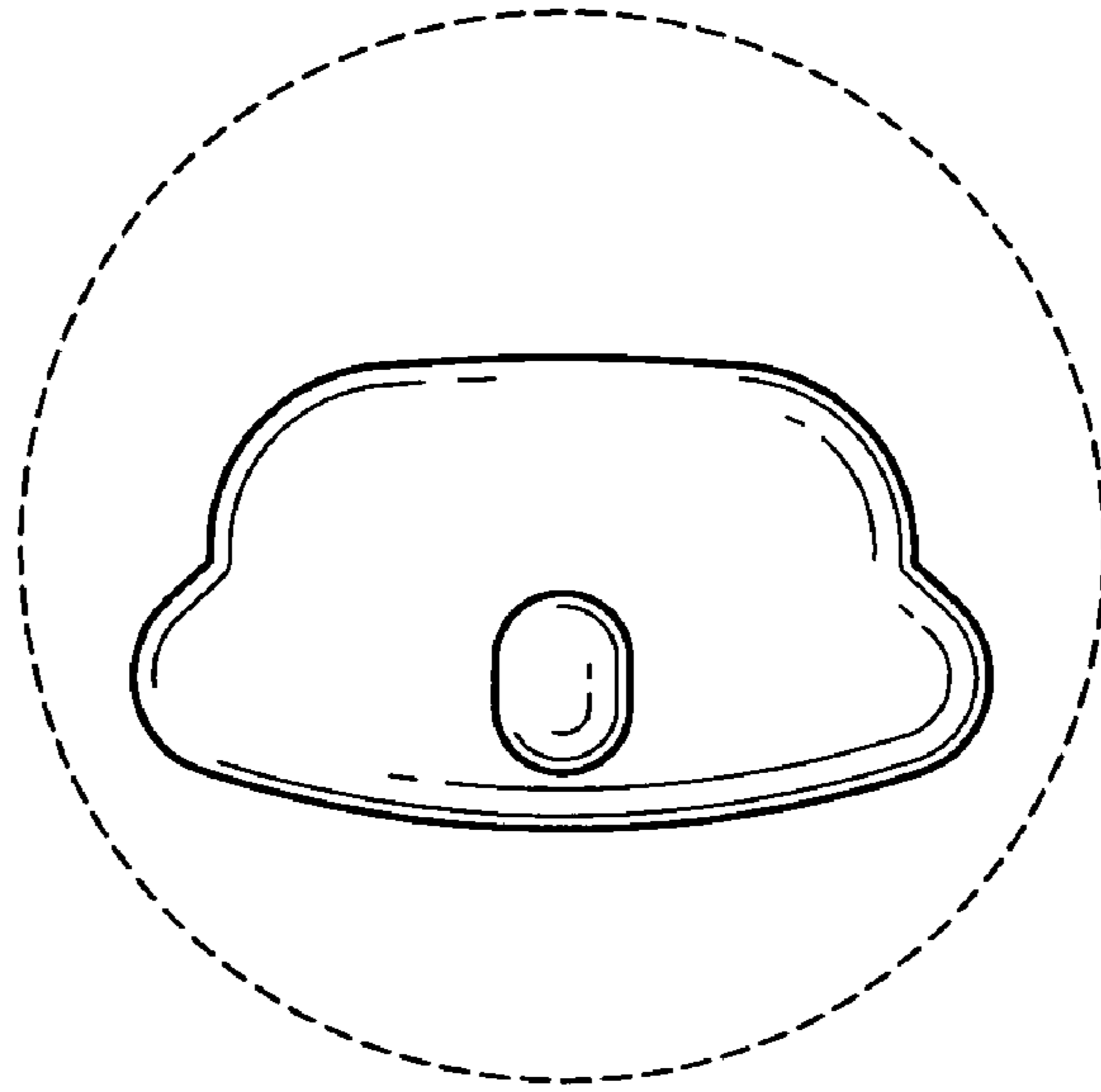


FIG. 5

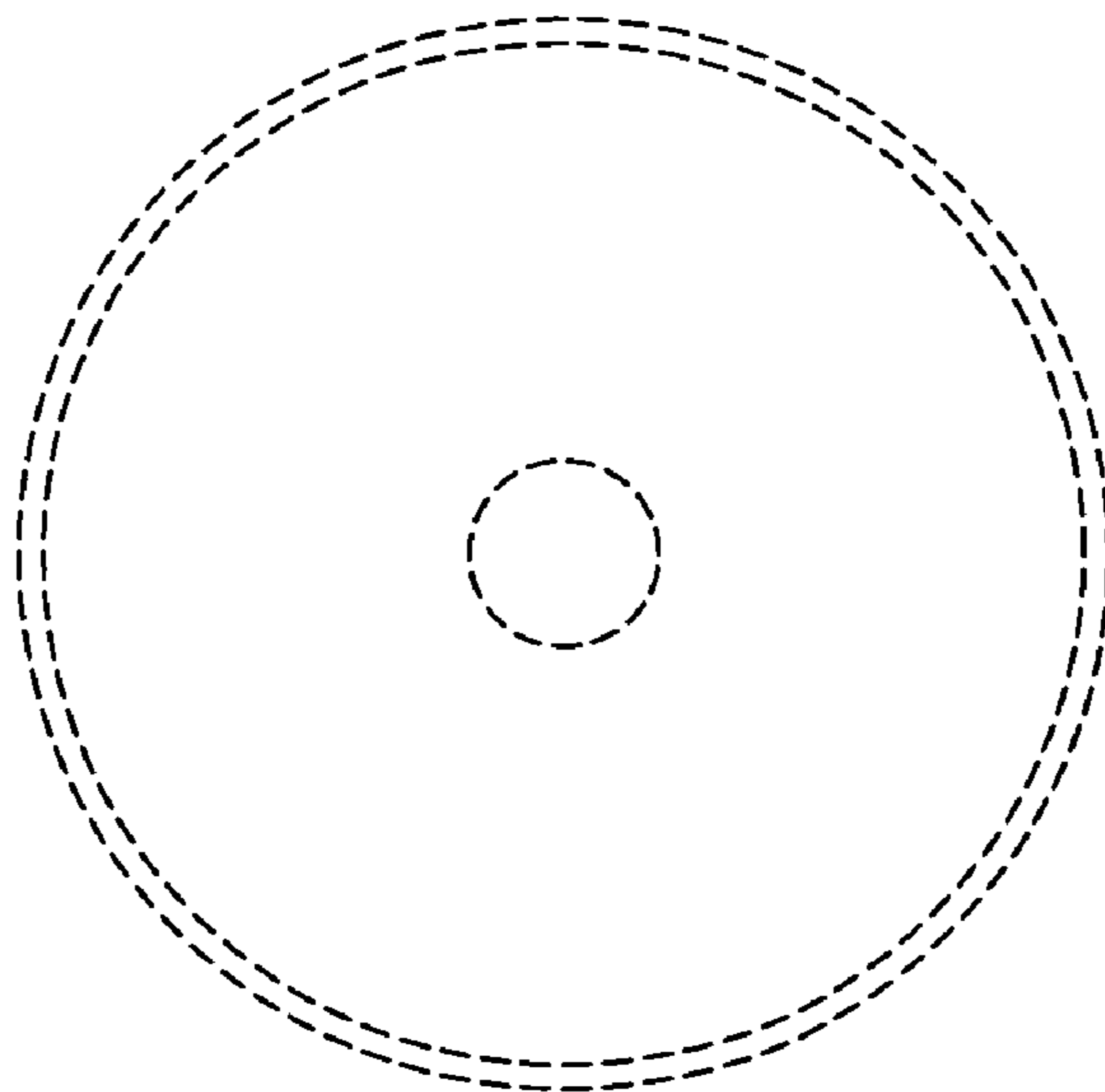


FIG. 6

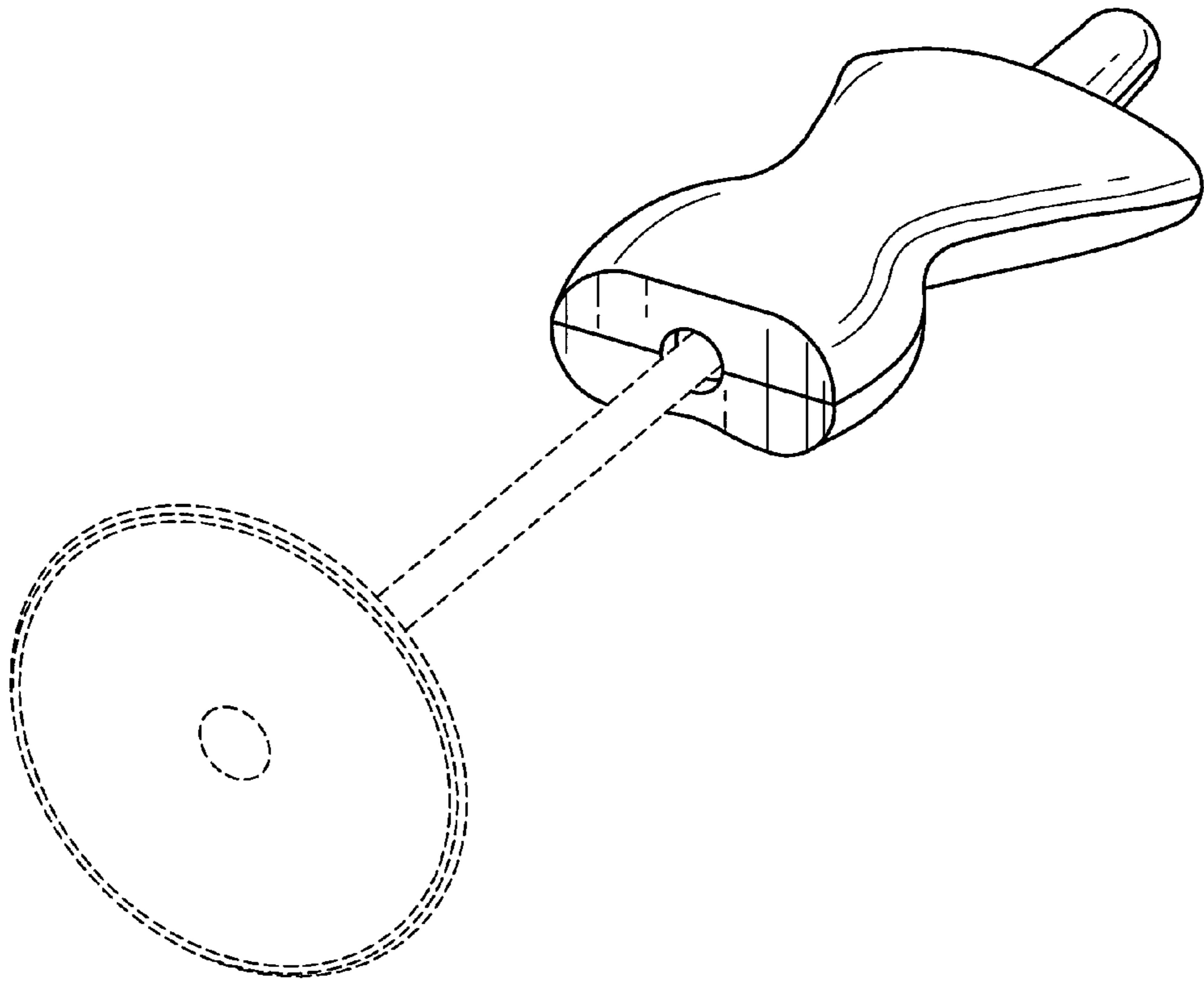


FIG. 7