



US00D610202S

(12) **United States Design Patent**
Katz

(10) **Patent No.:** **US D610,202 S**
(45) **Date of Patent:** **** Feb. 16, 2010**

(54) **REDEMPTION MACHINE DISPLAY TAG**

(76) Inventor: **David Katz**, 1975 Swarthmore Ave.,
Lakewood, NJ (US) 08701

(**) Term: **14 Years**

(21) Appl. No.: **29/309,605**

(22) Filed: **Sep. 9, 2008**

Related U.S. Application Data

(63) Continuation-in-part of application No. 29/274,191,
filed on Apr. 4, 2007.

(51) **LOC (9) Cl.** **19-08**

(52) **U.S. Cl.** **D20/22; D20/28**

(58) **Field of Classification Search** D20/10,
D20/11, 19, 22, 23, 27, 28, 40, 43, 99; 40/124.01,
40/124.09, 299.01, 359, 584, 591, 607.13–607.15,
40/617, 620, 638, 641, 647, 649, 661.01,
40/661.04, 661.09, 661.11, 662, 664–666,
40/673; D8/367; D9/443; D10/109; D19/65,
D19/100; D21/484; 24/66.2, 67 R; 206/343,
206/346, 459.5; 283/56, 71, 80, 81; 428/40.1,
428/42.1–42.3, 542.2, 914

See application file for complete search history.

(56) **References Cited**

U.S. PATENT DOCUMENTS

172,759	A *	1/1876	Mentzel	402/79
312,035	A *	2/1885	Stetson	24/67 R
458,117	A *	8/1891	De Long	229/305
D28,619	S *	5/1898	McFadden	D20/22
773,317	A *	10/1904	Funke	5/122
1,315,321	A *	9/1919	Moran	346/144
1,496,266	A *	6/1924	Groth	40/665
1,832,239	A *	11/1931	Pedersen	312/184
2,118,280	A *	5/1938	Wilson	40/647
2,307,181	A *	1/1943	Young	383/22
2,987,695	A *	6/1961	Jensen et al.	439/551
3,395,577	A *	8/1968	Melville	73/170.03
3,977,050	A *	8/1976	Perez	206/346
D249,326	S *	9/1978	Johanson	D8/367

4,111,347	A *	9/1978	Bone	227/68
4,234,090	A *	11/1980	Barbieri et al.	206/459.5
4,267,654	A *	5/1981	Sato	40/649
4,288,017	A *	9/1981	Russell	227/67
4,347,932	A *	9/1982	Furutu	206/343
4,399,918	A *	8/1983	Clements	211/113

(Continued)

OTHER PUBLICATIONS

No. 6 and No. 7 Paper Single Suspension Rings—p. 76, Dennison Manufacturing Company 1909 Stationers Catalogue Tags and Specialties © 1909, by Dennison Manufacturing Company.*

Primary Examiner—Janice E Seeger

Assistant Examiner—Mary Ann Calabrese

(74) *Attorney, Agent, or Firm*—The Nath Law Group; Derek Richmond

(57) **CLAIM**

The ornamental design for a redemption machine display tag, as shown and described.

DESCRIPTION

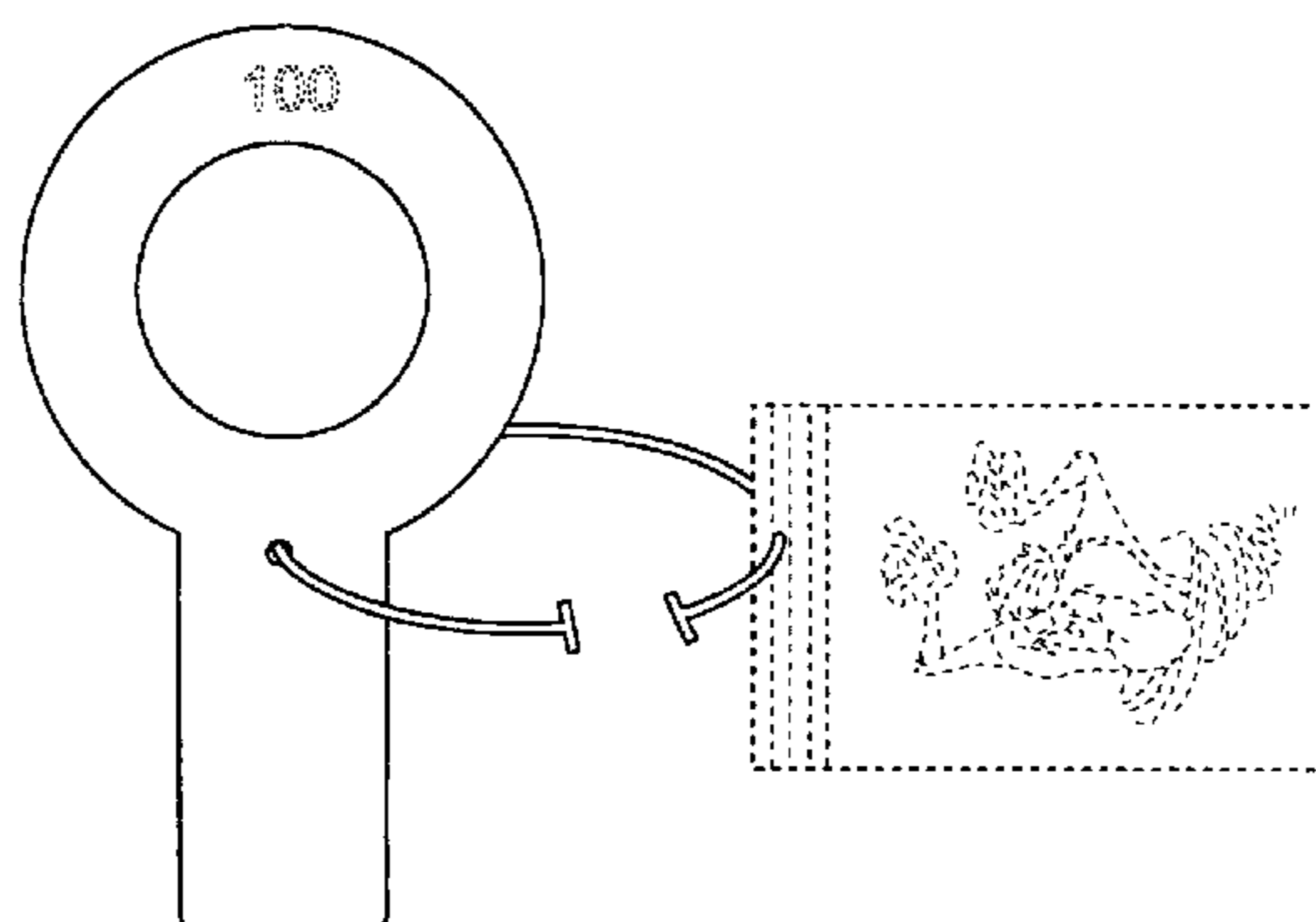
FIG. 1 is a front view of the redemption machine display tag; FIG. 2 is a rear view of the redemption machine display tag shown in FIG. 1;

FIG. 3 is an isometric view of the redemption machine display tag shown in FIG. 1; and,

FIG. 4 is a side view of the redemption machine display tag shown in FIG. 1.

In the drawings, the broken lines represent portions of the redemption machine display tag that form no part of the claimed design.

1 Claim, 1 Drawing Sheet



US D610,202 S

Page 2

U.S. PATENT DOCUMENTS									
5,046,221	A *	9/1991	Walker	24/66.2	6,248,451	B1 *	6/2001	Smith	428/542.2
5,413,502	A *	5/1995	Wang	439/551	6,289,616	B1 *	9/2001	Alvern	40/299.01
D359,756	S *	6/1995	Ely	D20/28	6,606,029	B1 *	8/2003	Okamura	340/572.8
D365,024	S *	12/1995	DuBow	D9/434	6,986,219	B1 *	1/2006	Raia	40/359
5,868,430	A *	2/1999	Kolosvary	283/80	D527,056	S *	8/2006	Manville	D21/484
					7,129,389	B1 *	10/2006	Watson	602/48

* cited by examiner

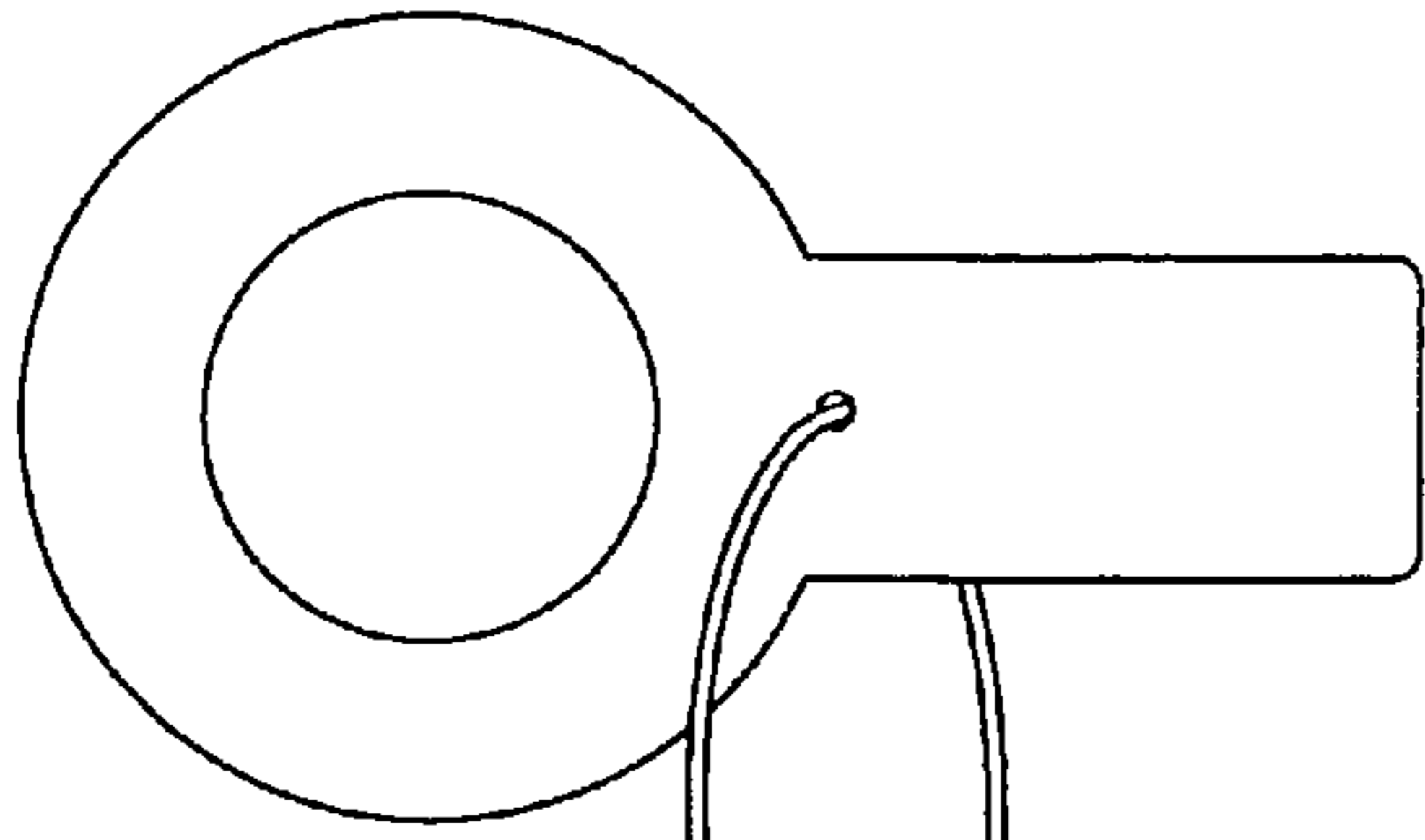


FIG. 2

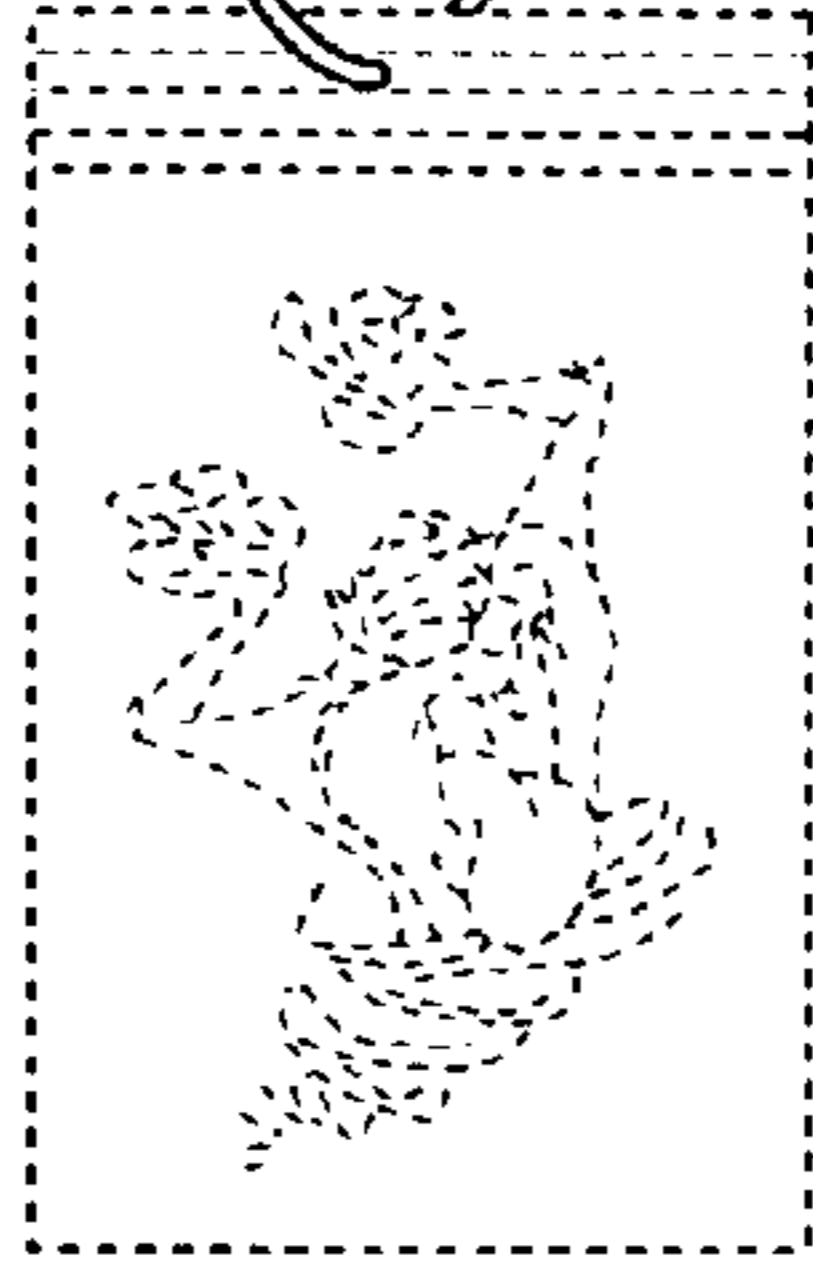


FIG. 1

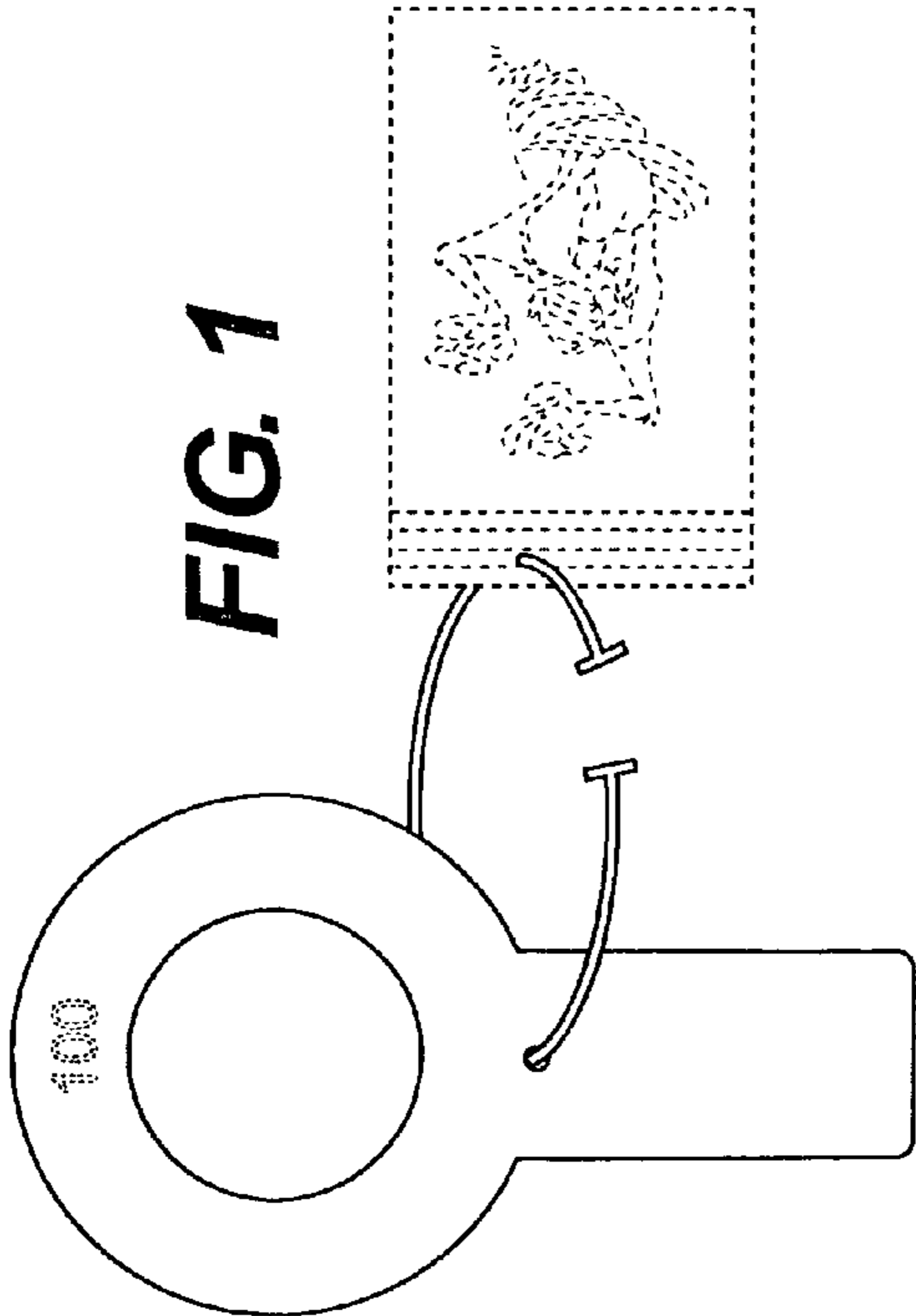


FIG. 3

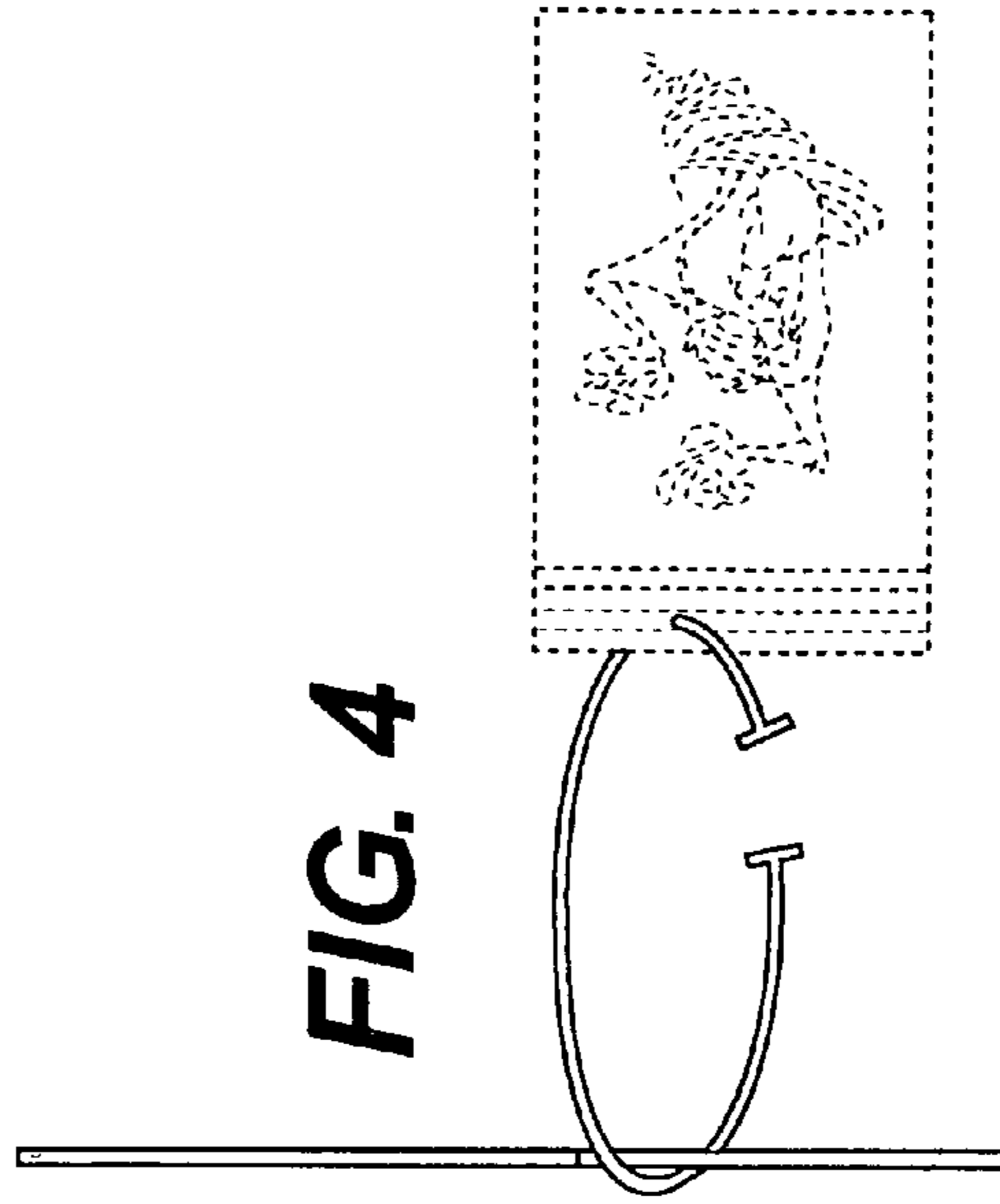


FIG. 4