



US00D610200S

(12) **United States Design Patent**  
**Liang**

(10) **Patent No.:** **US D610,200 S**

(45) **Date of Patent:** **\*\* Feb. 16, 2010**

(54) **HOLDER FOR REPOSITIONABLE NOTES**

(75) Inventor: **Hong Liang**, Zhejiang (CN)

(73) Assignee: **Ningbo Power Stationery & Promotion Industry Co., Ltd.** (CN)

(\*\*) Term: **14 Years**

(21) Appl. No.: **29/340,702**

(22) Filed: **Jul. 23, 2009**

(51) **LOC (9) Cl.** ..... **19-02**

(52) **U.S. Cl.** ..... **D19/86**

(58) **Field of Classification Search** ..... D3/273,  
D3/294, 295; D6/632, 634; D19/26-31,  
D19/65, 75, 78, 86-92; 206/39, 214, 215,  
206/425, 555; D9/423, 432

See application file for complete search history.

(56) **References Cited**

**U.S. PATENT DOCUMENTS**

D221,626	S	*	8/1971	Fine	.....	D9/423
D254,775	S	*	4/1980	Falk	.....	D9/432
D278,207	S	*	4/1985	McLaughlin	.....	D3/203.2
D294,774	S	*	3/1988	Kitada	.....	D6/631
4,928,814	A	*	5/1990	Rondot et al.	.....	206/215
D368,657	S	*	4/1996	Newell	.....	D9/432
D397,045	S	*	8/1998	Almonte	.....	D10/65
D397,870	S	*	9/1998	De Winter	.....	D3/294
D412,261	S	*	7/1999	Roth et al.	.....	D6/632
D417,812	S	*	12/1999	Rubin	.....	D6/632
5,996,778	A	*	12/1999	Shih	.....	206/45.2
6,227,362	B1	*	5/2001	Cheung	.....	206/308.1
D465,960	S	*	11/2002	Yau	.....	D6/632
D477,143	S	*	7/2003	Nagata et al.	.....	D3/294
D481,251	S	*	10/2003	Yau	.....	D6/632
D503,195	S	*	3/2005	de la Rosa Luna Parra	..	D19/26
D508,813	S	*	8/2005	Sankey et al.	.....	D6/632

D510,264	S	*	10/2005	Tilley et al.	.....	D9/432
D526,780	S	*	8/2006	Richardson et al.	.....	D3/273
D554,703	S	*	11/2007	Josephson	.....	D19/86
D557,053	S	*	12/2007	Osborn et al.	.....	D6/632
D562,049	S	*	2/2008	Abolfazlian	.....	D6/632
D567,564	S	*	4/2008	Sankey et al.	.....	D6/632
D569,674	S	*	5/2008	Okura et al.	.....	D6/632
D572,964	S	*	7/2008	Gelardi et al.	.....	D6/634
D586,602	S	*	2/2009	Sankey et al.	.....	D6/632
2001/0032792	A1	*	10/2001	Cheung	.....	206/308.1
2001/0047947	A1	*	12/2001	Lau	.....	206/310
2008/0142540	A1	*	6/2008	Chang	.....	221/259

\* cited by examiner

*Primary Examiner*—Elizabeth A Albert

(74) *Attorney, Agent, or Firm*—St. Onge Steward Johnston & Reens LLC

(57) **CLAIM**

The ornamental design for a holder for repositionable notes, as shown and described.

**DESCRIPTION**

FIG. 1 is a top view of a holder for repositionable notes in accordance with the new design;

FIG. 2 is a rear view thereof;

FIG. 3 is a front view thereof;

FIG. 4 is a bottom view thereof;

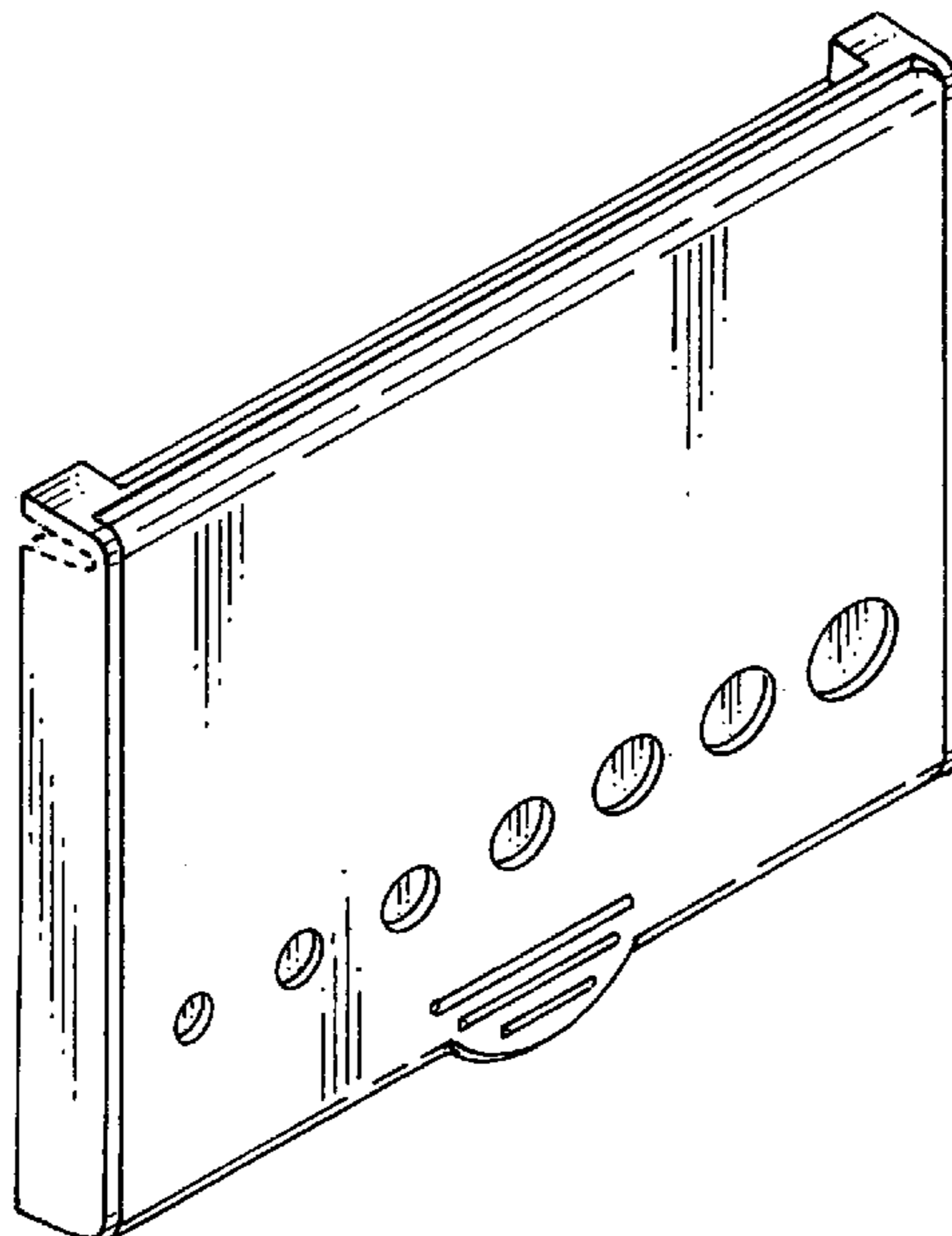
FIG. 5 is a right side view thereof, the left side being a mirror image thereof;

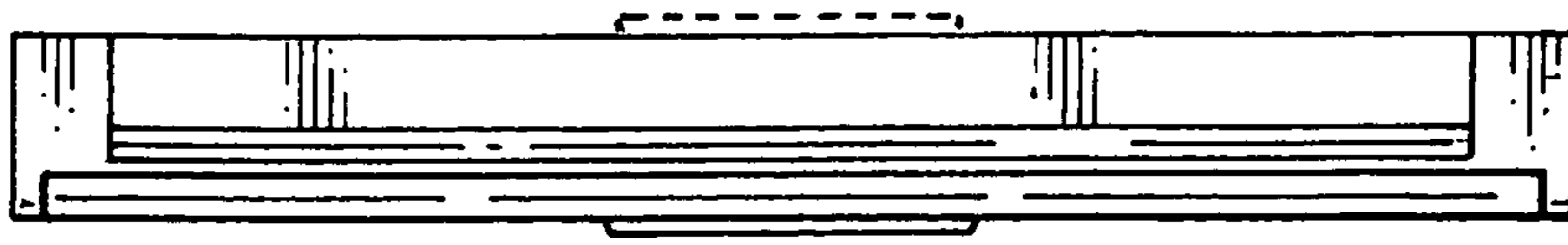
FIG. 6 is a top isometric view thereof; and,

FIG. 7 is a bottom isometric view thereof.

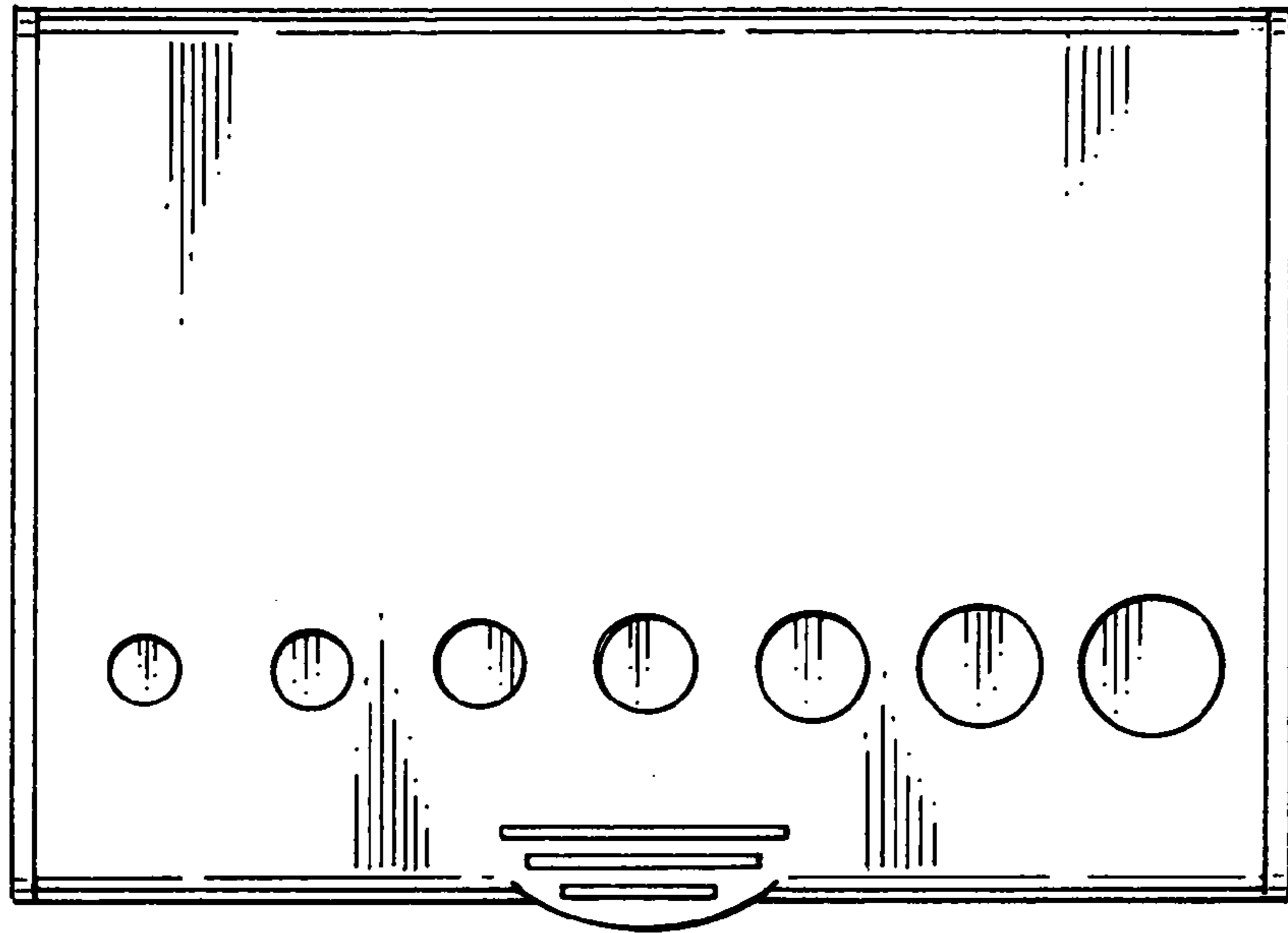
The broken lines shown in FIGS. 2 to 7, which define the bounds of the claimed design, form no part thereof.

**1 Claim, 2 Drawing Sheets**

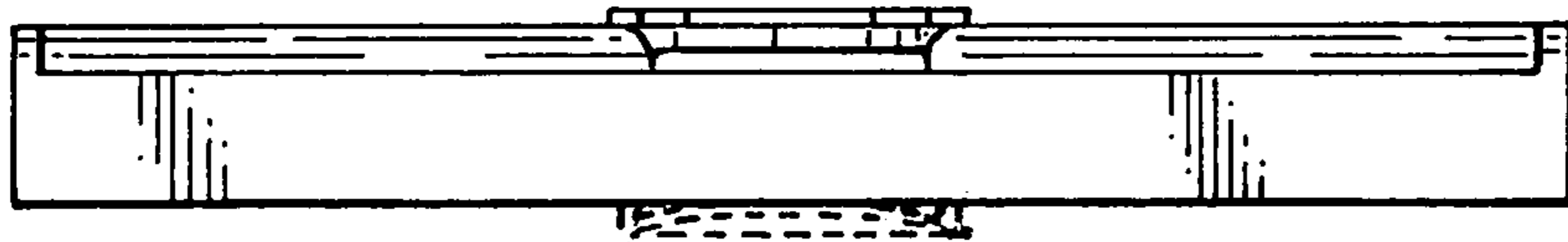




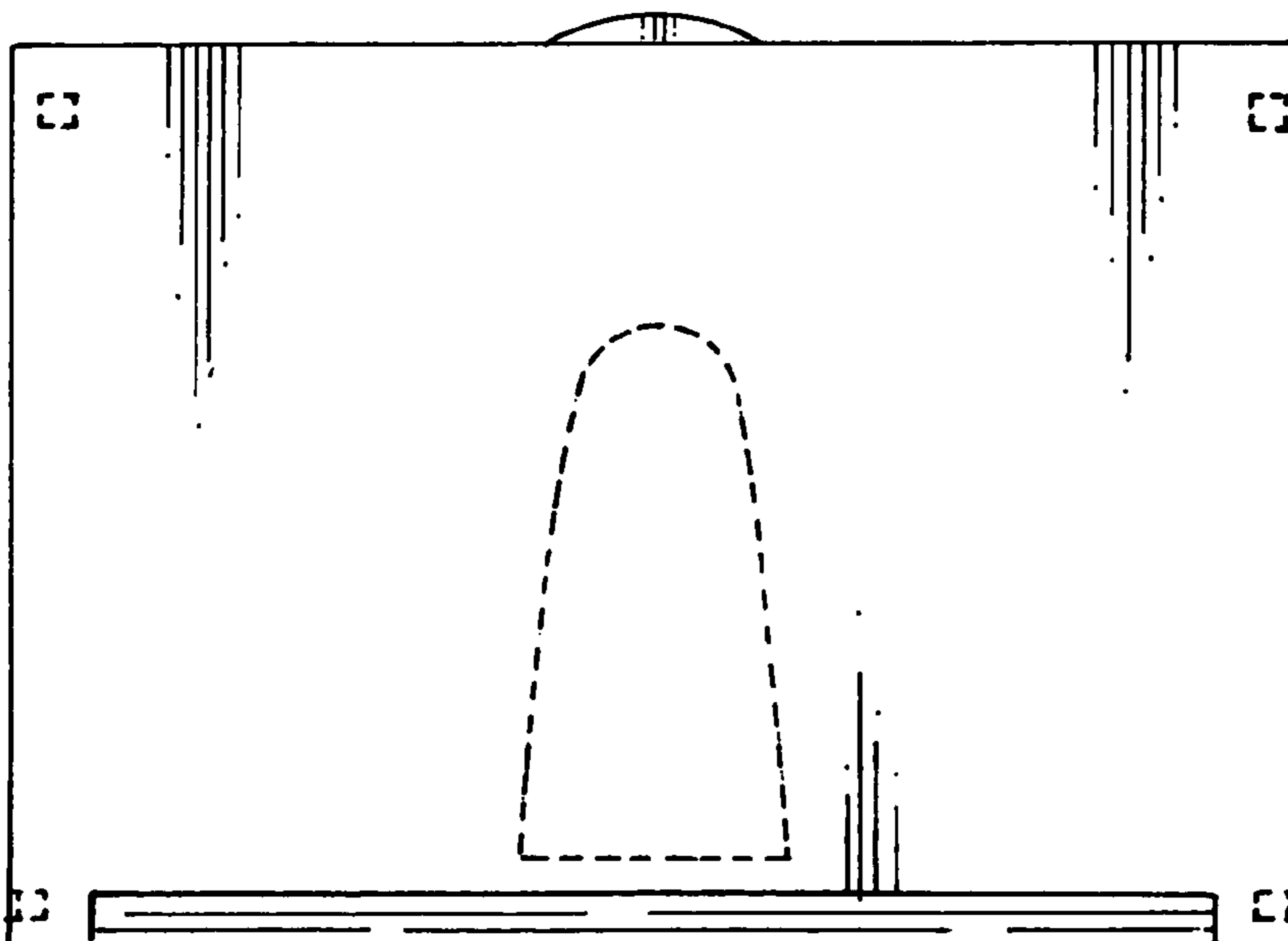
*FIG. 2*



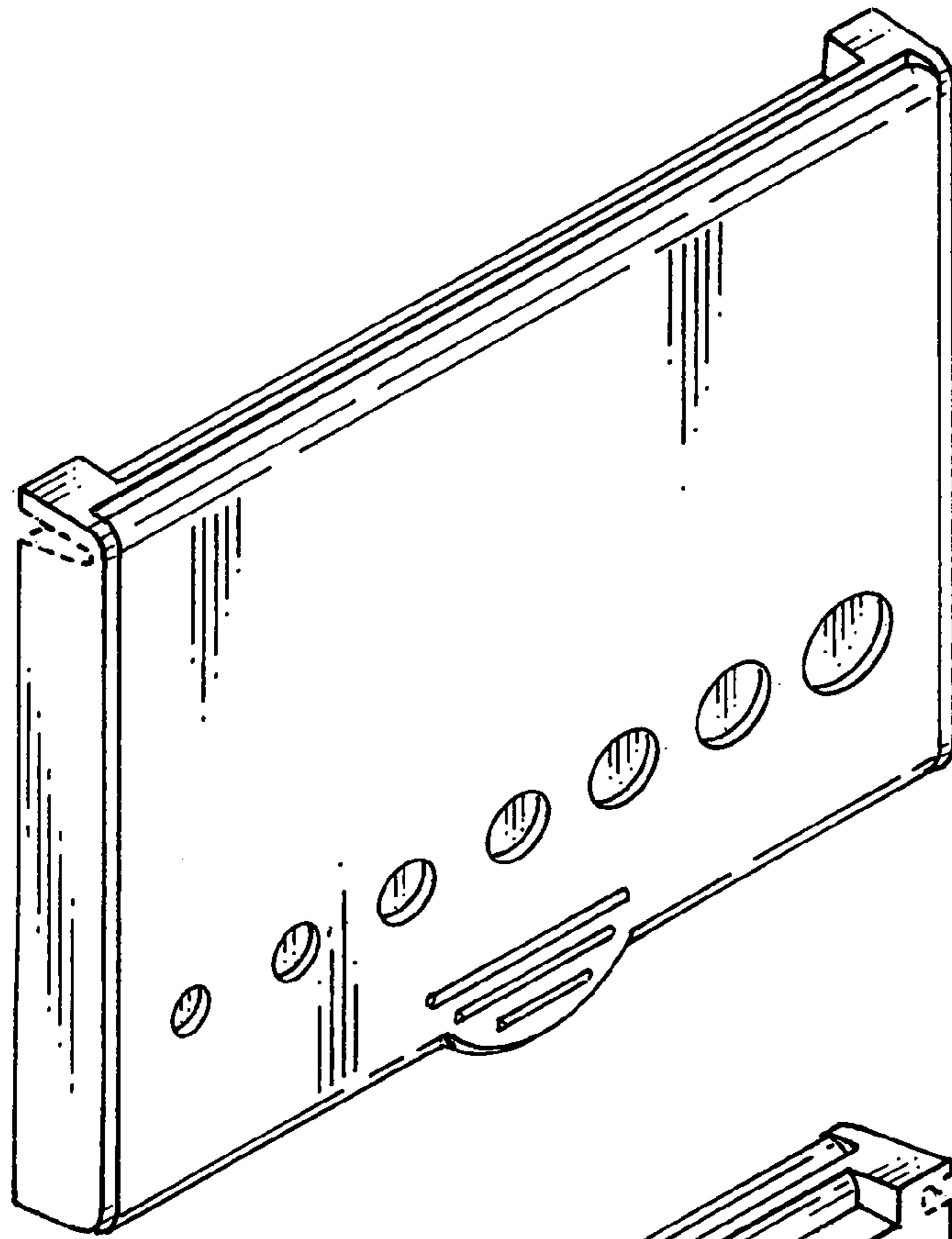
*FIG. 1*



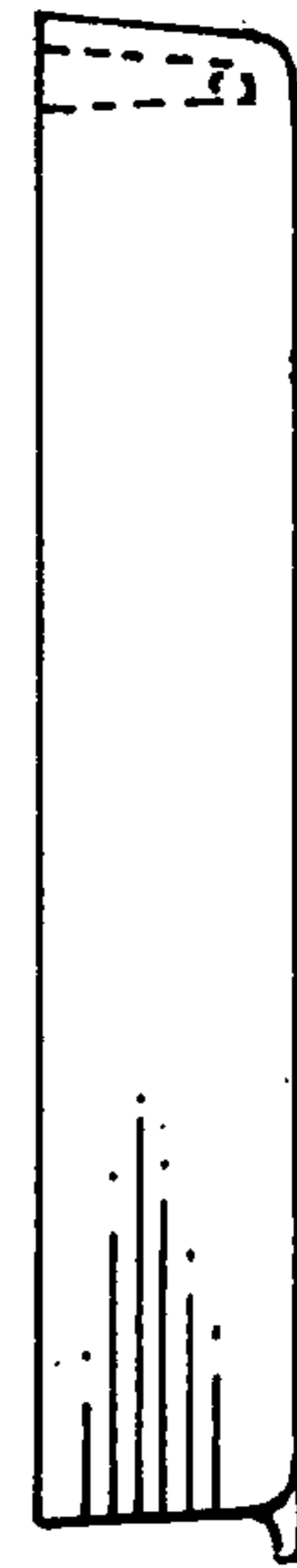
*FIG. 3*



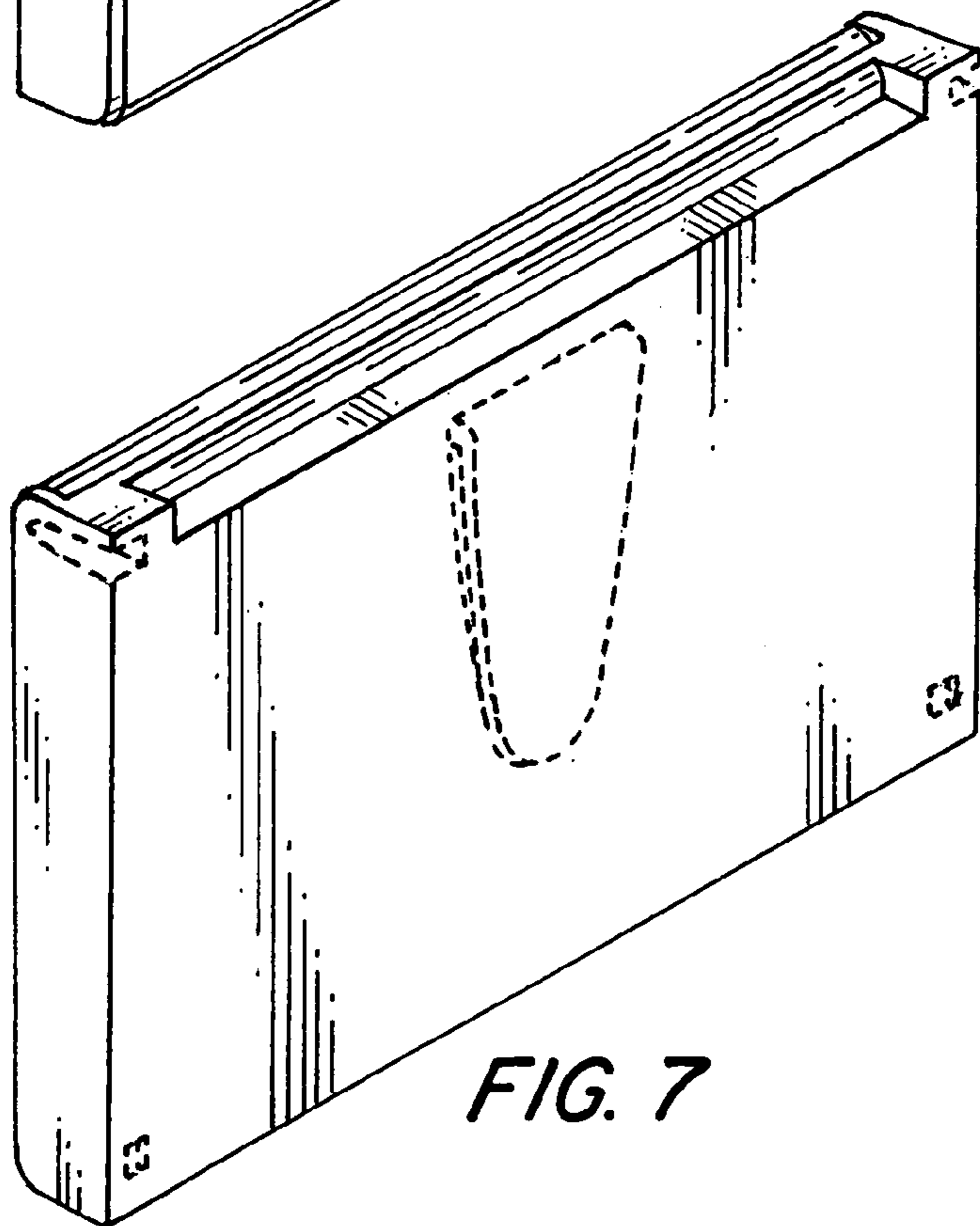
*FIG. 4*



*FIG. 6*



*FIG. 5*



*FIG. 7*