



US00D610199S

(12) **United States Design Patent**
Liang

(10) **Patent No.:** **US D610,199 S**

(45) **Date of Patent:** **** Feb. 16, 2010**

(54) **HOLDER FOR PAPER ACCESSORIES**

(75) Inventor: **Hong Liang**, Zhejiang (CN)

(73) Assignee: **Ningbo Power Stationery & Promotion Industry Co., Ltd.** (CN)

(**) Term: **14 Years**

(21) Appl. No.: **29/340,696**

(22) Filed: **Jul. 23, 2009**

(51) **LOC (9) Cl.** **19-02**

(52) **U.S. Cl.** **D19/86**

(58) **Field of Classification Search** D3/304,
D3/313, 314; D6/475, 512, 525, 553; D19/65,
D19/75, 78, 86-92; 206/214, 215, 425, 555
See application file for complete search history.

(56) **References Cited**

U.S. PATENT DOCUMENTS

320,814	A *	6/1885	Pollard	220/786
601,144	A *	3/1898	Howe	221/59
D93,330	S *	9/1934	Cutler	D6/570
D113,402	S *	2/1939	Schram	D3/266
2,233,725	A *	3/1941	Begin et al.	211/119.1
2,284,501	A *	5/1942	Welch	108/43
3,858,791	A *	1/1975	Gendron	229/72
4,250,601	A *	2/1981	Ward	24/570
D267,808	S *	2/1983	Russo	D19/78
4,819,792	A *	4/1989	Christian	206/45.25
D307,445	S *	4/1990	Greenhut et al.	D19/78
D310,760	S *	9/1990	Murphy	D6/515

D337,016	S *	7/1993	Fortescue	D6/567
D347,134	S *	5/1994	Bruggeman	D6/515
D393,490	S *	4/1998	Burch	D20/43
D442,803	S *	5/2001	Hatch	D6/449
7,014,042	B2 *	3/2006	Lane	206/467
2003/0217936	A1 *	11/2003	Nourian	206/39
2004/0016653	A1 *	1/2004	Hage	206/39

* cited by examiner

Primary Examiner—Elizabeth A Albert

(74) *Attorney, Agent, or Firm*—St. Onge Steward Johnston & Reens LLC

(57) **CLAIM**

The ornamental design for a holder for paper accessories, as shown and described.

DESCRIPTION

FIG. 1 is a front view of a holder for paper accessories in accordance with the new design;

FIG. 2 is a bottom view thereof;

FIG. 3 is a left side view thereof, the right side being a mirror image thereof;

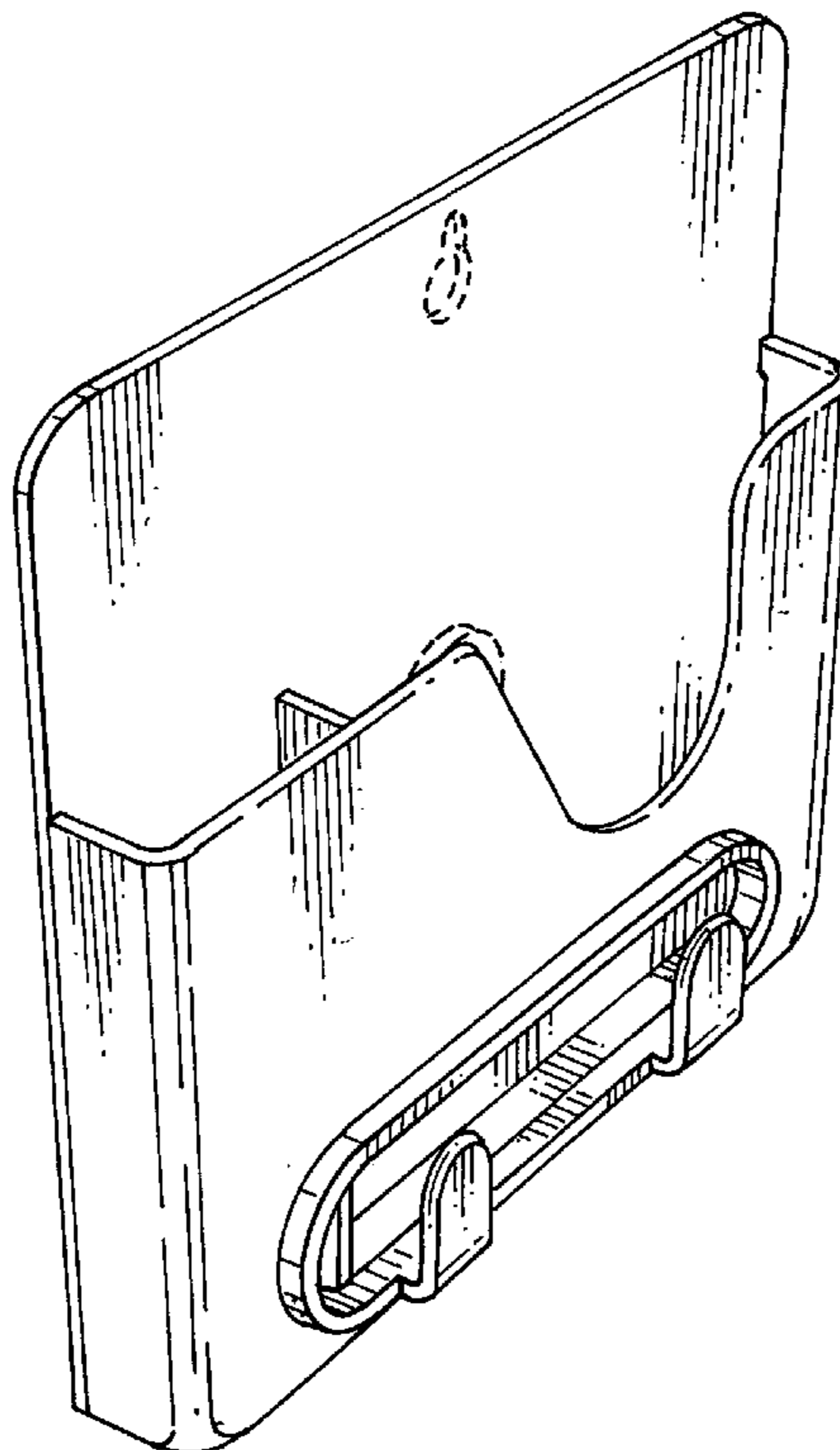
FIG. 4 is a rear view thereof;

FIG. 5 is a top view thereof; and,

FIG. 6 is a front isometric view thereof.

The broken lines shown in FIGS. 1 and 3 to 6, which define the bounds of the claimed design, form no part thereof.

1 Claim, 3 Drawing Sheets



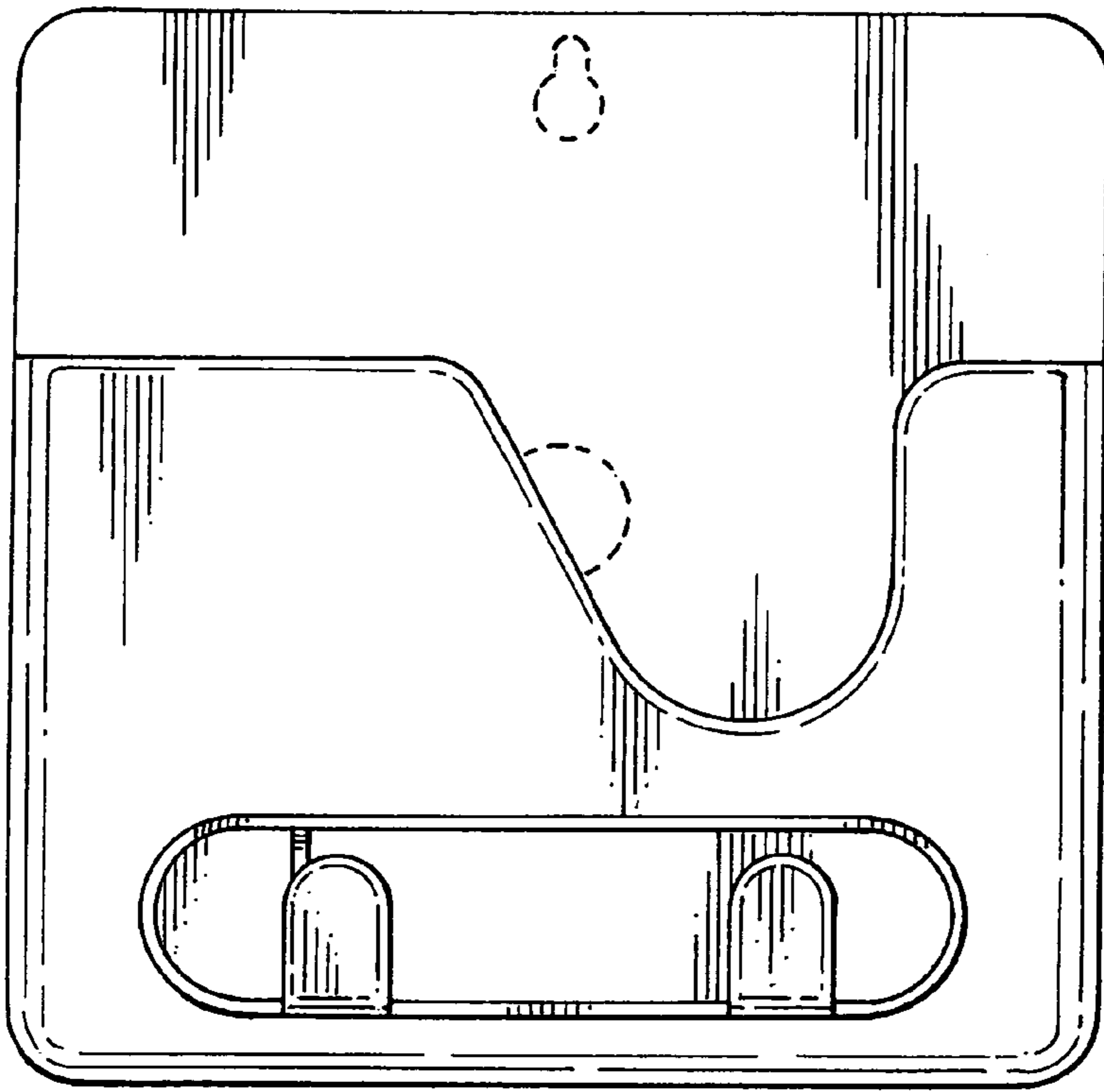


FIG. 1



FIG. 3

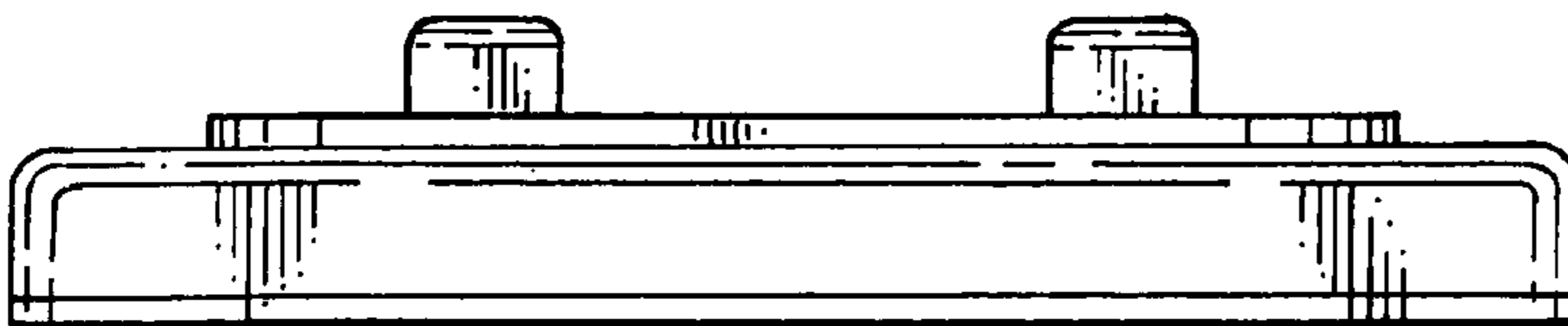


FIG. 2

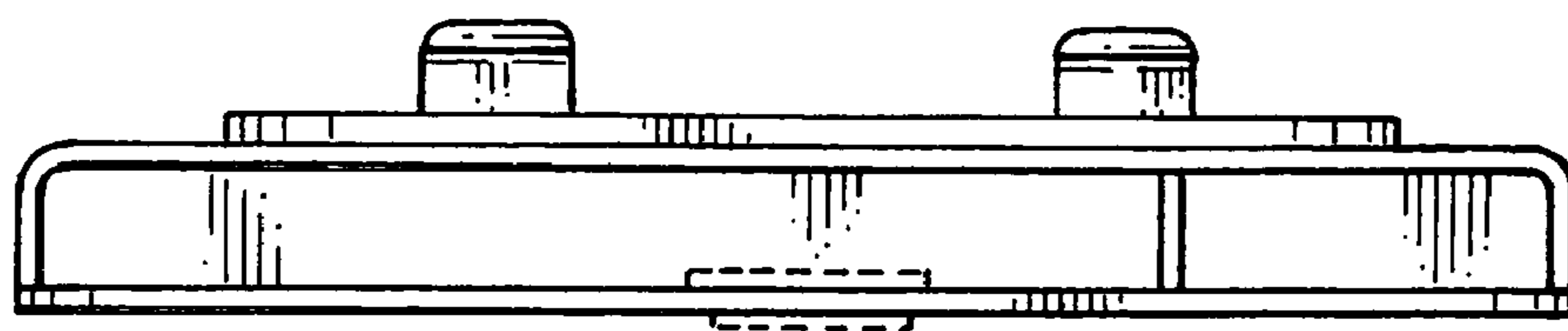


FIG. 5

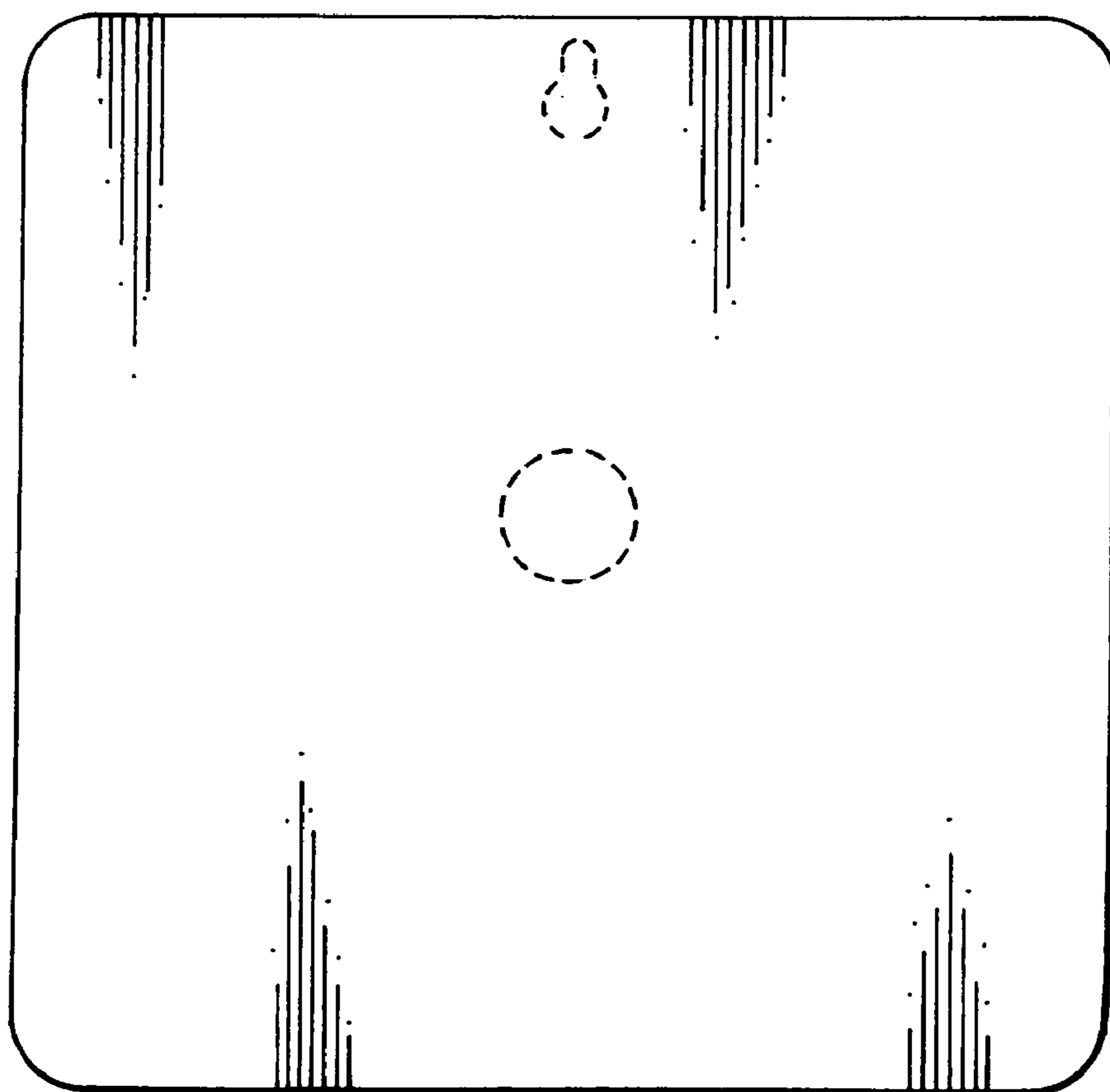


FIG. 4

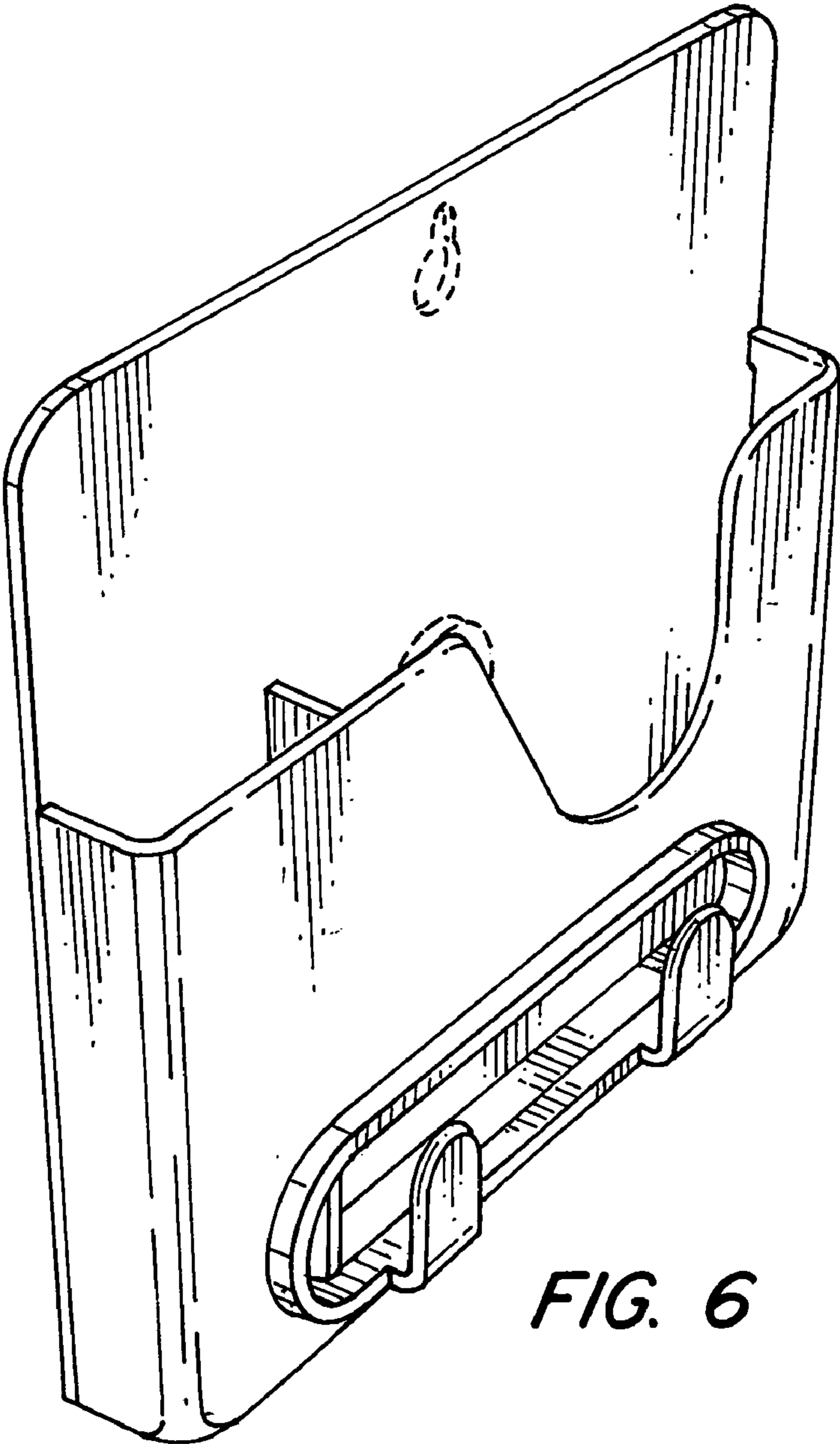


FIG. 6